



US00D833108S

(12) **United States Design Patent** (10) **Patent No.:** **US D833,108 S**  
**Gao** (45) **Date of Patent:** **\*\* Nov. 13, 2018**

(54) **SEPARATE POUCHES TRUNKS**

(71) Applicant: **Yanwei Gao**, Fujian (CN)

(72) Inventor: **Yanwei Gao**, Fujian (CN)

(\*\*) Term: **15 Years**

(21) Appl. No.: **29/626,823**

(22) Filed: **Nov. 20, 2017**

(51) **LOC (11) Cl.** ..... **02-01**

(52) **U.S. Cl.**

USPC ..... **D2/712**

(58) **Field of Classification Search**

USPC ..... D2/711-713, 704, 738; D24/105

CPC .. A41B 9/00; A41B 9/001; A41B 9/02; A41D

7/00; A41D 7/005; A41D 1/00; A41D

1/062; A41D 1/065; A41D 1/067; A41D

1/08

See application file for complete search history.

(56) **References Cited**

U.S. PATENT DOCUMENTS

D646,462 S \* 10/2011 Ellis ..... A41B 9/026

D2/712

D651,377 S \* 1/2012 Weaver ..... D2/712

D735,444 S \* 8/2015 Harris ..... D2/712  
D759,344 S \* 6/2016 Astin ..... D2/712  
D761,519 S \* 7/2016 Astin ..... D2/712  
D762,045 S \* 7/2016 Popp ..... D2/712  
D788,287 S \* 5/2017 Koster ..... D2/713  
D822,342 S \* 7/2018 Maxi ..... D2/712  
2014/0317821 A1\* 10/2014 Berns ..... A61F 6/04  
2/69  
2015/0128958 A1\* 5/2015 Shah ..... A41B 9/026  
128/846  
2017/0280783 A1\* 10/2017 Nouh ..... A41B 9/02

\* cited by examiner

*Primary Examiner* — Robin V Webster

*Assistant Examiner* — J. Thorn, Sr.

(57) **CLAIM**

The ornamental design for a separate pouches trunk, as shown and described.

**DESCRIPTION**

FIG. 1 is a perspective view of a separate pouches trunk showing my new design;

FIG. 2 is a front elevational view thereof;

FIG. 3 is a rear elevational view thereof;

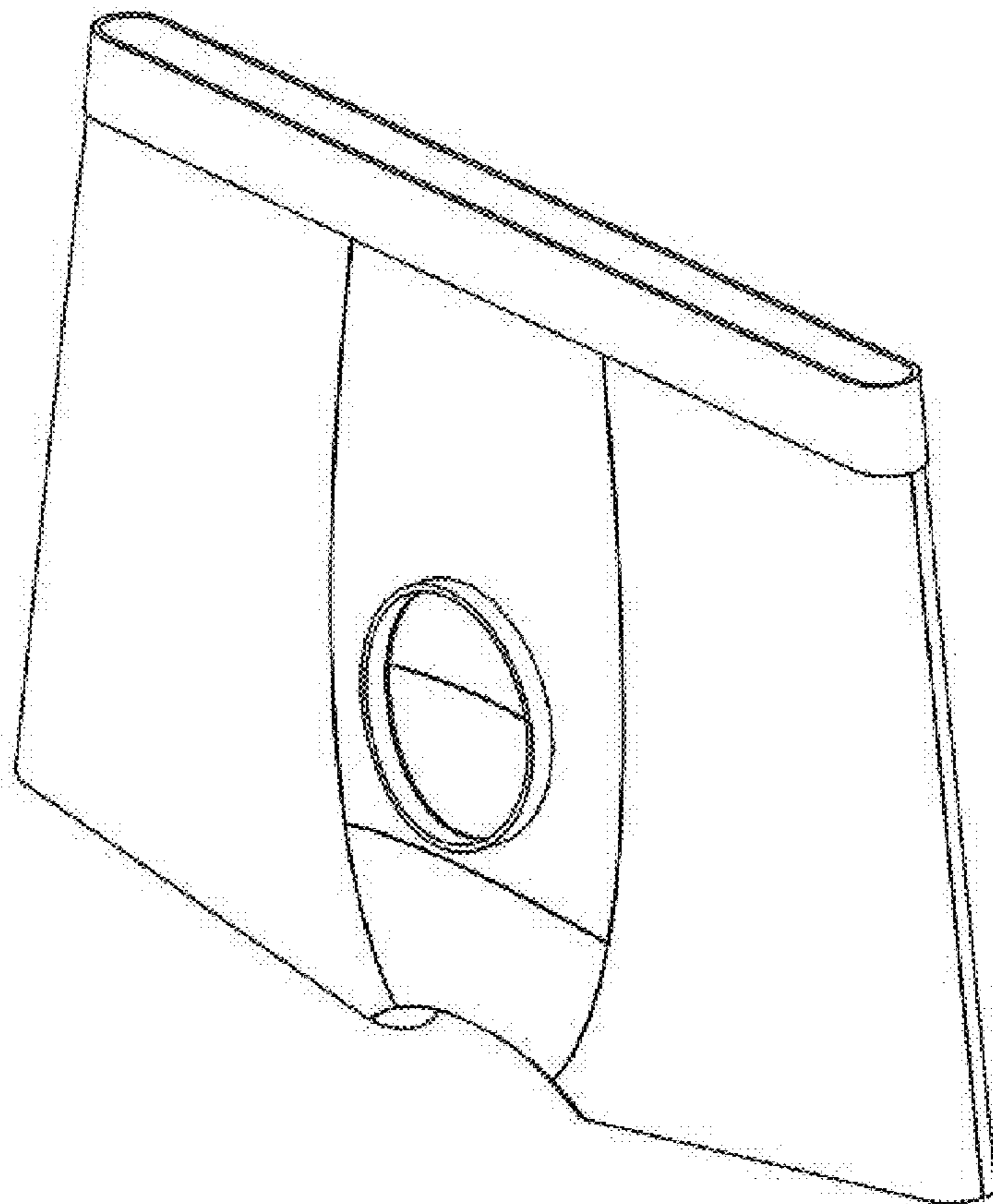
FIG. 4 is a right side view thereof;

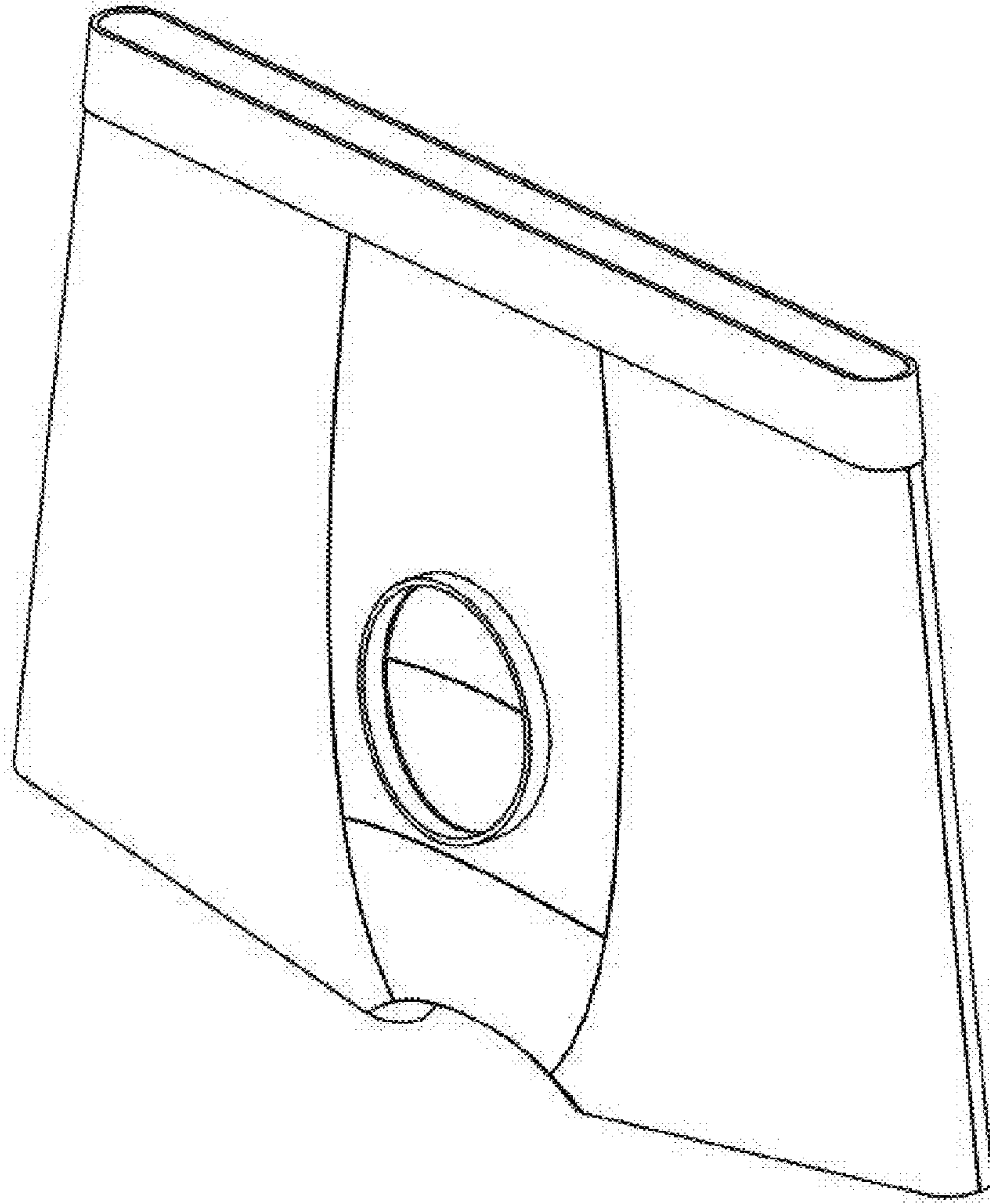
FIG. 5 is a left side view thereof;

FIG. 6 is a bottom plan view thereof; and,

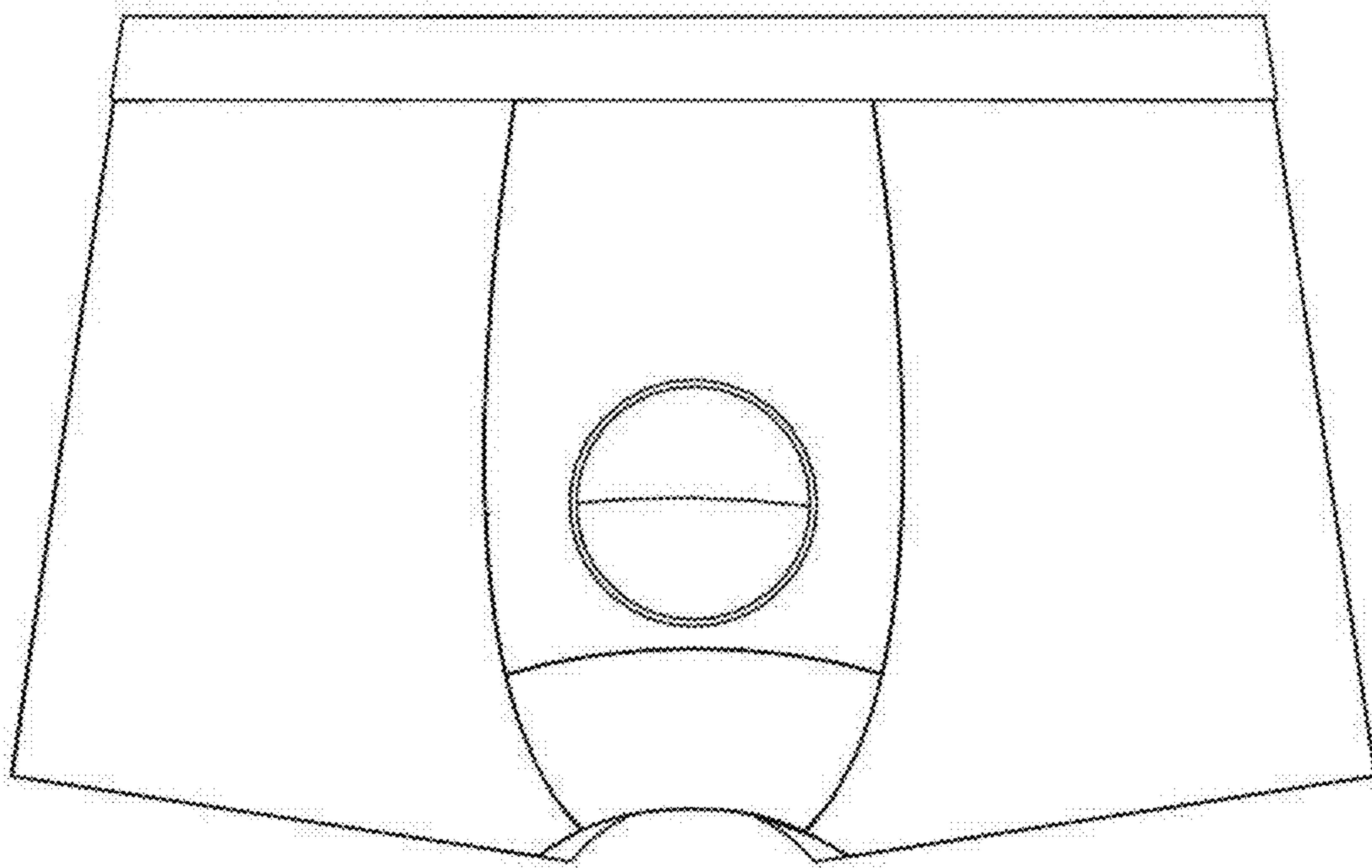
FIG. 7 is a top plan view thereof.

**1 Claim, 7 Drawing Sheets**

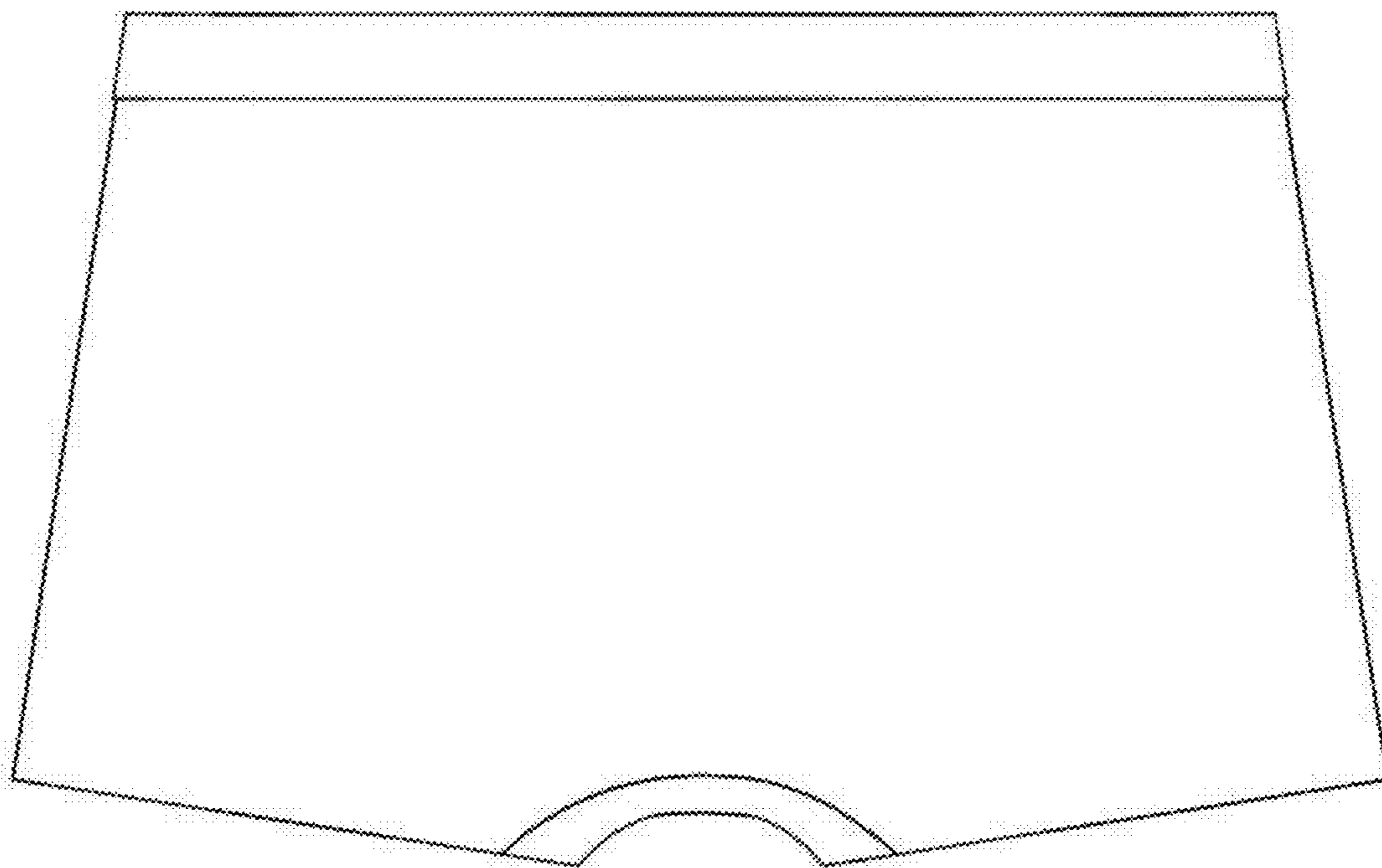




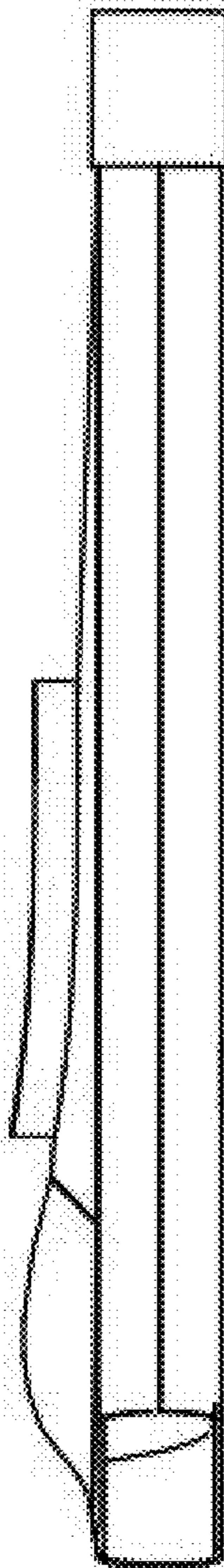
**FIG. 1**



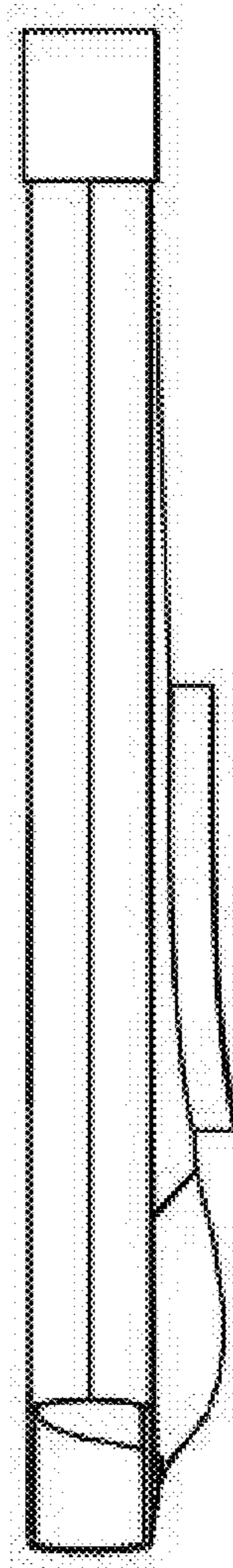
**FIG. 2**



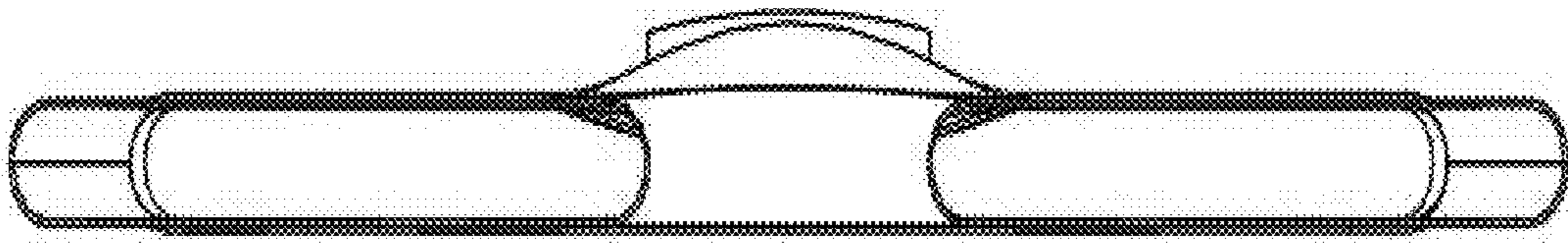
**FIG. 3**



**FIG. 4**

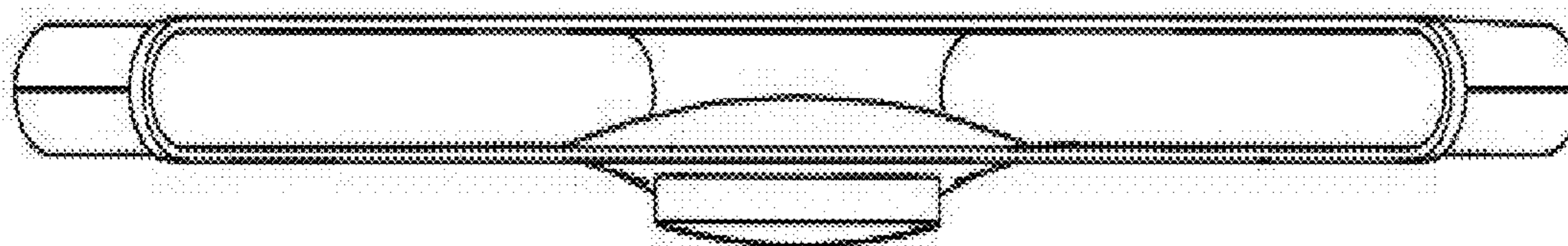


**FIG. 5**



**FIG. 6**





**FIG. 7**