

US00D833105S

(12) **United States Design Patent**
Colquhoun et al.

(10) **Patent No.:** **US D833,105 S**

(45) **Date of Patent:** **** Nov. 13, 2018**

(54) **FOOD PRODUCT**

(71) Applicant: **Mars, Incorporated**, McLean, VA (US)

(72) Inventors: **Duncan Colquhoun**, Bath (GB); **John Macdonald**, Bath (GB); **Matthew Wright**, Bath (GB)

(73) Assignee: **Mars, Incorporated**, McLean, VA (US)

(**) Term: **15 Years**

(21) Appl. No.: **29/587,485**

(22) Filed: **Dec. 13, 2016**

(51) **LOC (11) Cl.** **01-01**

(52) **U.S. Cl.**

USPC **D1/124**

(58) **Field of Classification Search**

USPC D1/100-130, 199; 426/5, 76, 87, 92, 94,
426/95, 99, 101, 103, 104, 108, 134,
426/138-139, 143, 144, 279, 282, 283,
426/391, 514, 549, 559, 560, 660, 808;
D9/430, 439, 754; 521/50; D13/110;
220/574; D8/83; D21/487; D26/37, 38,
D26/46, 49; D28/18; D2/965
CPC A21D 13/0029; A21D 13/0074; A21D
13/0022; A21D 13/0006; A23L 1/1641;
A23L 1/005

See application file for complete search history.

(56) **References Cited**

U.S. PATENT DOCUMENTS

1,835,719 A * 12/1931 Parr A23G 9/50
426/134
D97,832 S * 12/1935 Balton D1/119
D97,890 S * 12/1935 Ballard D28/18
4,338,765 A * 7/1982 Ohmori B65B 3/00
53/289

4,440,835 A * 4/1984 Vignaud H01M 4/8626
429/522
5,495,859 A * 3/1996 Bowen A24F 13/00
131/175
D375,822 S * 11/1996 Lessig, III D32/15
5,572,800 A * 11/1996 West A45D 20/12
34/390
D522,866 S * 6/2006 Bakic D9/521
D553,773 S * 10/2007 Campbell D26/37
D725,056 S * 3/2015 Park D14/125
D743,943 S * 11/2015 Kim D14/218
D782,734 S * 3/2017 Sutter D28/18

* cited by examiner

Primary Examiner — Katie Jane Stofko

(74) *Attorney, Agent, or Firm* — Greenberg Traurig, LLP

(57) **CLAIM**

The ornamental design for a food product, as shown and described.

DESCRIPTION

FIG. 1 is a front, left, top perspective view of a food product showing our new design;

FIG. 2 is a front elevation view of the food product shown in FIG. 1;

FIG. 3 is a rear elevation view of the food product shown in FIG. 1;

FIG. 4 is a left side elevation view of the food product shown in FIG. 1;

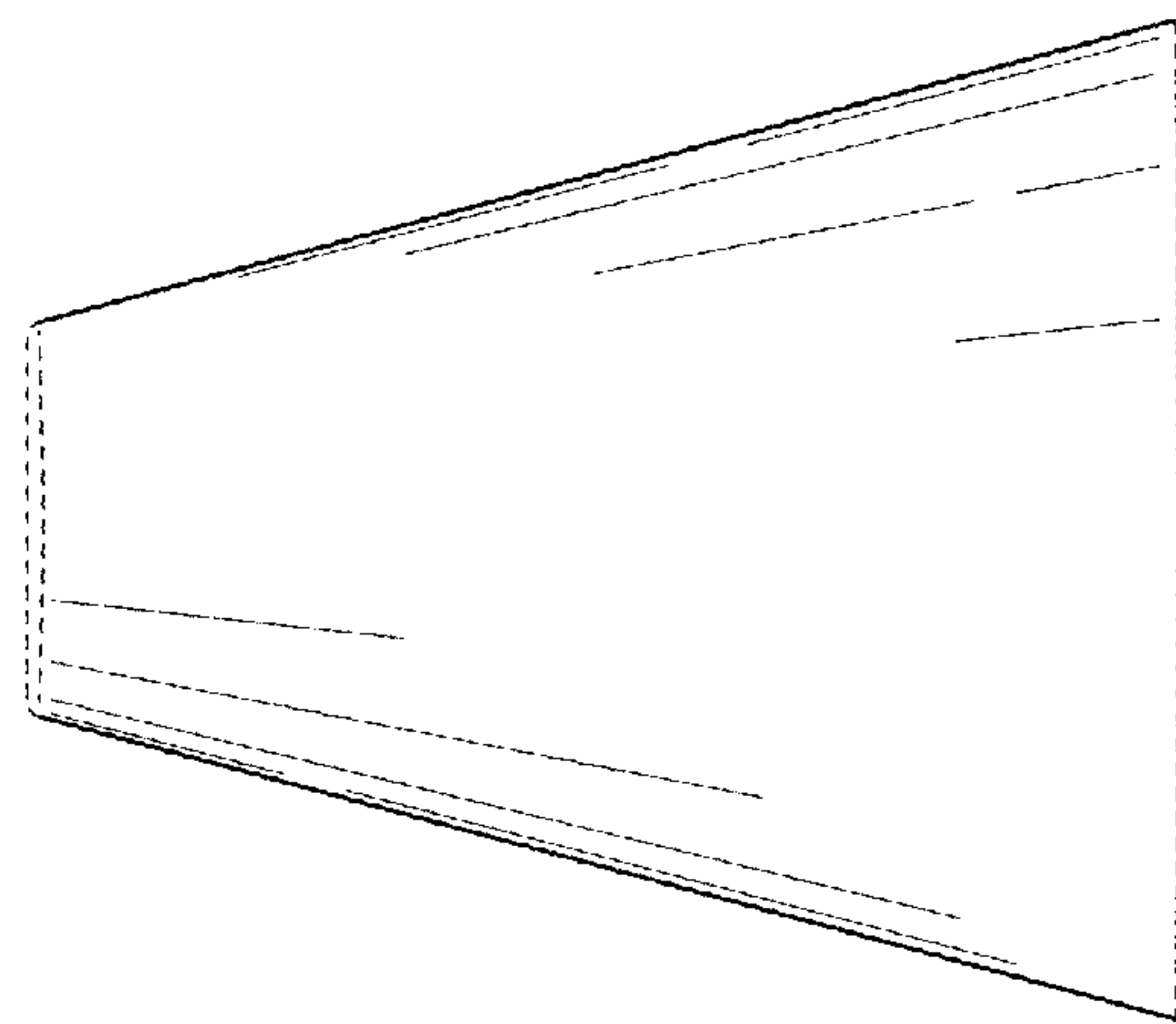
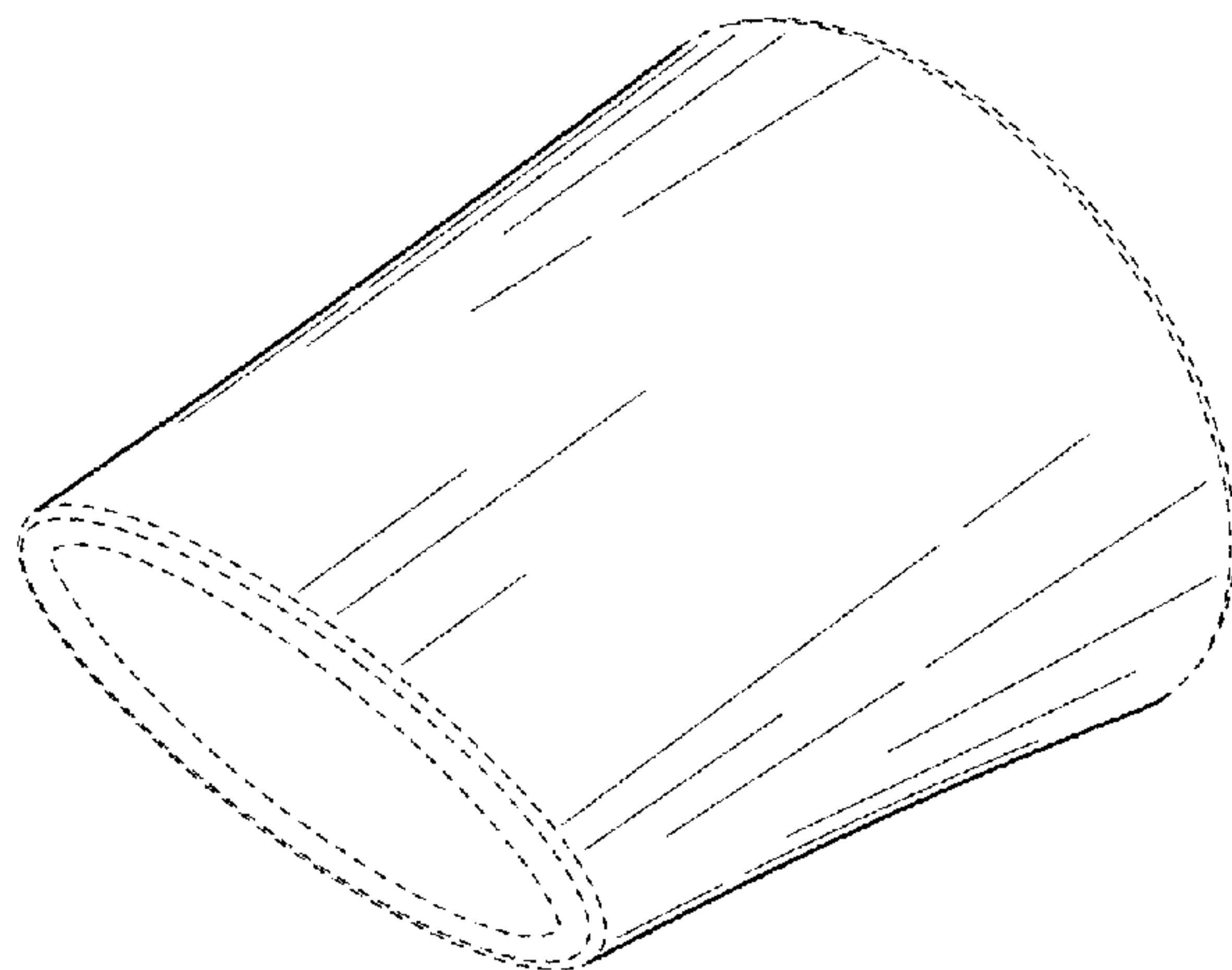
FIG. 5 is a right side elevation view of the food product shown in FIG. 1;

FIG. 6 is a top plan view of the food product shown in FIG. 1; and,

FIG. 7 is a bottom plan view of the food product shown in FIG. 1.

The broken lines in FIGS. 1-7 illustrate portions of the food product that form no part of the claimed design.

1 Claim, 2 Drawing Sheets



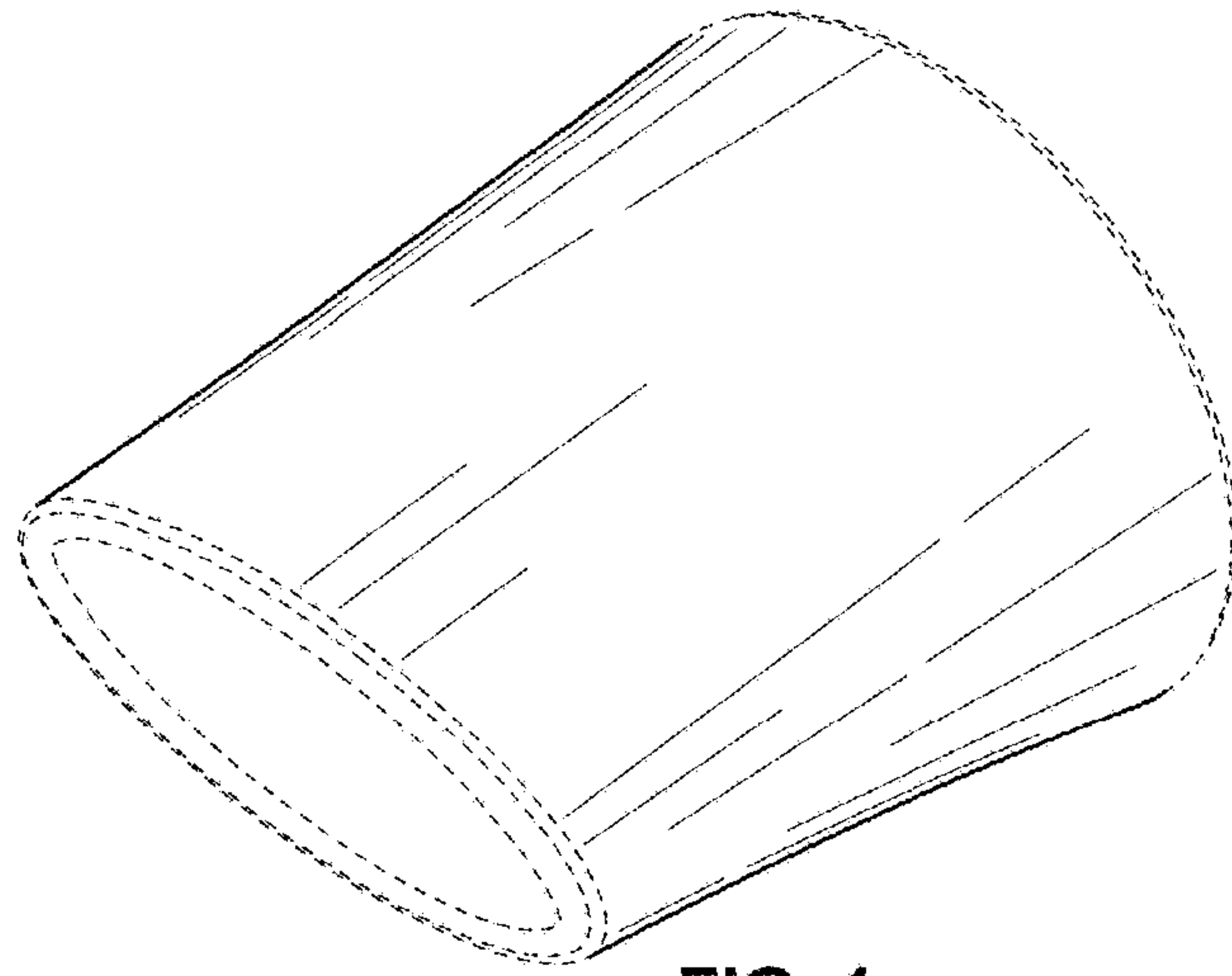


FIG. 1

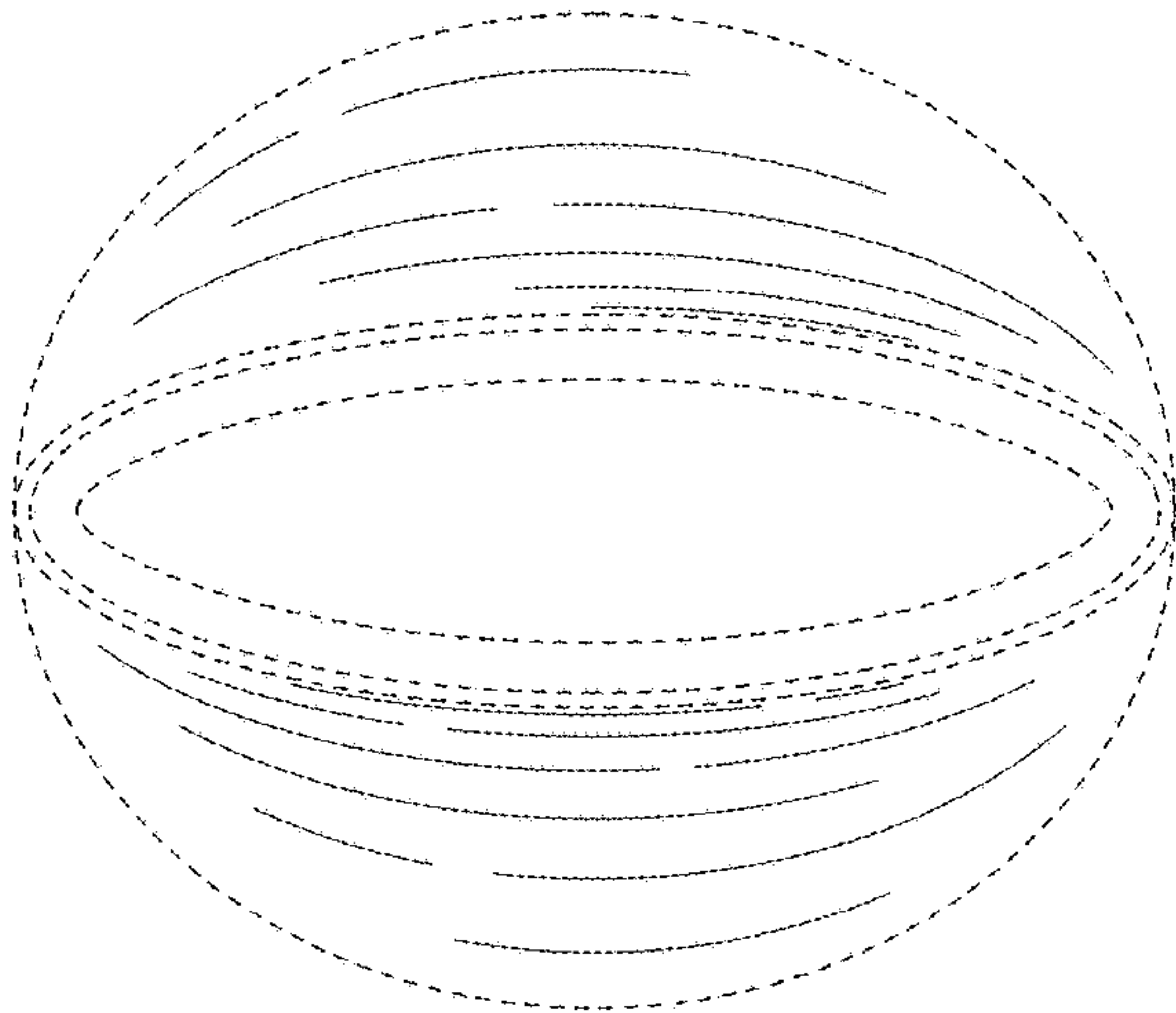


FIG. 2

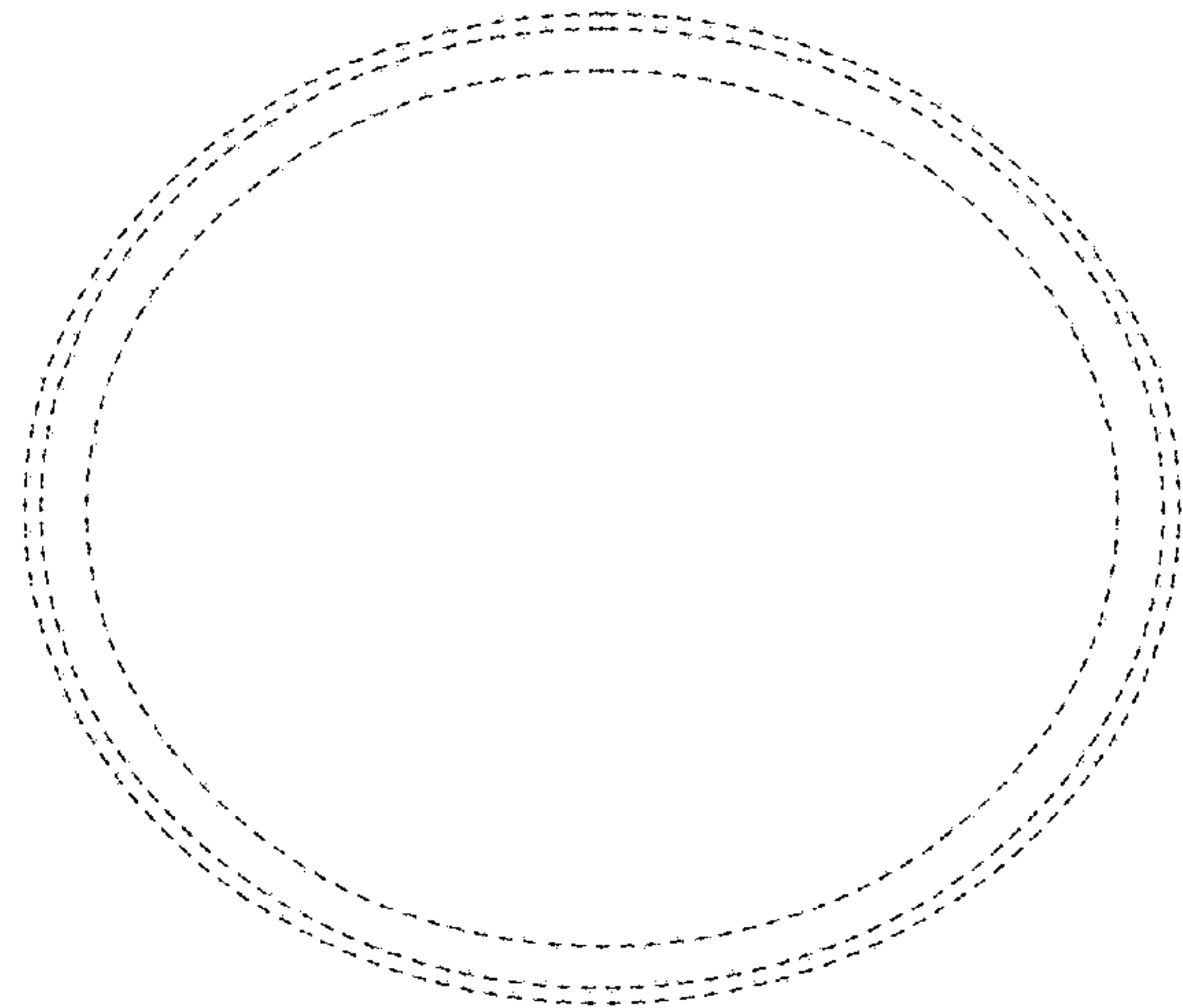


FIG. 3

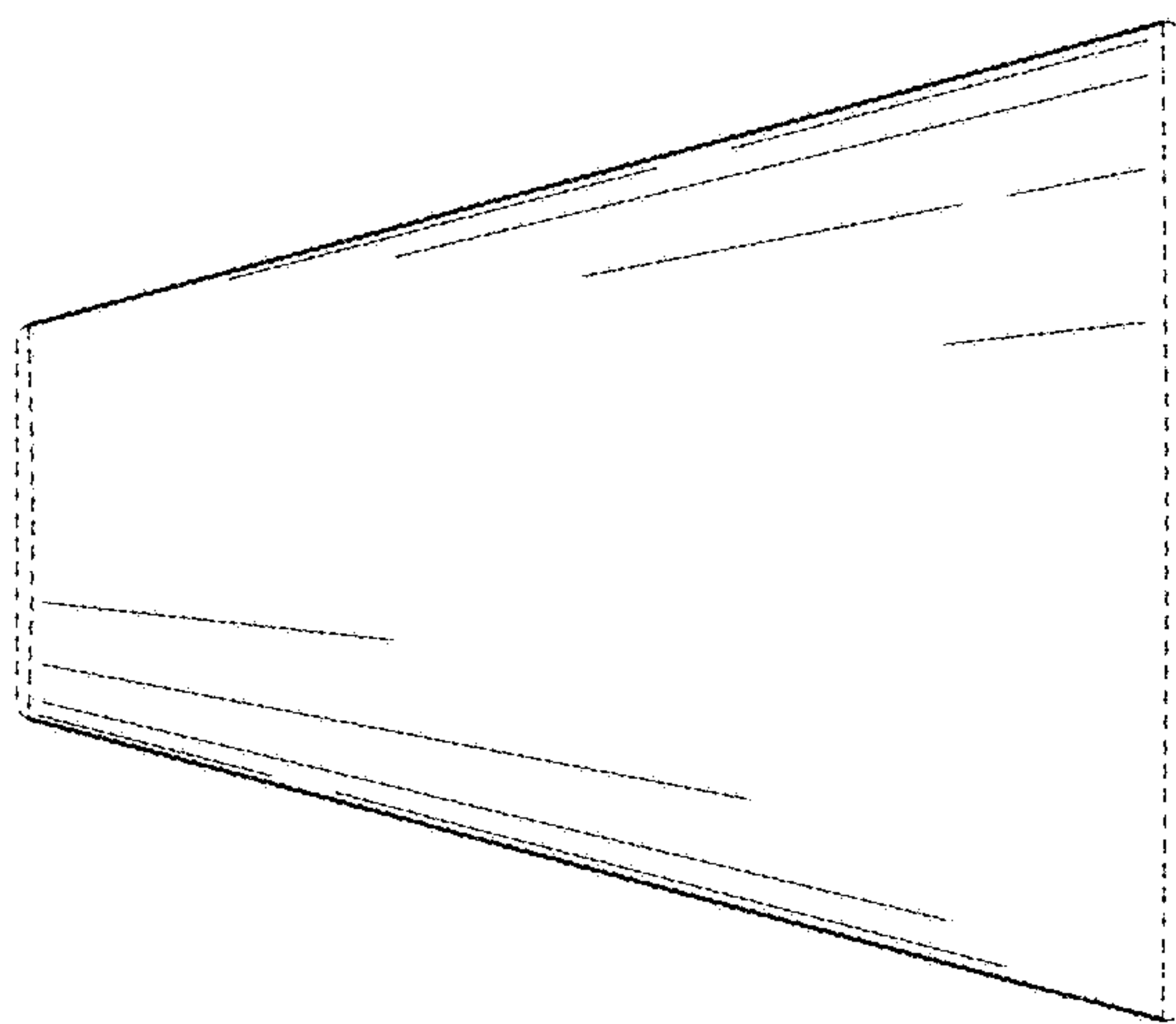


FIG. 4

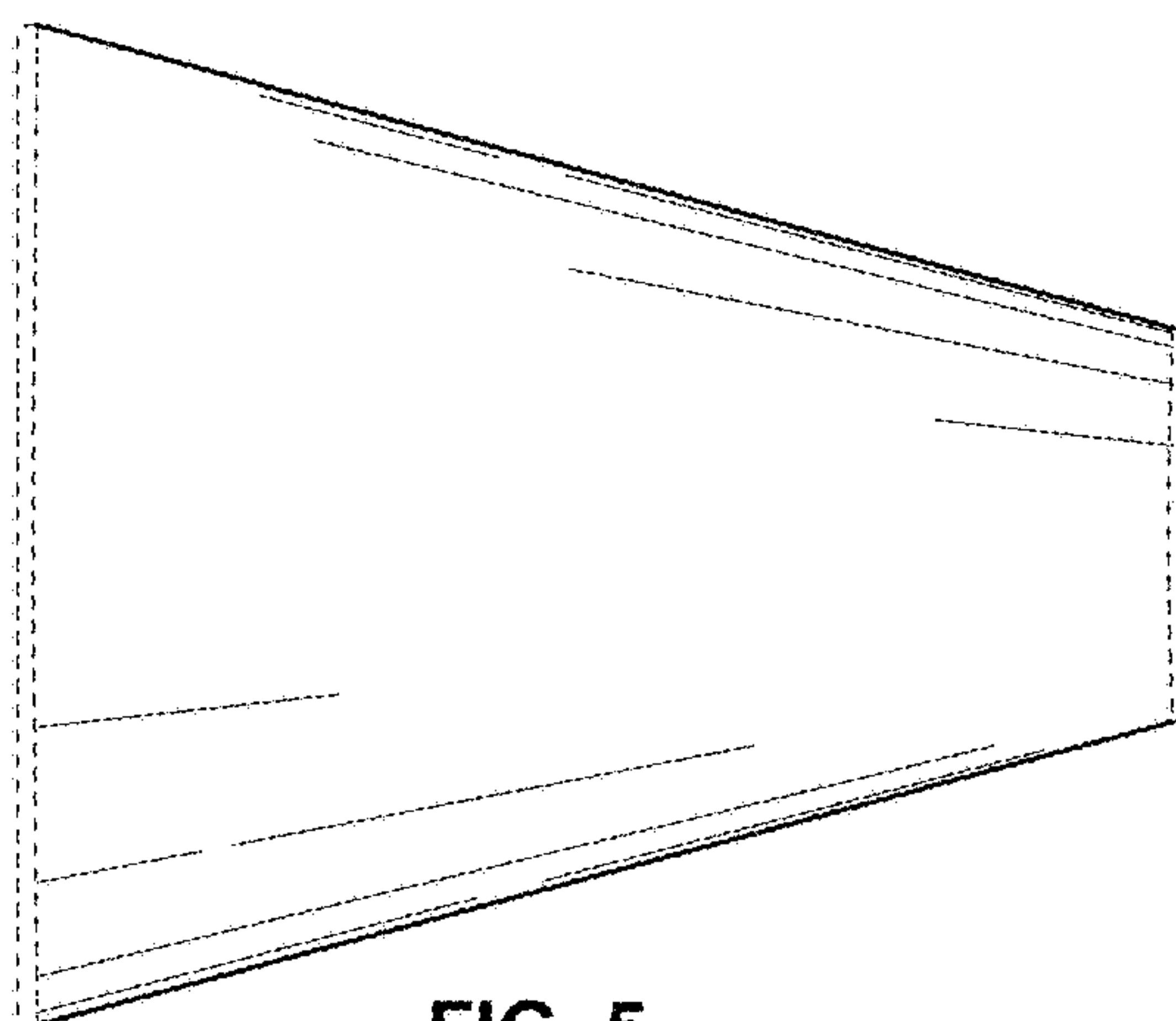


FIG. 5

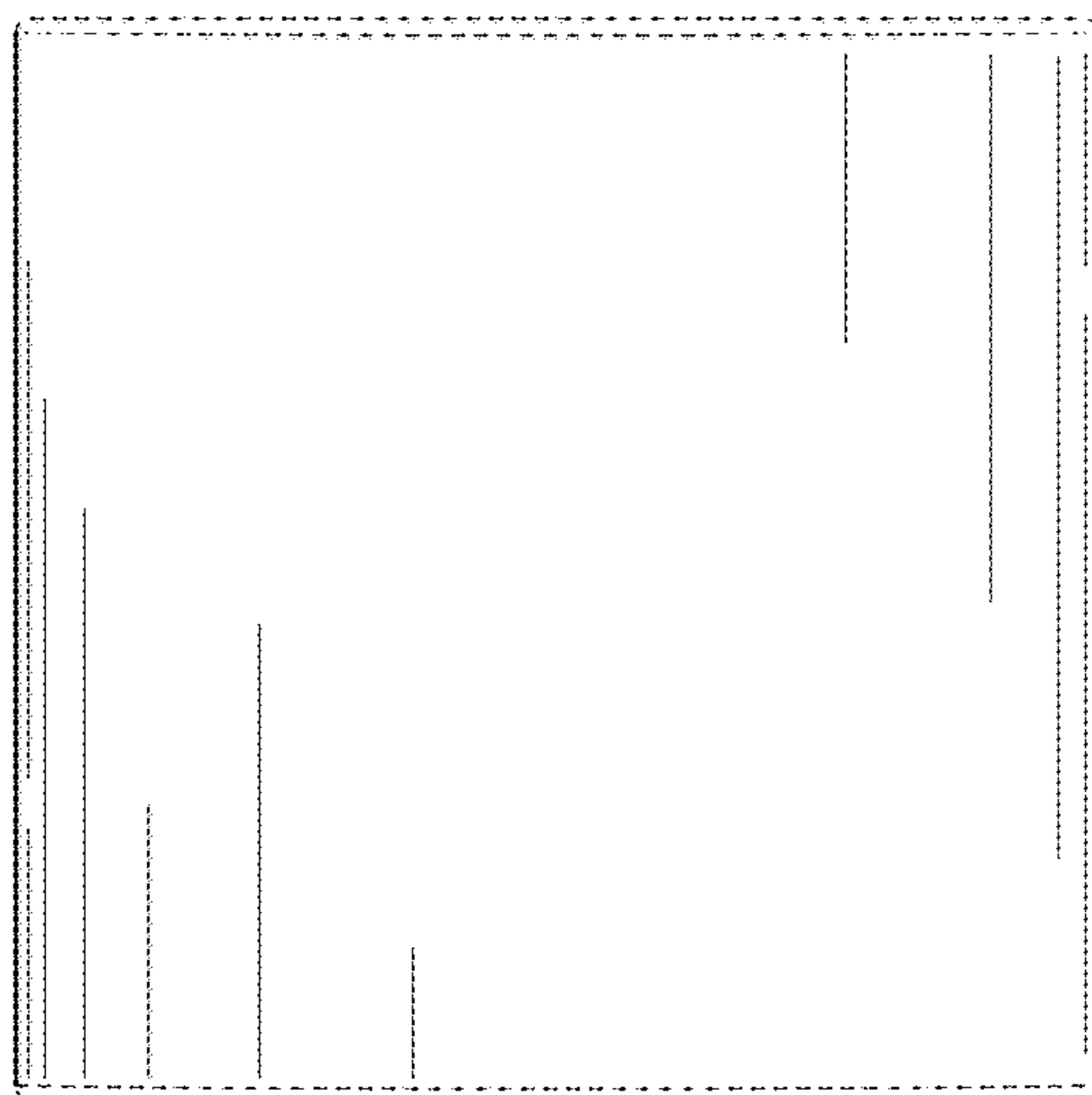


FIG. 6

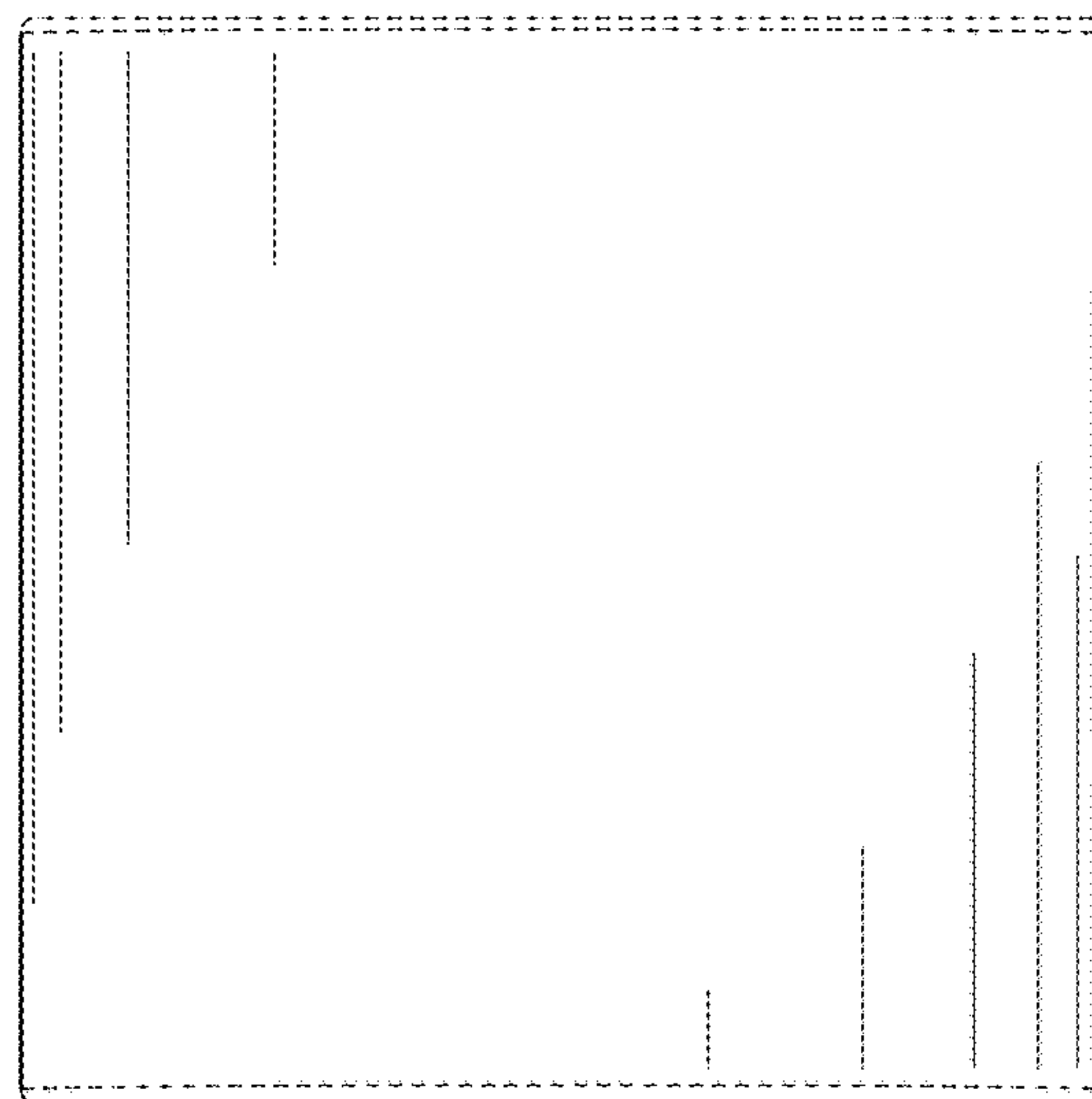


FIG. 7