



US00D833103S

(12) **United States Design Patent** (10) **Patent No.:** **US D833,103 S**  
**Beavis** (45) **Date of Patent:** **\*\* Nov. 6, 2018**

(54) **CONTAINER** D358,531 S \* 5/1995 Cousins ..... D7/612  
 5,670,195 A \* 9/1997 Palmer ..... A22C 7/0046  
 100/910  
 (71) Applicant: **FOODCAP INTERNATIONAL LIMITED**, Auckland (NZ) D393,128 S \* 3/1998 Maddux ..... D34/14  
 6,761,279 B1 \* 7/2004 Martin ..... B65D 43/169  
 220/254.3  
 (72) Inventor: **Julian Beavis**, Auckland (NZ) D524,007 S \* 6/2006 Palmer ..... D34/19  
 D600,915 S \* 9/2009 Vuillot ..... D3/304  
 (73) Assignee: **FOODCAP INTERNATIONAL LIMITED**, Auckland (NZ) 9,387,962 B2 \* 7/2016 Mercado ..... B65D 43/22  
 2004/0118742 A1 \* 6/2004 Shuert ..... B65D 19/004  
 206/600  
 (\*\*) Term: **15 Years** 2005/0077805 A1 \* 4/2005 Dalebout ..... A47B 31/00  
 312/249.11  
 (21) Appl. No.: **29/549,951** 2008/0110902 A1 \* 5/2008 Palmer ..... A22C 17/0093  
 220/592.02

(Continued)

(30) **Foreign Application Priority Data**  
 Jun. 29, 2015 (NZ) ..... 420384  
 (51) **LOC (11) Cl.** ..... **12-02**  
 (52) **U.S. Cl.**  
 USPC ..... **D34/19**  
 (58) **Field of Classification Search**  
 USPC ..... D3/201, 203.1, 203.2, 203.6, 203.7,  
 D3/203.8, 202, 204, 205, 206, 247, 272,  
 D3/273, 276, 281, 282, 292, 294, 315,  
 D3/901, 903, 904, 905; D9/600, 643,  
 D9/644, 645, 651, 655, 657, 420, 423,  
 D9/424, 425, 430, 431, 432, 443;  
 D14/480.1, 480.2, 480.3, 480.5; D34/17,  
 D34/19; D7/612, 613, 615  
 CPC ..... A47B 31/00; A22C 7/0046; B65F 1/122;  
 B65D 19/004; F25D 3/08; A47G 23/04;  
 A47G 19/027; A47G 19/127; A47G  
 19/2288; A47G 19/285; A47J 41/00  
 See application file for complete search history.

(56) **References Cited**  
U.S. PATENT DOCUMENTS

D170,562 S \* 10/1953 Tupper ..... D7/615  
D251,968 S \* 5/1979 Tucky ..... D34/19

**OTHER PUBLICATIONS**

Youtube.com. "Foodcap DVD." Uploaded Feb. 8, 2009. Retrieved Dec. 13, 2016. ([https://www.youtube.com/watch?v=sGPLmTVKd\\_k](https://www.youtube.com/watch?v=sGPLmTVKd_k))\*

*Primary Examiner* — Susan E Krakower  
*Assistant Examiner* — Jerry Shiuan-Hua Hsu  
(74) *Attorney, Agent, or Firm* — Birch, Stewart, Kolasch & Birch, LLP

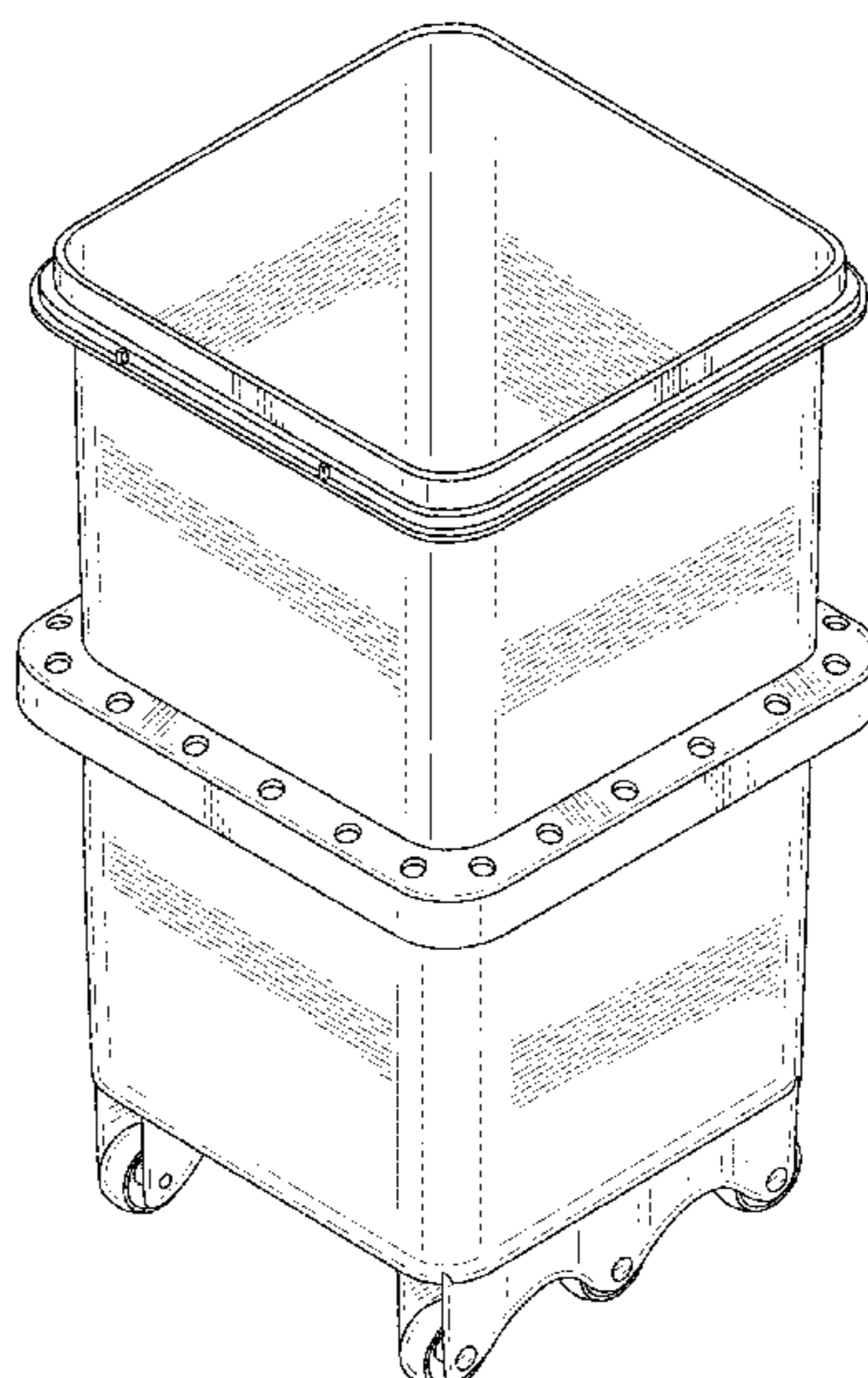
(57) **CLAIM**

The ornamental design for a container, as shown and described.

**DESCRIPTION**

FIG. 1 is a top perspective view of for a container showing my new design;  
 FIG. 2 is a front view thereof, the rear view being the same;  
 FIG. 3 is a top view thereof;  
 FIG. 4 is a bottom view thereof;  
 FIG. 5 is a left side view thereof, the right side being the same; and,  
 FIG. 6 is a bottom perspective view.

**1 Claim, 5 Drawing Sheets**



(56)

**References Cited**

U.S. PATENT DOCUMENTS

2009/0063166 A1 \* 3/2009 Palmer ..... A47F 5/06  
705/5

\* cited by examiner

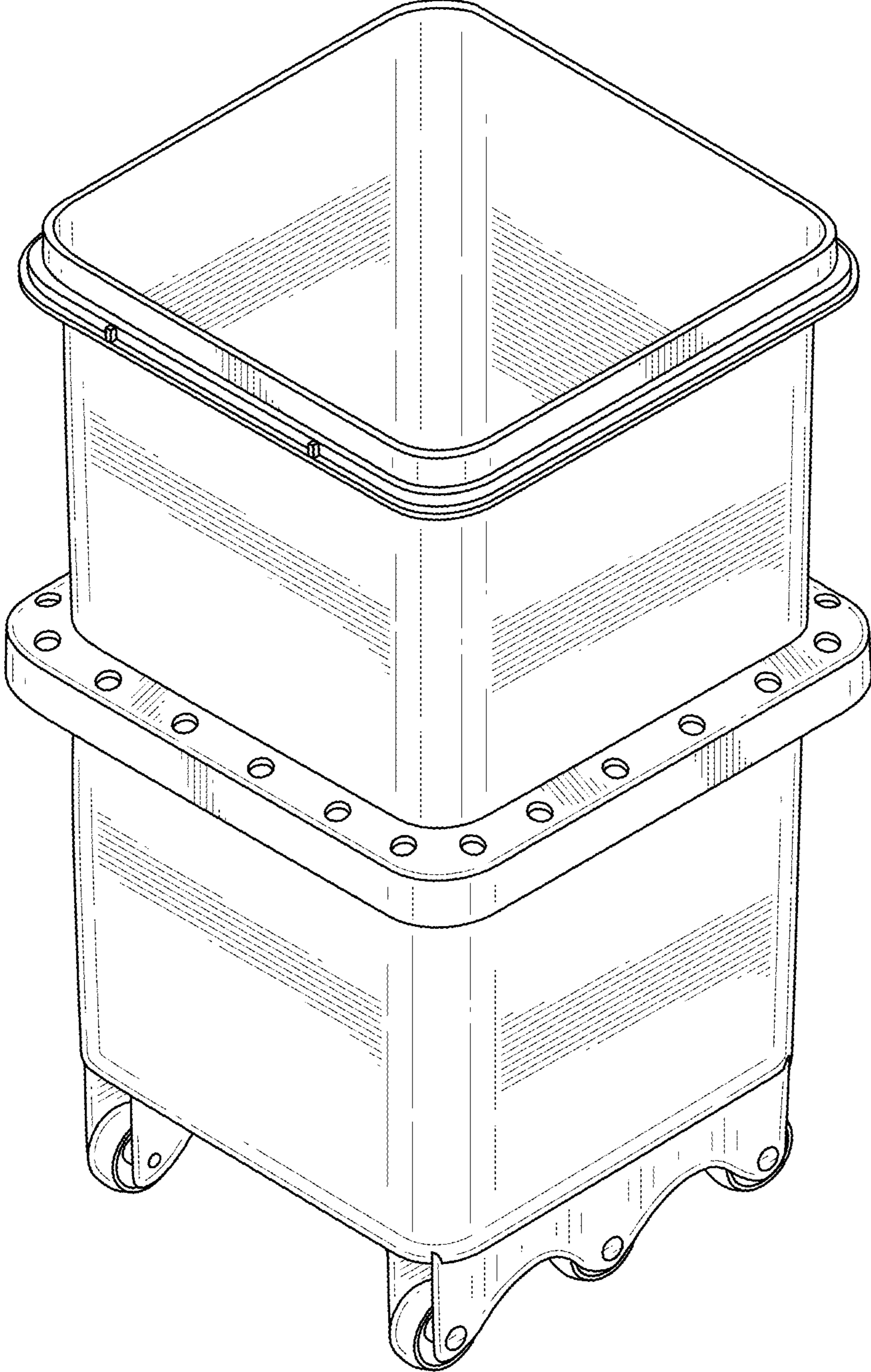


FIG.1

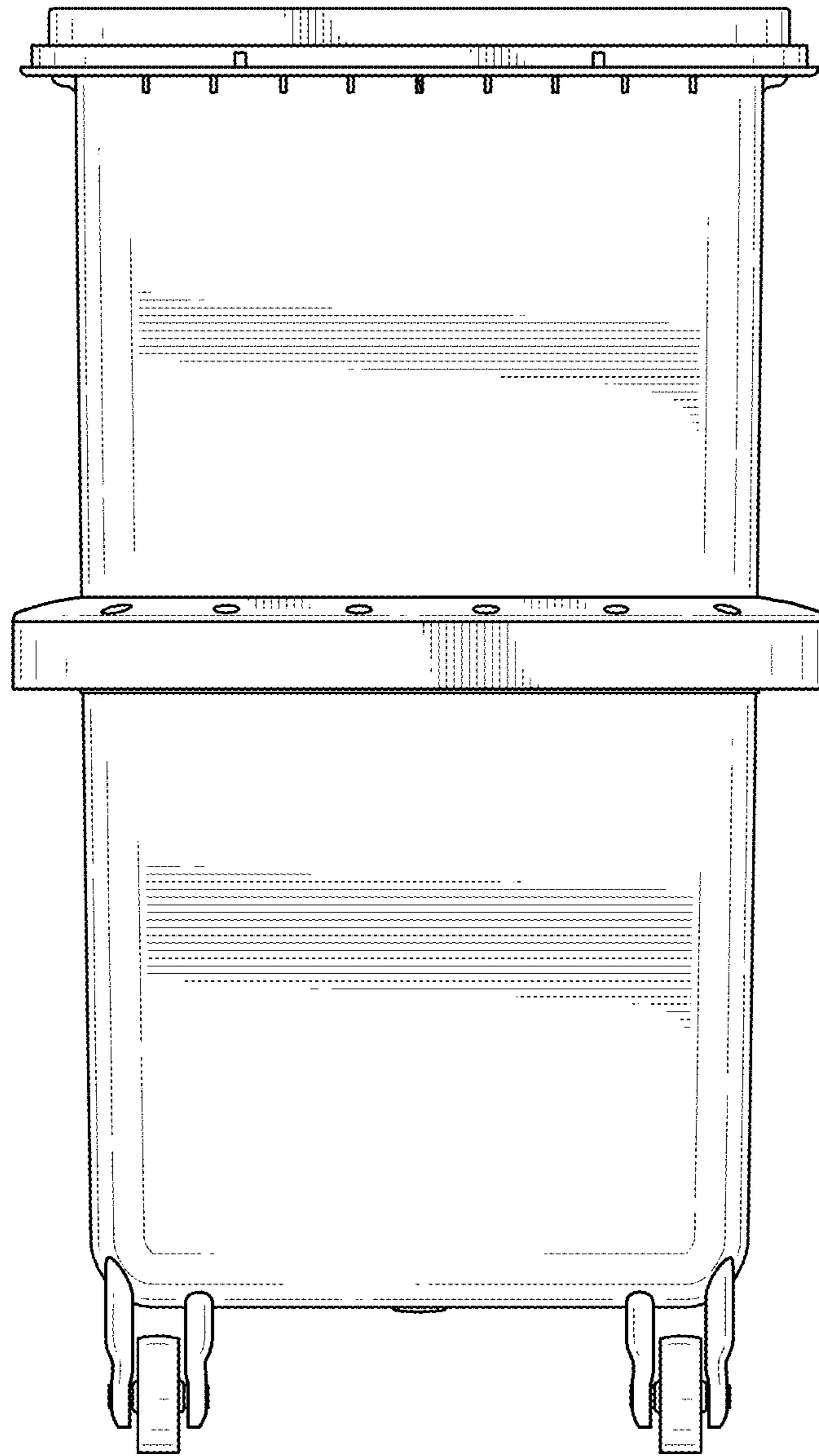


FIG.2

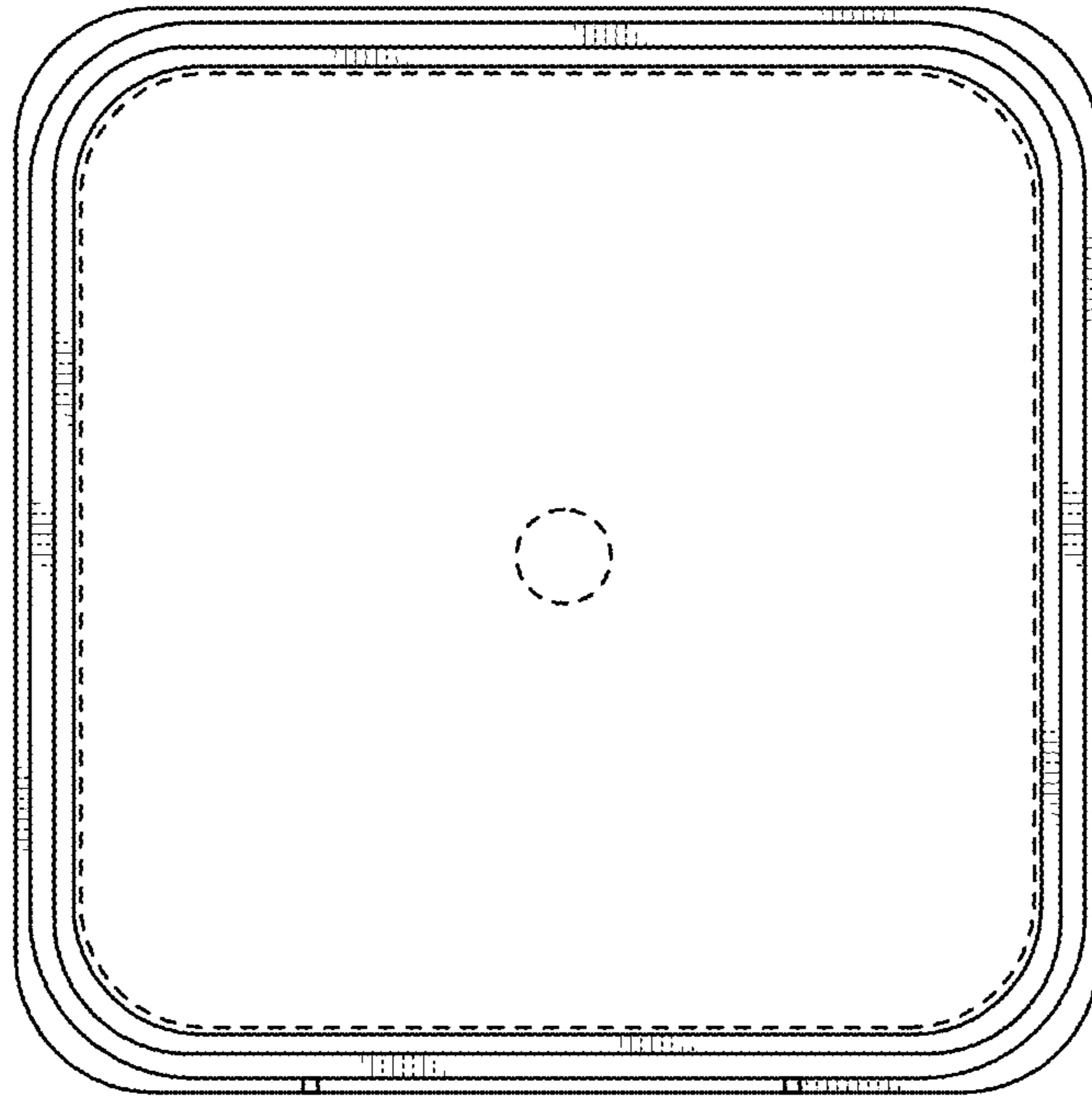


FIG. 3

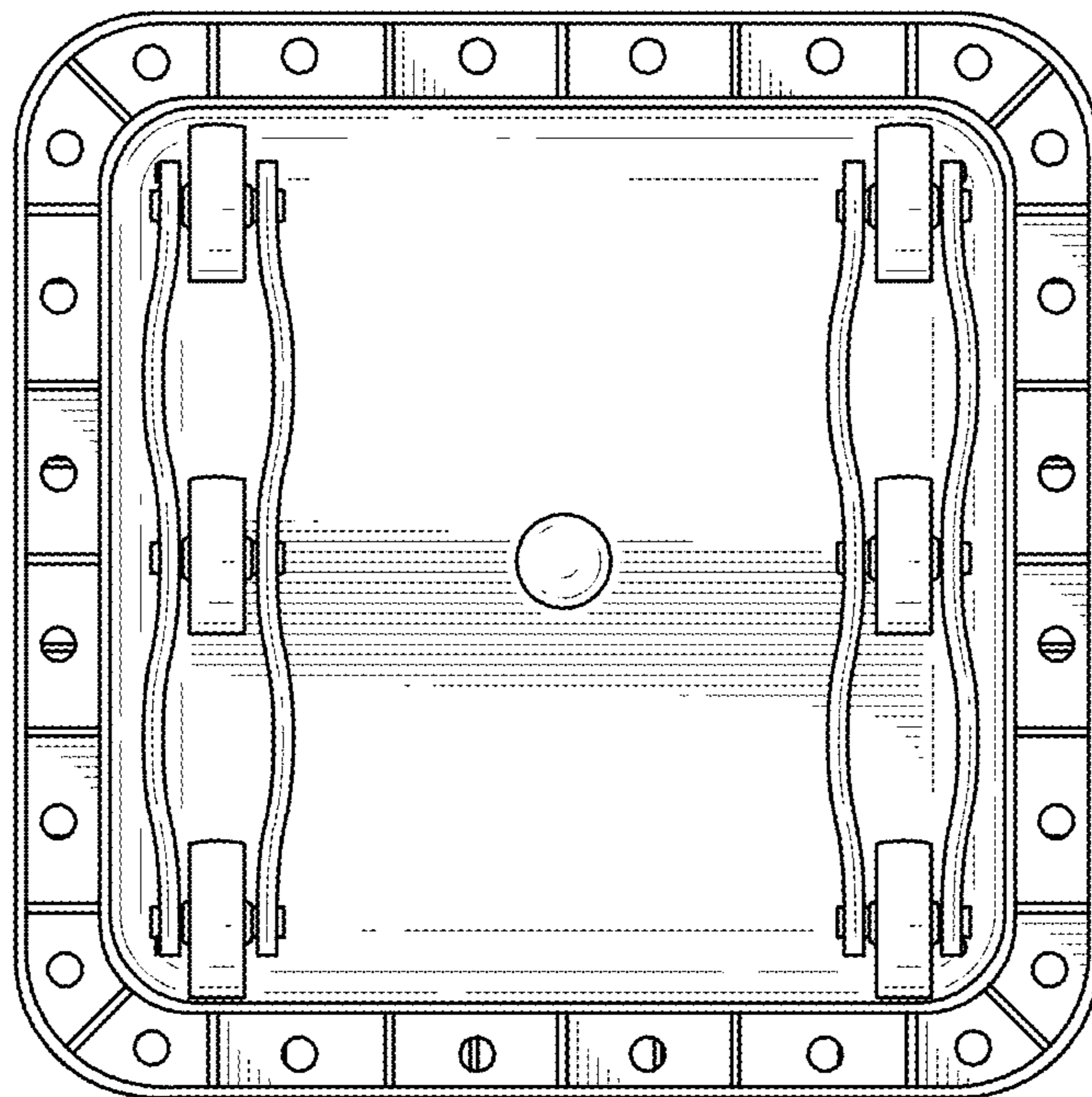


FIG. 4

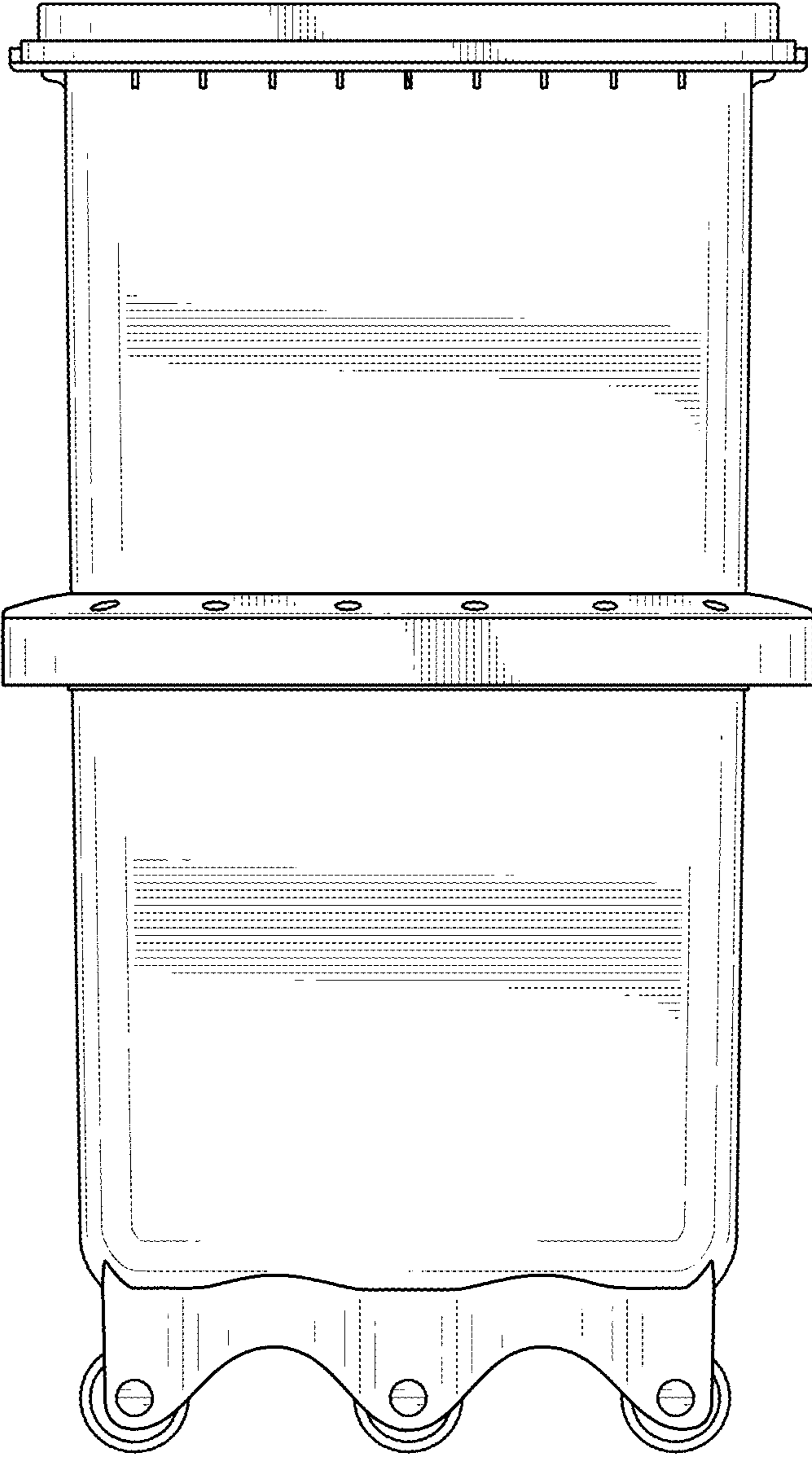


FIG.5

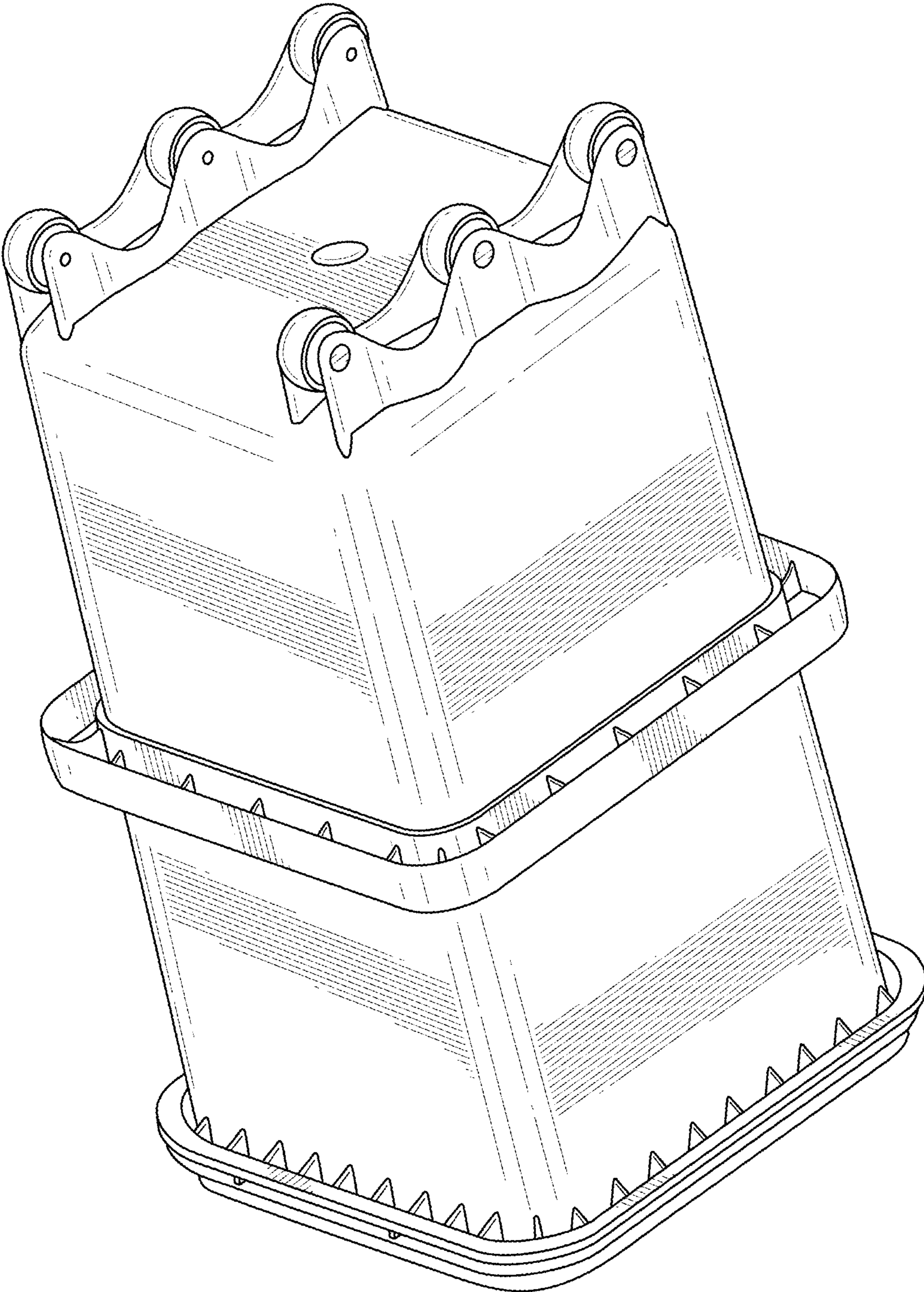


FIG.6