



US00D833102S

(12) **United States Design Patent**
Liao et al.

(10) **Patent No.:** **US D833,102 S**

(45) **Date of Patent:** **** Nov. 6, 2018**

(54) **CART**

D566,925 S * 4/2008 Wu D34/12
D810,378 S * 2/2018 Walter D34/12

(71) Applicants: **Ying-Chieh Liao**, Taichung (TW);
Yu-Kuo Liao, Taichung (TW)

* cited by examiner

(72) Inventors: **Ying-Chieh Liao**, Taichung (TW);
Yu-Kuo Liao, Taichung (TW)

Primary Examiner — Cynthia Ramirez

(74) *Attorney, Agent, or Firm* — Muncy, Geissler, Olds & Lowe, P.C.

(**) Term: **15 Years**

(21) Appl. No.: **29/604,049**

(57) **CLAIM**

We claim the ornamental design for a cart, as shown and described.

(22) Filed: **May 15, 2017**

(51) **LOC (11) Cl.** **12-02**

(52) **U.S. Cl.**

USPC **D34/12**

(58) **Field of Classification Search**

USPC D34/12-27

CPC .. B62B 3/00; B62B 3/02; B62B 3/002; B62B
3/14; B62B 3/001; B62B 3/022; B62B
3/027; B62B 3/12; B62B 3/005; B62B
3/1404

See application file for complete search history.

DESCRIPTION

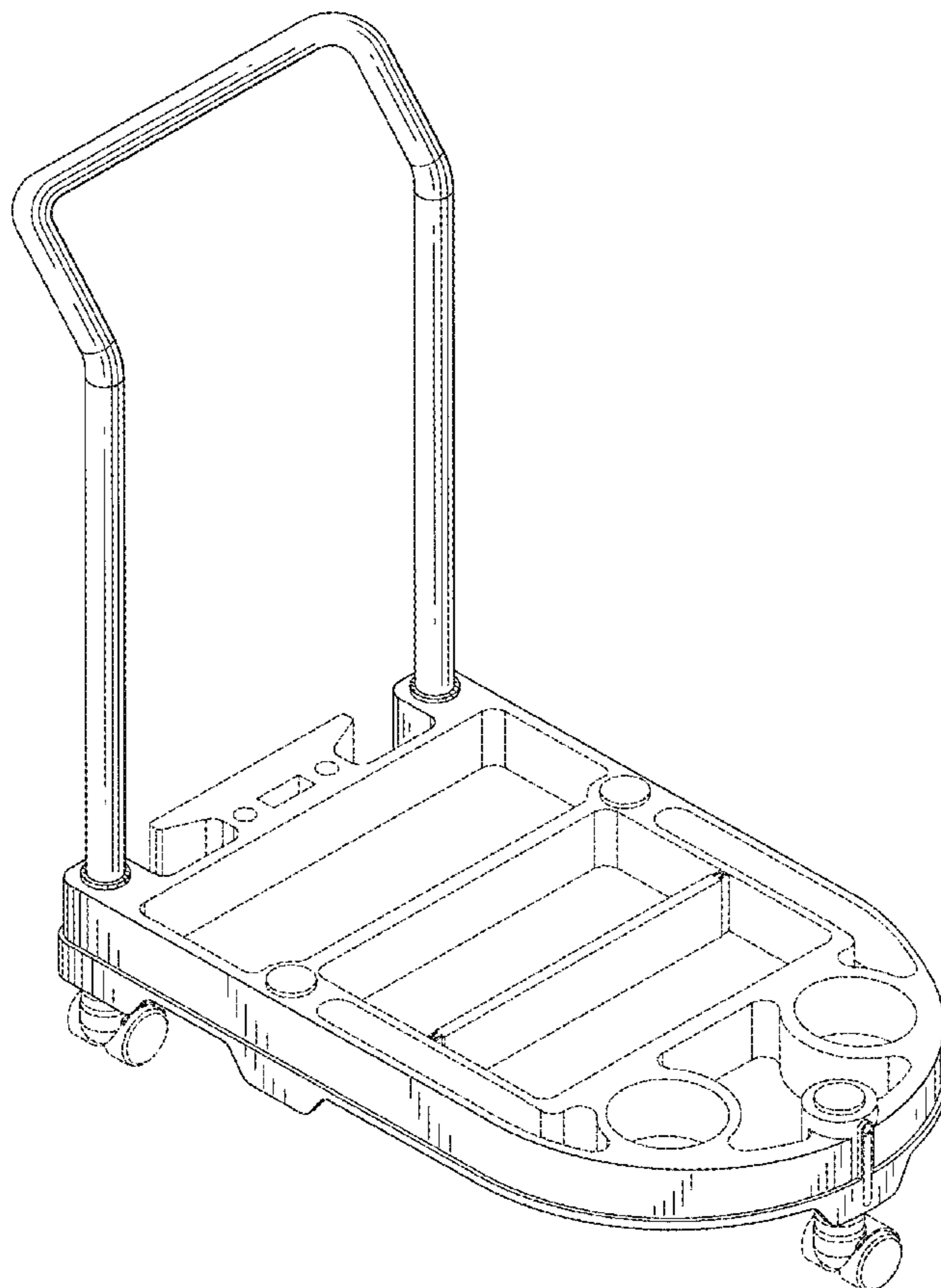
FIG. 1 is a front, right, top perspective view of a cart showing our new design;
FIG. 2 is a front elevational view thereof;
FIG. 3 is a rear elevational view thereof;
FIG. 4 is a left side view thereof;
FIG. 5 is a right side view thereof;
FIG. 6 is a top plan view thereof;
FIG. 7 is a bottom plan view thereof; and,
FIG. 8 is a rear, left, top perspective view.
The broken lines in the drawings illustrate portions of the cart which form no part of the claimed design.

(56) **References Cited**

U.S. PATENT DOCUMENTS

D304,111 S * 10/1989 Mehalick D34/12

1 Claim, 7 Drawing Sheets



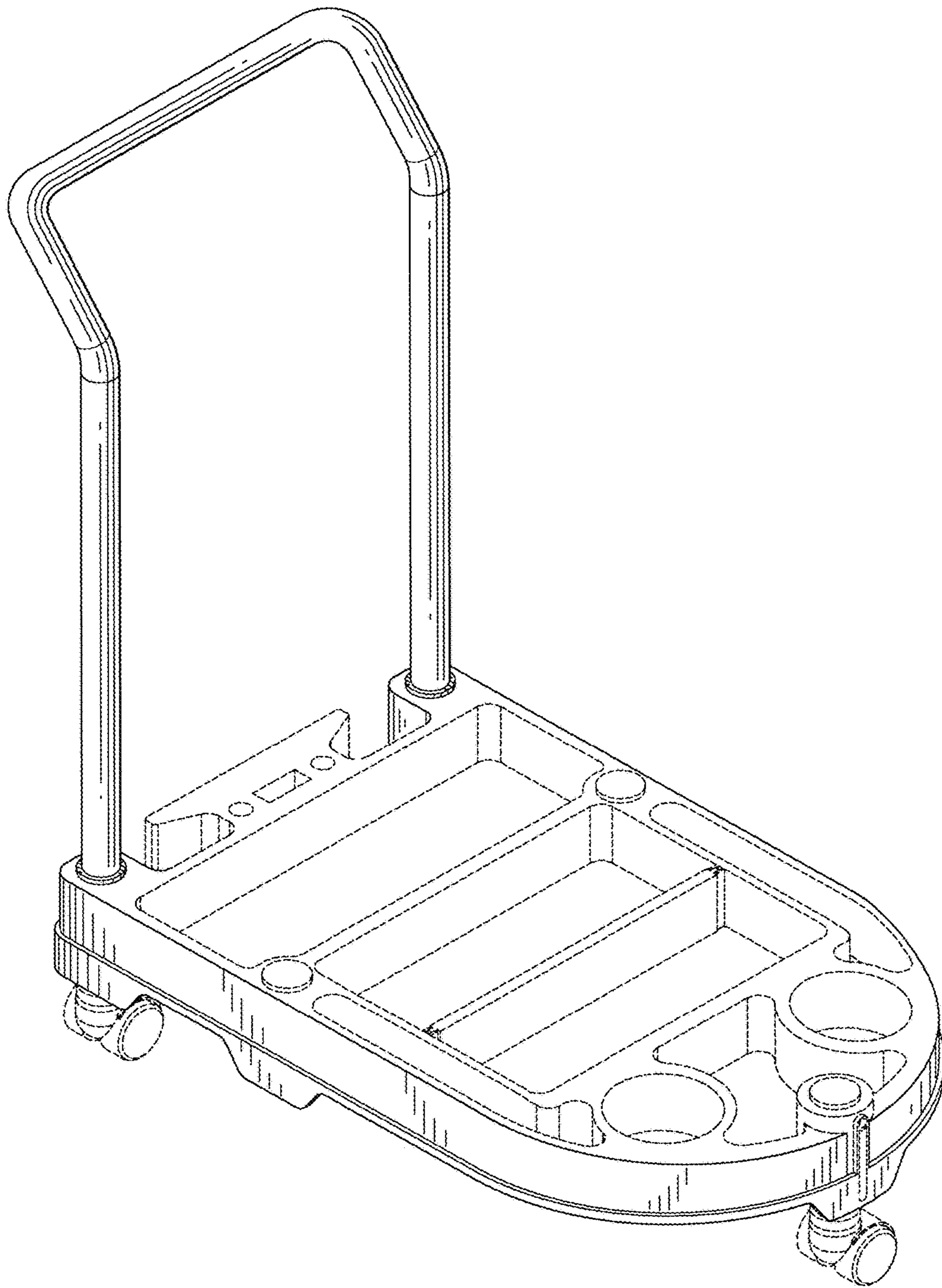


FIG. 1

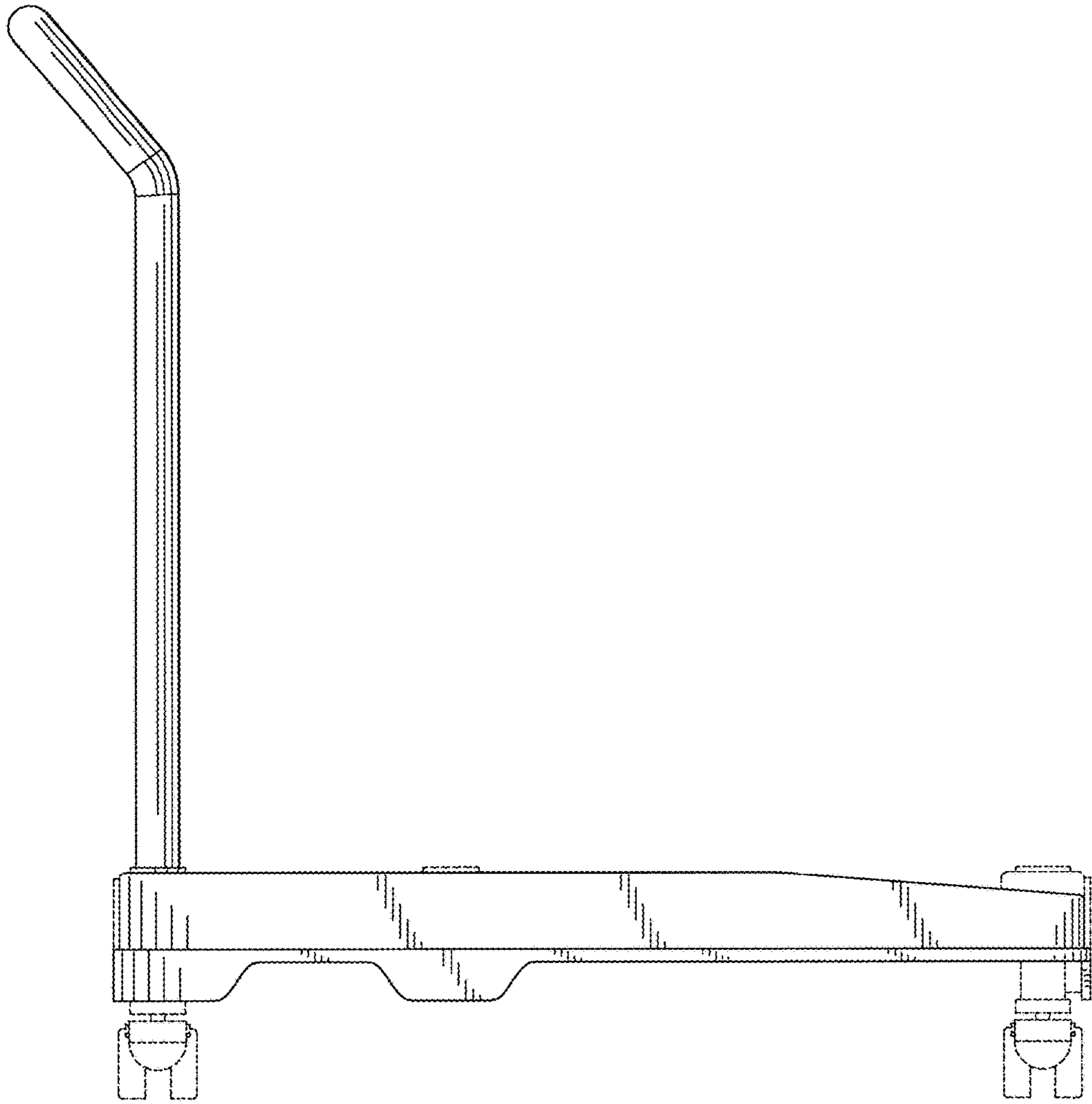


FIG. 2

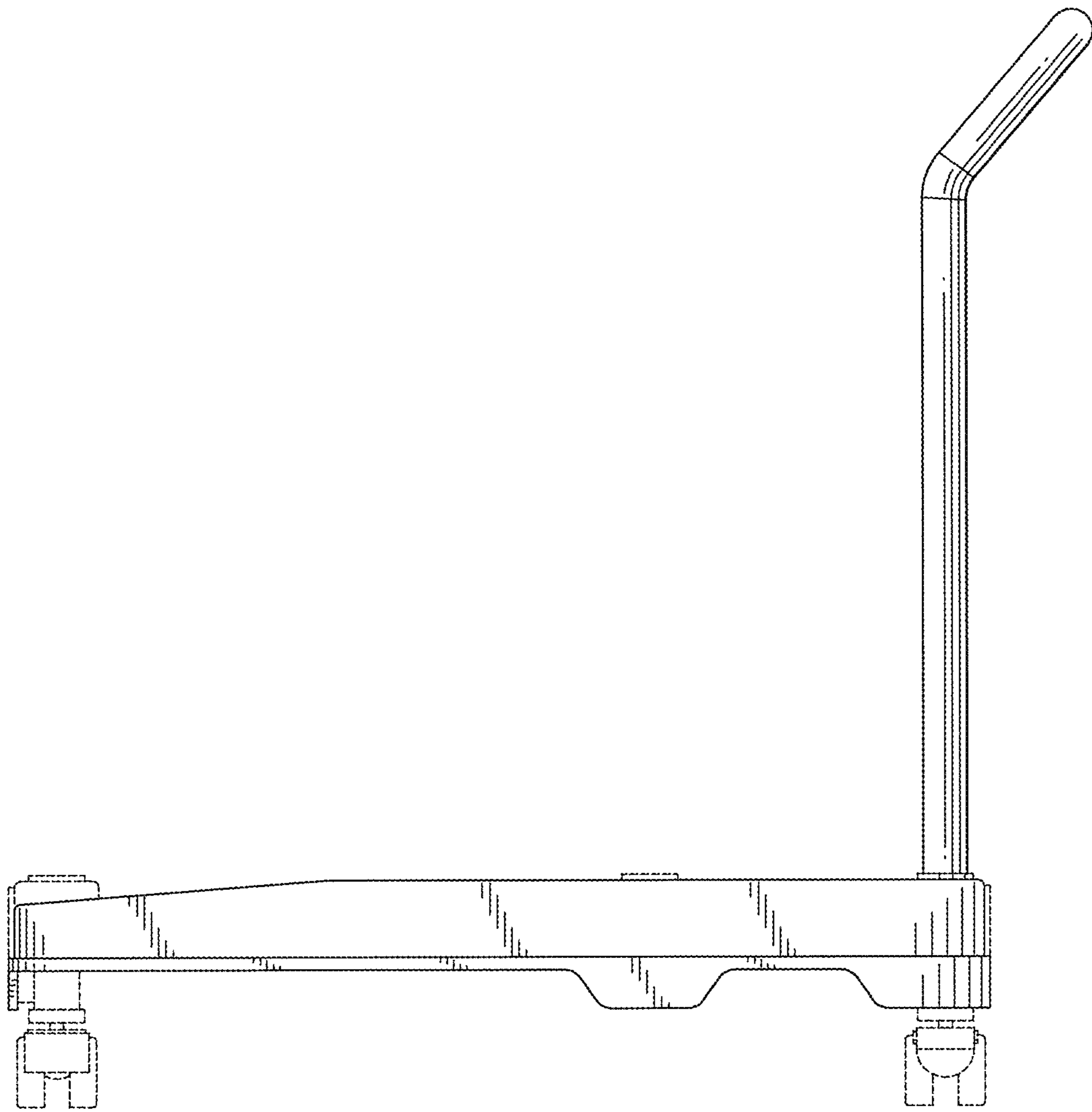


FIG. 3

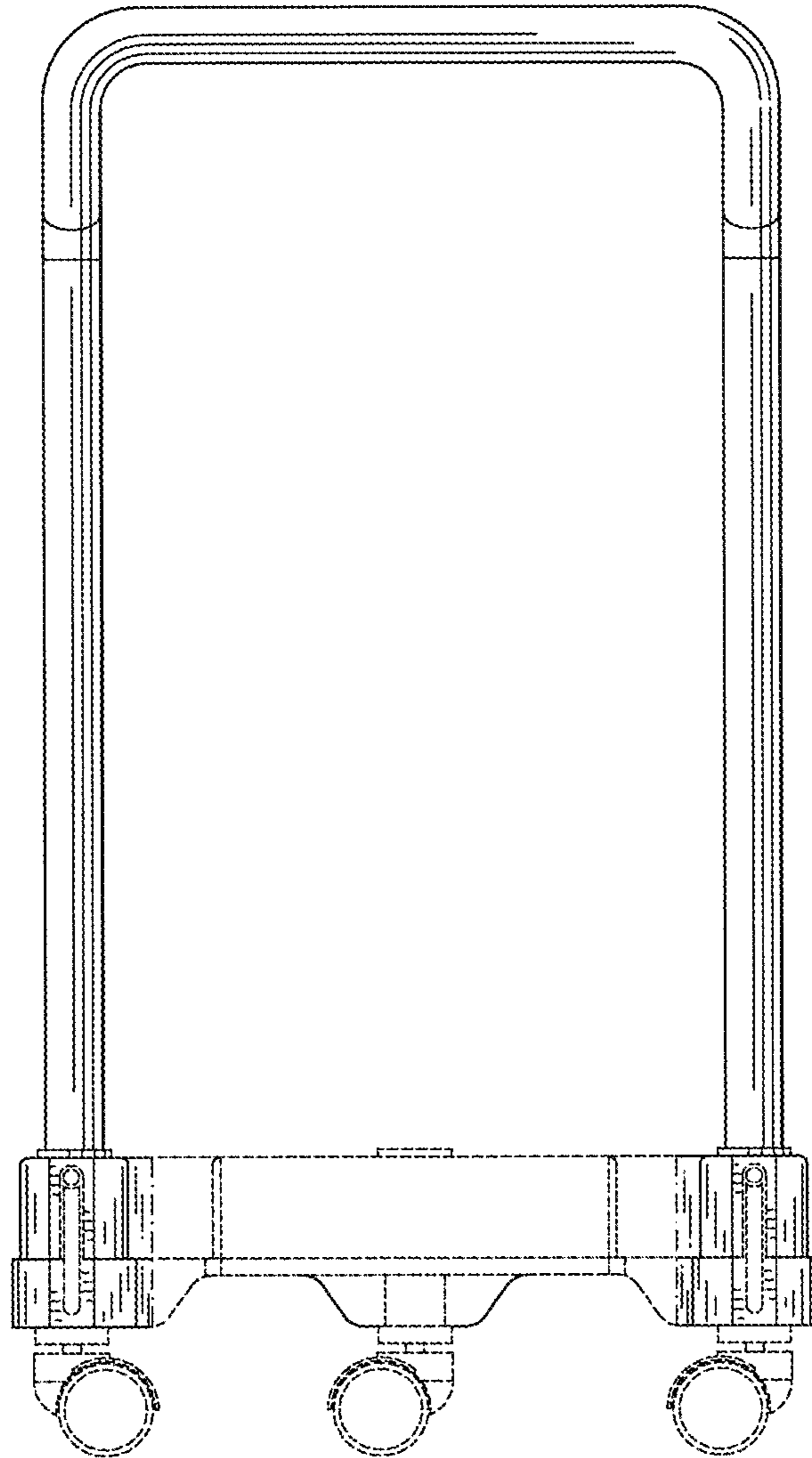


FIG. 4

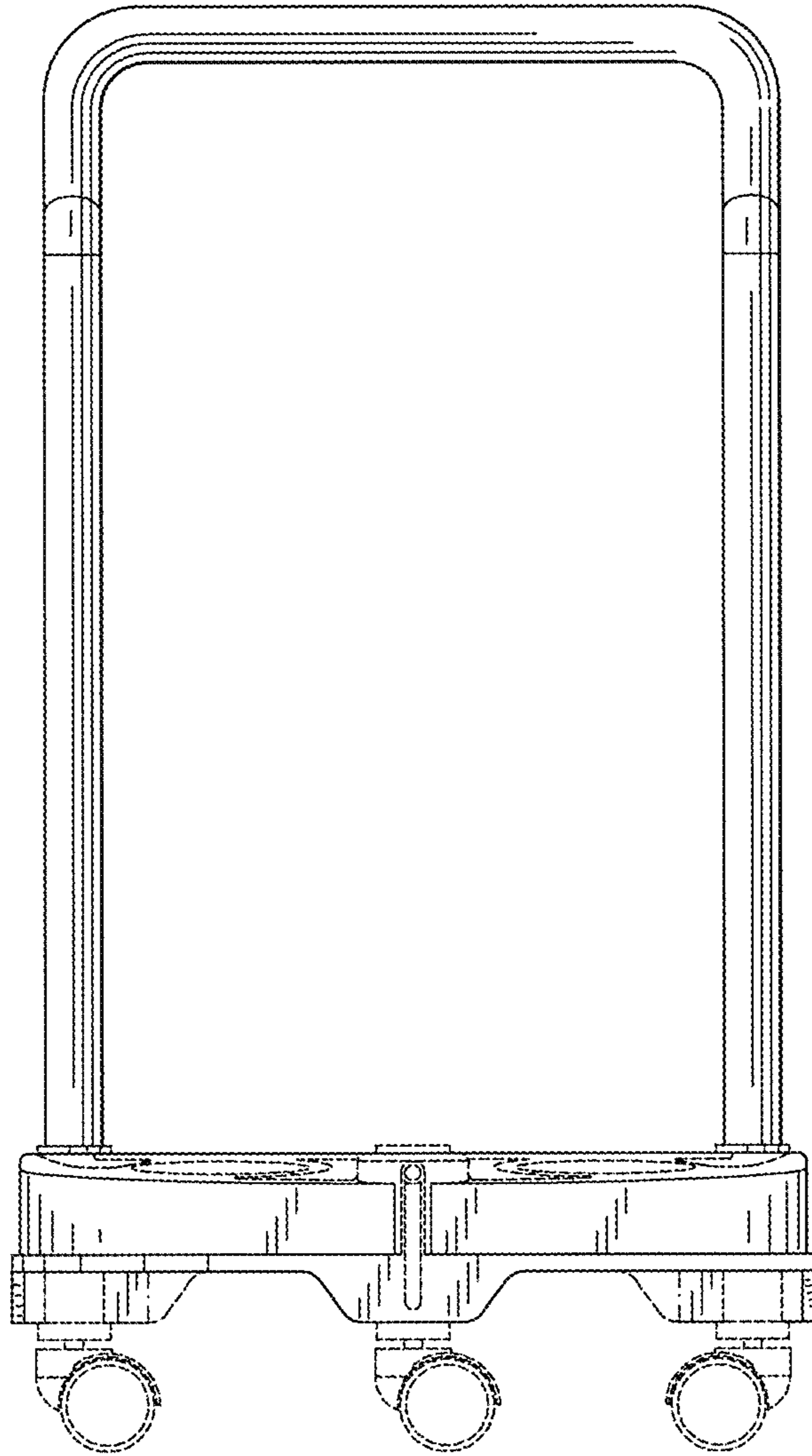


FIG. 5

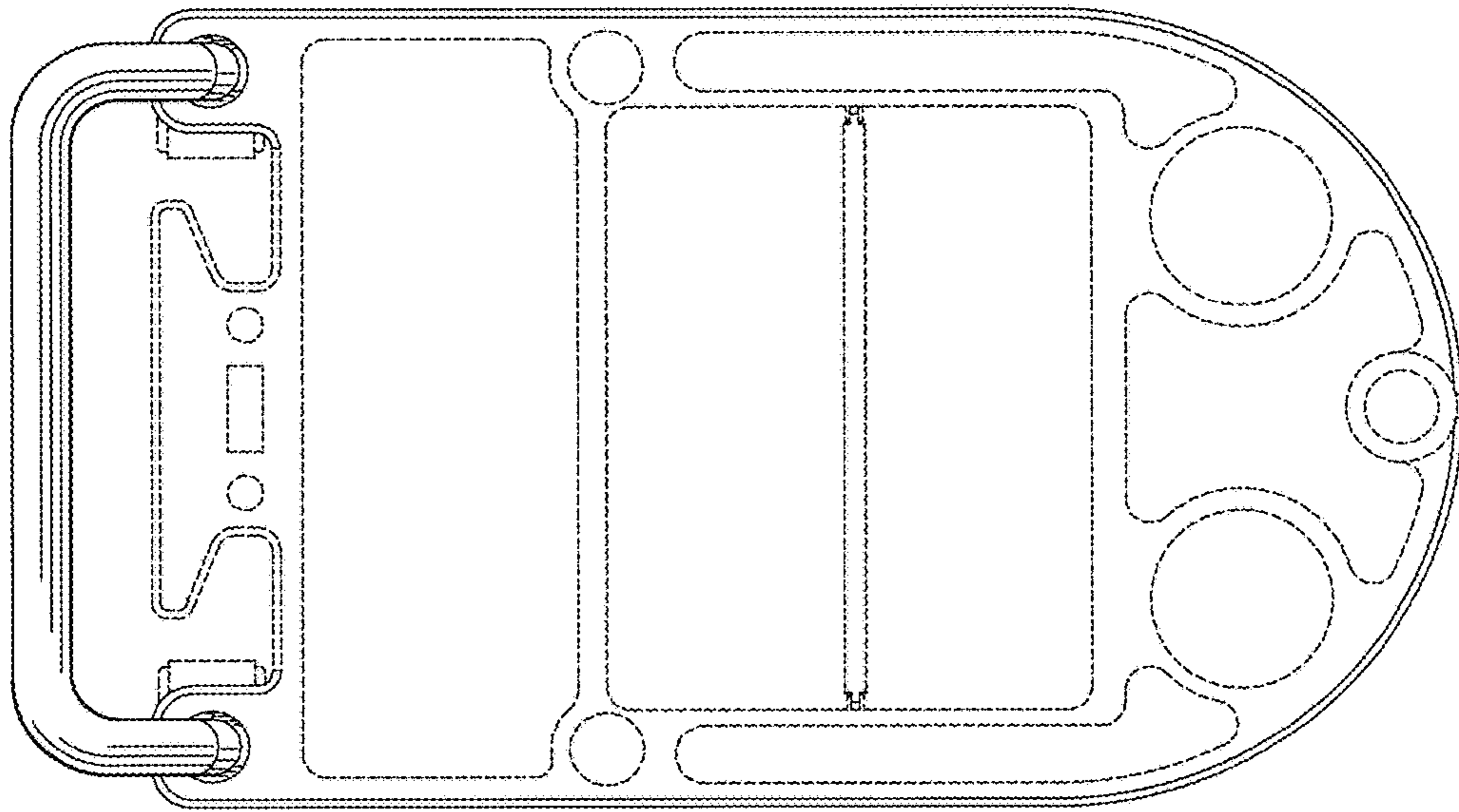


FIG. 6

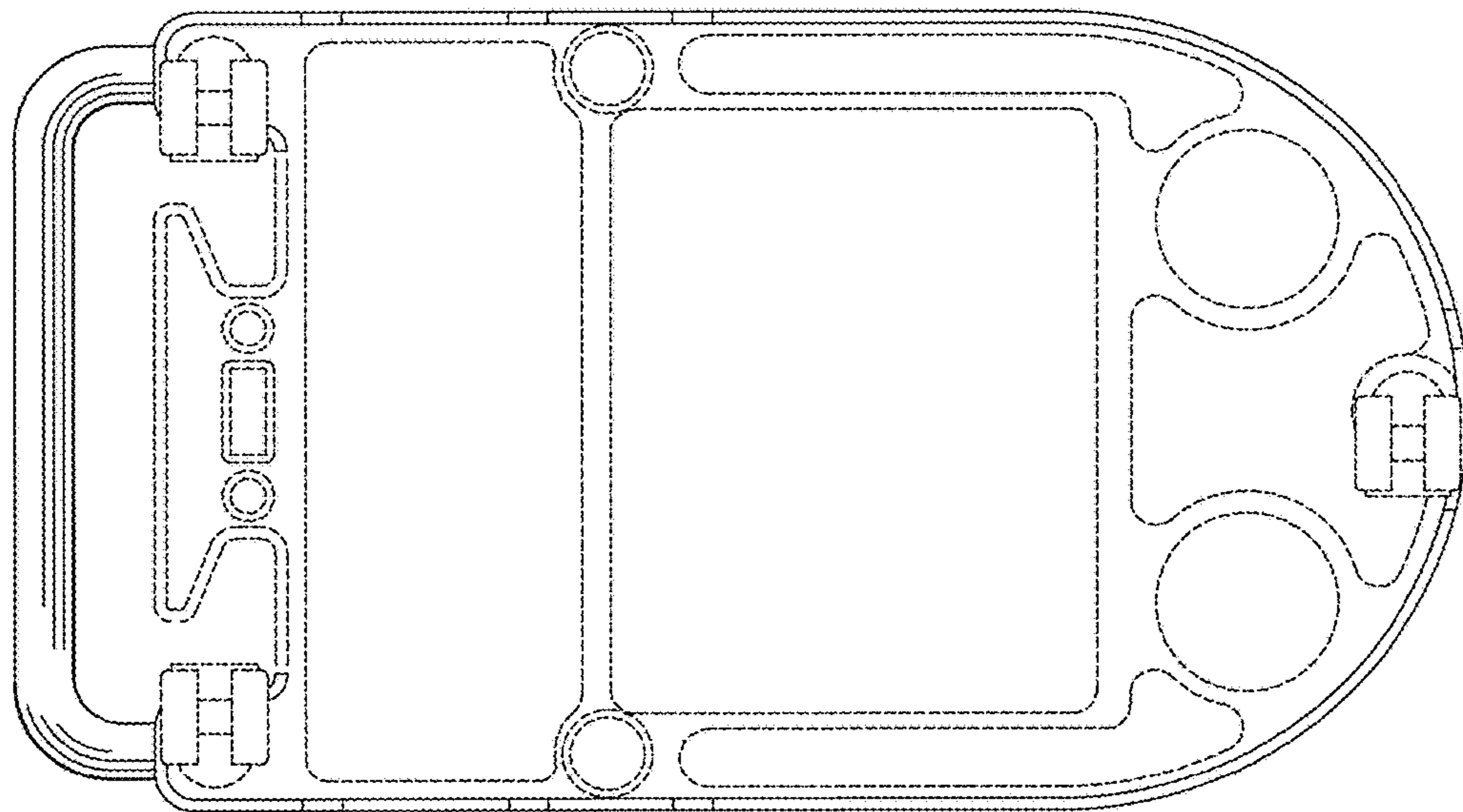


FIG. 7

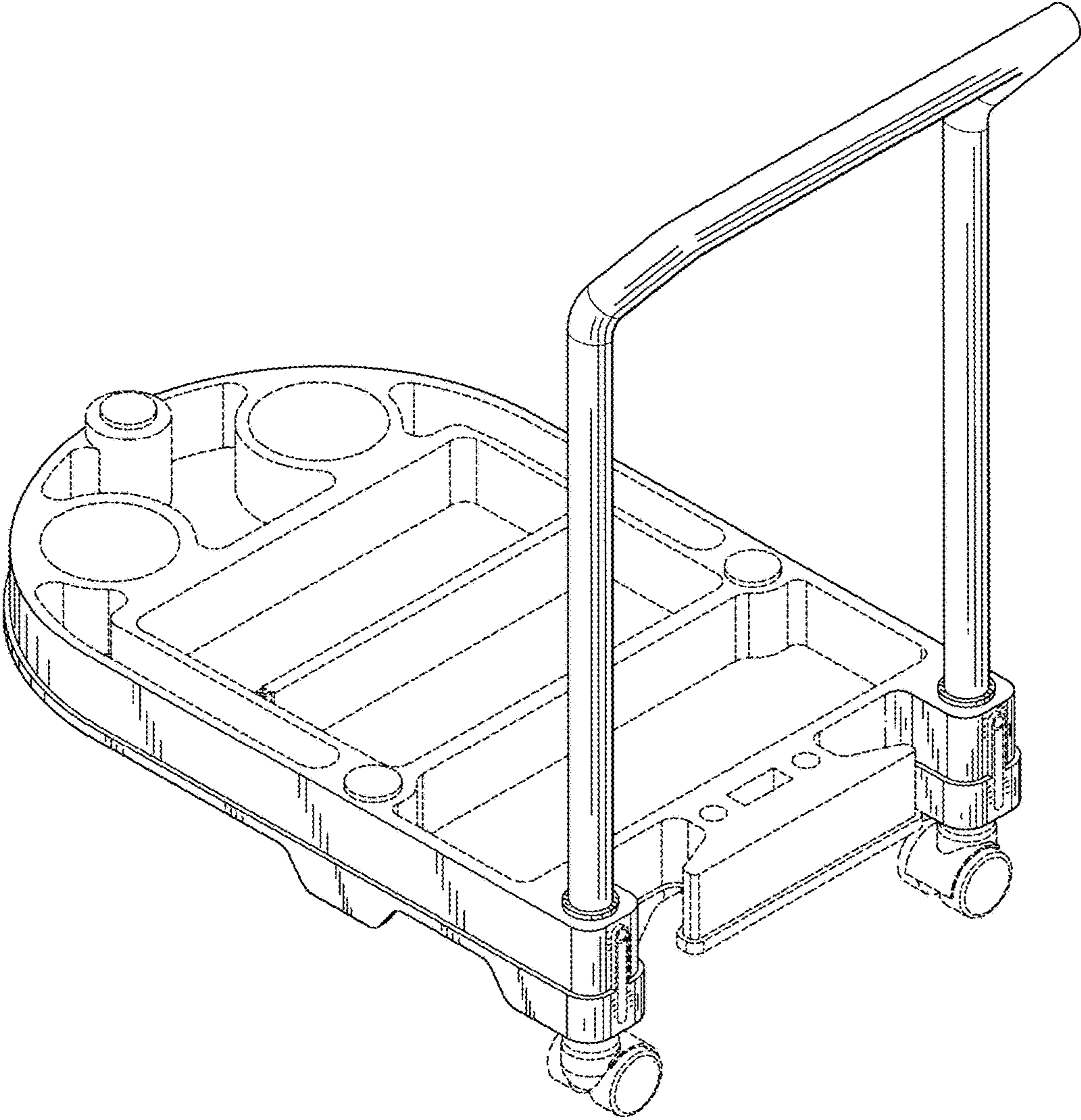


FIG. 8