



US00D833099S

(12) **United States Design Patent** (10) **Patent No.:** **US D833,099 S**
Lapalme (45) **Date of Patent:** **** Nov. 6, 2018**

(54) **POOL BRUSH**
(71) Applicant: **CPA POOL PRODUCTS, INC.**,
Blainville (CA)
(72) Inventor: **Amiel Lapalme**, Montreal (CA)
(73) Assignee: **CPA POOL PRODUCTS, INC.**,
Blainville (CA)

D563,107 S * 3/2008 Folden D4/116
D664,772 S * 8/2012 Rossano D4/132
D693,078 S * 11/2013 Nordvik D32/50
D693,079 S * 11/2013 Nordvik D32/50
D697,280 S * 1/2014 Casini D32/50
D747,884 S * 1/2016 Chalifoux D4/132
9,375,076 B2 * 6/2016 Weis A46B 7/04
D804,122 S * 11/2017 Larouche D32/50

(Continued)

(**) Term: **15 Years**

FOREIGN PATENT DOCUMENTS

(21) Appl. No.: **29/644,940**

EM 000679808-0003 * 4/2007

(22) Filed: **Apr. 22, 2018**

OTHER PUBLICATIONS

(51) **LOC (11) Cl.** **07-05**

20" Stainless Bristle Swimming Pool Wall Brush, review date 2017,
http://www.monoarcinc.com/20-Stainless-Bristle-Swimming-Pool-Wall-Brush_p_14.html, site visited Aug. 4, 2018.*

(52) **U.S. Cl.**
USPC **D32/50**

(Continued)

(58) **Field of Classification Search**
USPC .. D32/50-53, 40, 45, 17-18, 21-22, 24-25;
D4/130-132, 134-135, 138, 199
CPC A47L 13/52; A47L 13/12; A47L 13/00;
A47L 13/20; A47L 13/24; A47L 13/22;
A46B 7/04; A46B 7/06; A46B 5/00;
B43M 11/02

Primary Examiner — John Windmuller
Assistant Examiner — John R Yeh
(74) *Attorney, Agent, or Firm* — Hodgson Russ LLP

See application file for complete search history.

(57) **CLAIM**

The ornamental design for a pool brush, as shown and described.

(56) **References Cited**

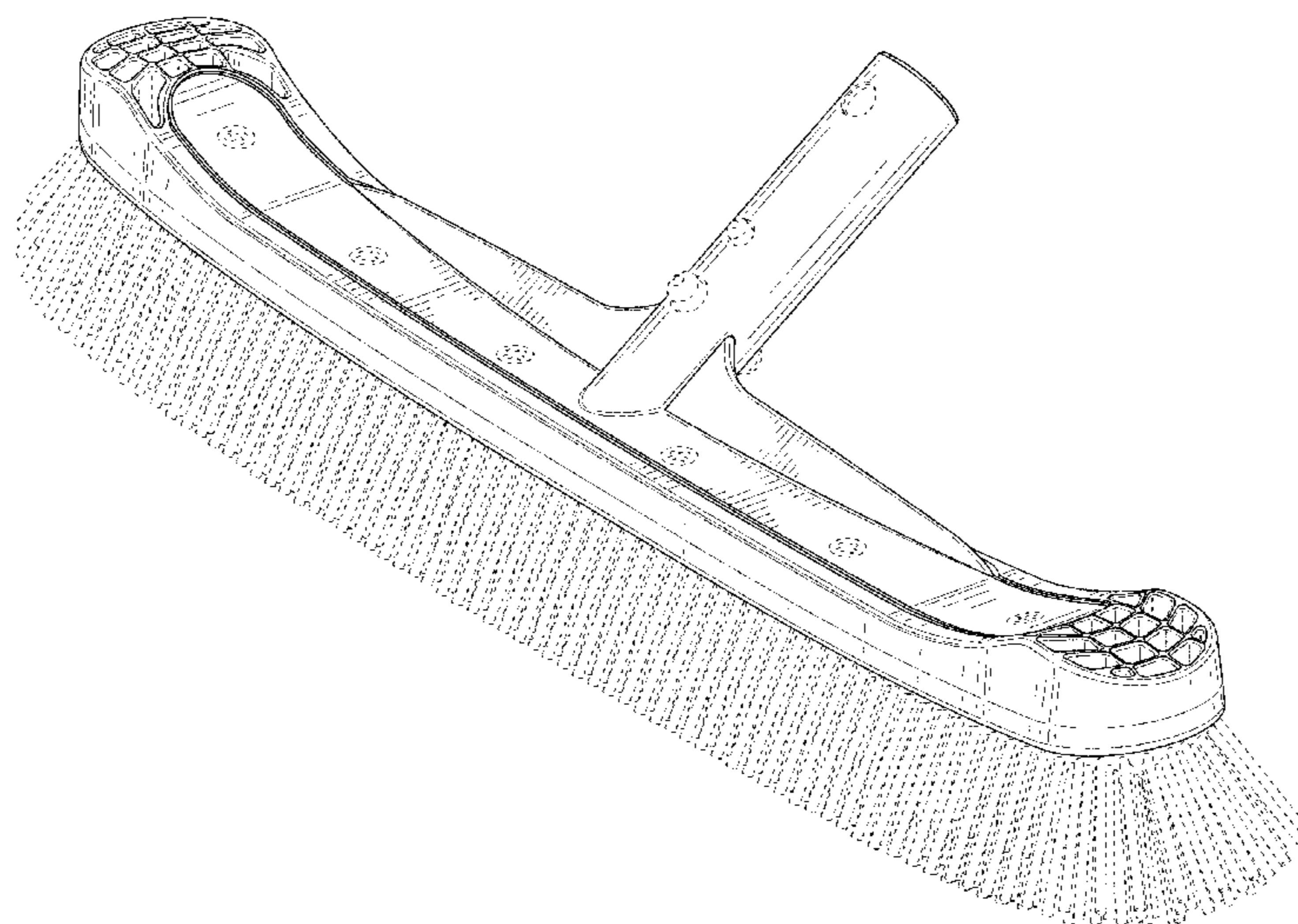
DESCRIPTION

U.S. PATENT DOCUMENTS

1,564,526 A * 12/1925 Callais A46B 9/06
15/159.1
D277,524 S * 2/1985 Kubick D32/50
D289,338 S * 4/1987 Sartori D32/50
D299,289 S * 1/1989 Machacek D32/50
D307,517 S * 5/1990 Mallory D32/41
D321,793 S * 11/1991 Bryant D32/51
D380,303 S * 7/1997 Wolfenden D32/50
D386,907 S * 12/1997 Rittenbaum D32/50
D412,248 S * 7/1999 Berti D32/50
D445,572 S * 7/2001 Rowell D4/133
D499,556 S * 12/2004 Hay D4/199
D509,964 S * 9/2005 Berti D32/50

FIG. 1 is a perspective view of a pool brush showing my new design;
FIG. 2 is a front elevation view thereof;
FIG. 3 is a rear elevation view thereof;
FIG. 4 is a top plan view thereof;
FIG. 5 is a bottom plan view thereof;
FIG. 6 is a right side elevation view thereof; and,
FIG. 7 is a left side elevation view thereof.
The broken lines depict features of the pool brush that form no part of the claimed design.

1 Claim, 5 Drawing Sheets



(56)

References Cited

U.S. PATENT DOCUMENTS

2004/0060129 A1* 4/2004 Juett A46B 17/08
15/1.7
2004/0255427 A1* 12/2004 Gavney, Jr. A46B 9/005
15/401

OTHER PUBLICATIONS

Pool Supplies video. Youtube upload date Feb. 2, 2016, site visited Aug. 4, 2018, https://www.youtube.com/watch?v=6MsZa_NZrBI.
Pool and Spa / Pool Wall Brush, RONA website 2018, <https://www.rona.ca/en/pool-wall-brush-10-63885072>, site visited Aug. 4, 2018.*
Amazon.com: Cpa Pool Products Curved Wall Pool Brush, website 2018, https://www.amazon.com/Pool-Products-4094-Curved-Brush/dp/B0787559J8/ref=sr_1_2?ie=UTF8&qid=1533432842&sr=8-2&keywords=CPA+swimming+pool+brush, site visited Aug. 4, 2018.*

* cited by examiner

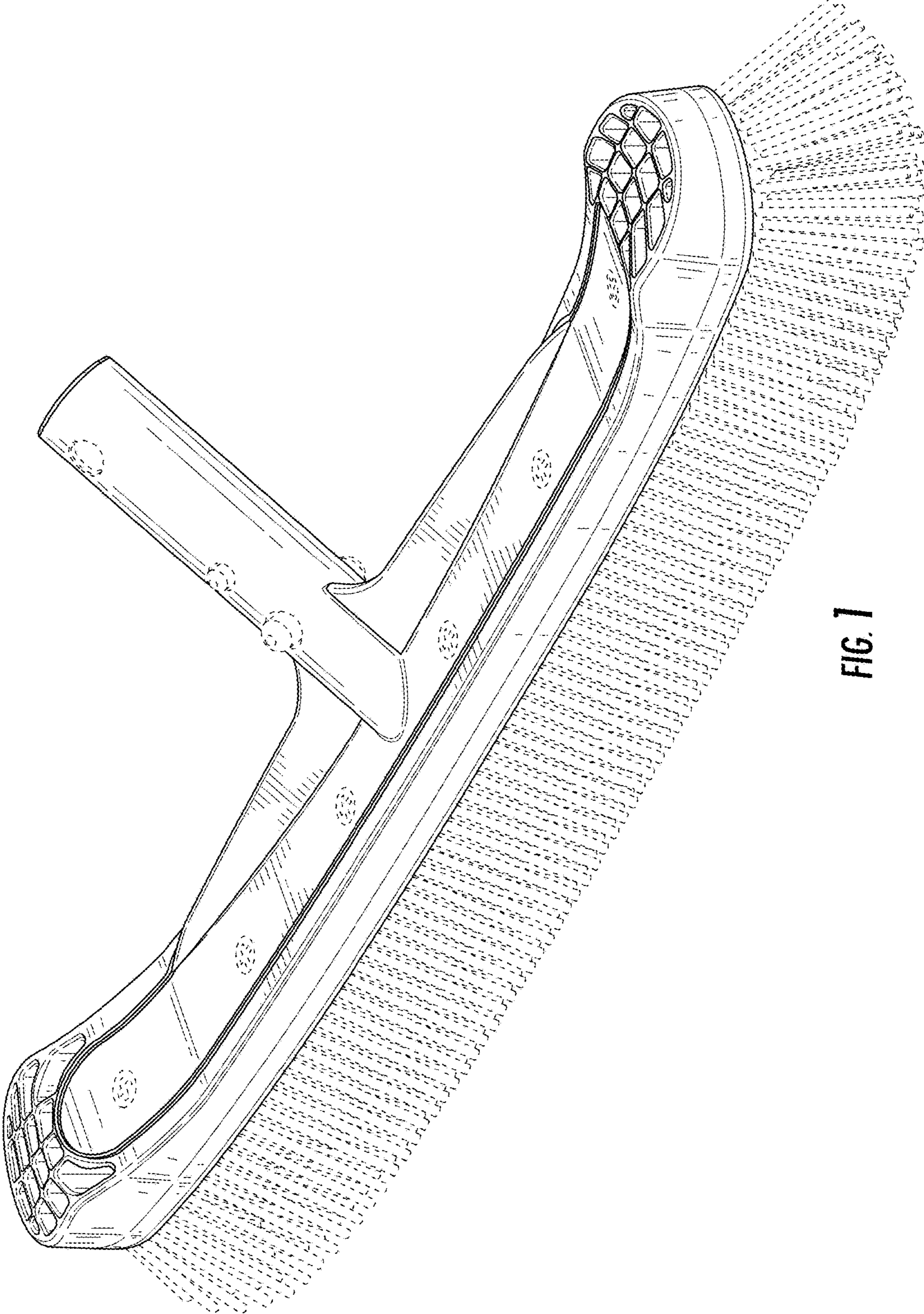


FIG. 1

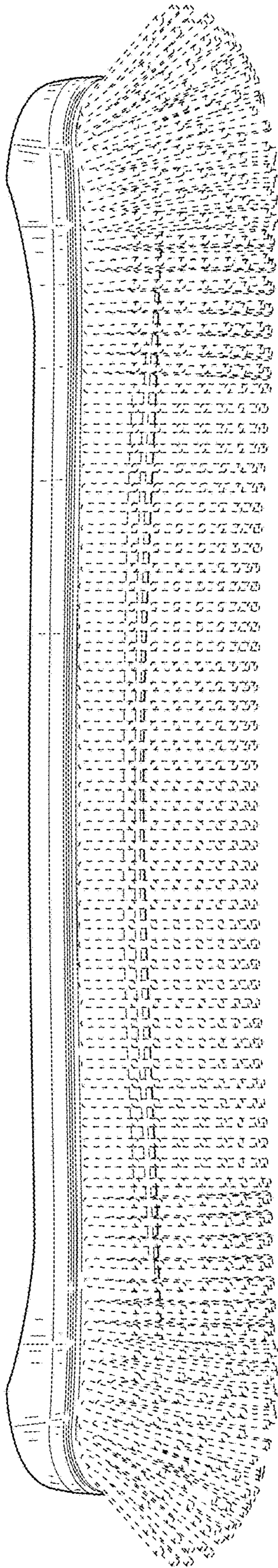


FIG. 2

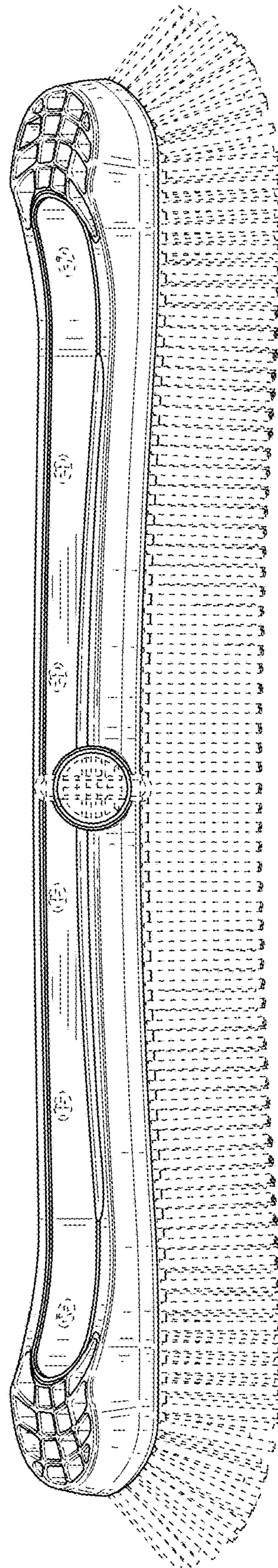


FIG. 3

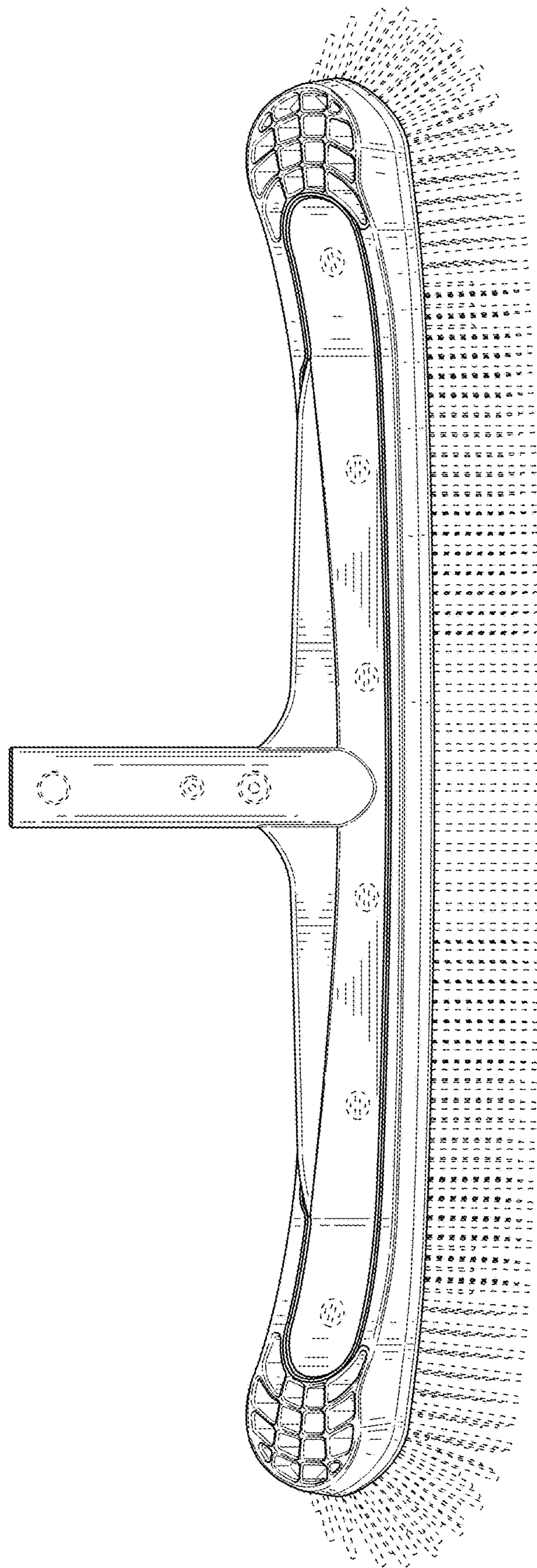


FIG. 4

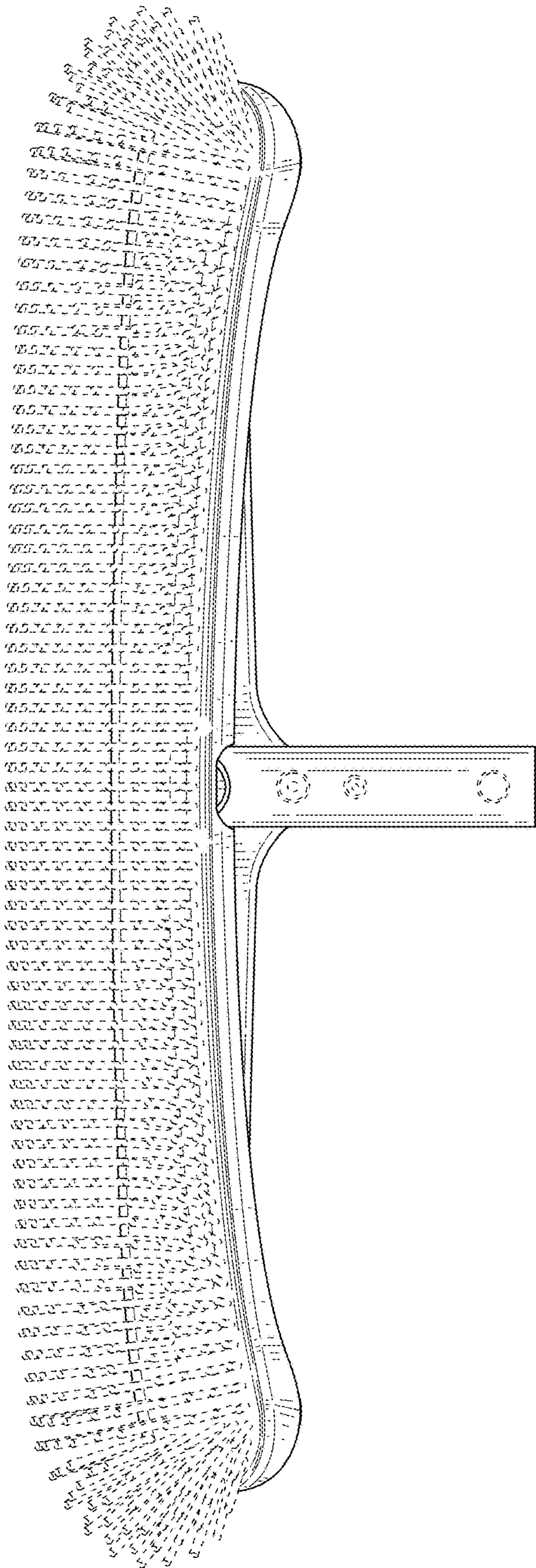


FIG. 5

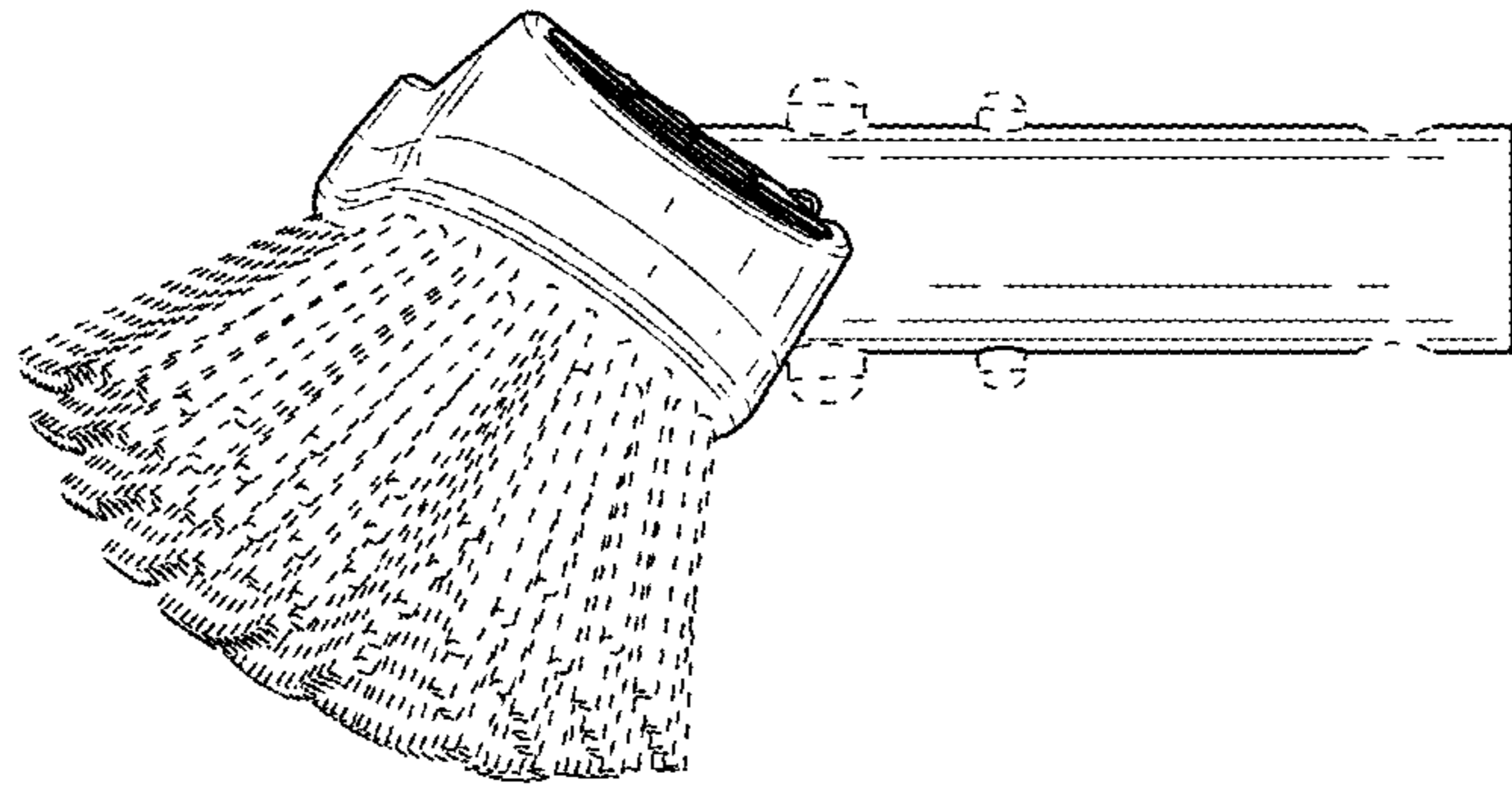


FIG. 6

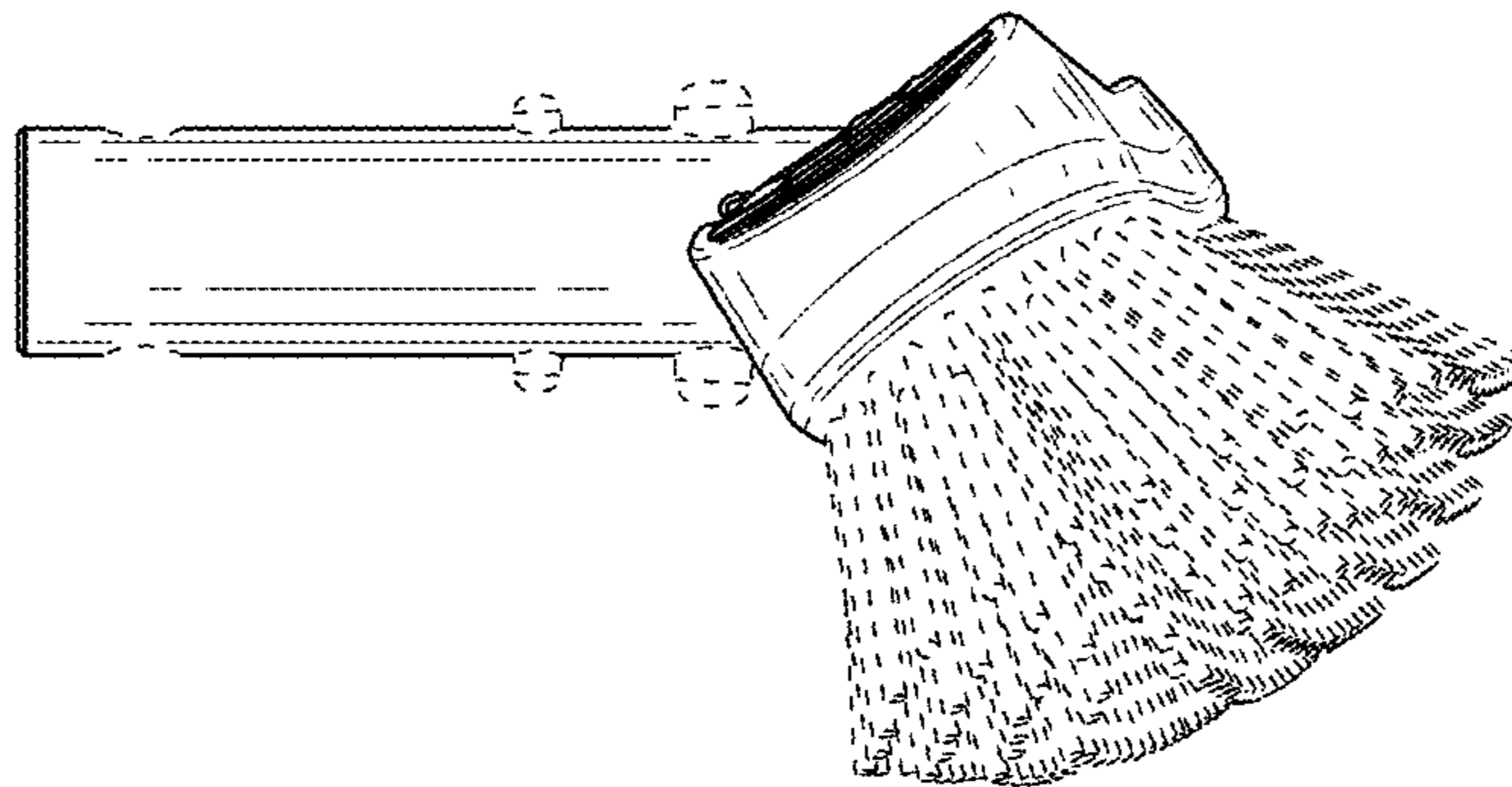


FIG. 7