



US00D833098S

(12) **United States Design Patent** (10) **Patent No.:** **US D833,098 S**
Niedzwecki et al. (45) **Date of Patent:** **** Nov. 6, 2018**

(54) **MOP HEAD**

(71) Applicant: **SharkNinja Operating LLC**, Newton, MA (US)

(72) Inventors: **Scott Benjamin Niedzwecki**, Walpole, MA (US); **Junghwan Chei**, Chestnut Hill, MA (US); **Dan Innes**, Newton Center, MA (US)

(73) Assignee: **SharkNinja Operating LLC**, Needham, MA (US)

(**) Term: **15 Years**

(21) Appl. No.: **29/566,107**

(22) Filed: **May 26, 2016**

(51) **LOC (11) Cl.** **07-05**

(52) **U.S. Cl.**
USPC **D32/50**

(58) **Field of Classification Search**
USPC D32/40-49, 50-52, 21-25, 31-33
CPC A63C 11/22; A47L 23/24; A47K 7/026;
A63B 57/0087
See application file for complete search history.

(56) **References Cited**

U.S. PATENT DOCUMENTS

D152,843 S *	2/1949	Wagner	D32/50
D191,899 S *	12/1961	McKnight	D32/32
D374,750 S *	10/1996	Vanderhoef	D32/50
D487,947 S *	3/2004	Pecci	D32/32

(Continued)

FOREIGN PATENT DOCUMENTS

JP	D1440555	*	5/2012
JP	D1490316	*	2/2014

OTHER PUBLICATIONS

AmazonSmile: Shark Triangle Mop Head Attachment, website 2017, <https://smile.amazon.com/Shark-Triangle-Attachment-Blast->

Pocket/dp/B06XL198J4/ref=sr_1_34?ie=UTF8&qid=1500521935&sr=8-34&keywords=sharkninja+steam+mop, [site visited Jul. 19, 2017 11:39:40 PM].*

Primary Examiner — John Windmuller

Assistant Examiner — John R Yeh

(74) *Attorney, Agent, or Firm* — Grossman Tucker Perreault & Pflieger, PLLC

(57) **CLAIM**

The ornamental design for a mop head, as shown and described.

DESCRIPTION

FIG. 1 is a perspective view of a mop head in accordance with our design;
FIG. 2 is a front view of the mop head in accordance with our design;
FIG. 3 is a back view of the mop head in accordance with our design;
FIG. 4 is a first side view of the mop head in accordance with our design;
FIG. 5 is a second side view of the mop head in accordance with our design;
FIG. 6 is a top view of the mop head in accordance with our design; and
FIG. 7 is a bottom view of the mop head in accordance with our design.
FIG. 8 is a perspective view of the mop head in an alternative position of use;
FIG. 9 is a front view of the mop head in an alternative position of use;
FIG. 10 is a back view of the mop head in an alternative position of use;
FIG. 11 is a first side view of the mop head in an alternative position of use;
FIG. 12 is a second side view of the mop head in an alternative position of use;
FIG. 13 is a top view of the mop head in an alternative position of use; and,

(Continued)

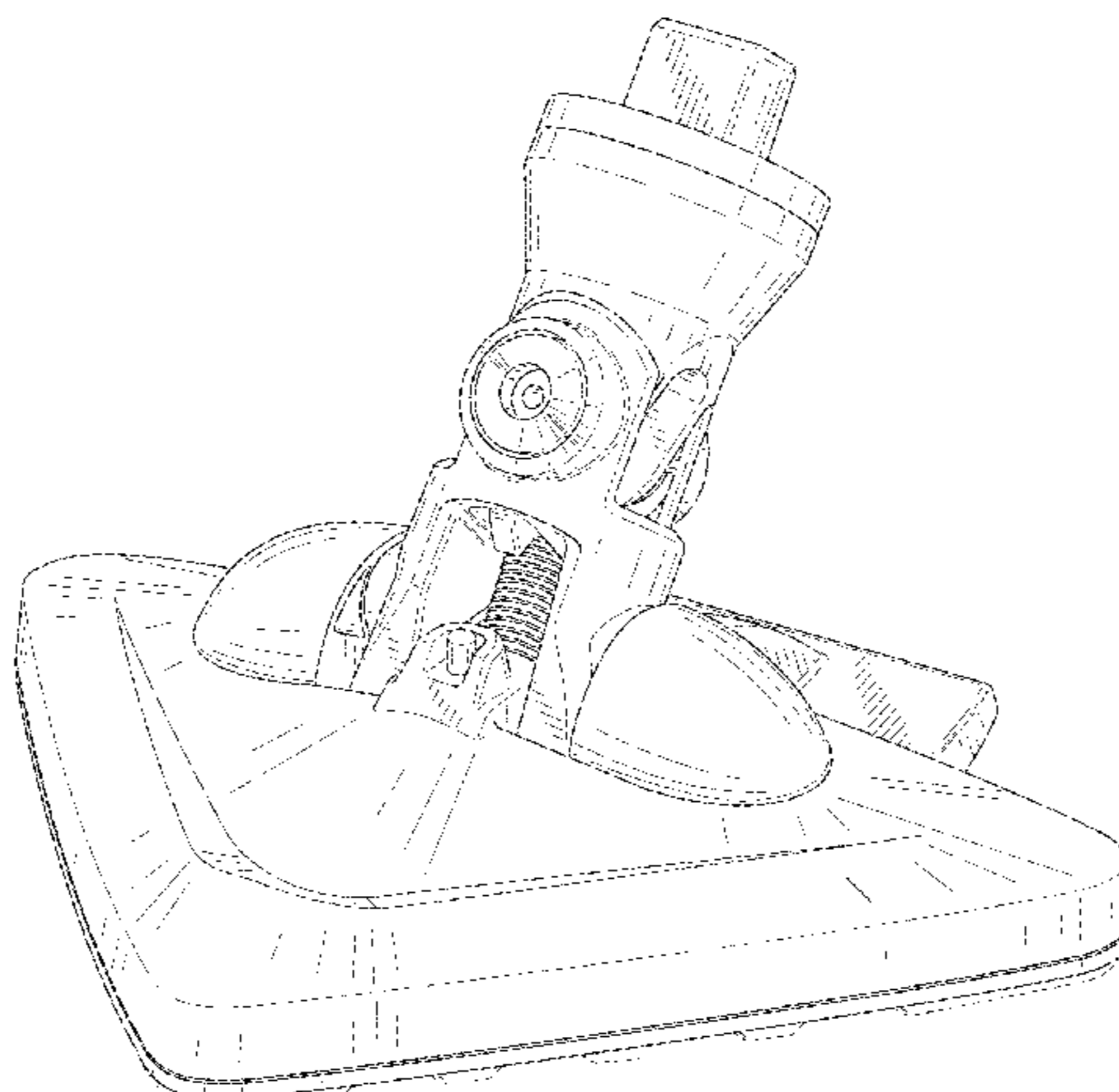


FIG. 14 is a bottom view of the mop head in an alternative position of use.

1 Claim, 14 Drawing Sheets

(56)

References Cited

U.S. PATENT DOCUMENTS

D544,667	S *	6/2007	Nelson	D32/50
D589,668	S *	3/2009	Byrne	D32/50
D599,518	S *	9/2009	Vrdoljak	A47L 13/225
					D32/40
D631,217	S *	1/2011	Lavy	D32/45
D645,218	S *	9/2011	Rossano	D32/33
D647,677	S *	10/2011	Dammkoehler	D32/51
D656,283	S *	3/2012	Lavy	D32/45
D685,966	S *	7/2013	Houghton	D32/45
D700,758	S *	3/2014	Jeong	D32/31
D712,607	S *	9/2014	Crawley	D32/32
D754,938	S *	4/2016	Bruneel	D32/33
D759,921	S *	6/2016	Shields	D32/32
2007/0169289	A1 *	7/2007	Hanvey	E04H 4/1654
					15/1.7
2016/0374532	A1 *	12/2016	Patterson	A47L 13/22
					134/6

* cited by examiner

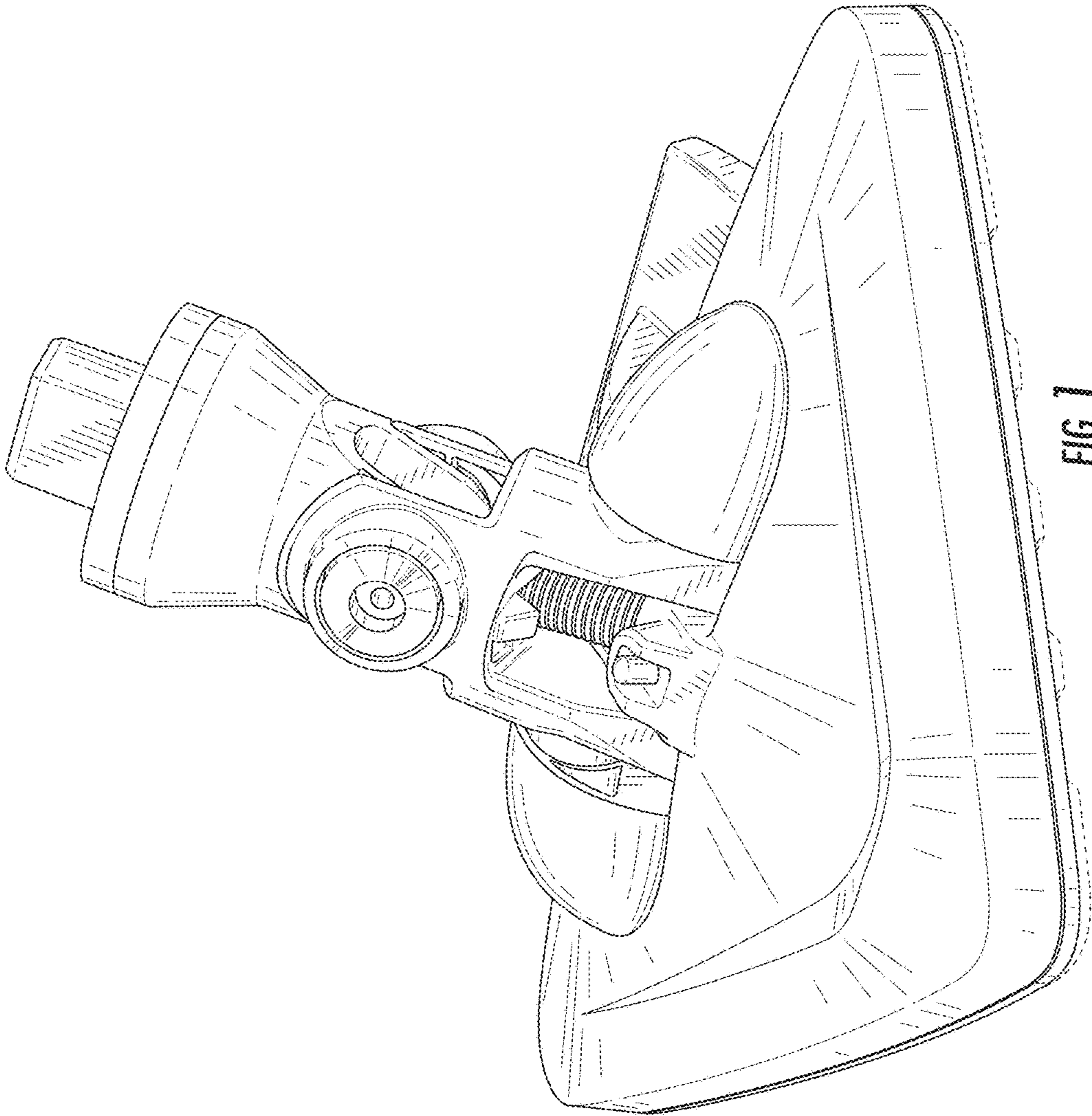


FIG. 1

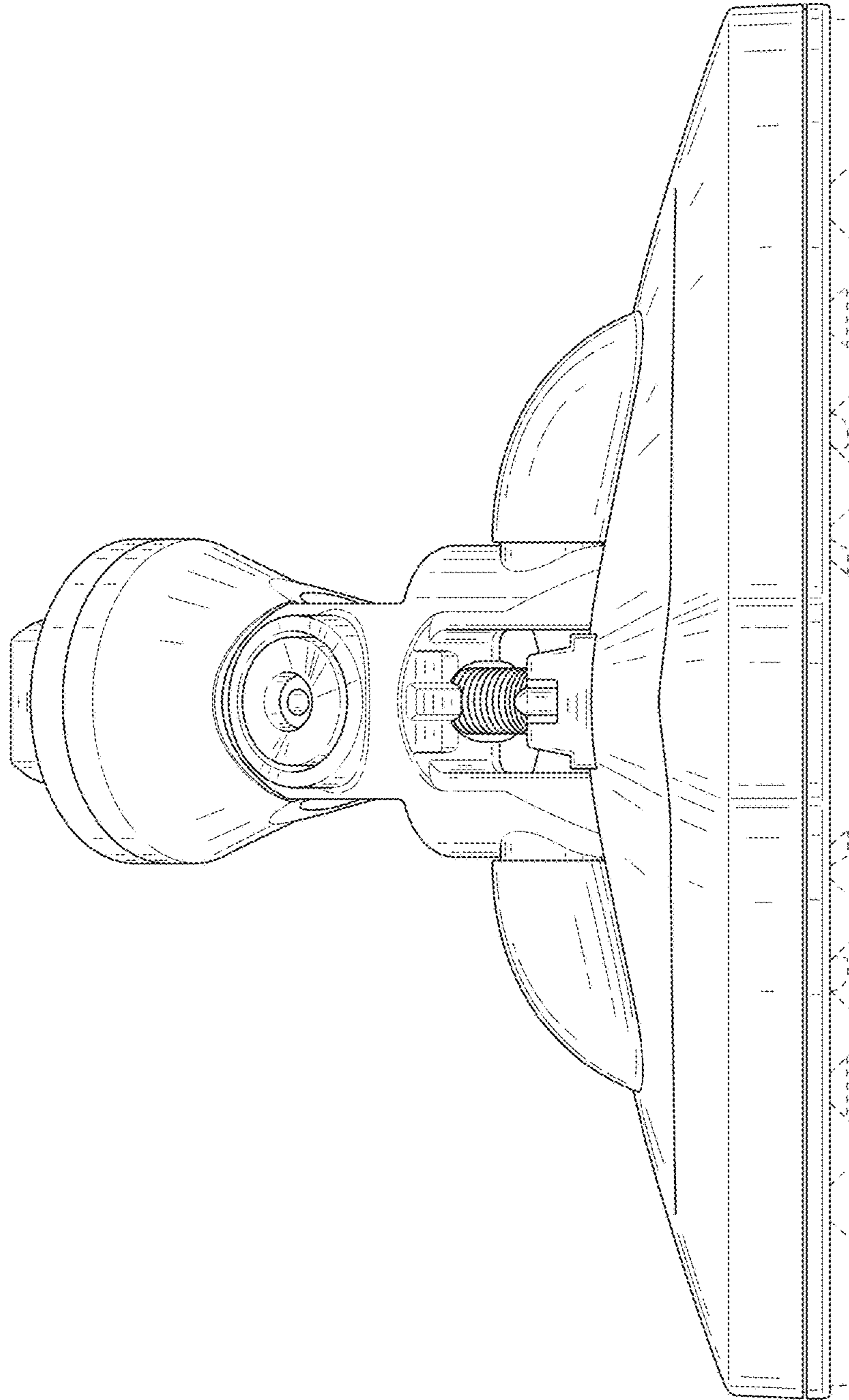


FIG. 2

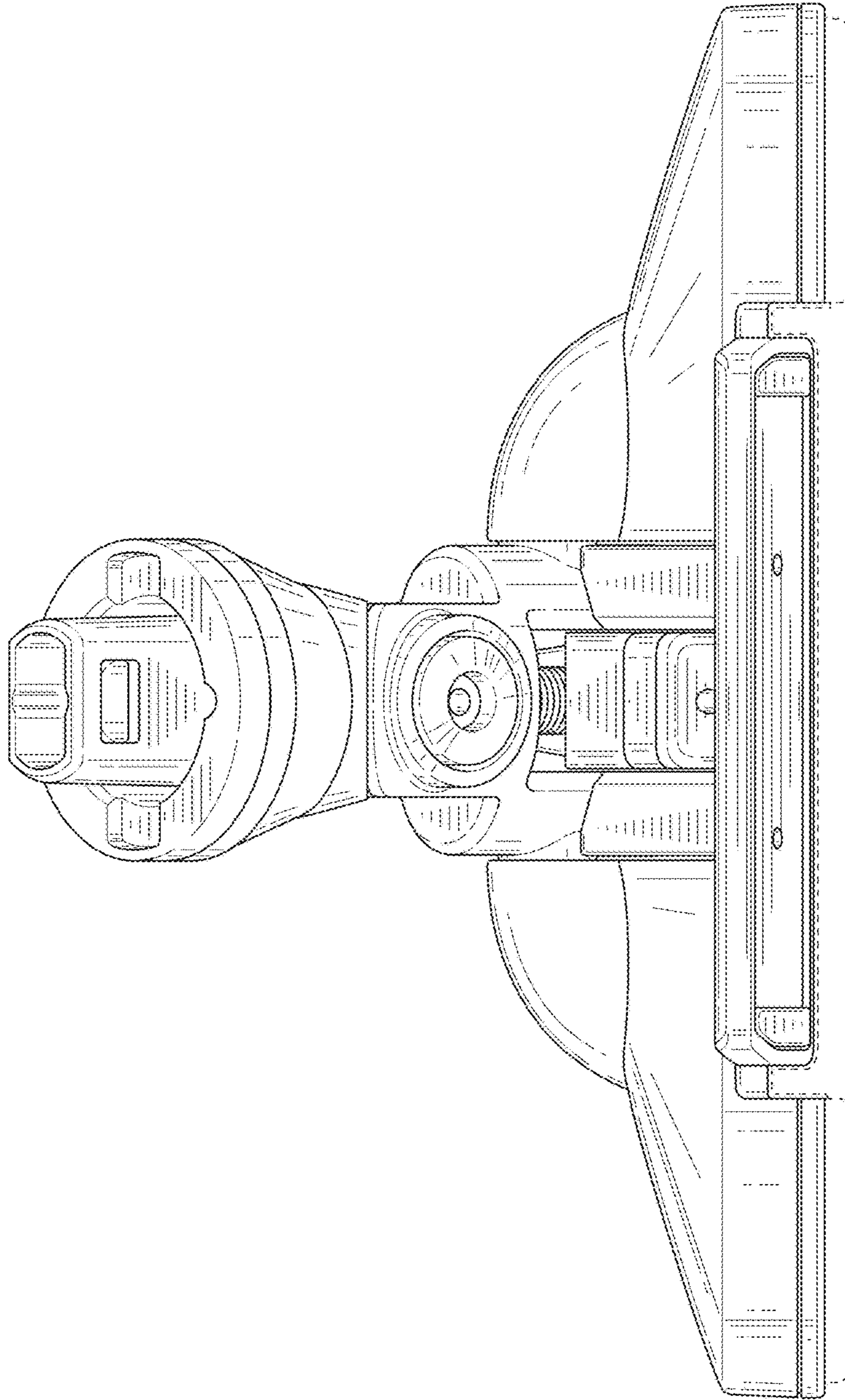


FIG. 3

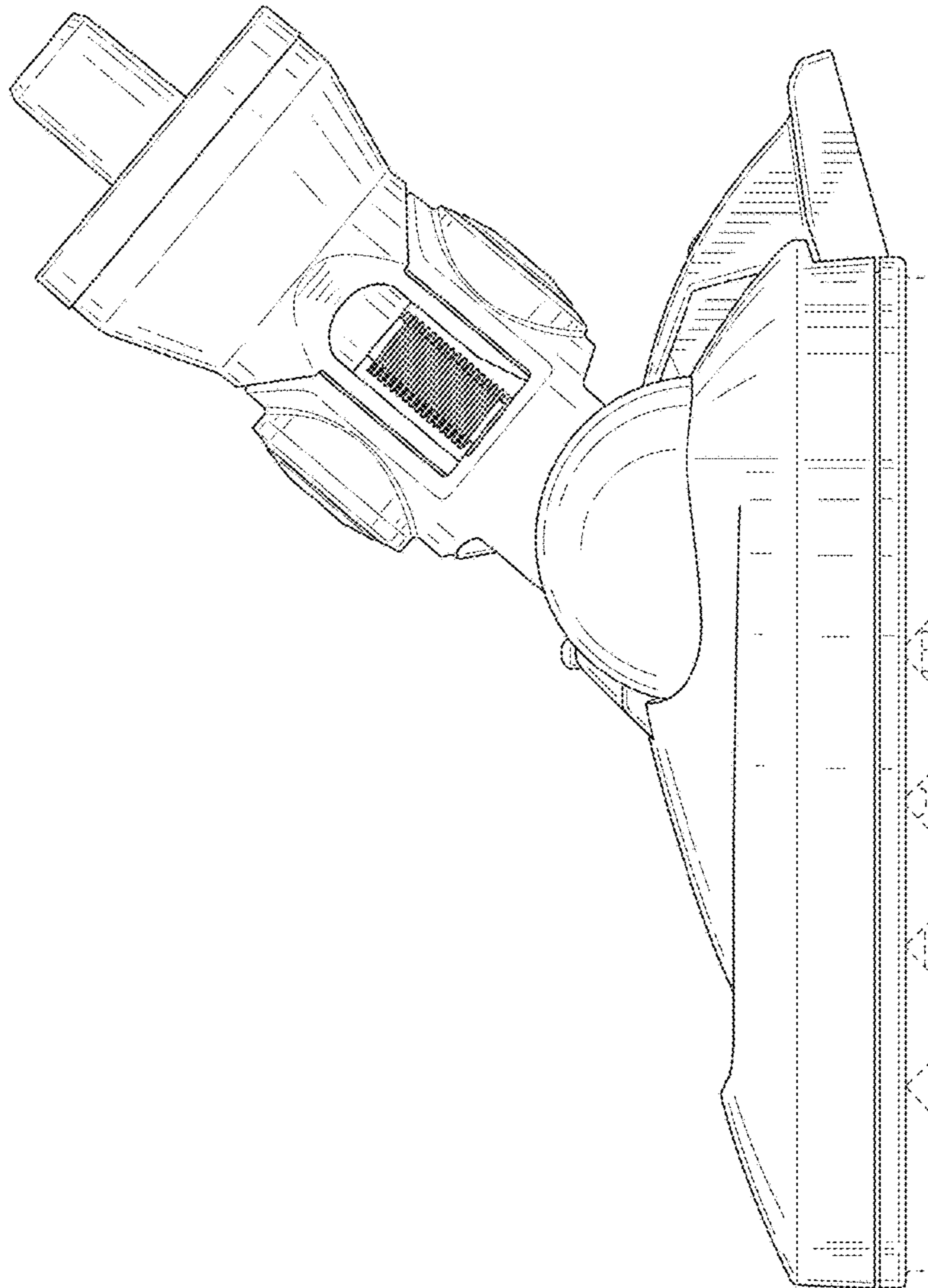


FIG. 4

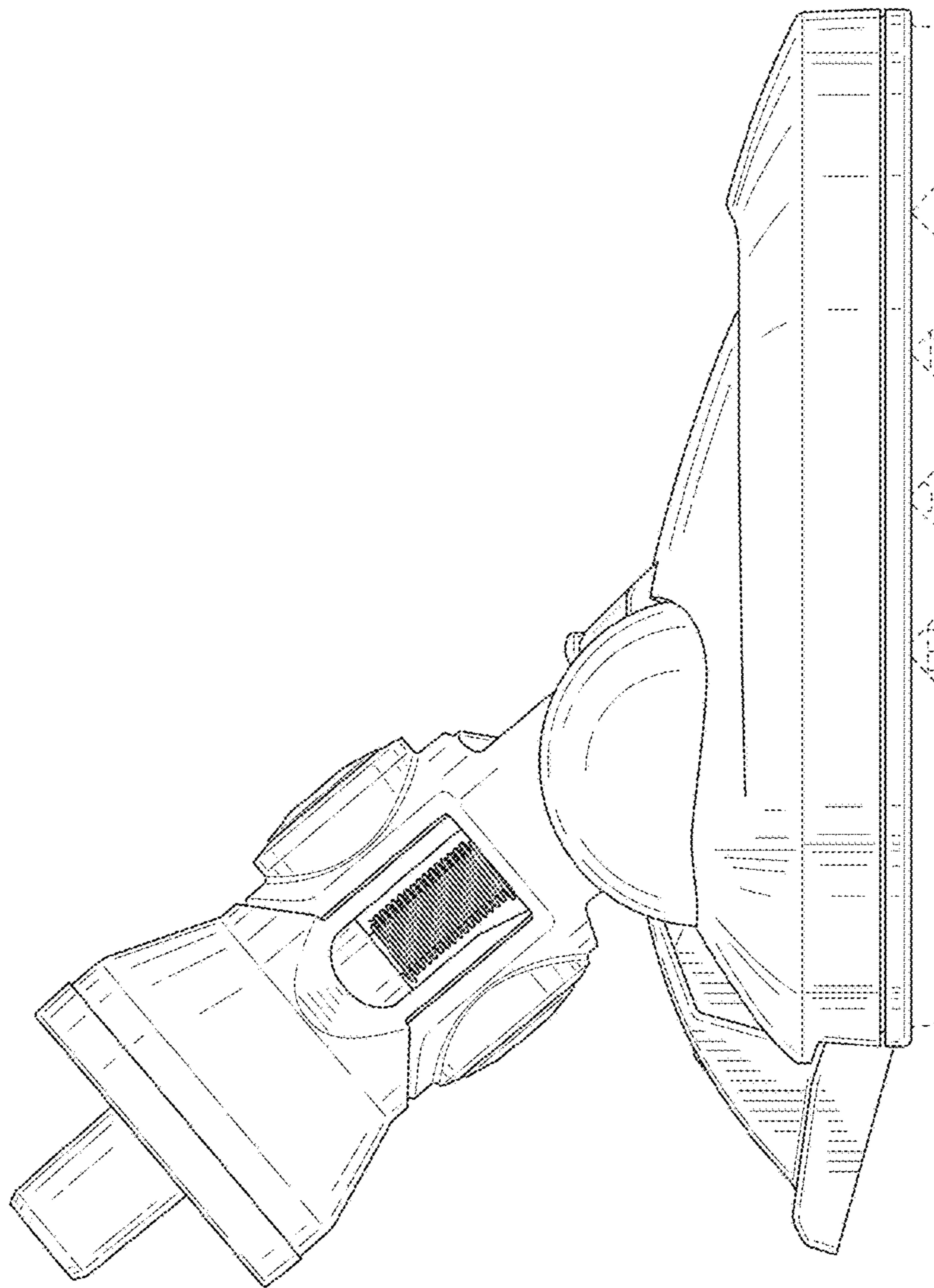


FIG. 5

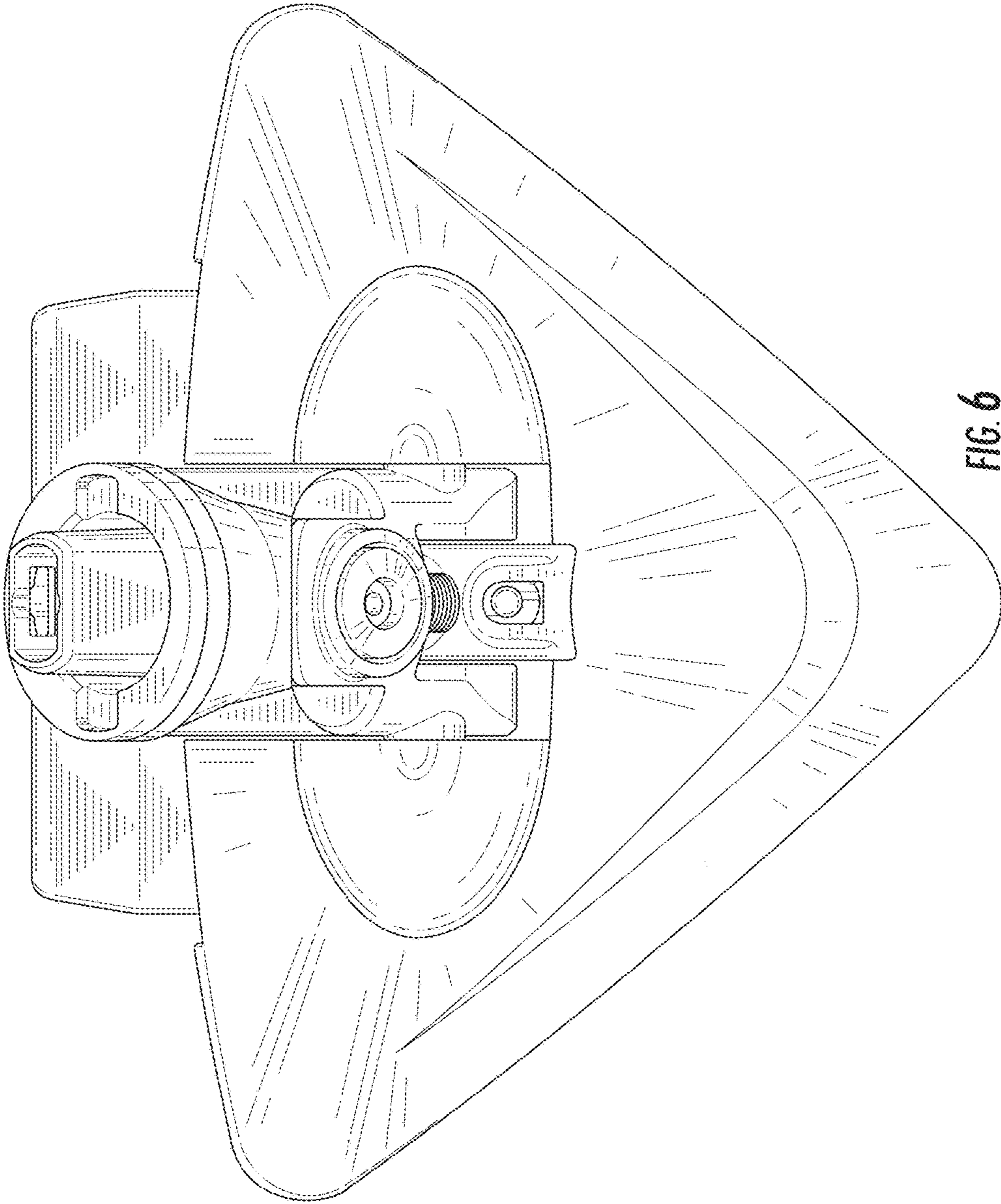


FIG. 6

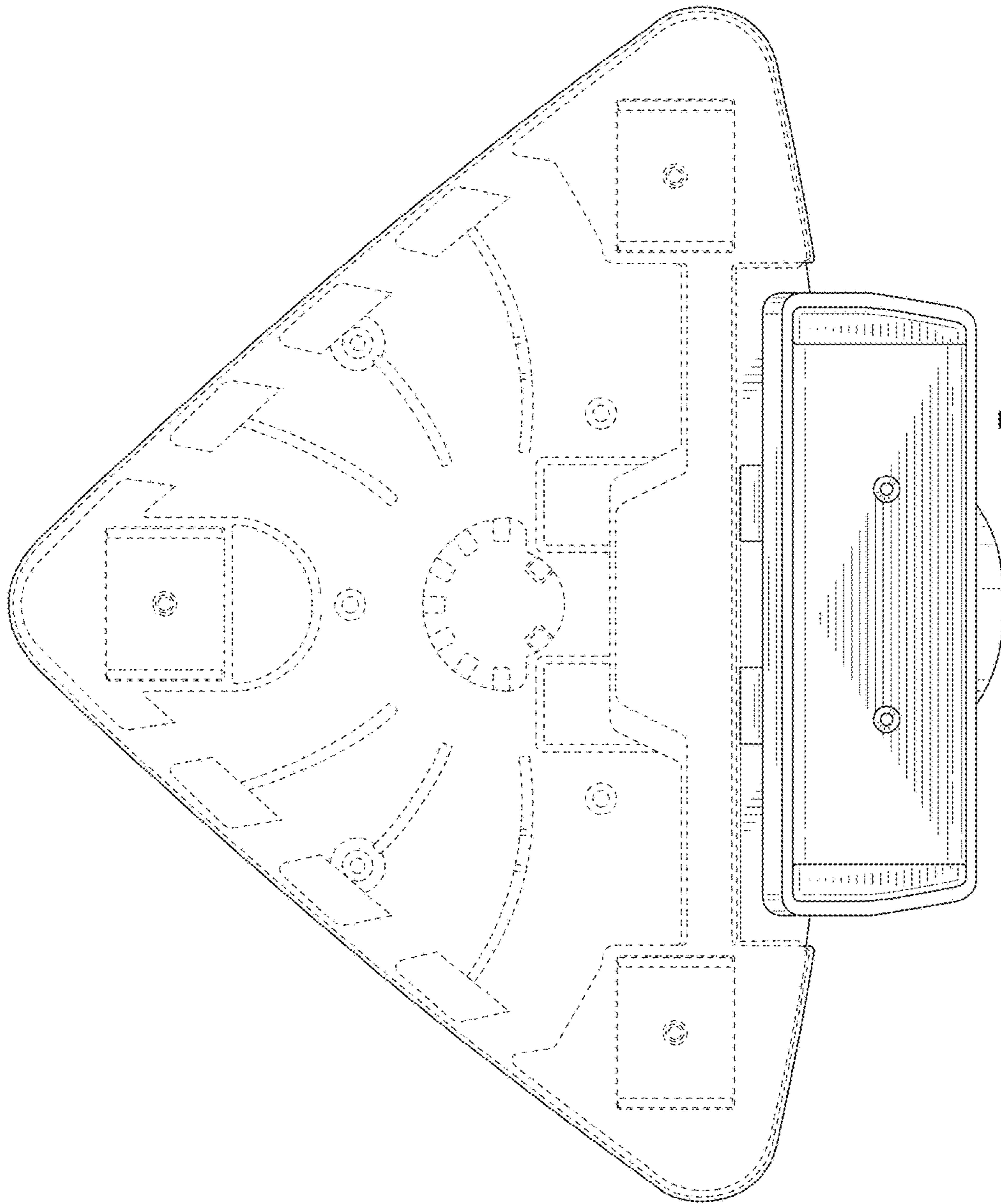


FIG. 7

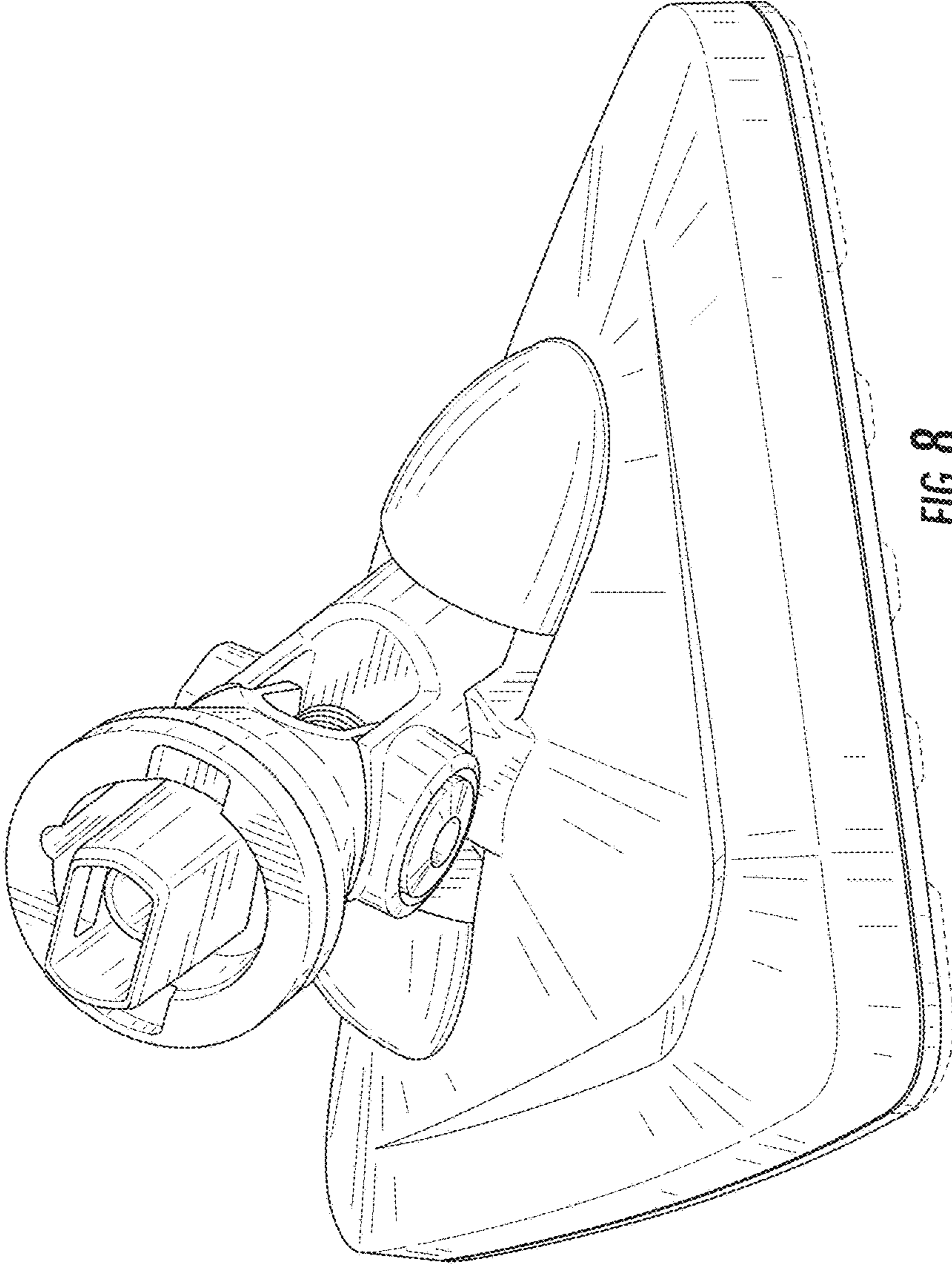


FIG. 8

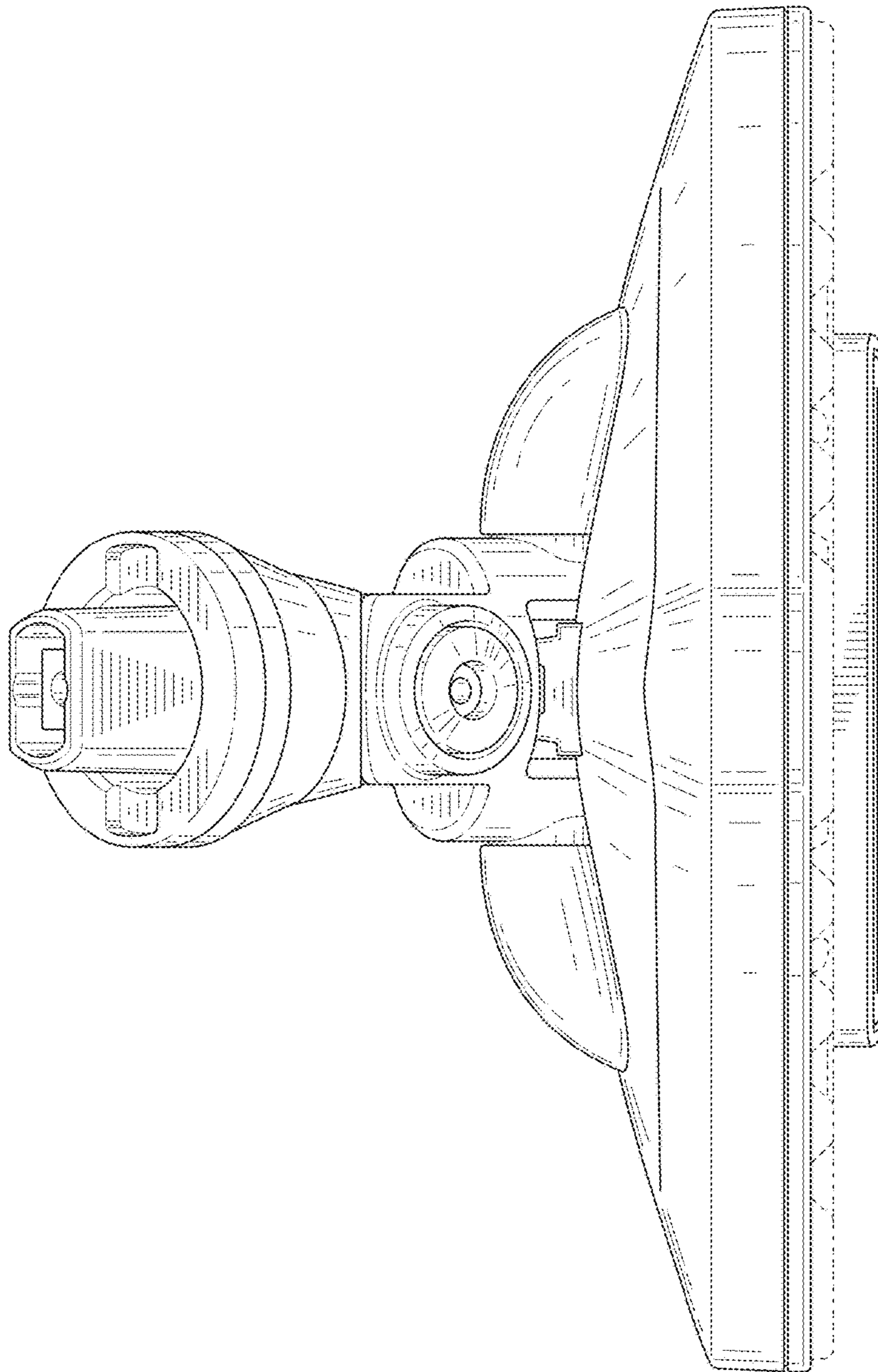


FIG. 9

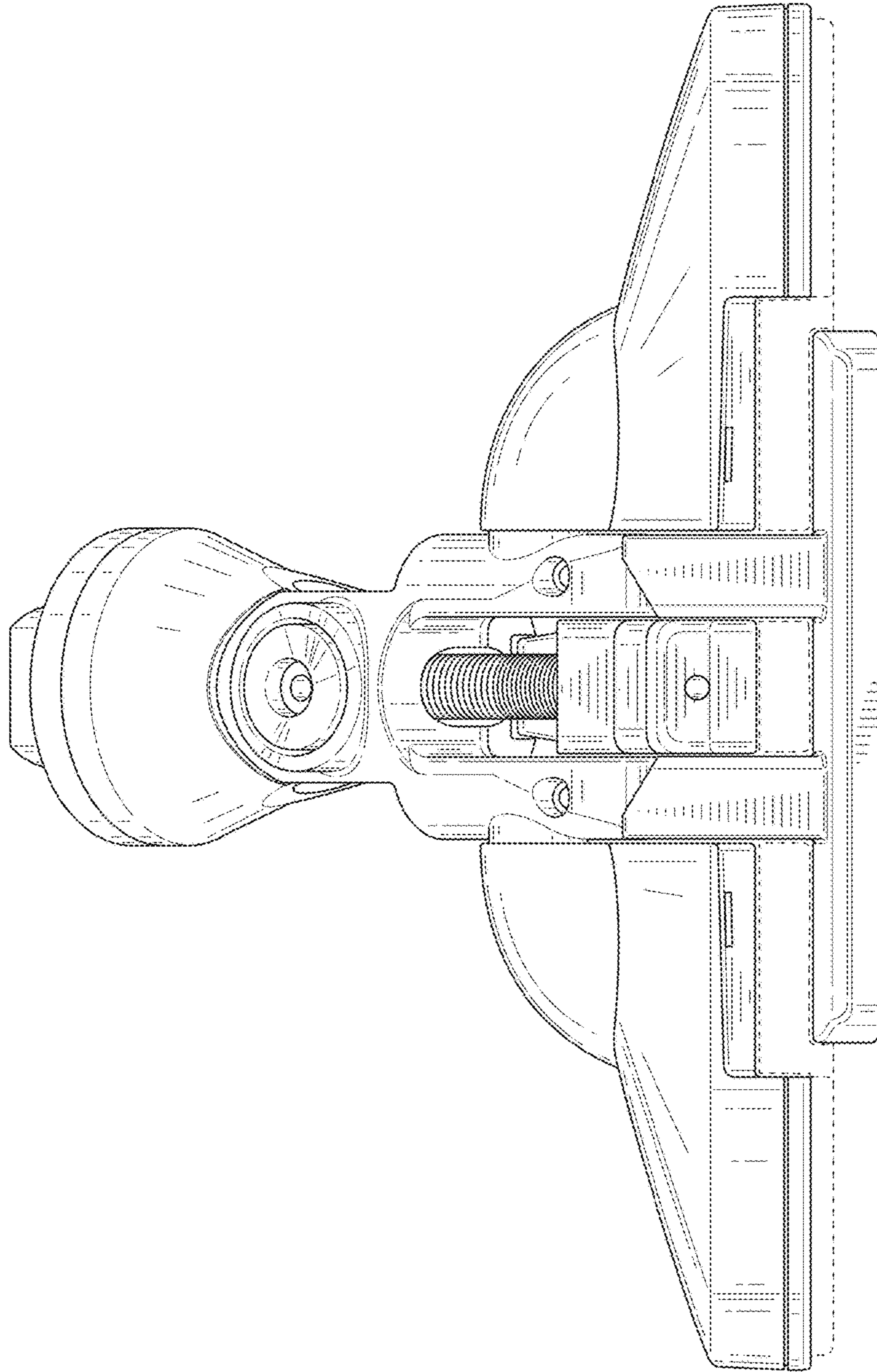


FIG. 10

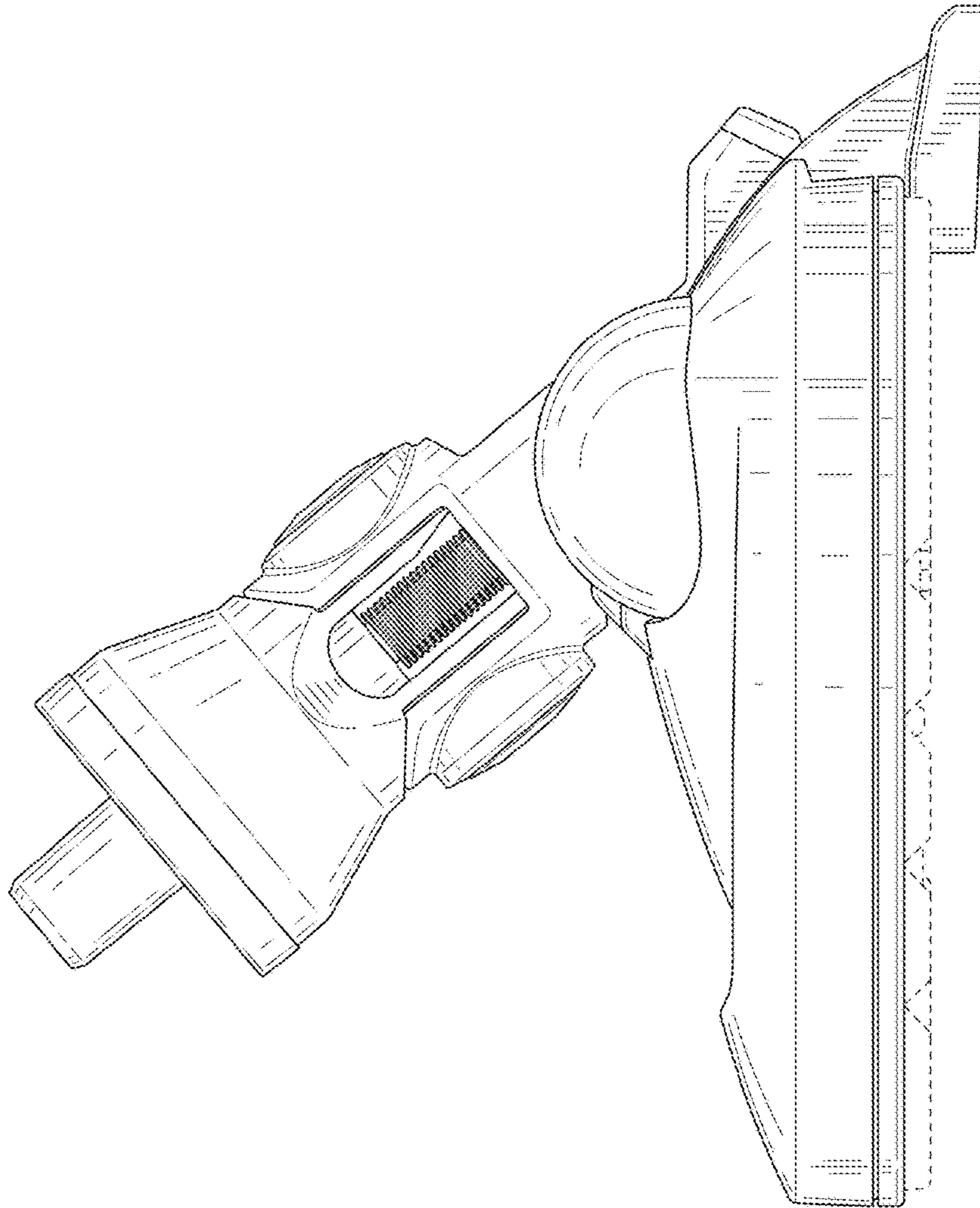


FIG. 11

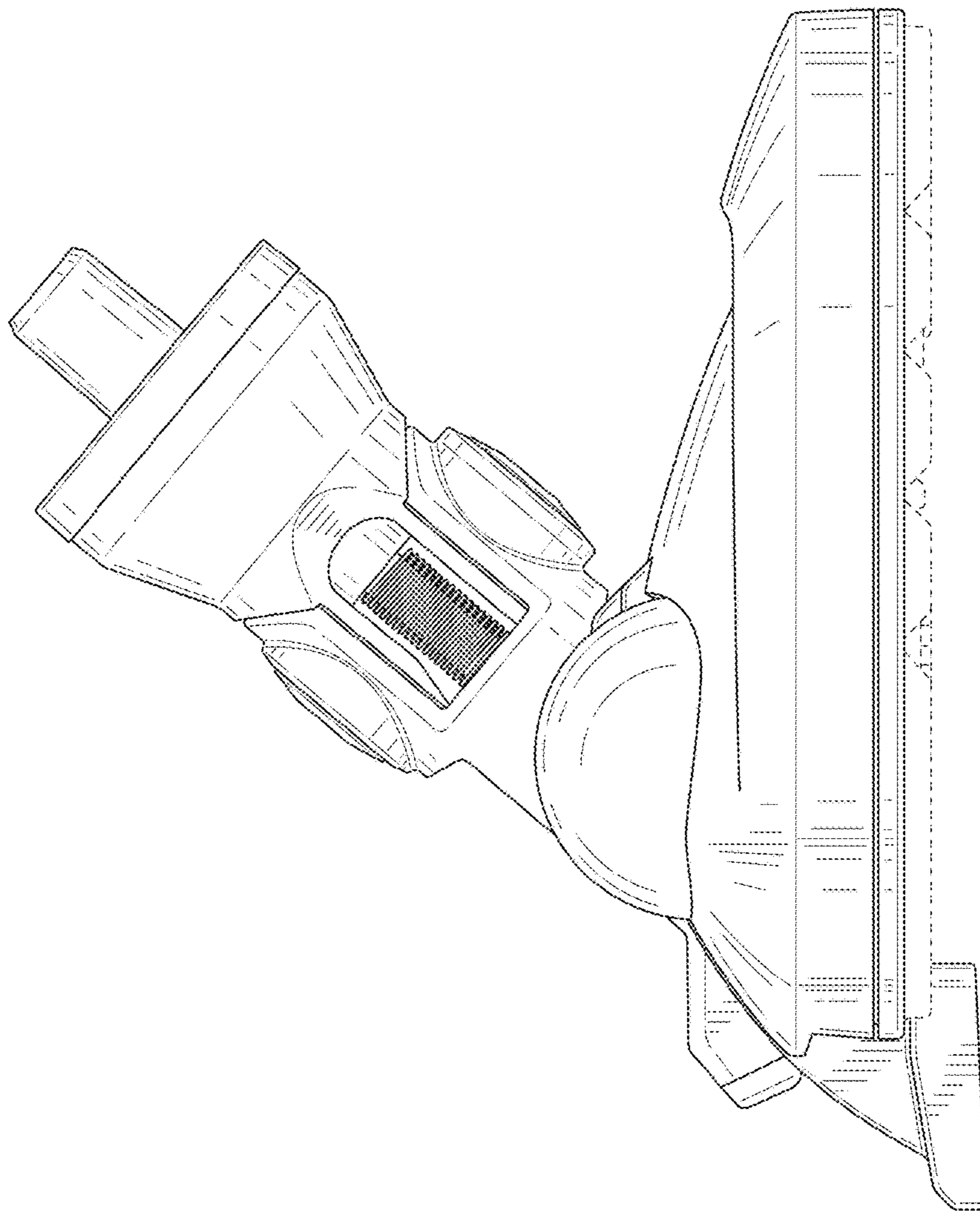


FIG. 12

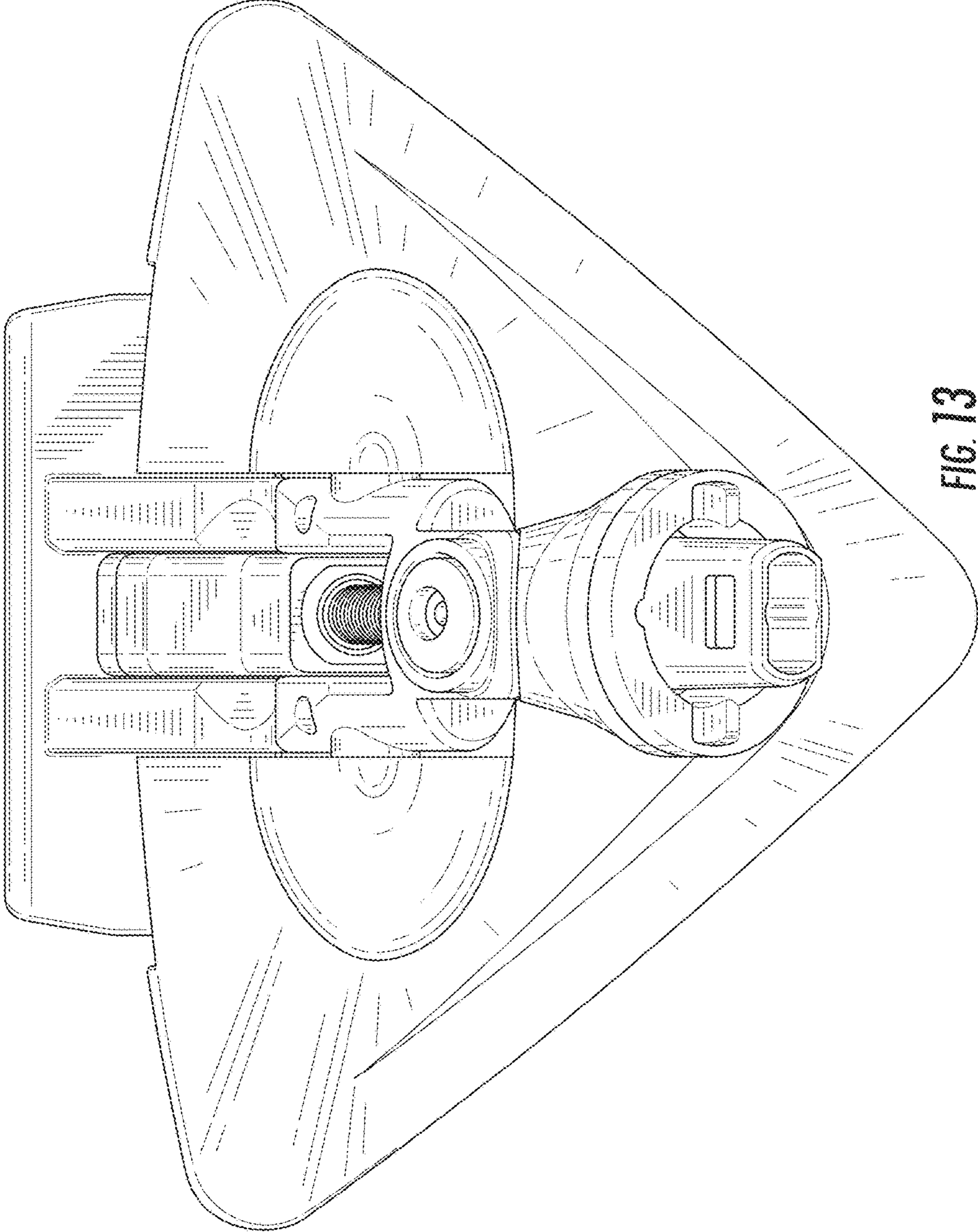


FIG. 13

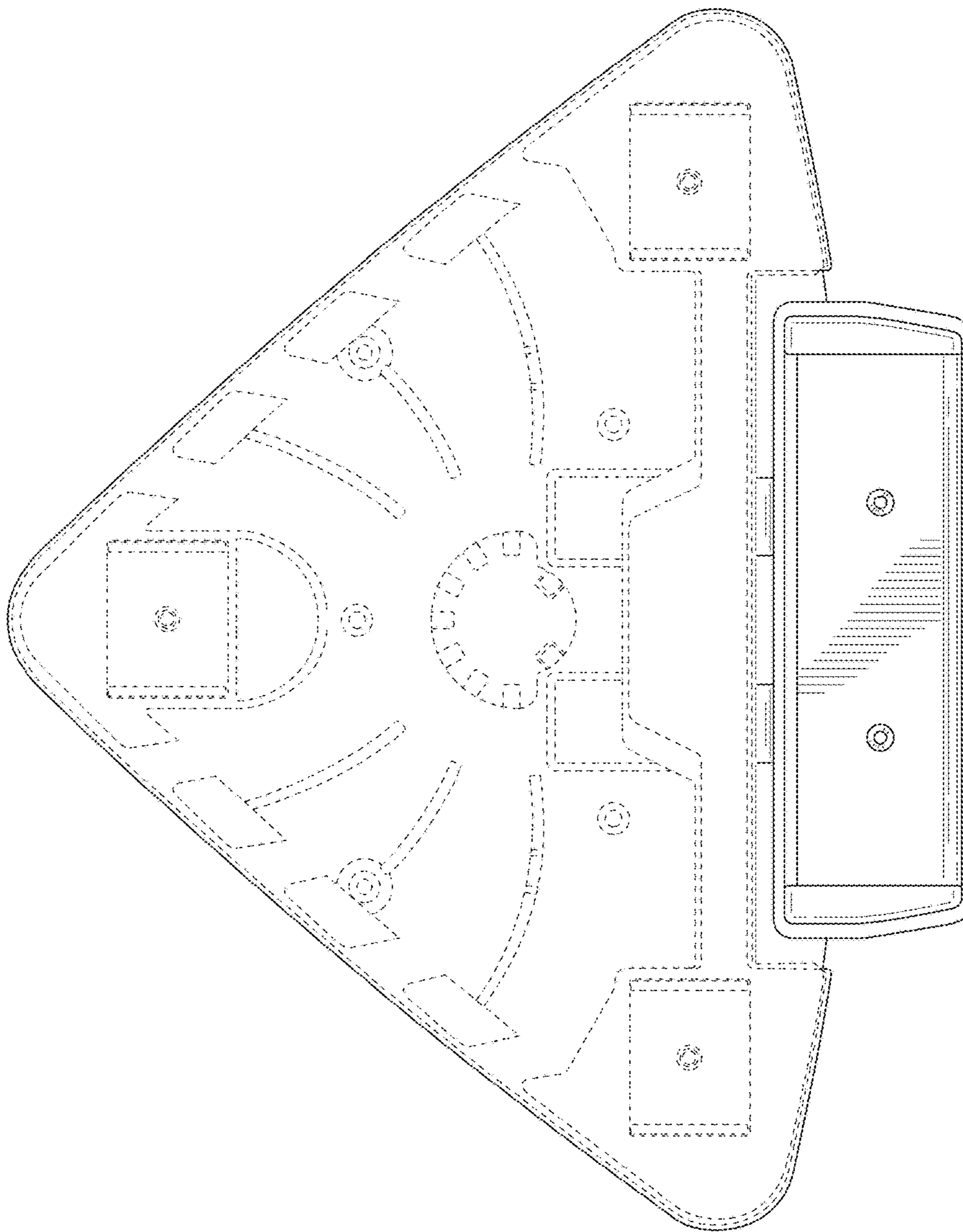


FIG. 14