



US00D833097S

(12) **United States Design Patent**  
**Niedzwecki et al.**

(10) **Patent No.:** **US D833,097 S**

(45) **Date of Patent:** **\*\* Nov. 6, 2018**

(54) **MOP HEAD**

(71) Applicant: **SharkNinja Operating LLC**, Newton, MA (US)

(72) Inventors: **Scott Benjamin Niedzwecki**, Walpole, MA (US); **Junghwan Chei**, Chestnut Hill, MA (US); **Dan Innes**, Newton Center, MA (US)

(73) Assignee: **SharkNinja Operating LLC**, Needham, MA (US)

(\*\*) Term: **15 Years**

(21) Appl. No.: **29/566,103**

(22) Filed: **May 26, 2016**

(51) **LOC (11) Cl.** ..... **07-05**

(52) **U.S. Cl.**  
USPC ..... **D32/50**

(58) **Field of Classification Search**  
USPC ..... D32/40–49, 50–52, 21–25, 31–33  
CPC ..... A63C 11/22; A47L 23/24; A47K 7/026;  
A63B 57/0087  
See application file for complete search history.

(56) **References Cited**

**U.S. PATENT DOCUMENTS**

D368,561 S *	4/1996	Hodges	.....	D32/50
D423,157 S *	4/2000	Hodges	.....	D32/40
D487,947 S *	3/2004	Pecci	.....	D32/32
D506,050 S *	6/2005	Lalanne	.....	D32/45
D599,517 S *	9/2009	Vrdoljak	.....	A47L 13/225
				D32/40
D615,260 S *	5/2010	Koenig	.....	D32/45
D658,835 S *	5/2012	Houghton	.....	D32/45
D658,837 S *	5/2012	Ediger	.....	D32/50
D673,337 S *	12/2012	Chow	.....	D32/45
D685,557 S *	7/2013	Rosenzweig	.....	D32/45
D685,966 S *	7/2013	Houghton	.....	D32/45
D694,484 S *	11/2013	Angel	.....	D32/50

D698,510 S *	1/2014	Chu	.....	D32/32
D703,407 S *	4/2014	Xiong	.....	D32/45
D709,258 S *	7/2014	Guder	.....	D32/32

(Continued)

**FOREIGN PATENT DOCUMENTS**

JP D1490315 \* 2/2014

**OTHER PUBLICATIONS**

AmazonSmile—Shark Genius Steam Pocket Mop System, review date Dec. 2016, [https://smile.amazon.com/Shark-Genius-Pocket-System-S5003D/dp/B01KU4BSGK/ref=cm\\_cr\\_arp\\_d\\_product\\_top?ie=UTF8](https://smile.amazon.com/Shark-Genius-Pocket-System-S5003D/dp/B01KU4BSGK/ref=cm_cr_arp_d_product_top?ie=UTF8), [site visited Jul. 19, 2017 11:33:28 PM].\*

*Primary Examiner* — John Windmuller  
*Assistant Examiner* — John R Yeh

(74) *Attorney, Agent, or Firm* — Grossman Tucker Perreault & Pfeleger, PLLC

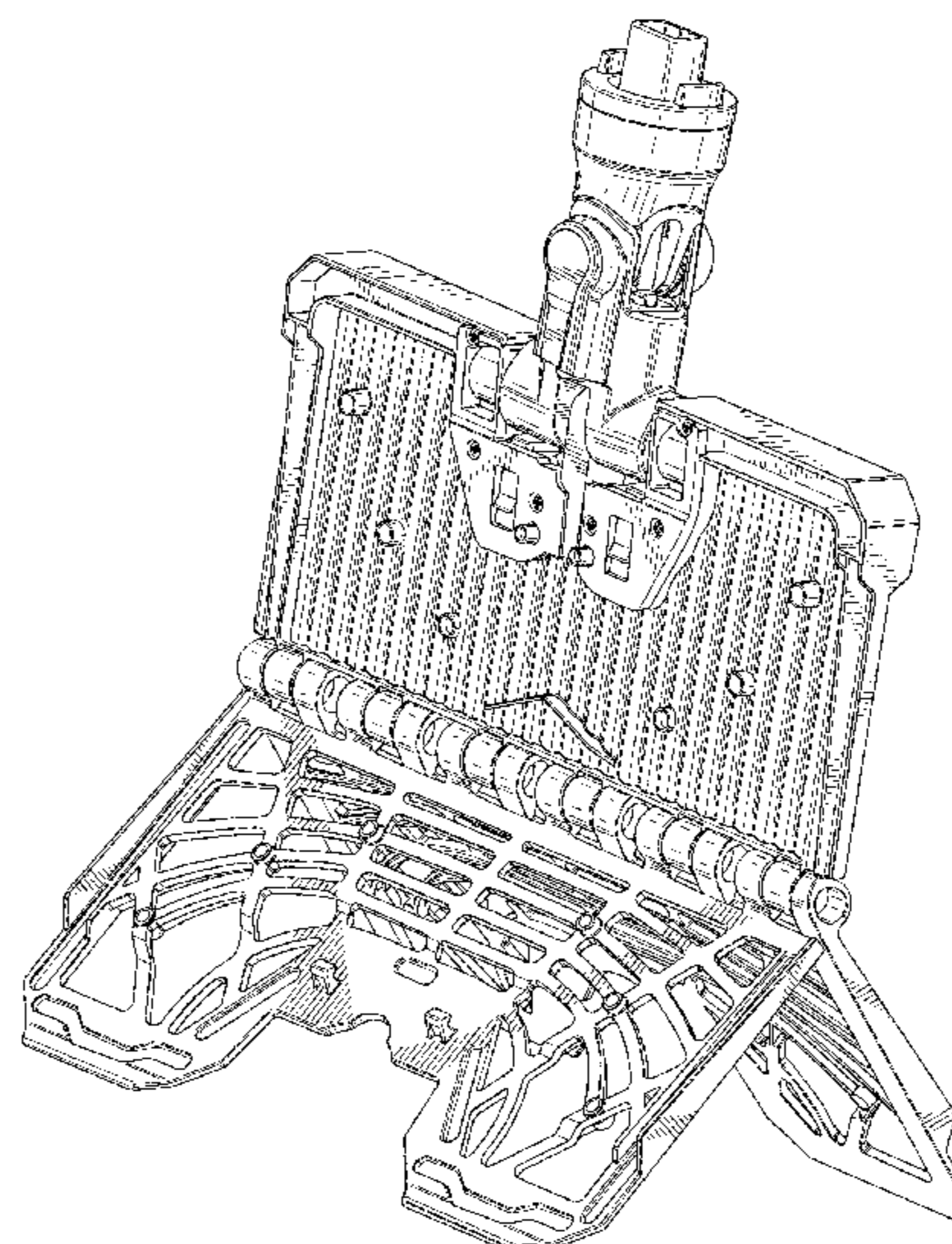
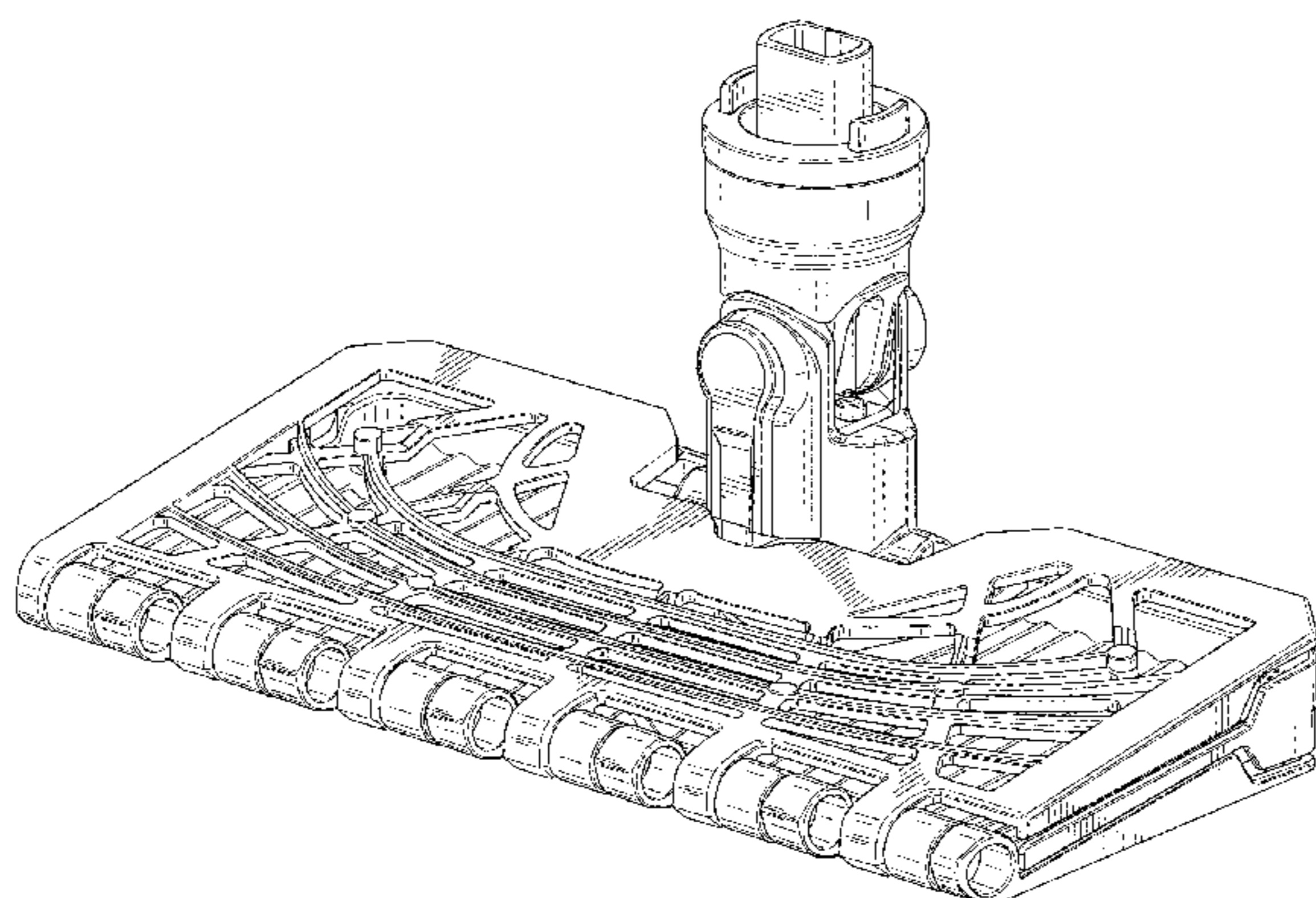
(57) **CLAIM**

The ornamental design for a mop head, as shown and described.

**DESCRIPTION**

FIG. 1 is a perspective view of a mop head in accordance with our design;  
FIG. 2 is a front view of the mop head of FIG. 1;  
FIG. 3 is a back view of the mop head of FIG. 1;  
FIG. 4 is a first side view of the mop head of FIG. 1;  
FIG. 5 is a second side view of the mop head of FIG. 1;  
FIG. 6 is a top view of the mop head of FIG. 1;  
FIG. 7 is a bottom view of the mop head of FIG. 1;  
FIG. 8 is a perspective view of the mop head in an alternative position of use;  
FIG. 9 is a front view of the mop head of FIG. 8;  
FIG. 10 is a back view of the mop head of FIG. 8;  
FIG. 11 is a first side view of the mop head of FIG. 8;  
FIG. 12 is a second side view of the mop head of FIG. 8;  
FIG. 13 is a top view of the mop head of FIG. 8; and,  
FIG. 14 is a bottom view of the mop head of FIG. 8.

**1 Claim, 14 Drawing Sheets**



(56)

**References Cited**

U.S. PATENT DOCUMENTS

D711,058	S *	8/2014	Crawley	.....	D32/45
D742,607	S *	11/2015	Crawley	.....	D32/32
D747,054	S *	1/2016	Seifts	.....	D32/45
D765,331	S *	8/2016	Chei	.....	D32/45
D765,332	S *	8/2016	Niedzwecki	.....	D32/45
D767,222	S *	9/2016	Houghton	.....	D32/31
9,521,940	B2 *	12/2016	Johnson	.....	A47L 11/4002
D789,007	S *	6/2017	Jang	.....	D32/32
2005/0091775	A1 *	5/2005	Lindholm	.....	A47L 13/258 15/147.1
2011/0240068	A1 *	10/2011	Rosenzweig	.....	A47L 13/225 134/105

\* cited by examiner



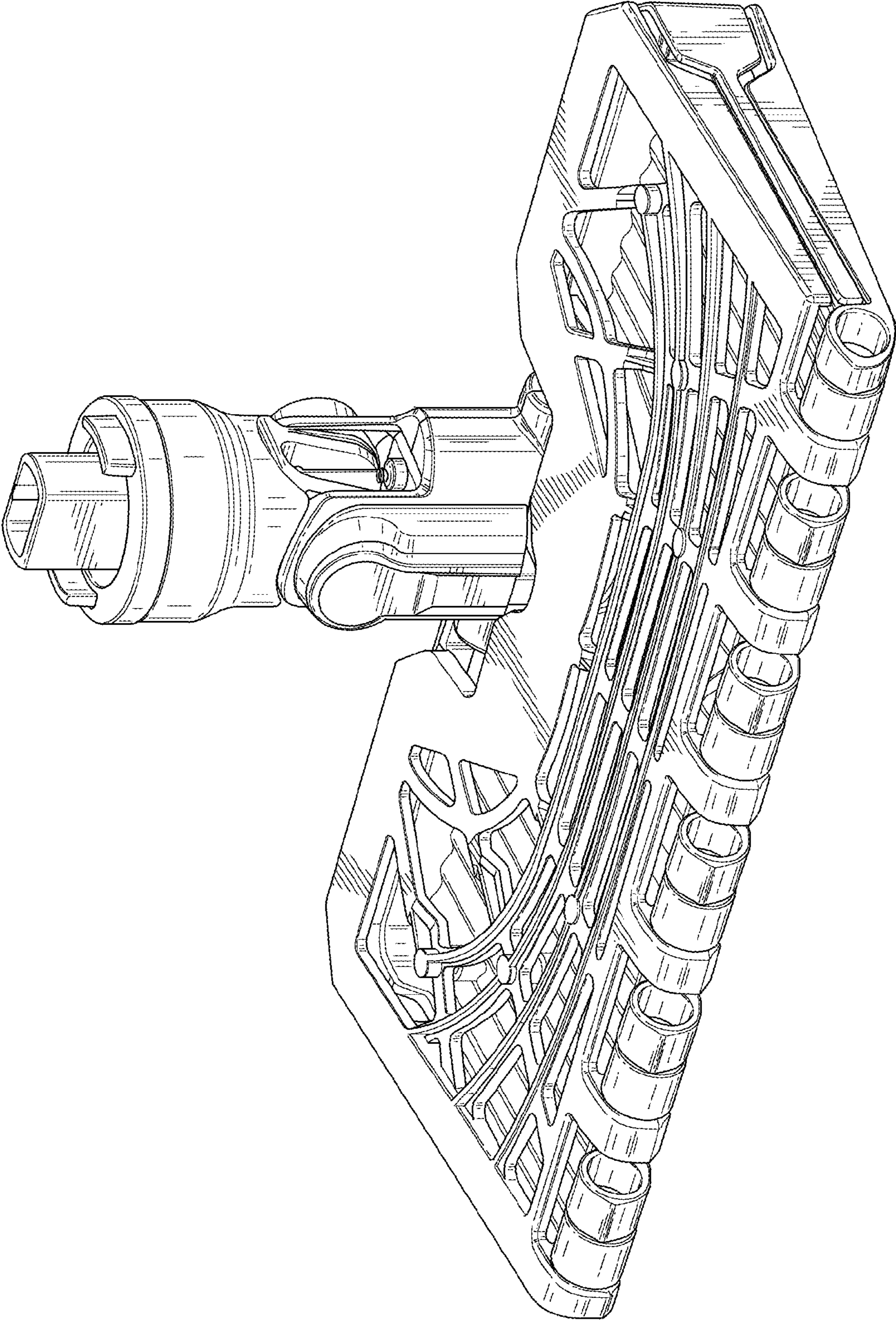


FIG. 1

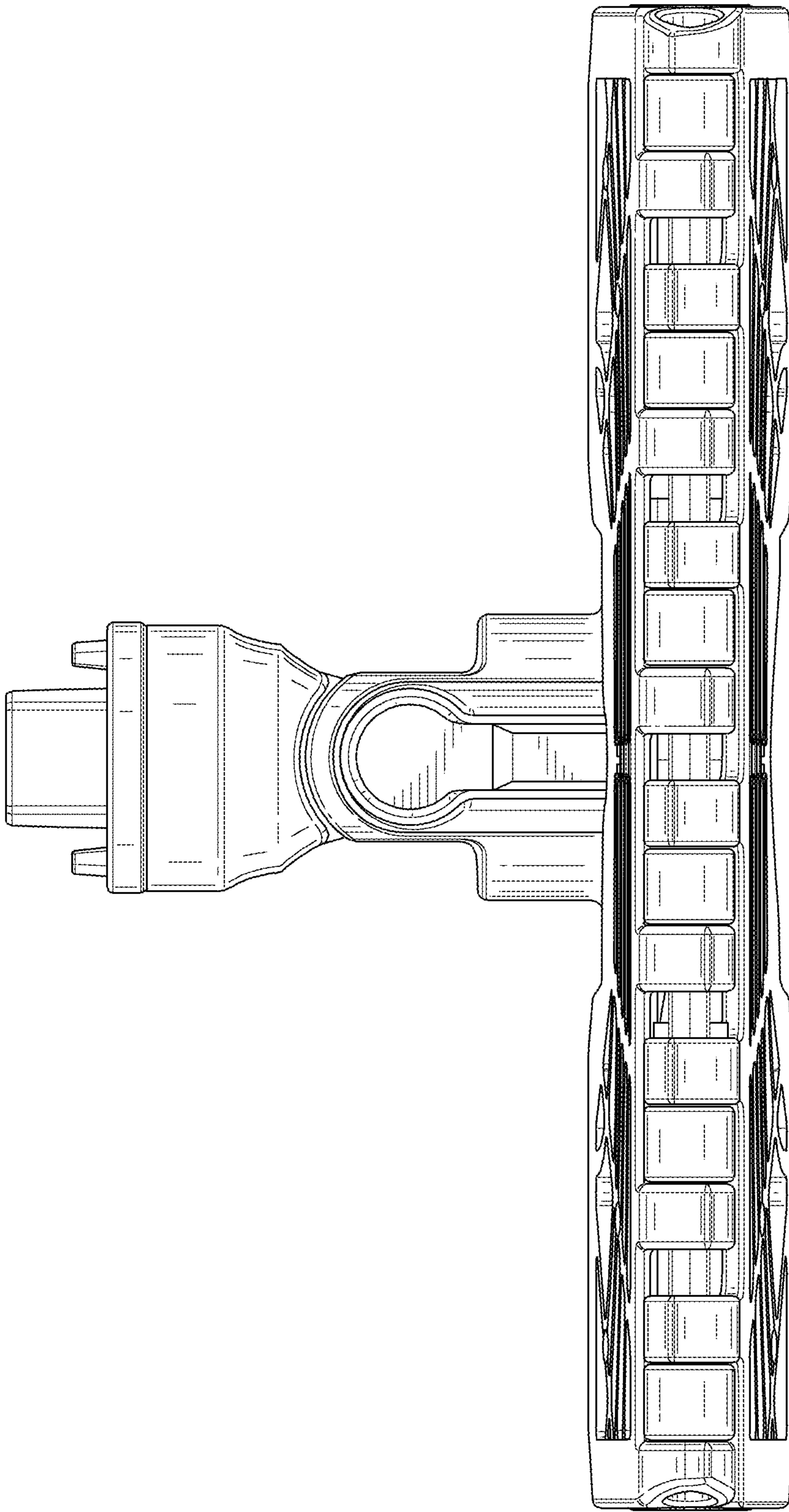


FIG. 2

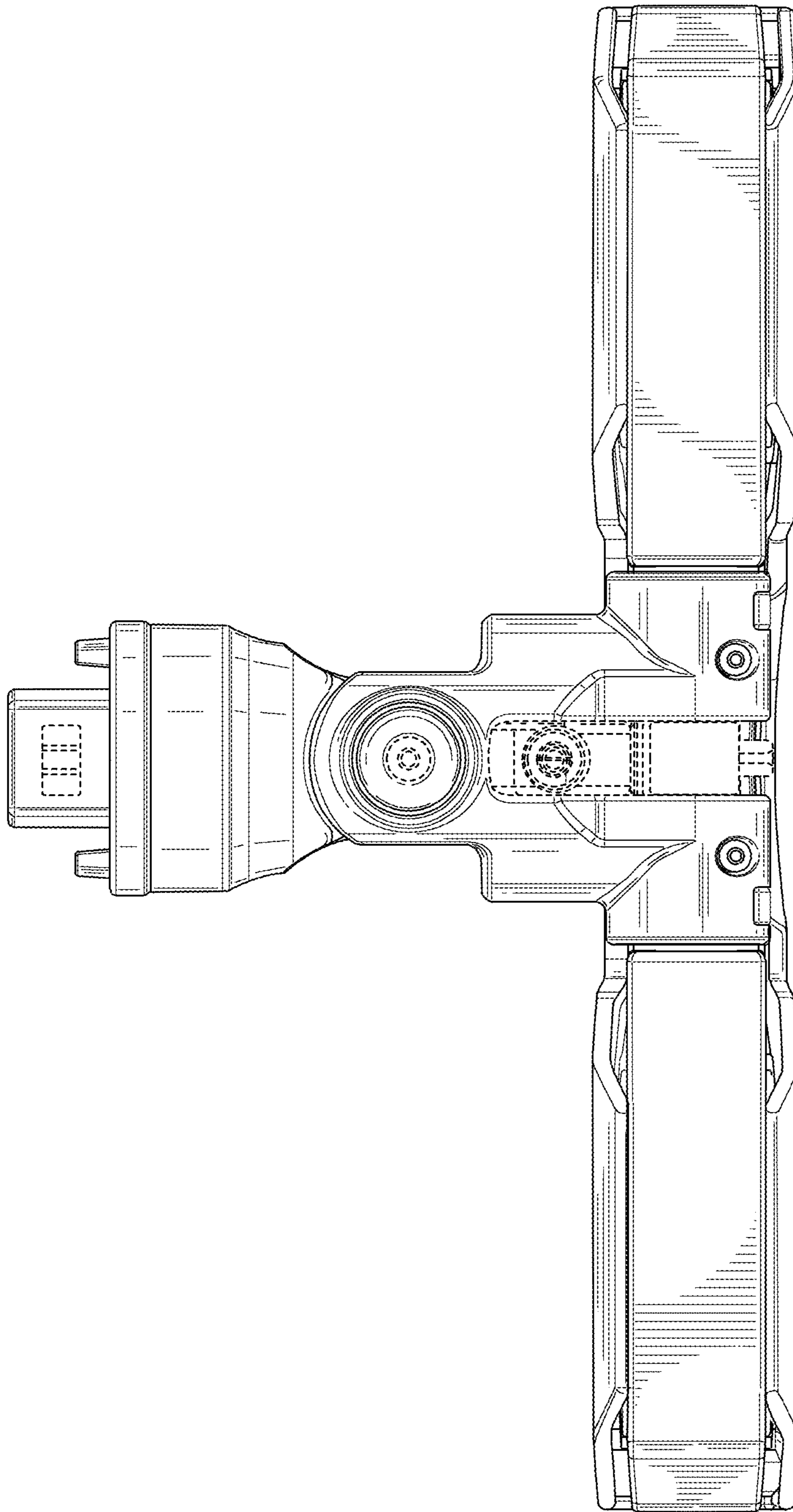


FIG. 3



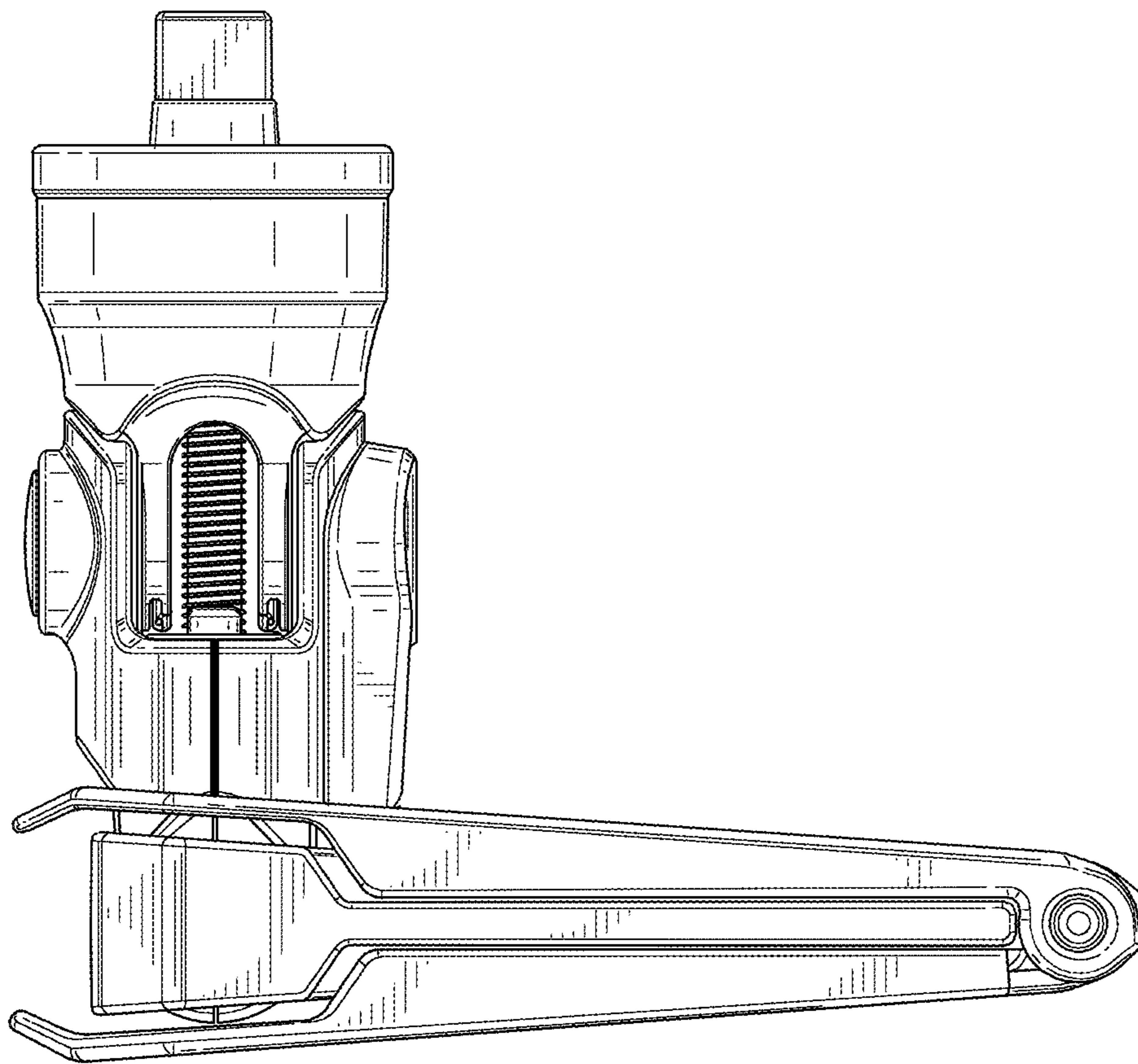


FIG. 4

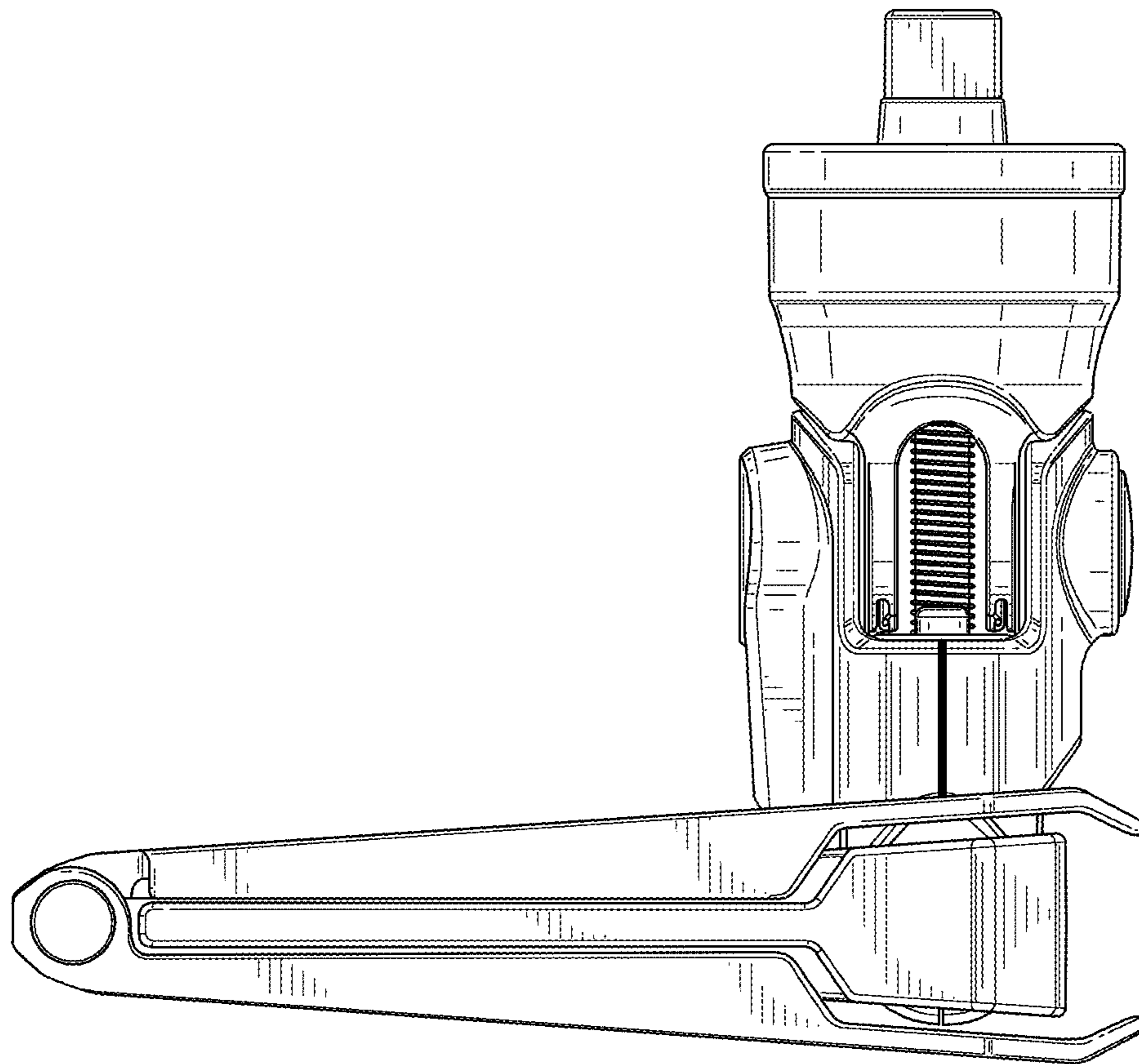


FIG. 5

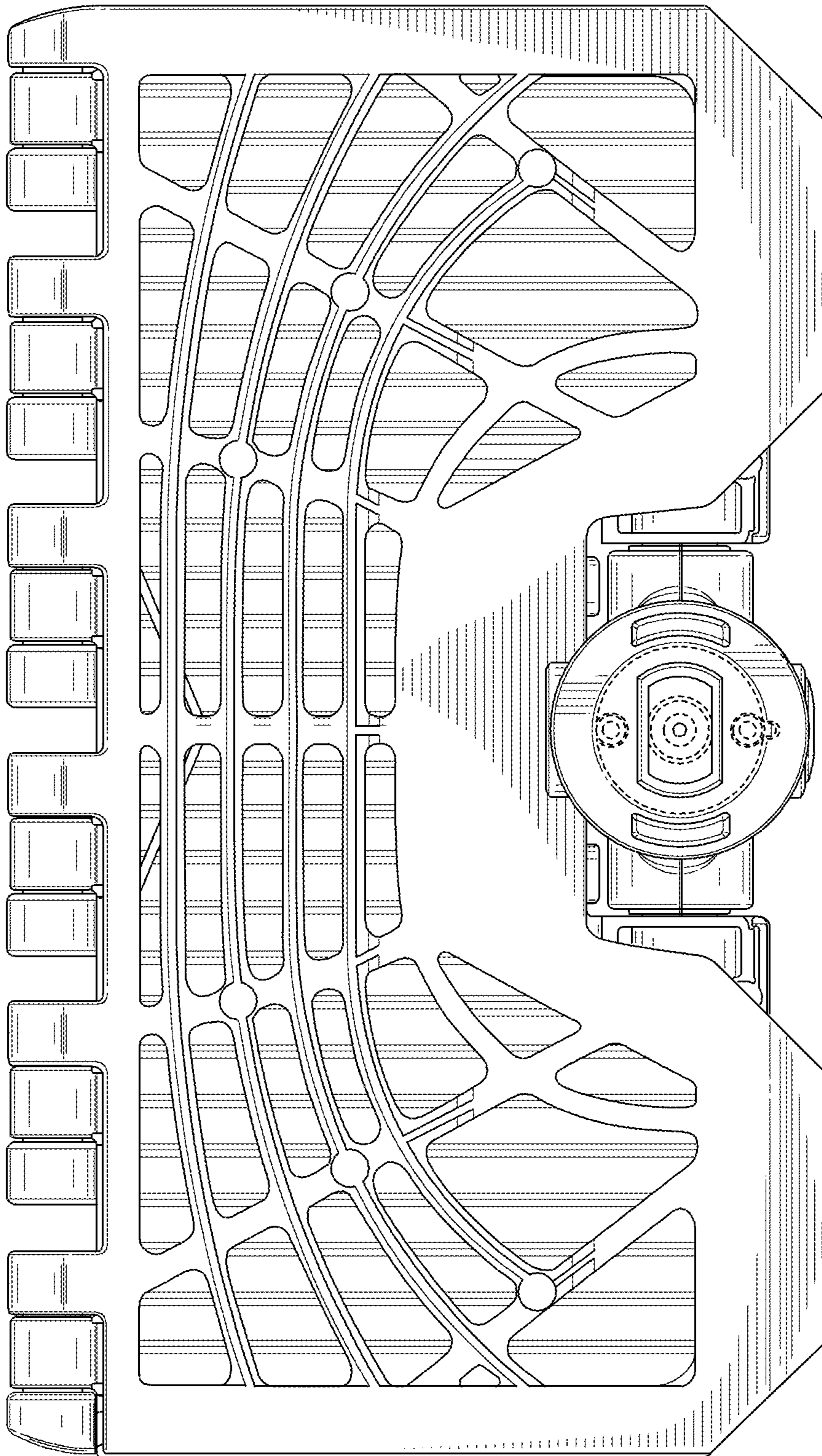


FIG. 6



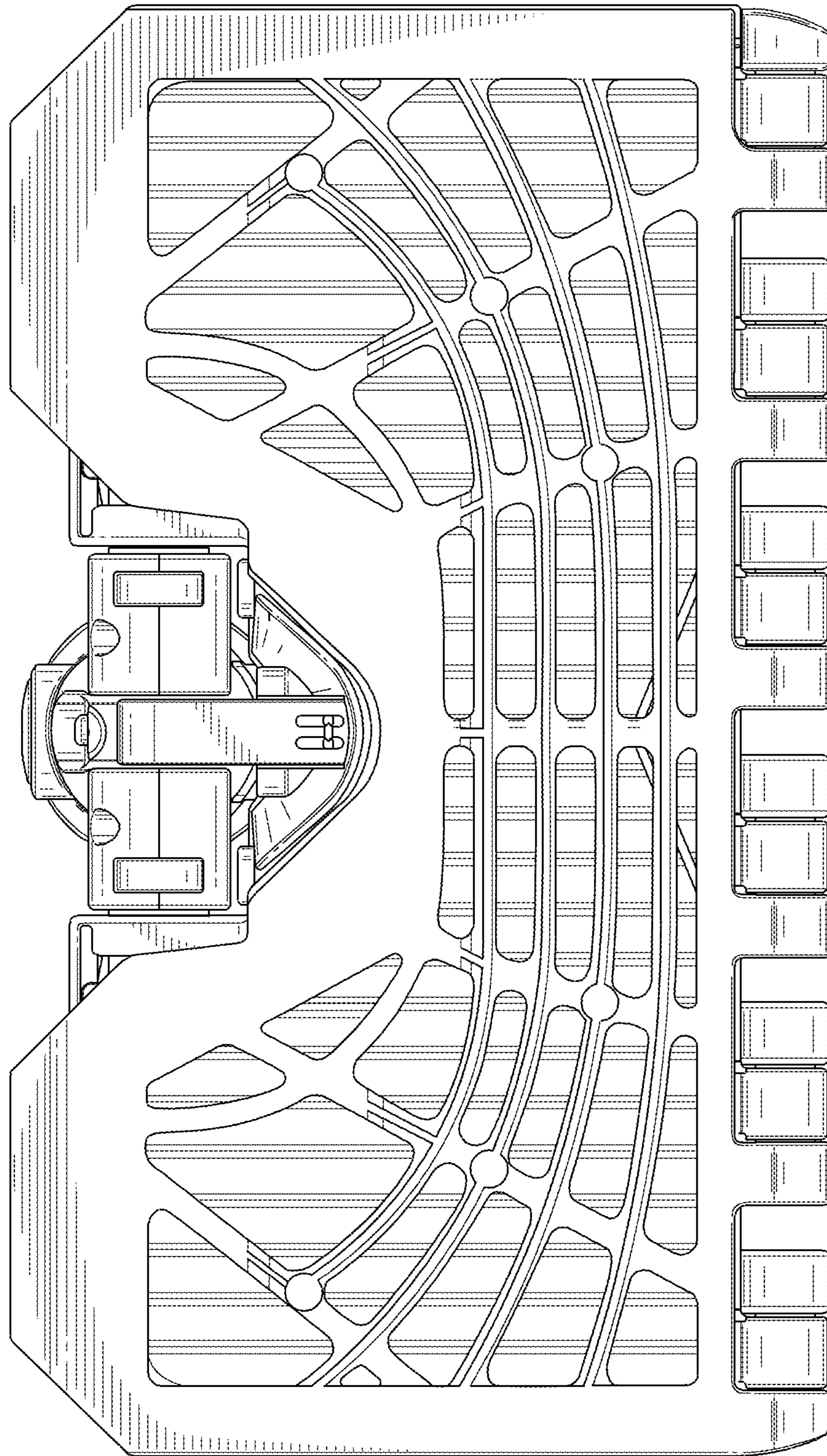


FIG. 7



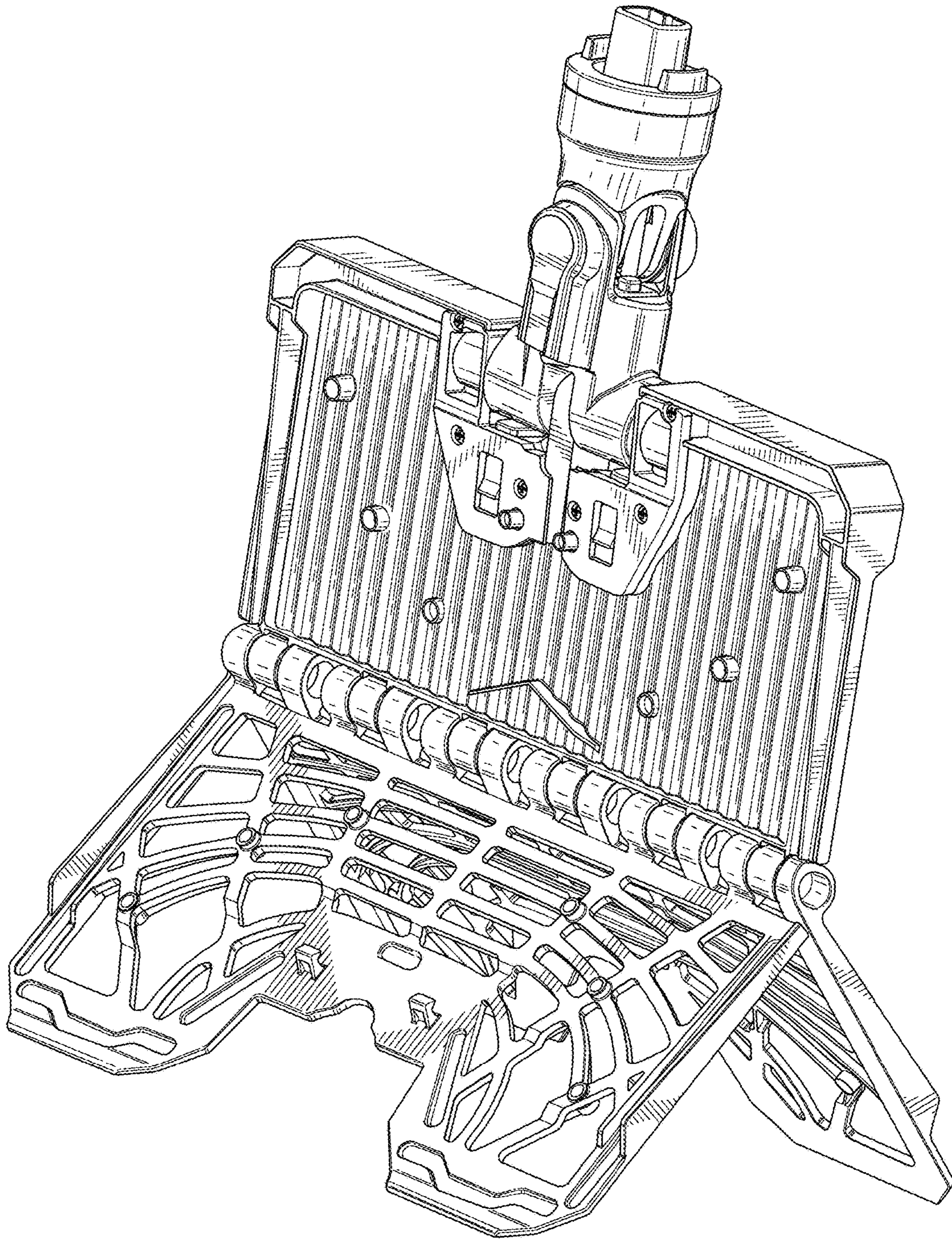


FIG. 8



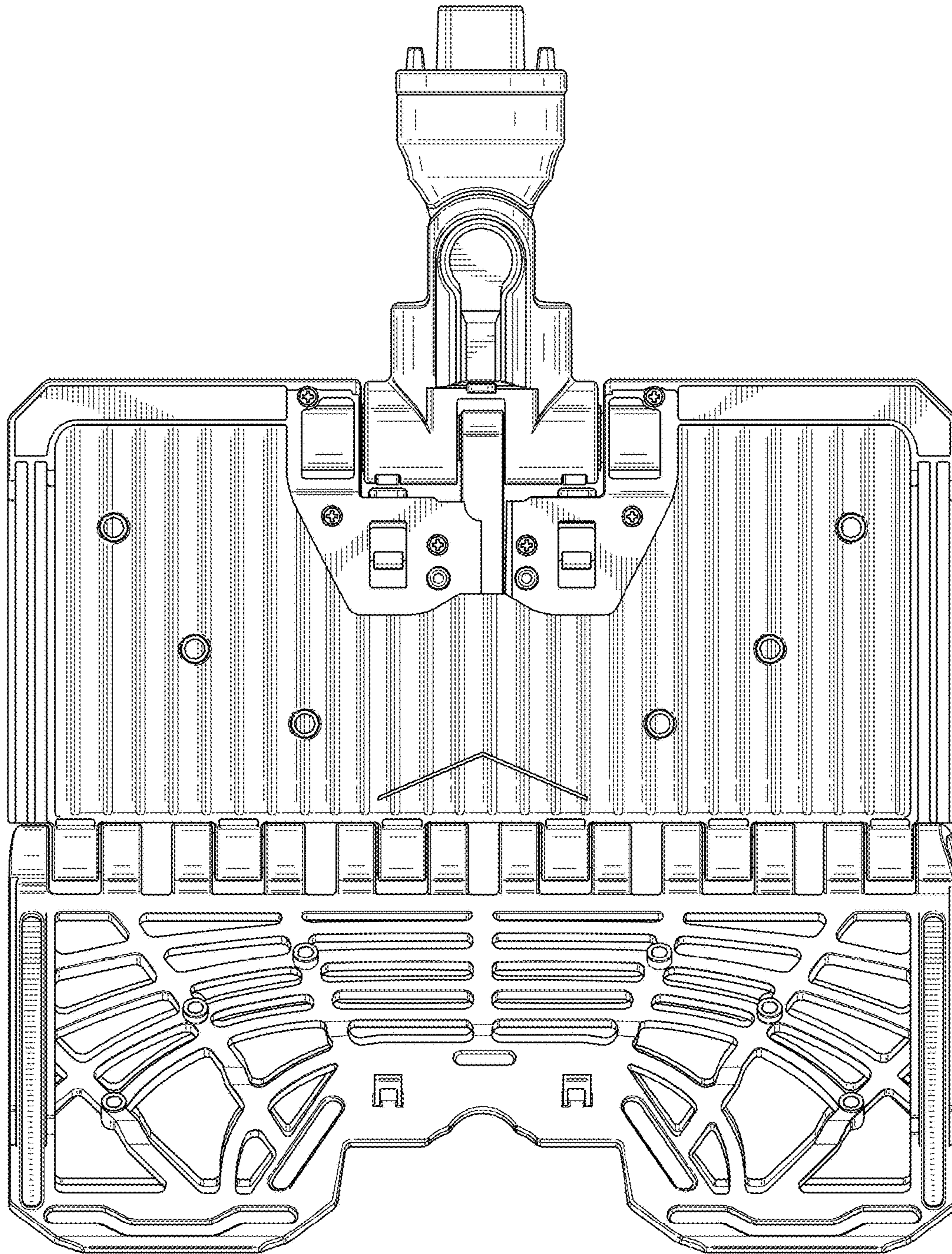


FIG. 9



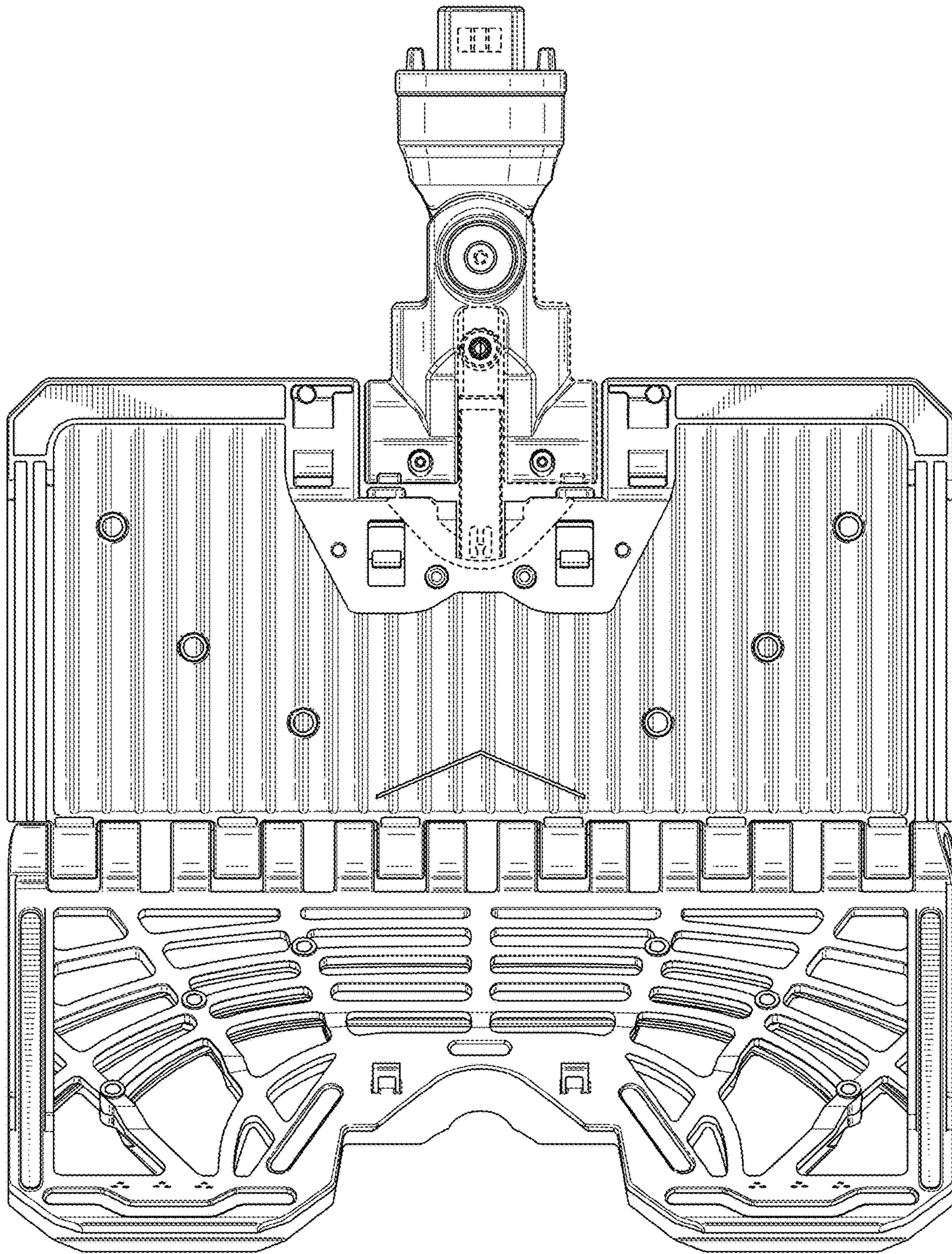
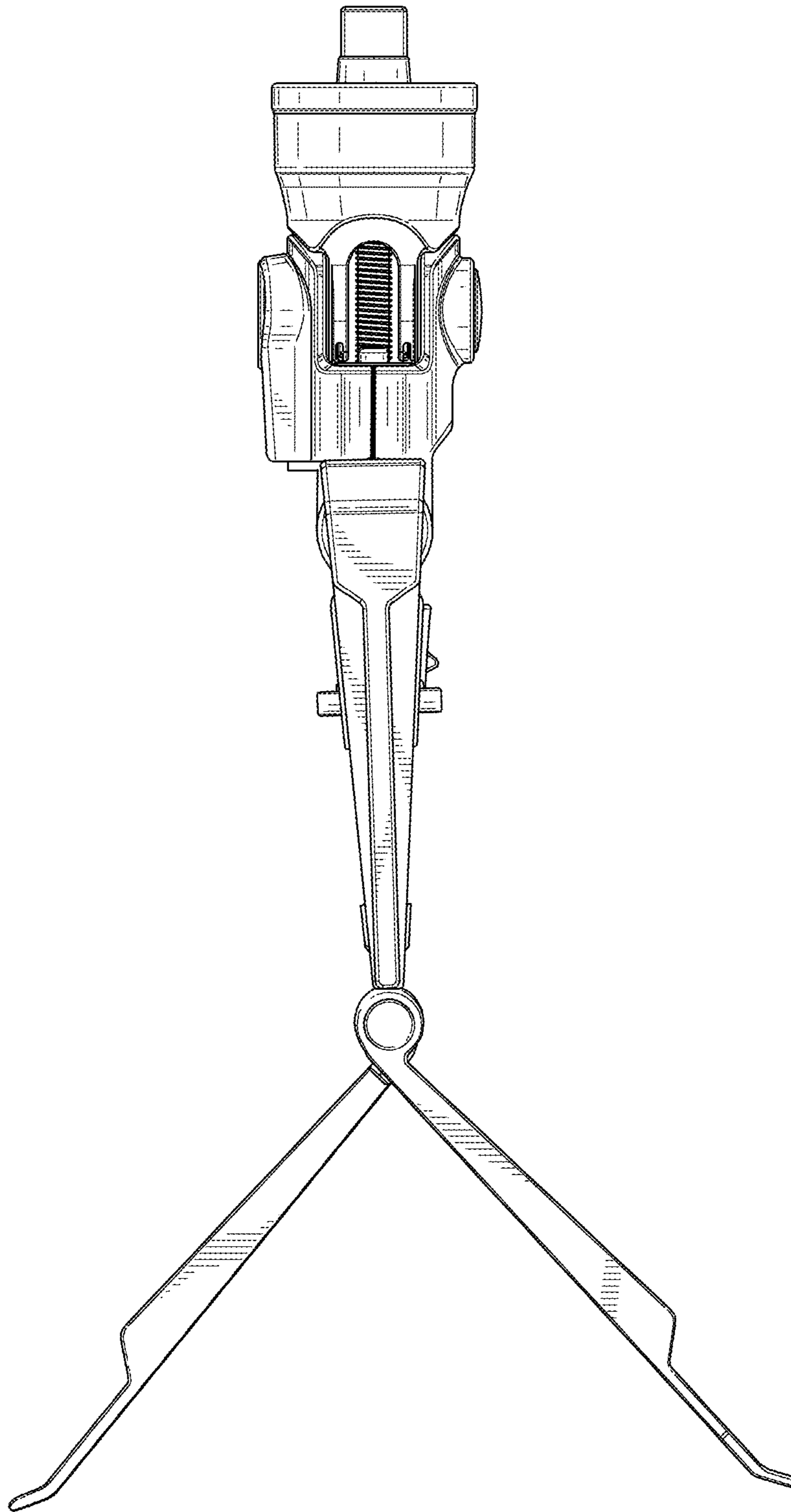
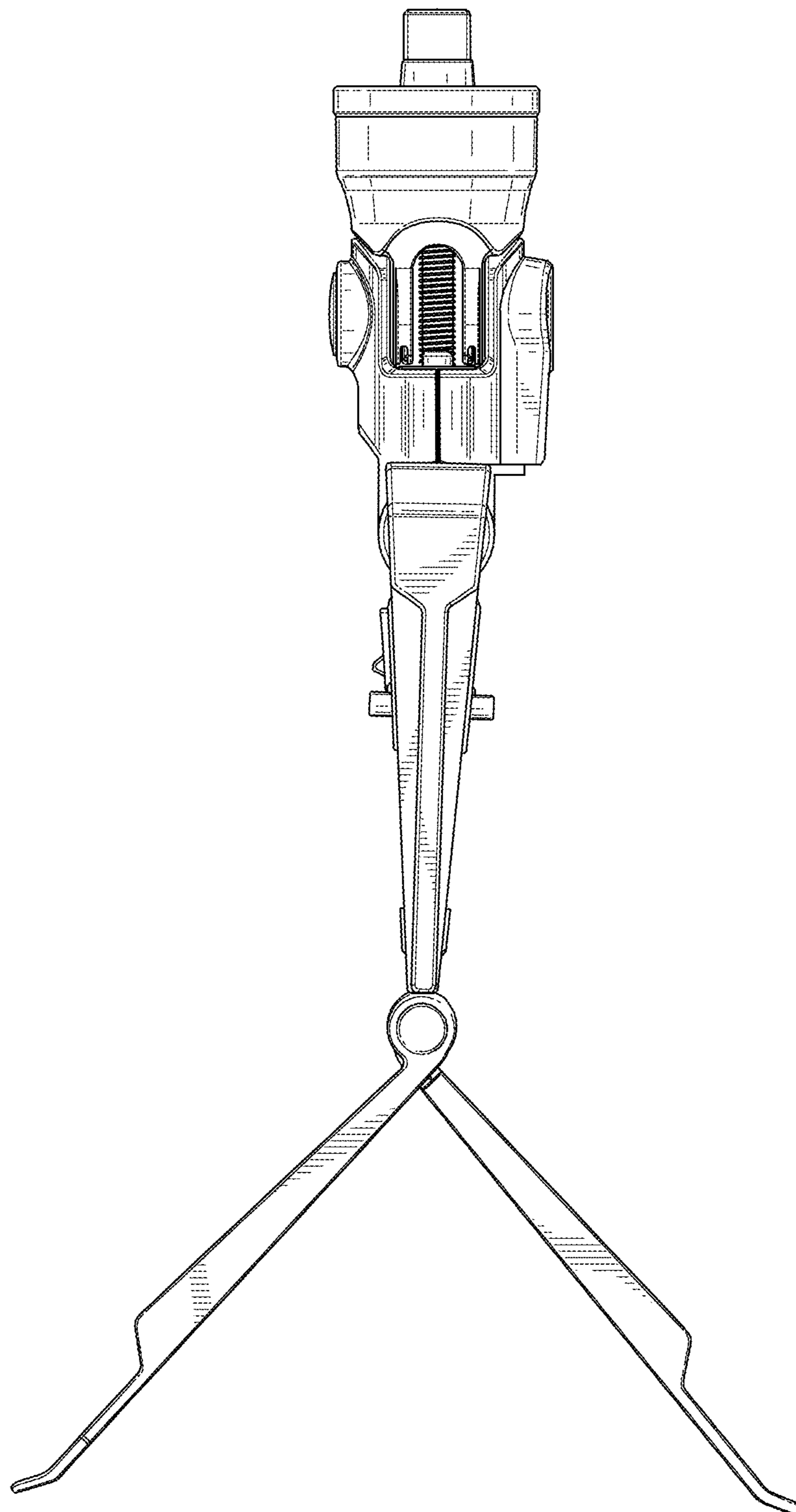


FIG. 10



**FIG. 11**



**FIG. 12**



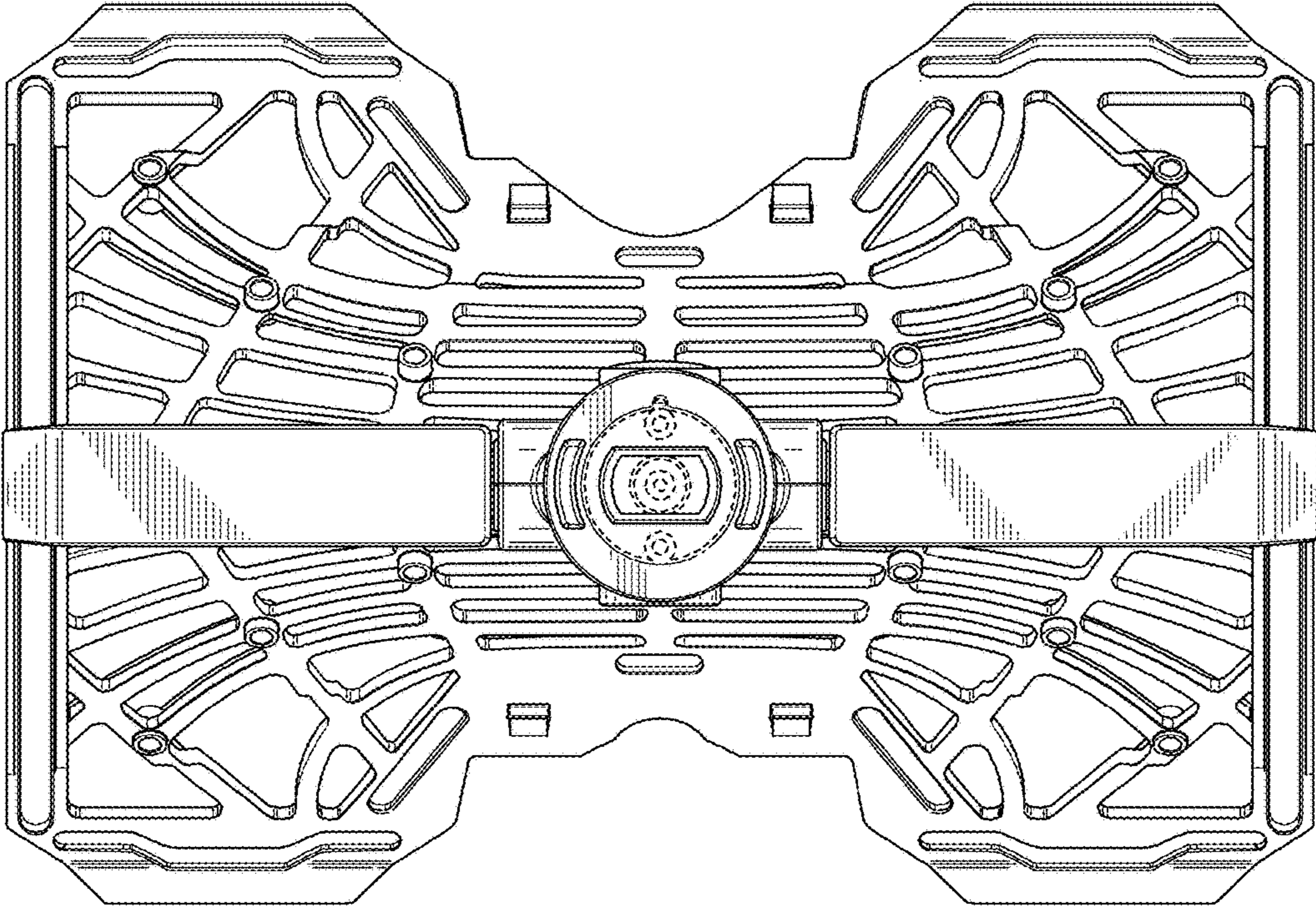


FIG. 13

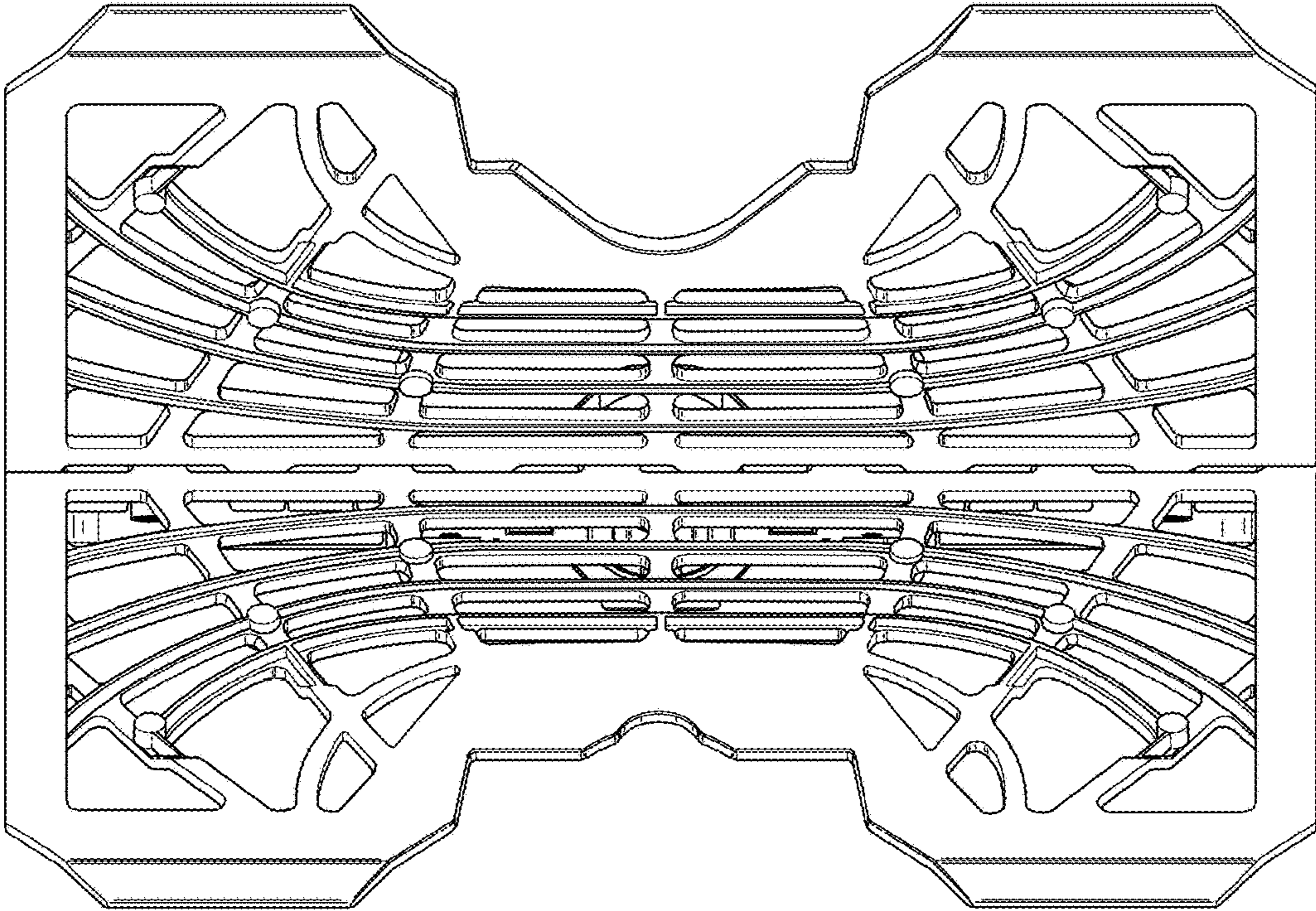


FIG. 14