



US00D833095S

(12) **United States Design Patent**  
**Li**

(10) **Patent No.:** **US D833,095 S**

(45) **Date of Patent:** **\*\* Nov. 6, 2018**

(54) **SILICON MAKEUP BRUSH CLEANER**

8,356,378 B1 \* 1/2013 Crooms ..... A47L 13/19  
15/104.94

(71) Applicant: **LOFTK Tech Info Co., LTD.**,  
Shenzhen (CN)

8,677,544 B1 \* 3/2014 Raven ..... A47L 13/12  
15/104.001

(72) Inventor: **Jinfang Li**, Shenzhen (CN)

D782,138 S \* 3/2017 Xavier ..... D32/35  
2005/0177965 A1 \* 8/2005 Edoh ..... A47L 13/18  
15/160

(\*\*) Term: **15 Years**

2006/0191092 A1 \* 8/2006 O'Reilly ..... A47L 13/18  
15/227

(21) Appl. No.: **29/589,838**

(Continued)

(22) Filed: **Jan. 5, 2017**

**OTHER PUBLICATIONS**

(51) **LOC (11) Cl.** ..... **07-05**

[https://www.amazon.com/MelodySusie-Makeup-Cleaner-Cleaning-Brushes/dp/B01KLFNQ8Q/ref=sr\\_1\\_1\\_a\\_it?ie=UTF8&qid=1522062773&sr=8-1&keywords=silicon+makeup+brush+apple+shape](https://www.amazon.com/MelodySusie-Makeup-Cleaner-Cleaning-Brushes/dp/B01KLFNQ8Q/ref=sr_1_1_a_it?ie=UTF8&qid=1522062773&sr=8-1&keywords=silicon+makeup+brush+apple+shape) Mar. 26, 2018 accessed.\*

(52) **U.S. Cl.**

USPC ..... **D32/35**

(58) **Field of Classification Search**

USPC ..... D32/1, 15, 21, 23, 31, 33, 35, 46-48;  
D28/21-23, 28-31; D4/199

CPC ..... A61Q 1/10; A46B 17/06; A46B 13/04;  
A45D 24/46; A47K 1/09; A61L 2/10;  
B44D 3/006

See application file for complete search history.

*Primary Examiner* — Michelle E. Wilson

(74) *Attorney, Agent, or Firm* — Prakash Nama; Global IP Services, PLLC

(56) **References Cited**

(57) **CLAIM**

The ornamental design for a silicon makeup brush cleaner, as shown and described.

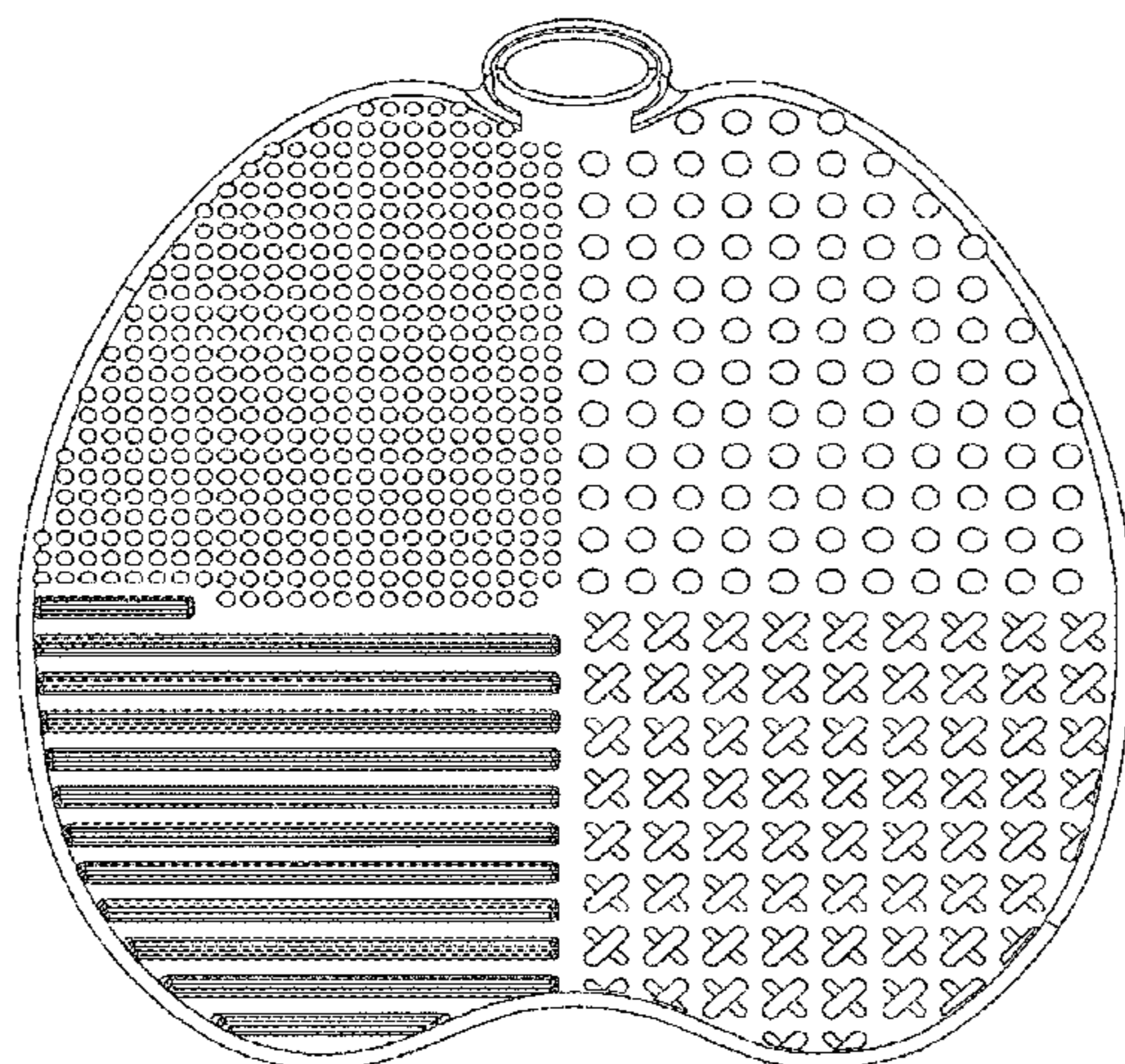
**U.S. PATENT DOCUMENTS**

**DESCRIPTION**

- D256,181 S \* 8/1980 Kupperman ..... D29/118
- D268,968 S \* 5/1983 Sami ..... 15/227
- 4,980,943 A \* 1/1991 Barber ..... A47L 13/18  
15/227
- 5,441,355 A \* 8/1995 Moore ..... A46B 5/04  
15/227
- D363,606 S \* 10/1995 Abrahamson ..... D2/610
- 6,460,190 B1 \* 10/2002 Blum ..... A47L 13/12  
2/158
- D477,690 S \* 7/2003 Howell ..... D29/118
- D526,096 S \* 8/2006 Kaposi ..... D29/118
- D528,251 S \* 9/2006 Lion ..... D29/118
- 7,117,536 B2 \* 10/2006 Burnett ..... A41D 13/087  
2/16
- 7,234,170 B2 \* 6/2007 Simic ..... A41D 19/0058  
2/16
- D569,578 S \* 5/2008 Yan ..... D2/614
- D650,522 S \* 12/2011 Gundersen ..... D28/7
- D651,408 S \* 1/2012 Farkas ..... D2/614

FIG. 1 is a front elevational view of a silicon makeup brush cleaner showing my new design;  
FIG. 2 is a rear elevational view thereof;  
FIG. 3 is a left side view in enlarge scale thereof;  
FIG. 4 is a right side view in enlarge scale thereof;  
FIG. 5 is a top plan view thereof;  
FIG. 6 is a bottom plan view thereof;  
FIG. 7 is a perspective view thereof;  
FIG. 8 is a second perspective view thereof;  
FIG. 9 is a third perspective view thereof; and,  
FIG. 10 is a fourth perspective view thereof.  
The broken lines shown in FIGS. form no part of the claimed design.

**1 Claim, 10 Drawing Sheets**



(56)

**References Cited**

U.S. PATENT DOCUMENTS

2006/0272116 A1\* 12/2006 Thompson ..... A47L 13/18  
15/227  
2007/0048063 A1\* 3/2007 Bauer ..... A47K 7/03  
401/7  
2007/0118963 A1\* 5/2007 Snyder ..... A61H 7/003  
2/158  
2014/0000052 A1\* 1/2014 Filho ..... A47L 13/18  
15/227

\* cited by examiner

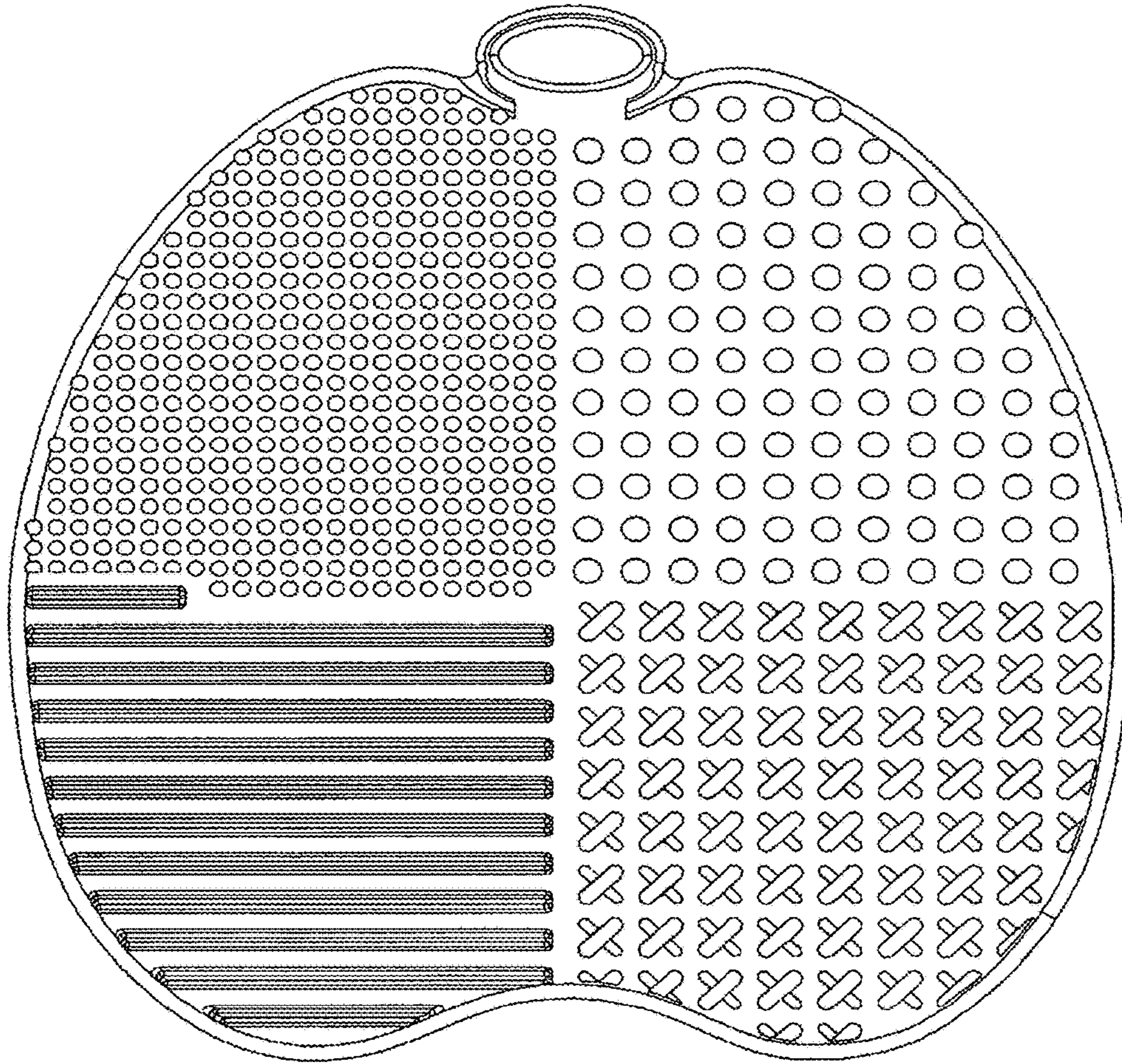


Fig. 1

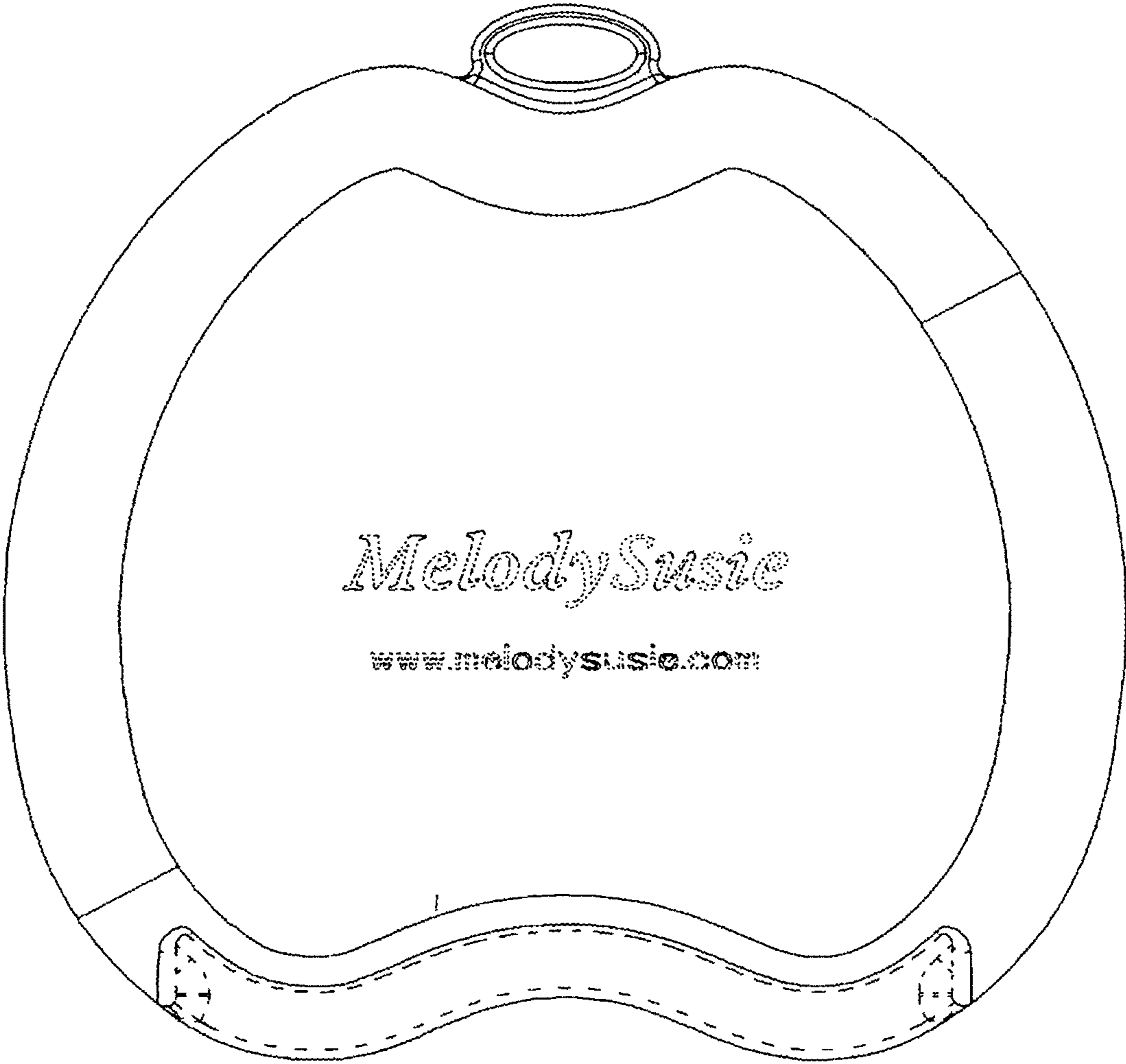


Fig. 2

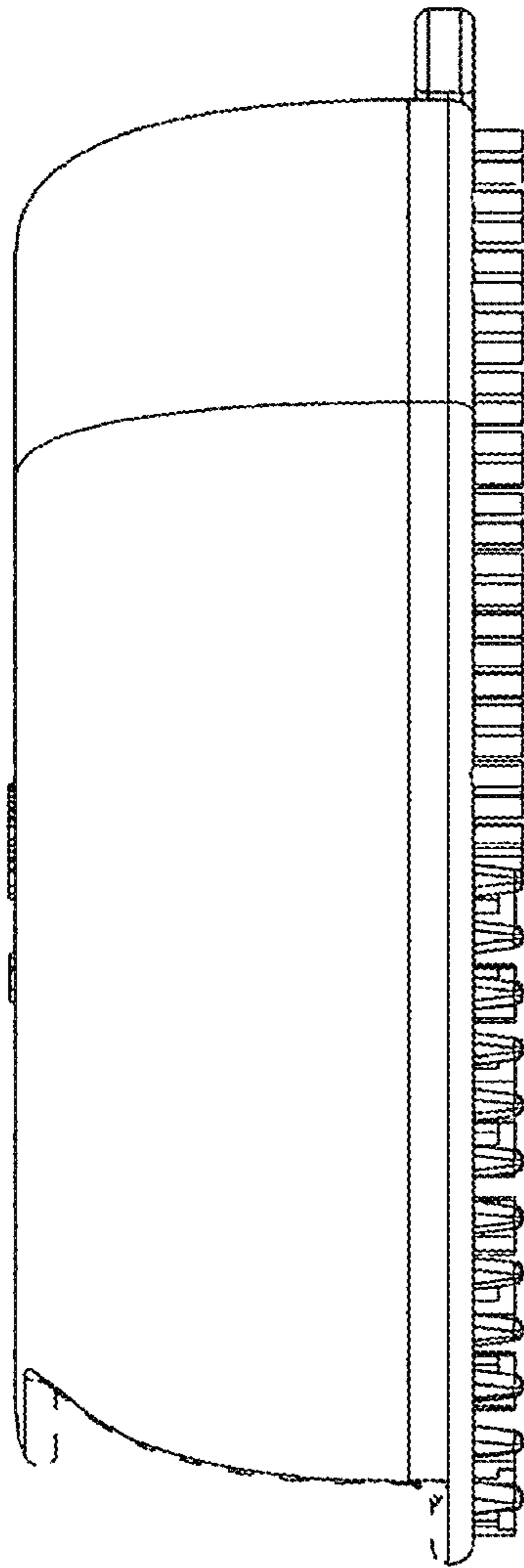


Fig. 3

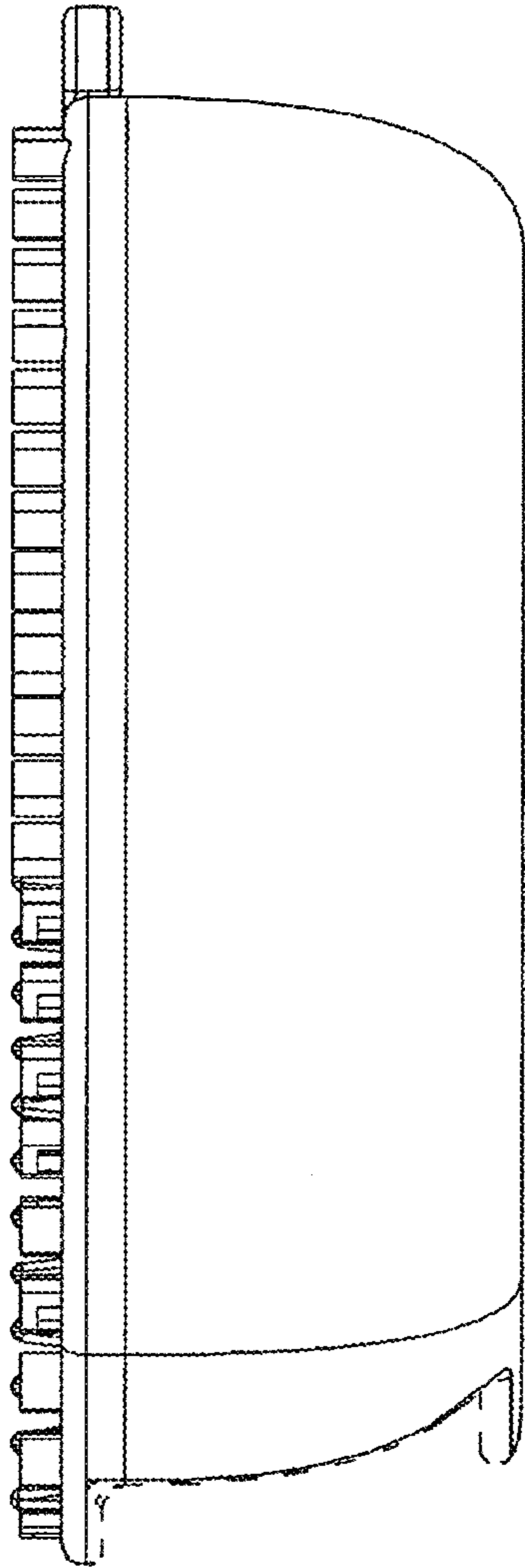


Fig. 4

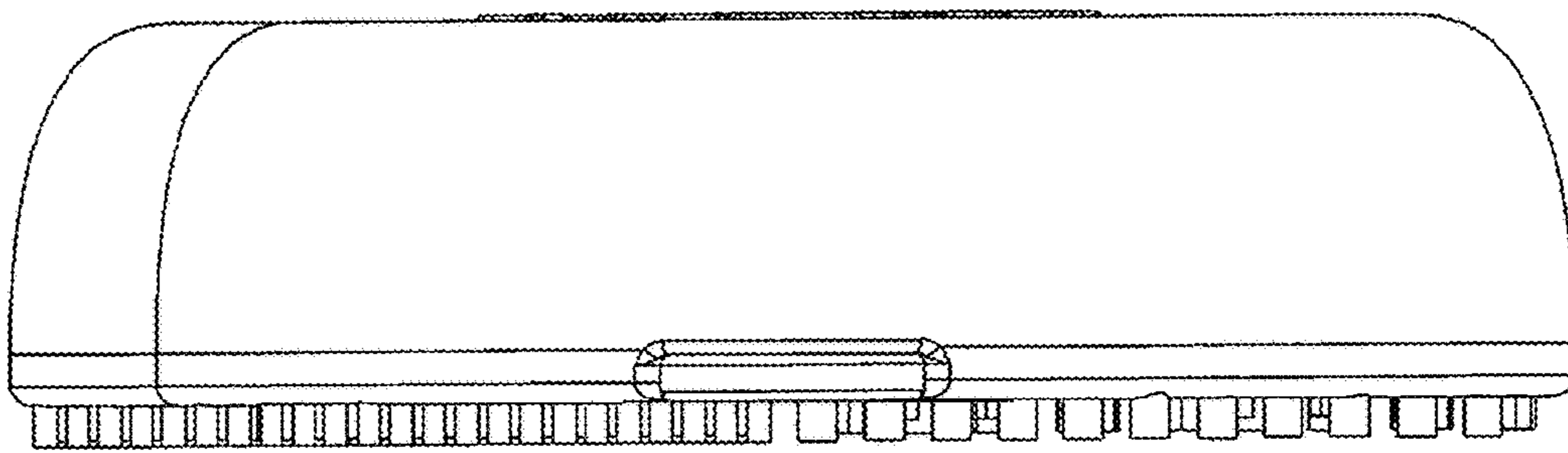


Fig. 5

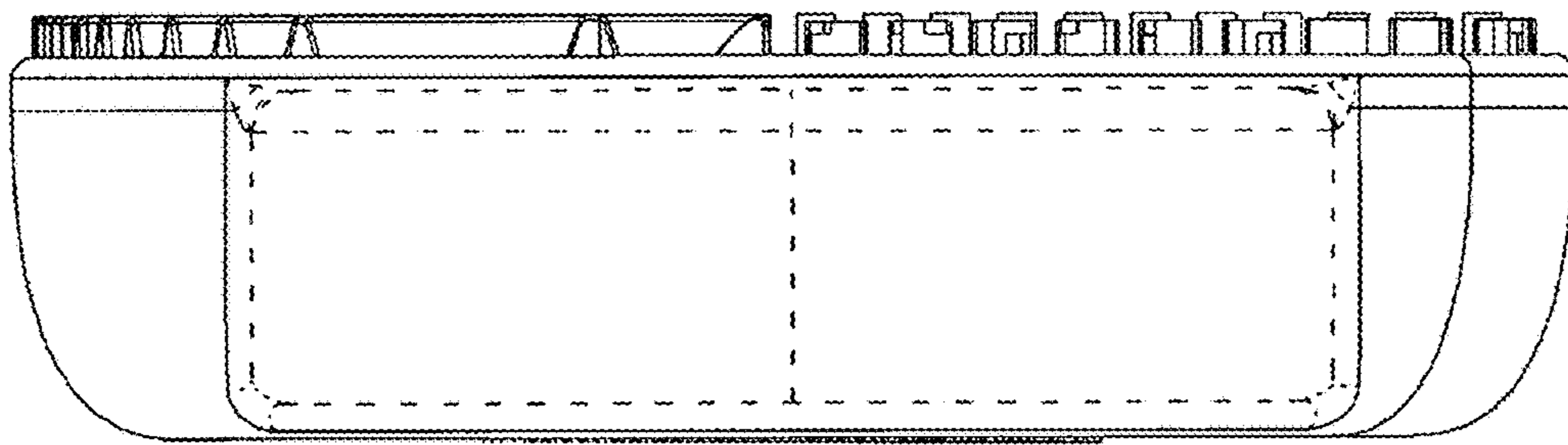


Fig. 6



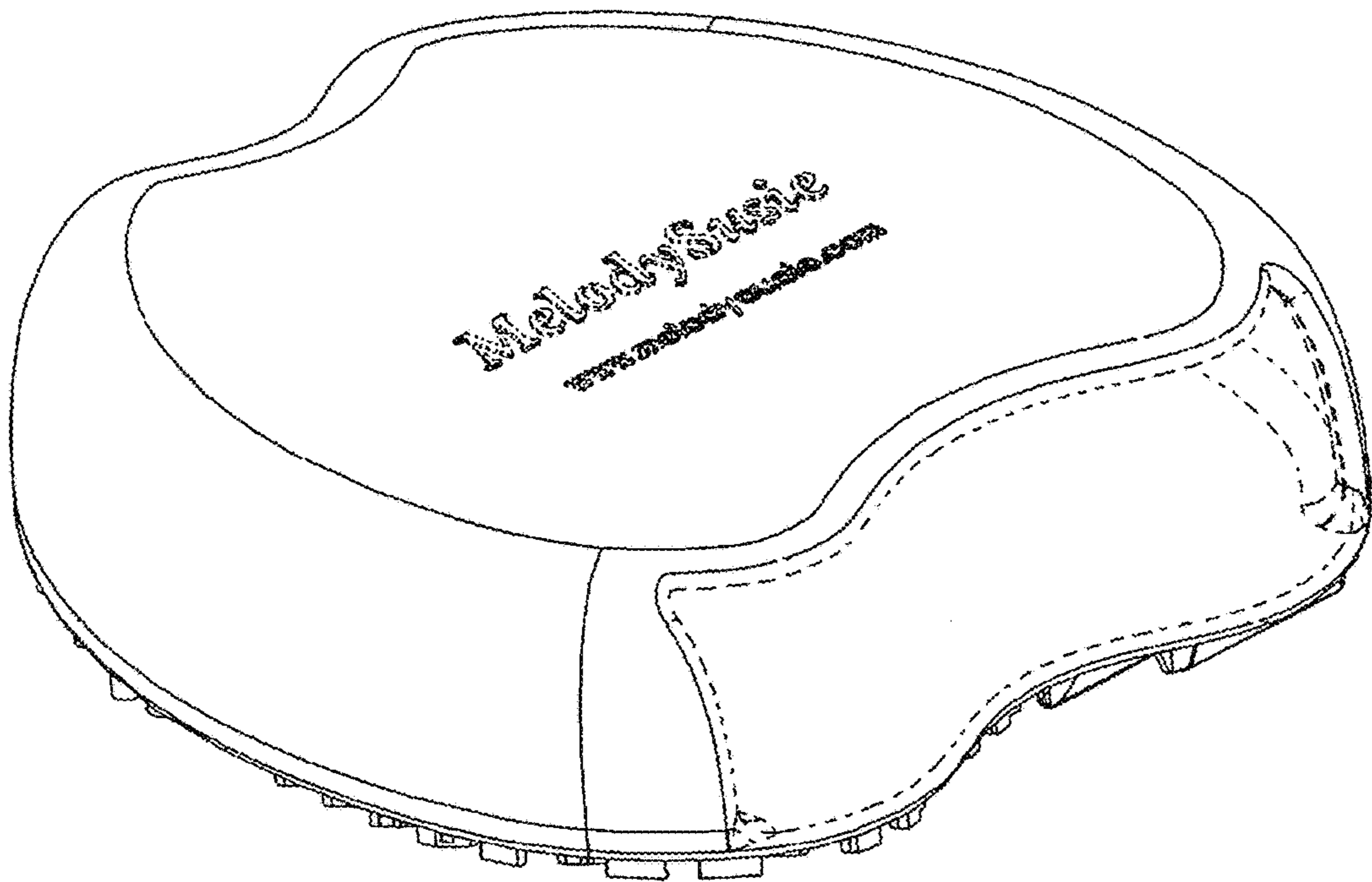


Fig. 7

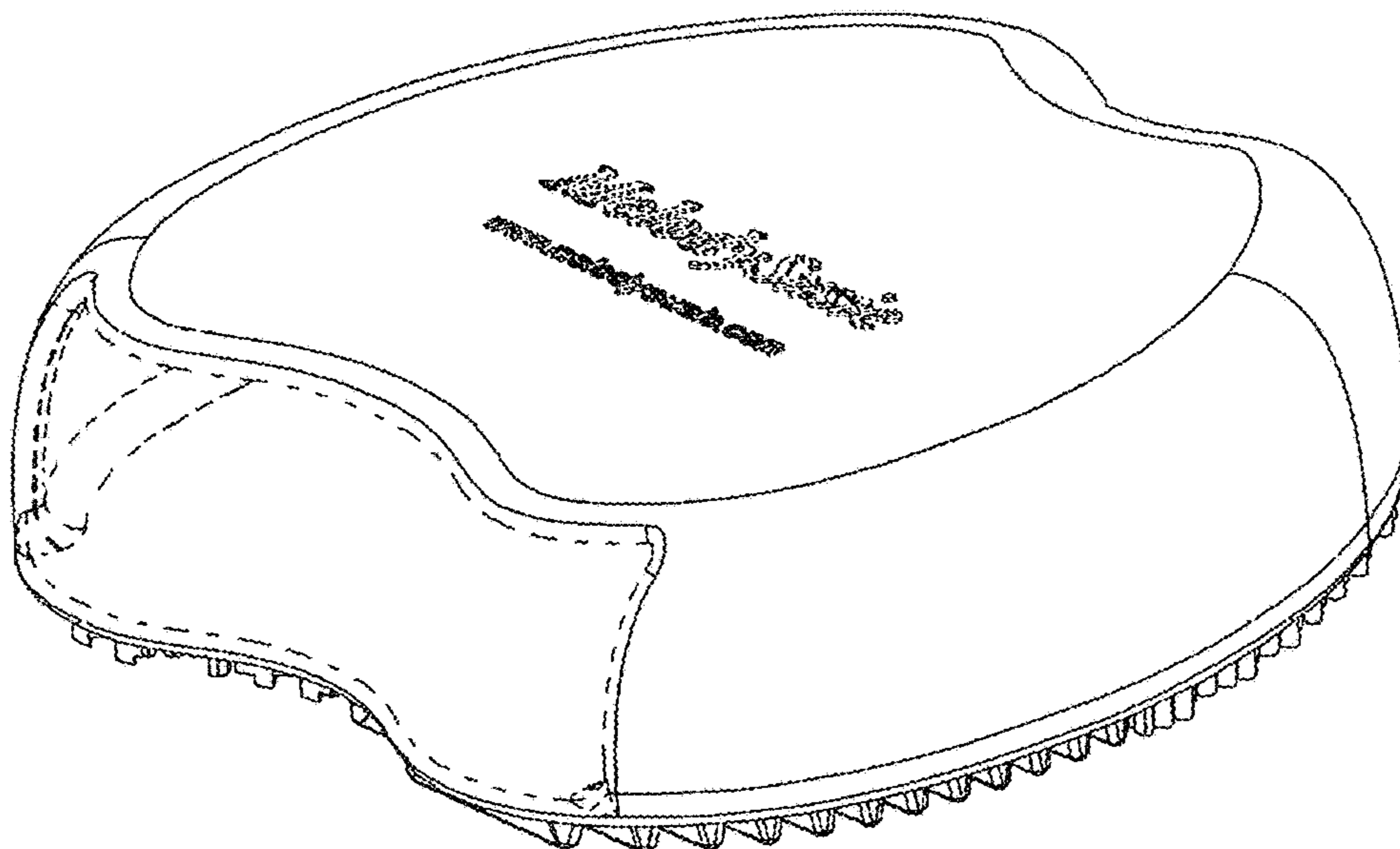


Fig. 8

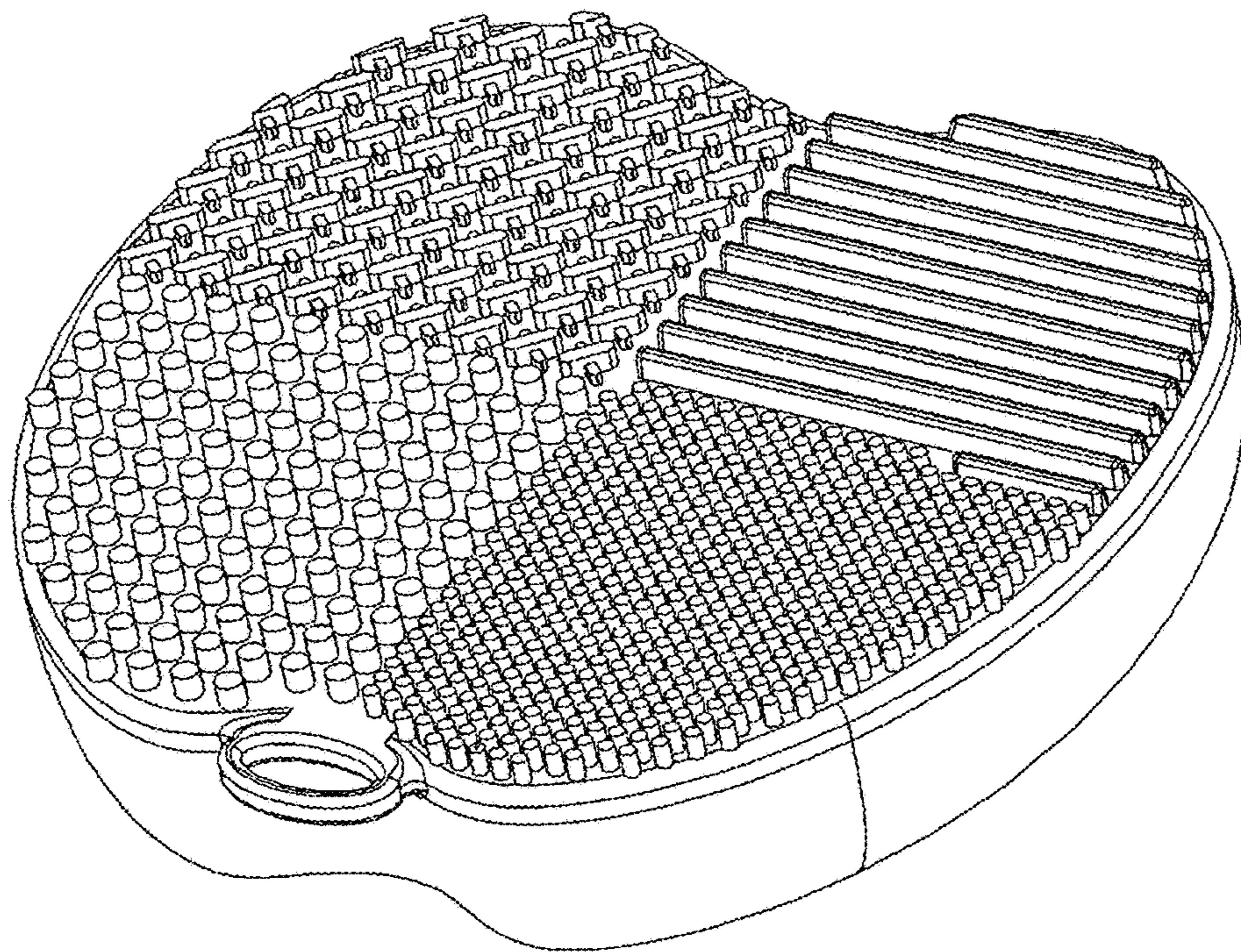


Fig. 9

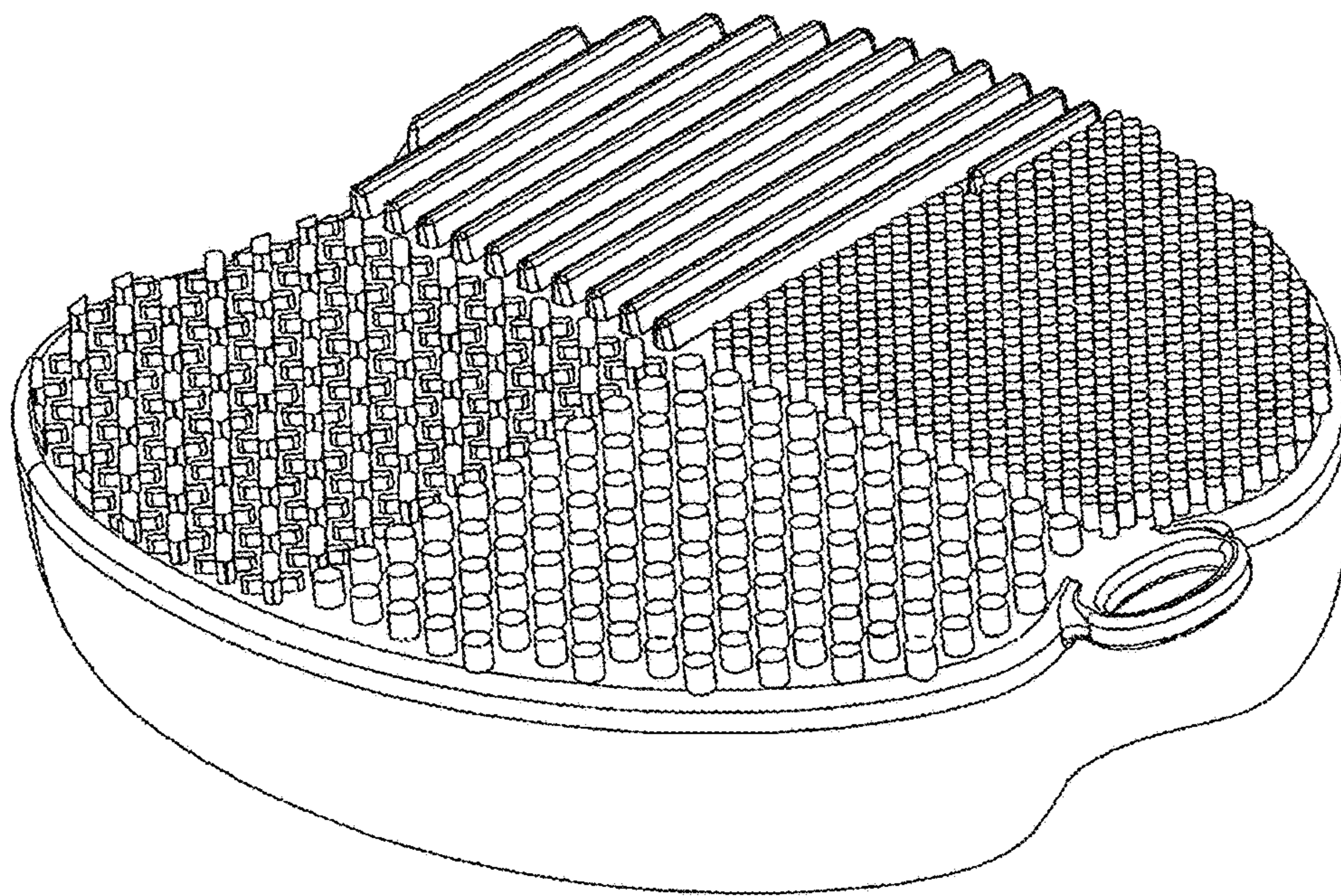


Fig. 10