



US00D833094S

(12) **United States Design Patent**
Nam et al.

(10) **Patent No.:** **US D833,094 S**
(45) **Date of Patent:** **** Nov. 6, 2018**

(54) **DUST CANISTER FOR ROBOT VACUUM CLEANER**

(71) Applicant: **LG ELECTRONICS INC.**, Seoul (KR)

(72) Inventors: **Bohyun Nam**, Seoul (KR); **Sojin Park**, Seoul (KR); **Myungwhoon Lee**, Seoul (KR)

(73) Assignee: **LG ELECTRONICS INC.**, Seoul (KR)

(**) Term: **15 Years**

(21) Appl. No.: **35/503,360**

(22) Filed: **Jan. 11, 2017**

(80) **Hague Agreement Data**

Int. Filing Date: **Jan. 11, 2017**

Int. Reg. No.: **DM/094321**

Int. Reg. Date: **Jan. 11, 2017**

Int. Reg. Pub. Date: **Jul. 14, 2017**

(30) **Foreign Application Priority Data**

Jul. 27, 2016 (KR) 30-2016-0036811

(51) **LOC (11) Cl.** **15-05**

(52) **U.S. Cl.**
USPC **D32/30**

(58) **Field of Classification Search**

USPC D32/21, 22, 23, 30, 31, 32

CPC A47L 5/24; A47L 5/28; A47L 2201/04; A47L 2201/00; A47L 2201/024

See application file for complete search history.

(56) **References Cited**

U.S. PATENT DOCUMENTS

D441,998 S * 5/2001 Kauzlarich D32/30

D443,780 S * 6/2001 Kauzlarich D32/30

D583,117 S *	12/2008	Peace	D32/31
D608,963 S *	1/2010	Reese	D32/31
D718,911 S *	12/2014	Vanderstegen-Drake	D32/21
D764,726 S *	8/2016	Vanderstegen-Drake	D32/21
D768,343 S *	10/2016	Vanderstegen-Drake	D32/21
D779,747 S *	2/2017	Vanderstegen-Drake	D32/21
D779,749 S *	2/2017	Gammack	D32/21
D780,389 S *	2/2017	Mitchell	D32/21
D782,135 S *	3/2017	Mitchell	D32/31
D808,098 S *	1/2018	Yoo	D32/23
D818,224 S *	5/2018	Nam	D32/18
D818,228 S *	5/2018	Nam	D32/22
2013/0061417 A1 *	3/2013	Vanderstegen-Drake	A47L 5/30
				15/319
2013/0305484 A1 *	11/2013	Dyson	A47L 9/009
				15/353
2014/0312813 A1 *	10/2014	Murchie	A47L 9/2842
				318/400.03
2016/0058259 A1 *	3/2016	Mitchell	A47L 9/1633
				15/353
2017/0332853 A1 *	11/2017	Nam	A47L 5/30

(Continued)

Primary Examiner — Robert M. Spear

(74) *Attorney, Agent, or Firm* — Birch, Stewart, Kolasch & Birch, LLP

(57) **CLAIM**

The ornamental design for a dust canister for robot vacuum cleaner, as shown and described.

DESCRIPTION

1. Dust canister for robot vacuum cleaner

1.1: Top right front perspective view;

1.2: Front elevational view;

1.3: Rear elevational view;

1.4: Left side elevational view;

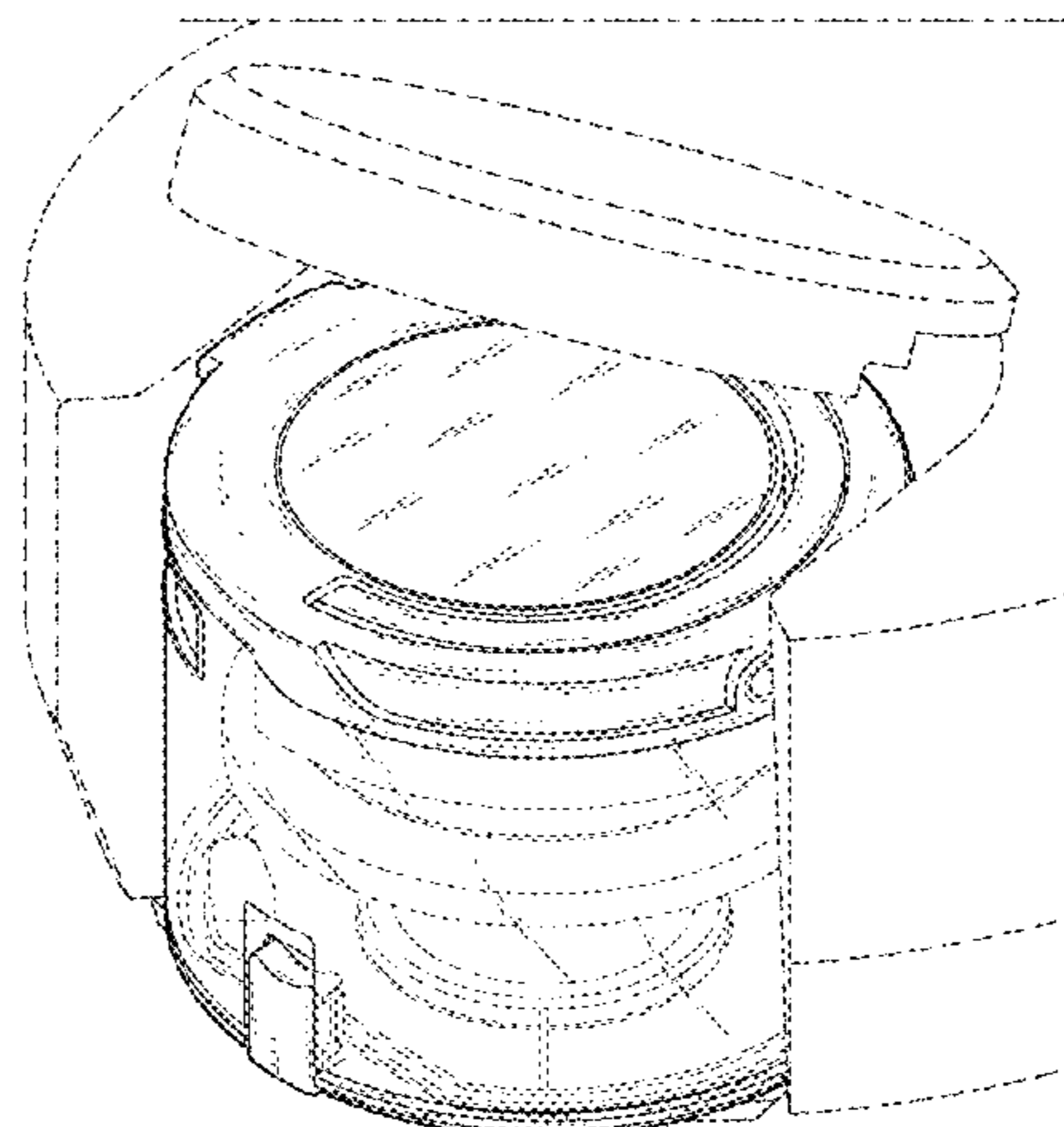
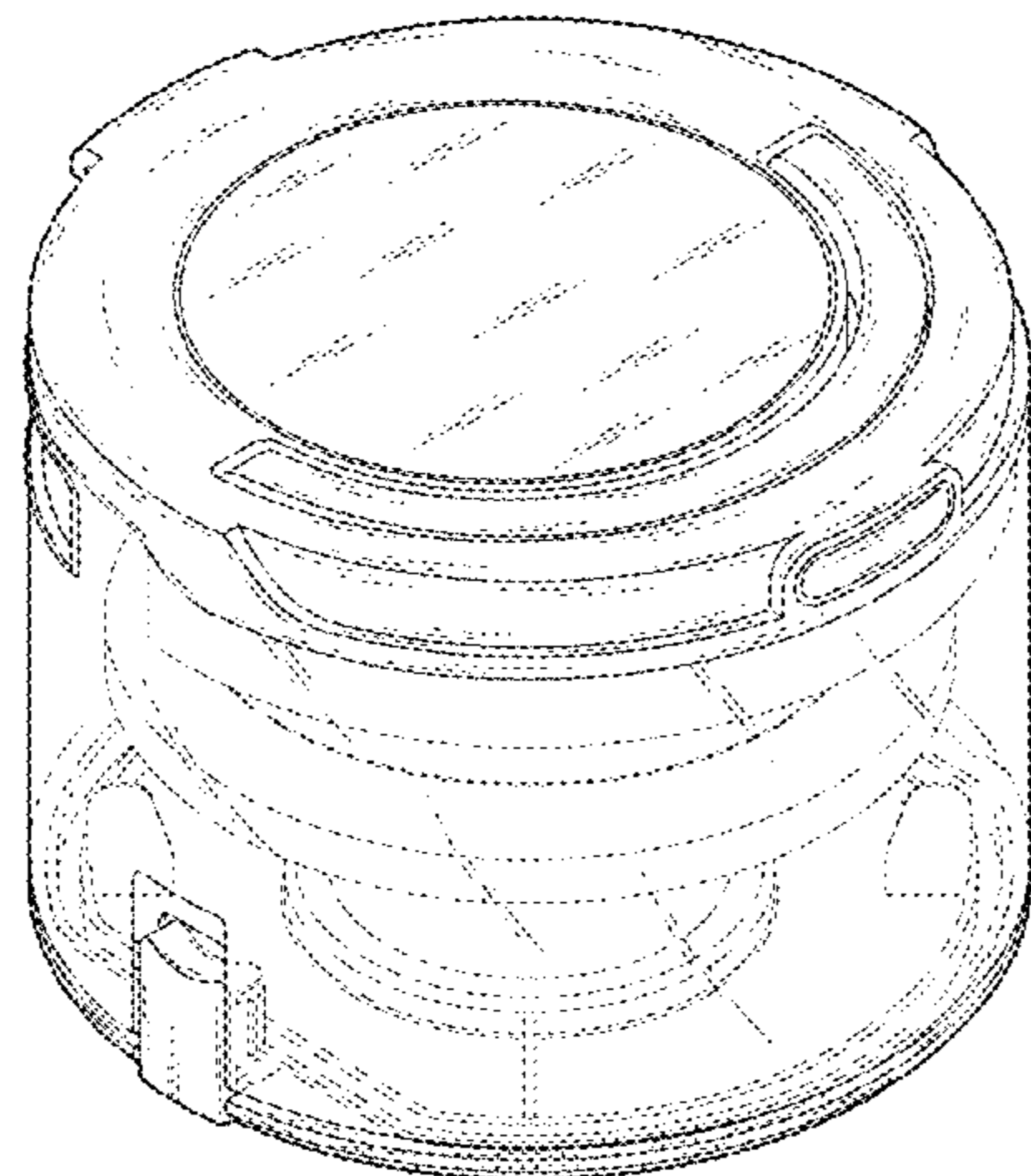
1.5: Right side elevational view;

1.6: Top plan view;

1.7: Bottom plan view;

1.8: Top right front perspective view shown installed in an unclaimed robot vacuum cleaner shown in broken lines that form no part of the claim.

1 Claim, 8 Drawing Sheets



(56)

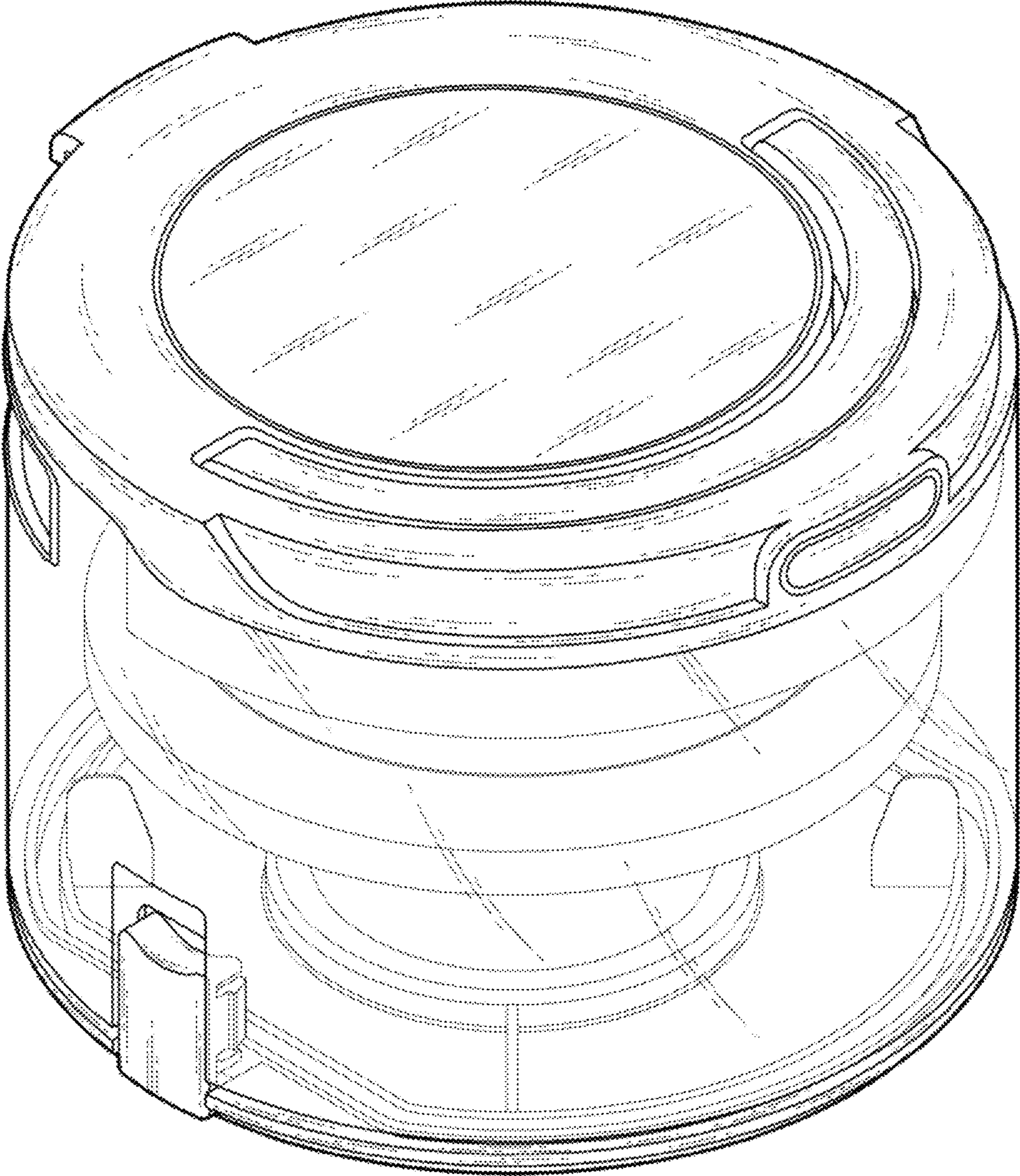
References Cited

U.S. PATENT DOCUMENTS

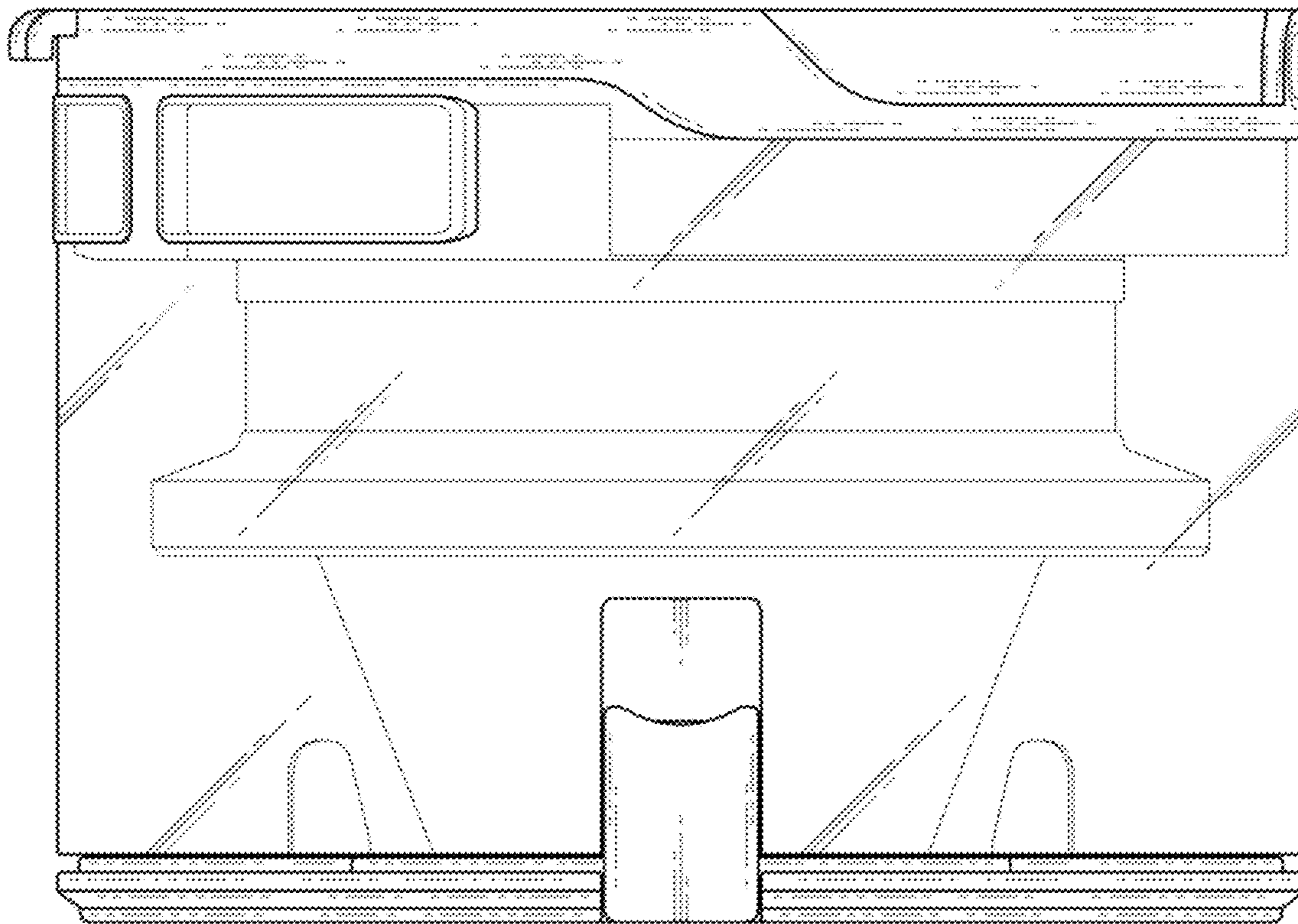
2017/0332857 A1* 11/2017 Nam A47L 5/22
2017/0332859 A1* 11/2017 Nam A47L 9/0405
2017/0332864 A1* 11/2017 Nam A47L 11/33
2017/0332865 A1* 11/2017 Nam A47L 11/33
2017/0332866 A1* 11/2017 Nam A47L 11/33
2017/0332867 A1* 11/2017 Nam A47L 11/33
2017/0332868 A1* 11/2017 Nam A47L 11/33
2017/0332870 A1* 11/2017 Nam A47L 11/33
2017/0336798 A1* 11/2017 Nam G05D 1/0248

* cited by examiner

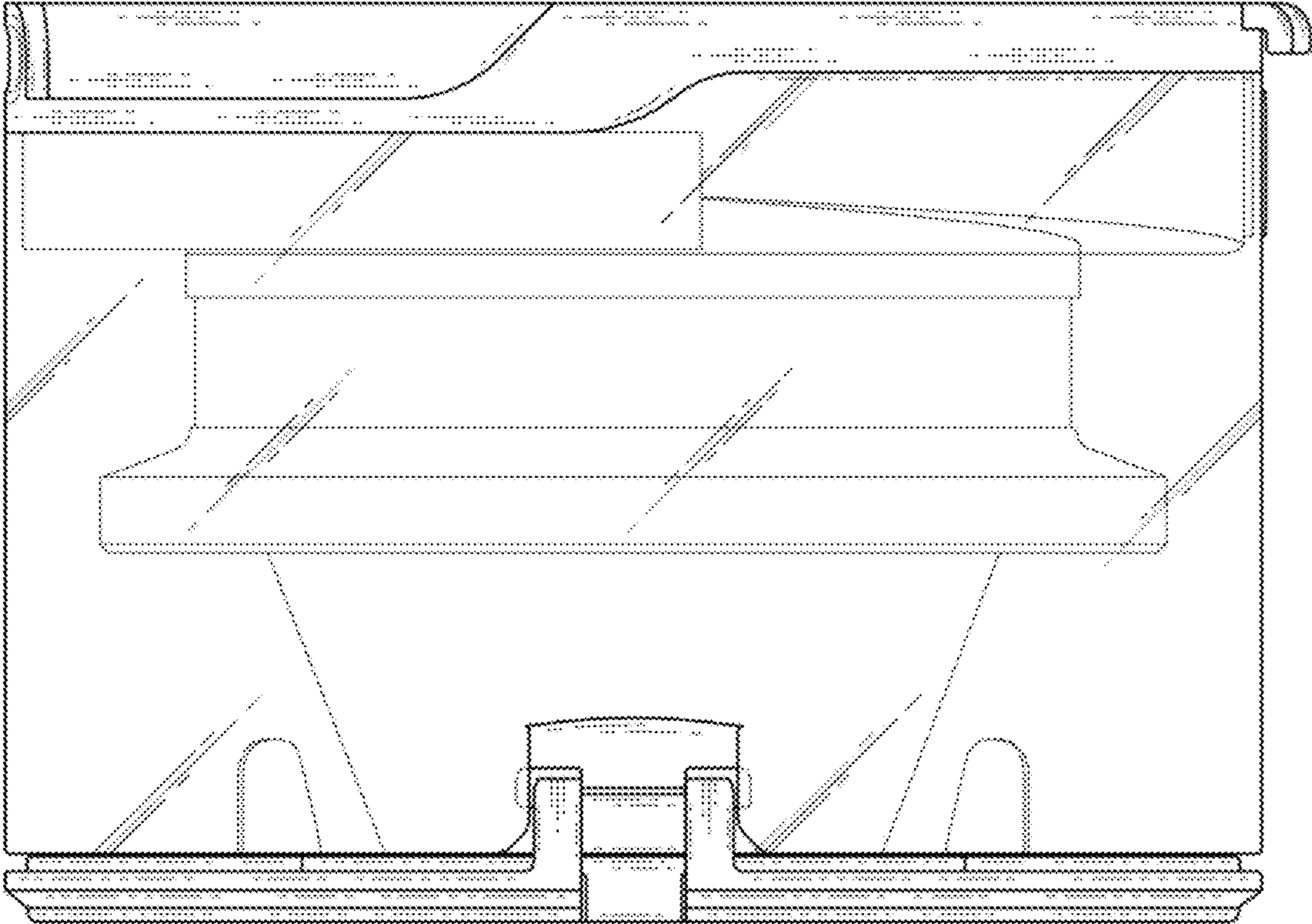
1.1



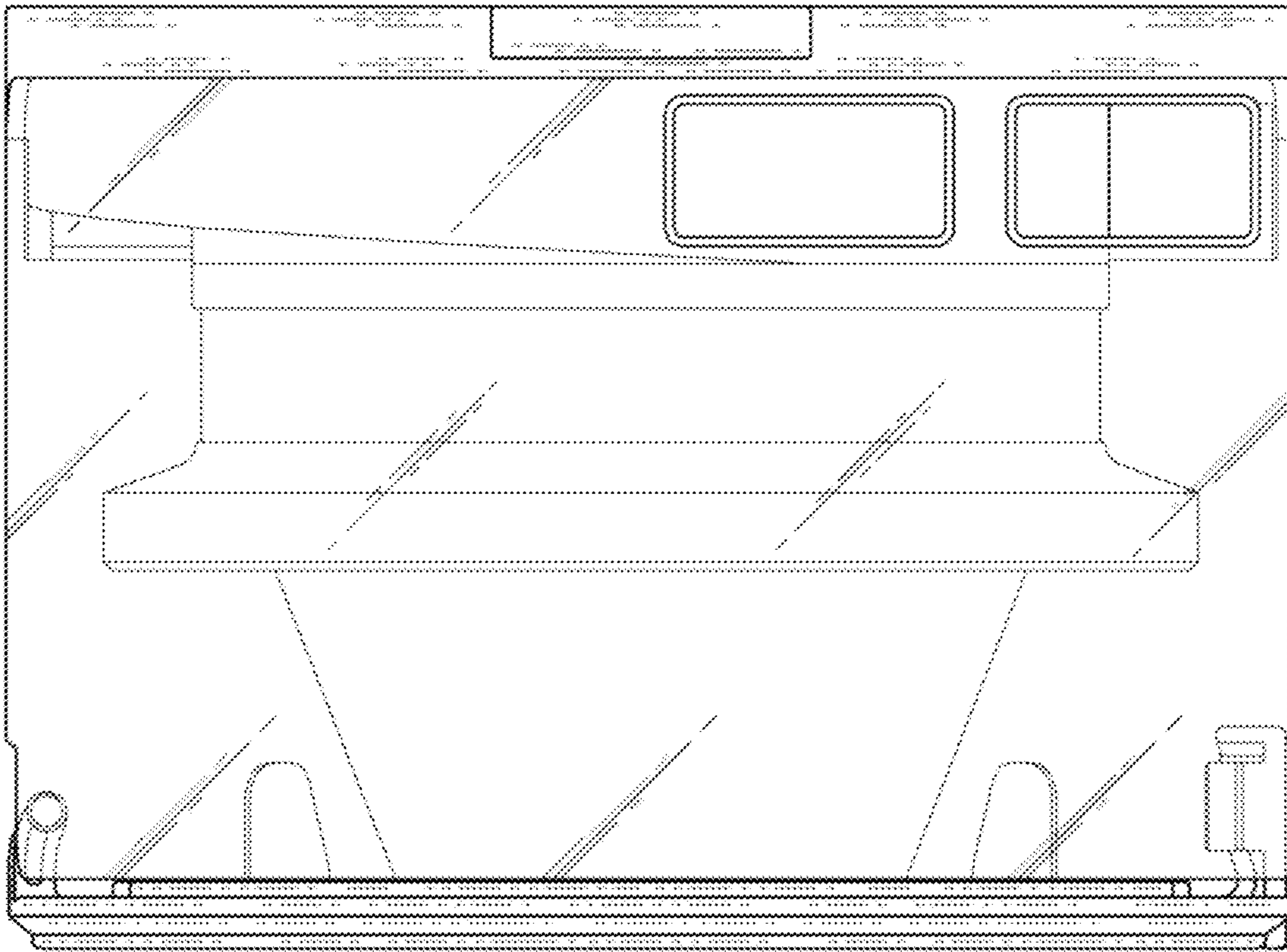
1.2



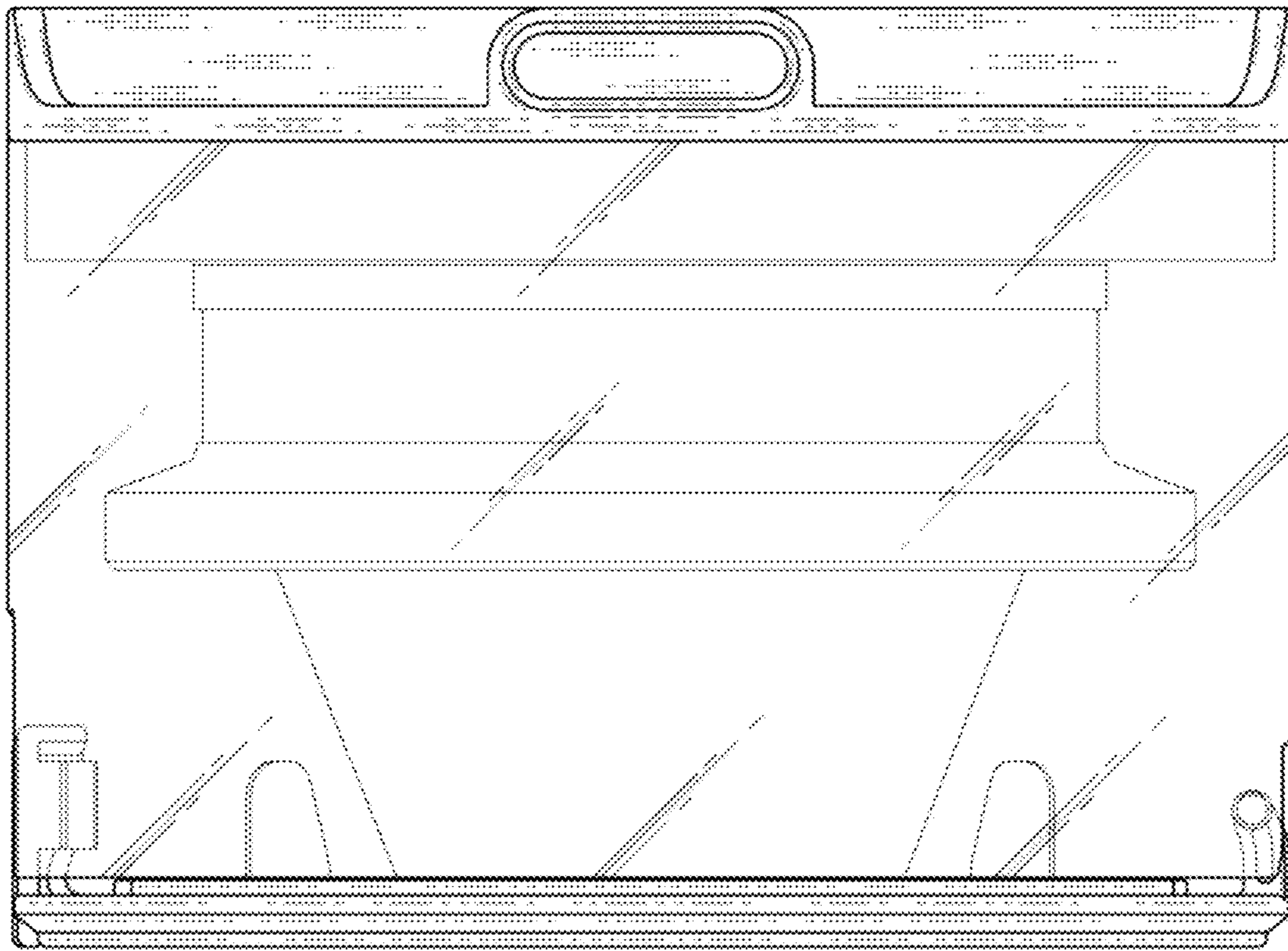
1.3



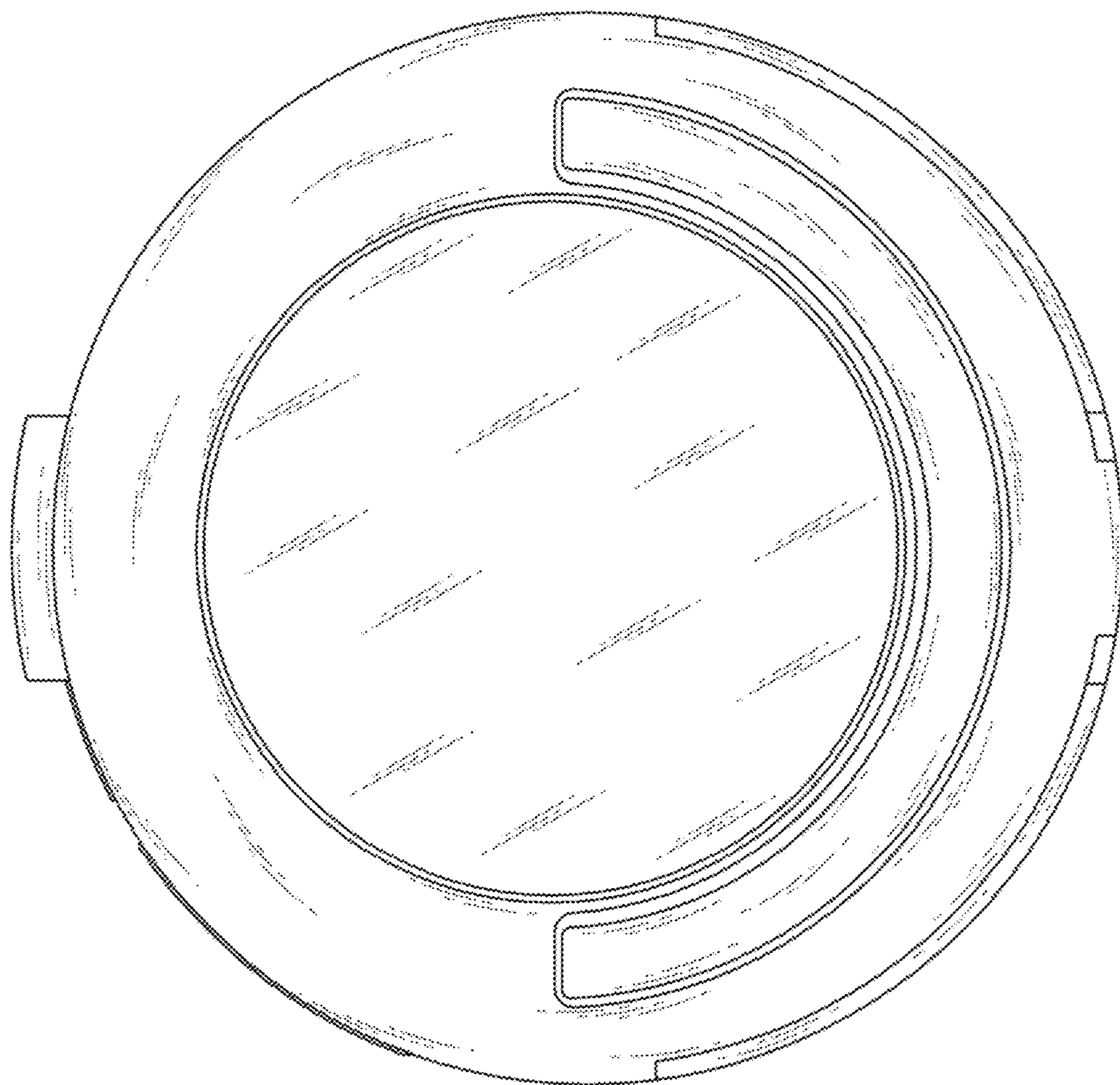
1.4



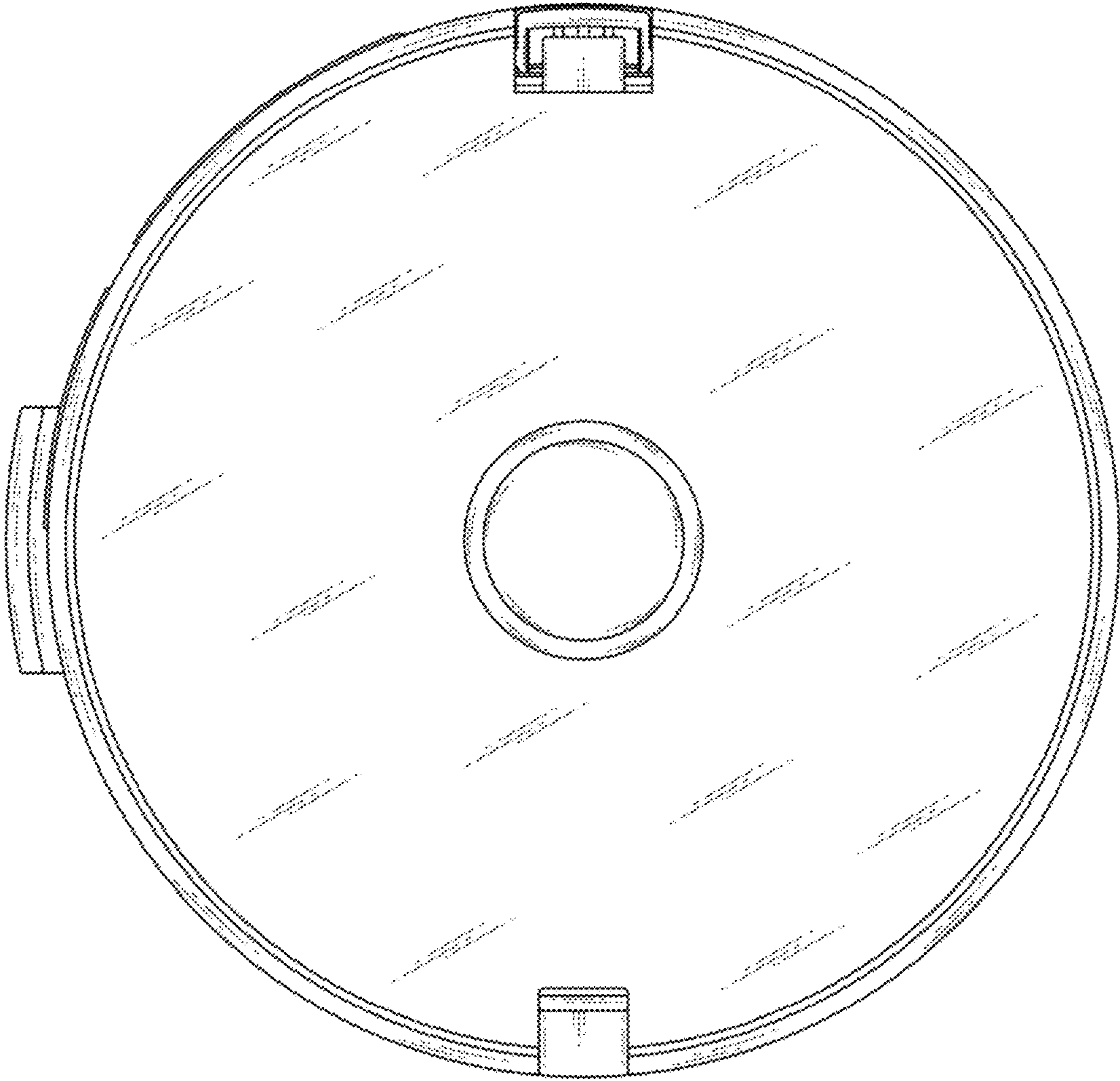
1.5



1.6



1.7



1.8

