



US00D833093S

(12) **United States Design Patent** (10) **Patent No.:** **US D833,093 S**
Chung et al. (45) **Date of Patent:** **** Nov. 6, 2018**

(54) **DOOR FOR WASHING MACHINE**

D690,479 S * 9/2013 Geyer D32/25
8,616,030 B2 * 12/2013 Hoppe D06F 39/14
68/196
D714,502 S * 9/2014 Jeon D32/25

(71) Applicant: **LG ELECTRONICS INC.**, Seoul (KR)

(Continued)

(72) Inventors: **Wookjun Chung**, Seoul (KR);
Myungshik Kim, Seoul (KR); **Nerry Son**, Seoul (KR); **Byeongkook Kim**, Seoul (KR)

Primary Examiner — Robert M. Spear
(74) *Attorney, Agent, or Firm* — Birch, Stewart, Kolasch & Birch, LLP

(73) Assignee: **LG ELECTRONICS INC.**, Seoul (KR)

(57) **CLAIM**

The ornamental design for a door for washing machine, as shown and described.

(**) Term: **15 Years**

DESCRIPTION

(21) Appl. No.: **35/503,281**

(22) Filed: **Jan. 6, 2017**

(80) **Hague Agreement Data**

Int. Filing Date: **Jan. 6, 2017**
Int. Reg. No.: **DM/094302**
Int. Reg. Date: **Jan. 6, 2017**
Int. Reg. Pub. Date: **Jul. 7, 2017**

1. Door for washing machine
- 1.1 : Top right front perspective view;
- 1.2 : Front elevational view;
- 1.3 : Rear elevational view;
- 1.4 : Left side elevational view;
- 1.5 : Right side elevational view;
- 1.6 : Top plan view;
- 1.7 : Bottom plan view;
- 1.8 : Top right rear perspective view;
- 1.9 : Top right front perspective view thereof with the outer door in an open configuration;
- 1.10 : Front elevational view thereof;
- 1.11 : Rear elevational view thereof;
- 1.12 : Left side elevational view thereof;
- 1.13 : Right side elevational view thereof;
- 1.14 : Top plan view thereof;
- 1.15 : Bottom plan view thereof;
- 1.16 : Top right rear perspective view thereof;
- 1.17 : Top right front perspective view thereof with both outer and inner doors in an open configuration;
- 1.18 : Front elevational view thereof;
- 1.19 : Rear elevational view thereof;
- 1.20 : Left side elevational view thereof;
- 1.21 : Right side elevational view thereof;
- 1.22 : Top plan view thereof;
- 1.23 : Bottom plan view thereof;
- 1.24 : Top right rear perspective view thereof.

(30) **Foreign Application Priority Data**

Jul. 15, 2016 (KR) 30-2016-0034726

(51) **LOC (11) Cl.** **15-02**

(52) **U.S. Cl.**
USPC **D32/25**

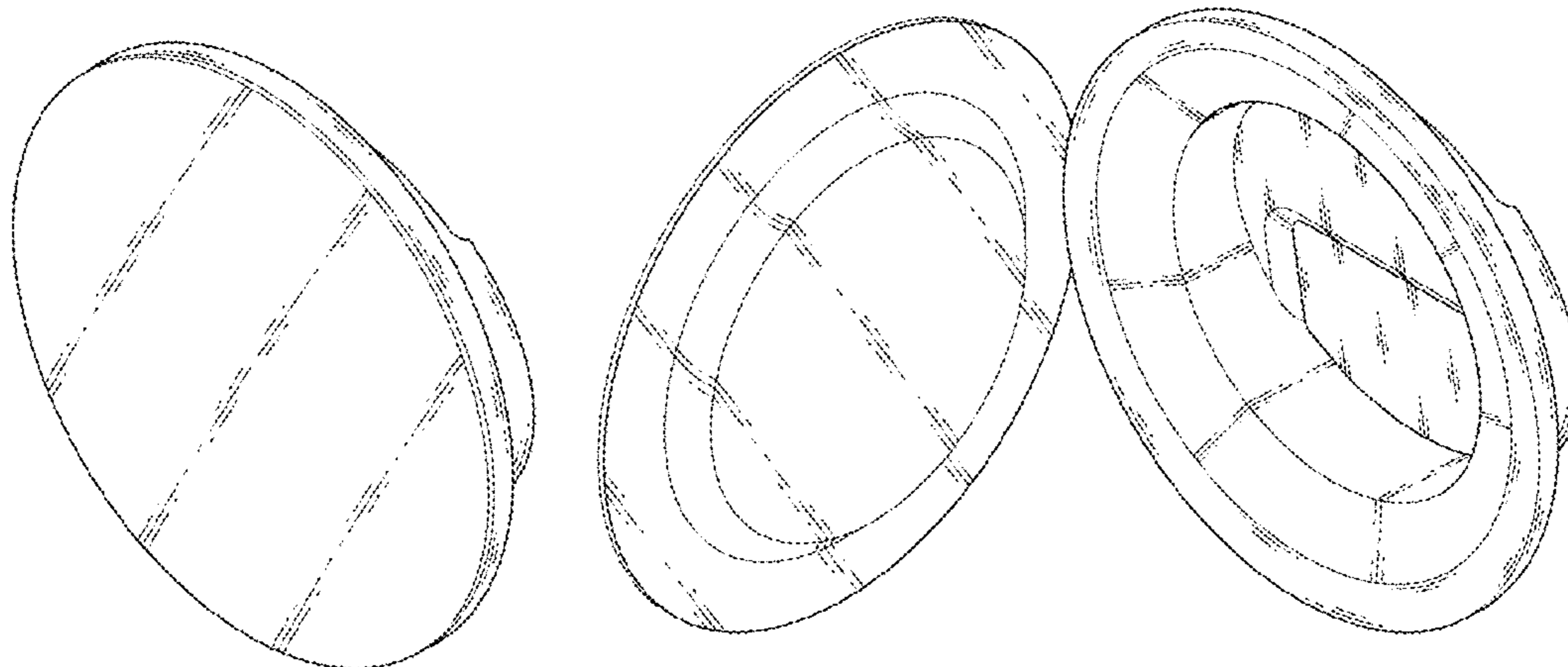
(58) **Field of Classification Search**
USPC D32/6, 25
CPC D06F 37/18; D06F 39/14; D06F 49/003;
D06F 25/00
See application file for complete search history.

(56) **References Cited**

U.S. PATENT DOCUMENTS

D588,315 S * 3/2009 Geyer D32/25
D616,163 S * 5/2010 Nam D32/25

1 Claim, 24 Drawing Sheets



(56)

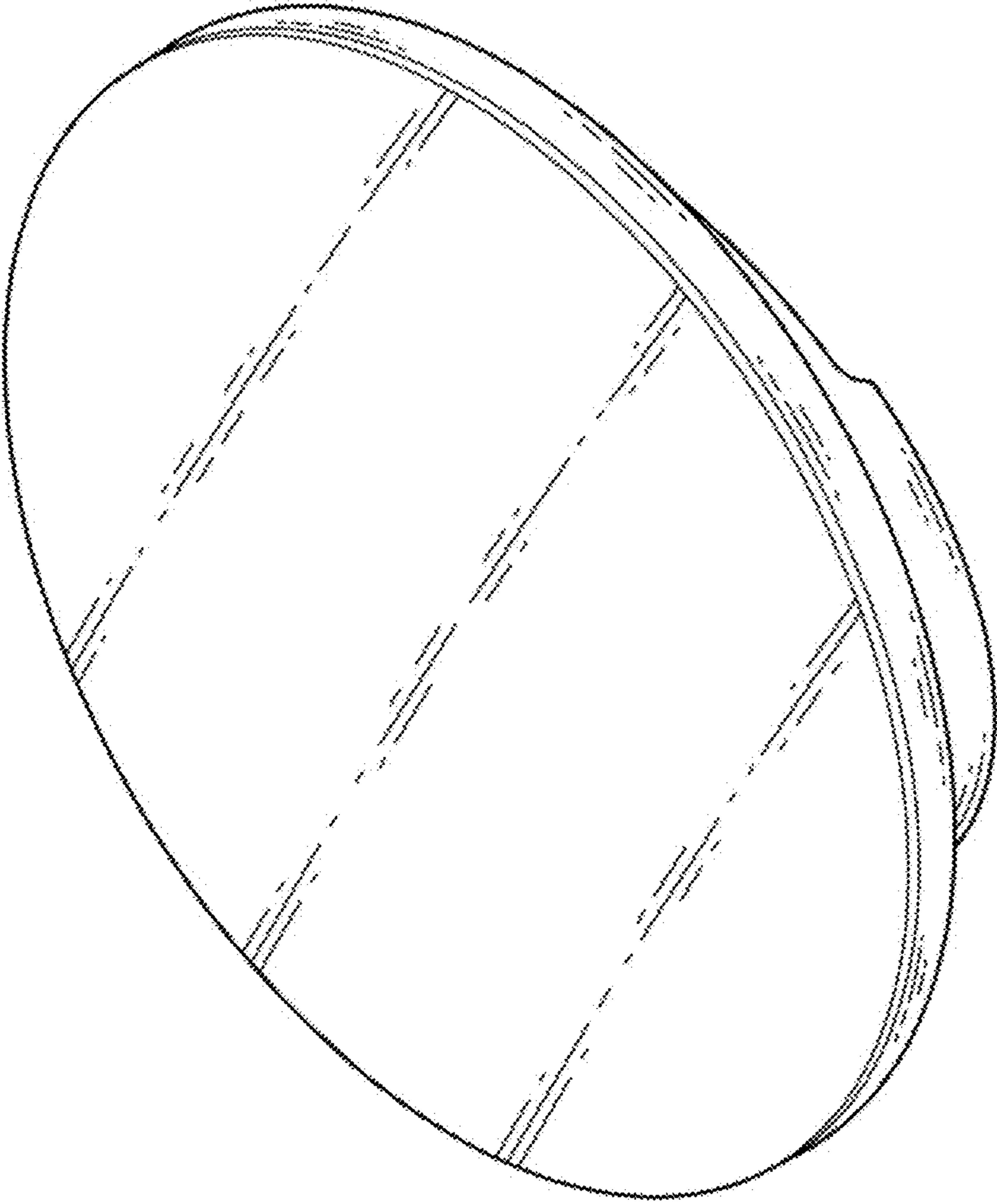
References Cited

U.S. PATENT DOCUMENTS

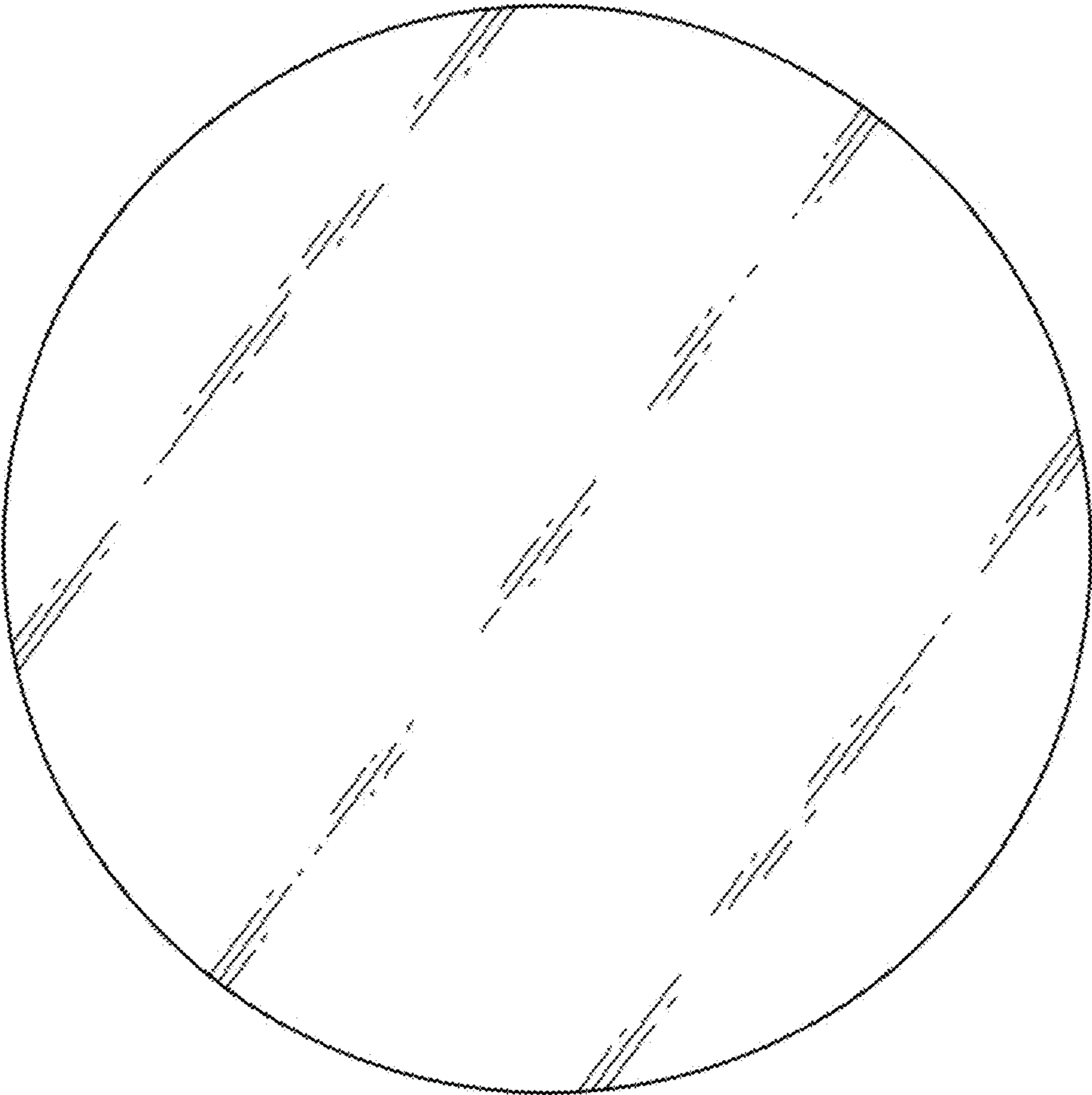
8,844,328	B2 *	9/2014	Loss	D06F 37/28
					312/326
D758,682	S *	6/2016	Kim	D32/25
9,441,395	B2 *	9/2016	Kim	D06F 39/14
D771,336	S *	11/2016	Kang	D32/25
D771,886	S *	11/2016	Hwang	D32/25
9,487,901	B2 *	11/2016	Kim	D06F 37/28
D789,005	S *	6/2017	Lee	D32/25
D789,629	S *	6/2017	Lee	D32/25
9,790,637	B2 *	10/2017	Kim	D06F 39/14
D805,703	S *	12/2017	Yoon	D32/25
9,856,593	B2 *	1/2018	Wishney	D06F 39/14
D816,927	S *	5/2018	Ha	D32/25
D817,570	S *	5/2018	Kim	D32/25
D819,284	S *	5/2018	Kim	D32/25

* cited by examiner

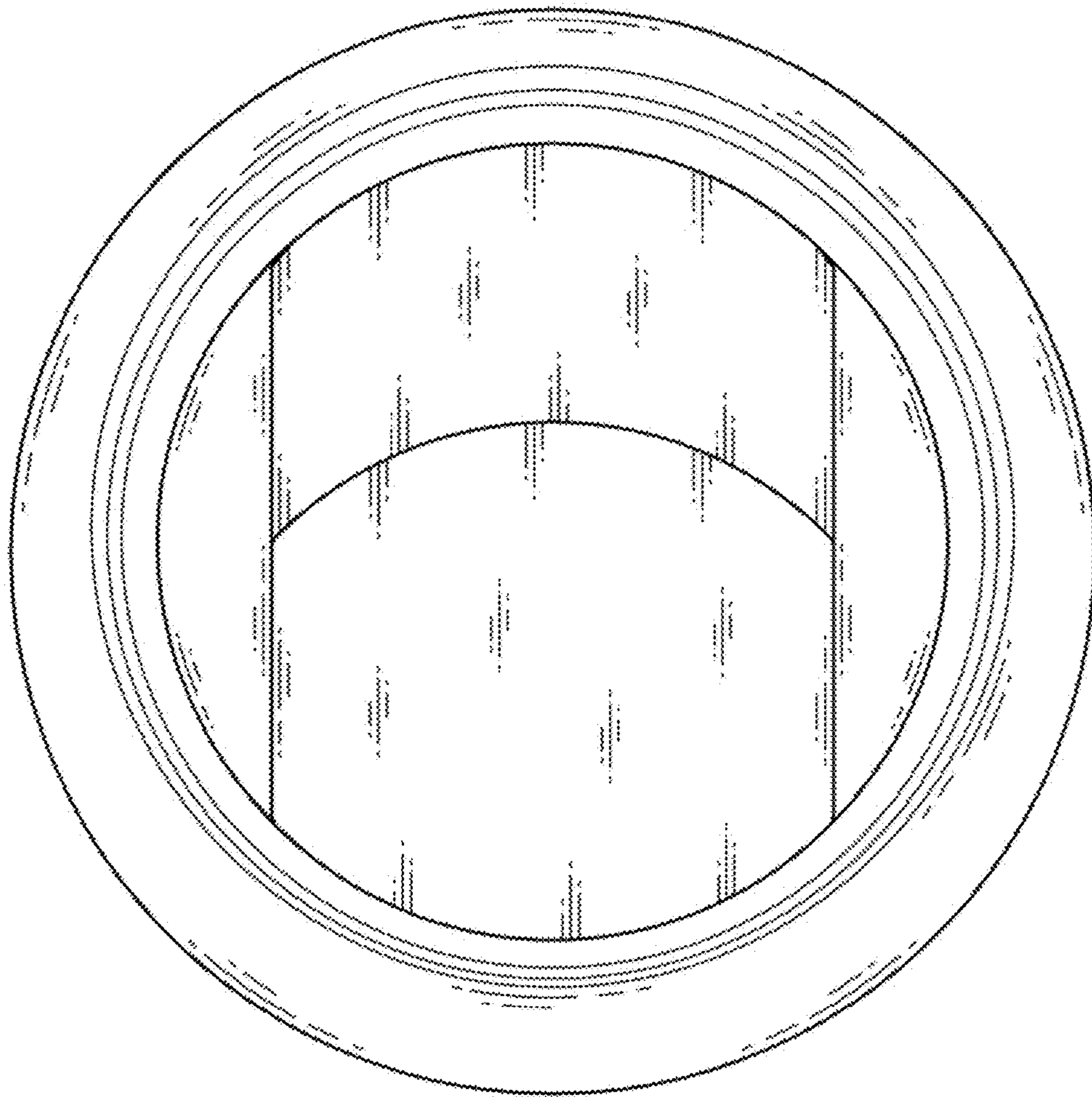
1.1



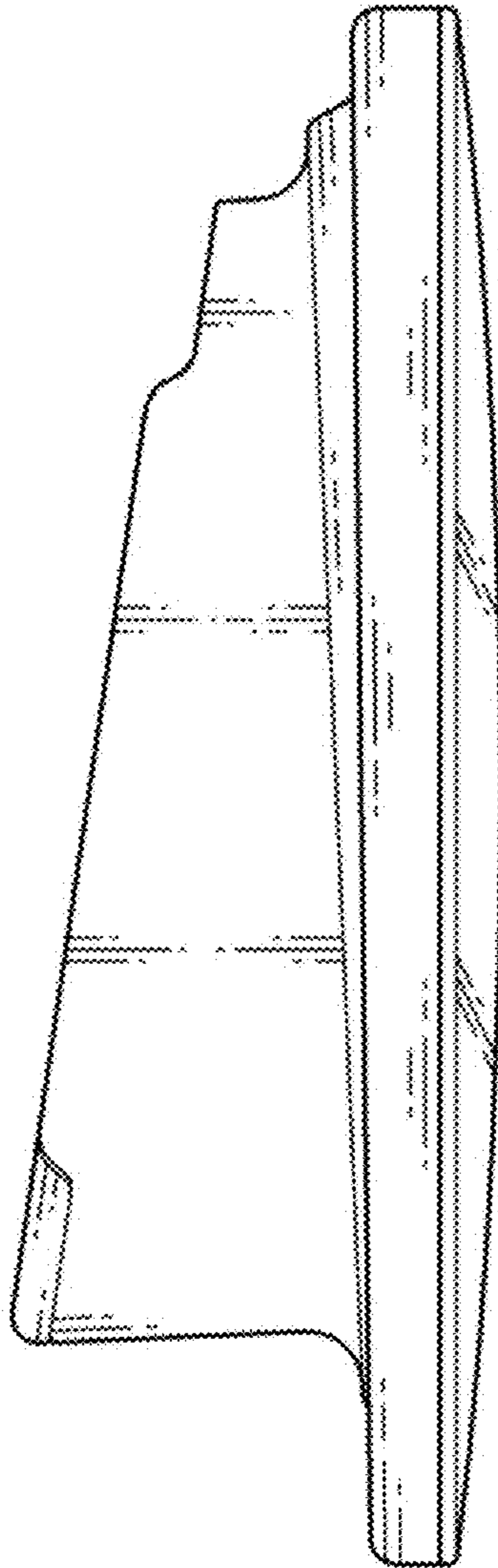
1.2



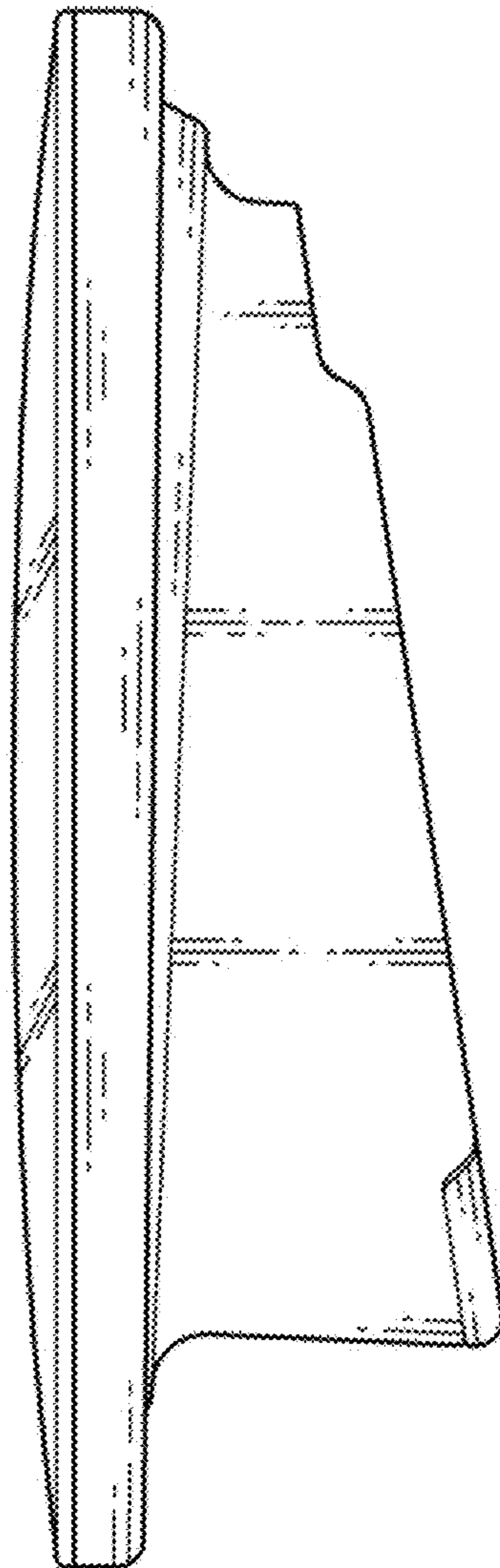
1.3



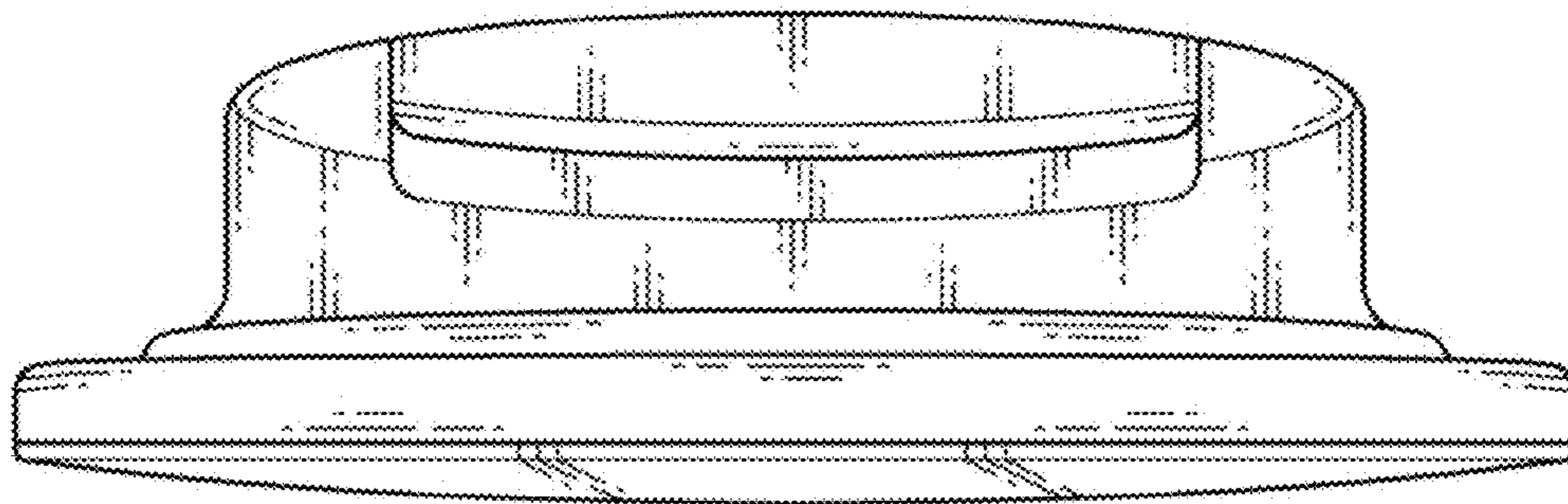
1.4



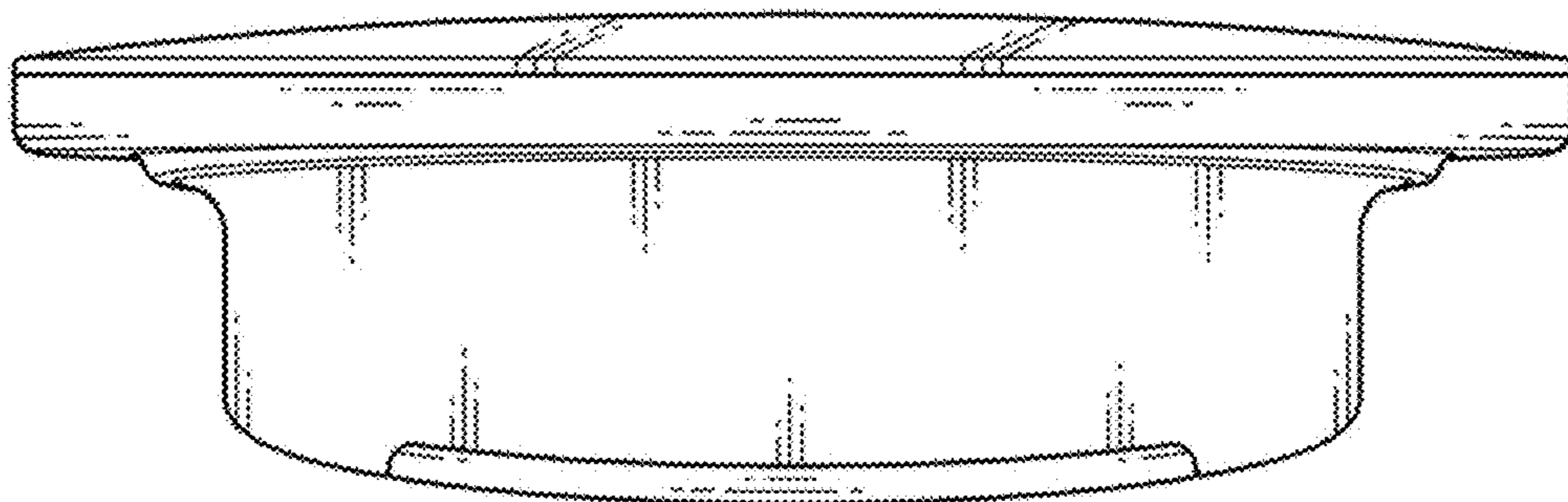
1.5



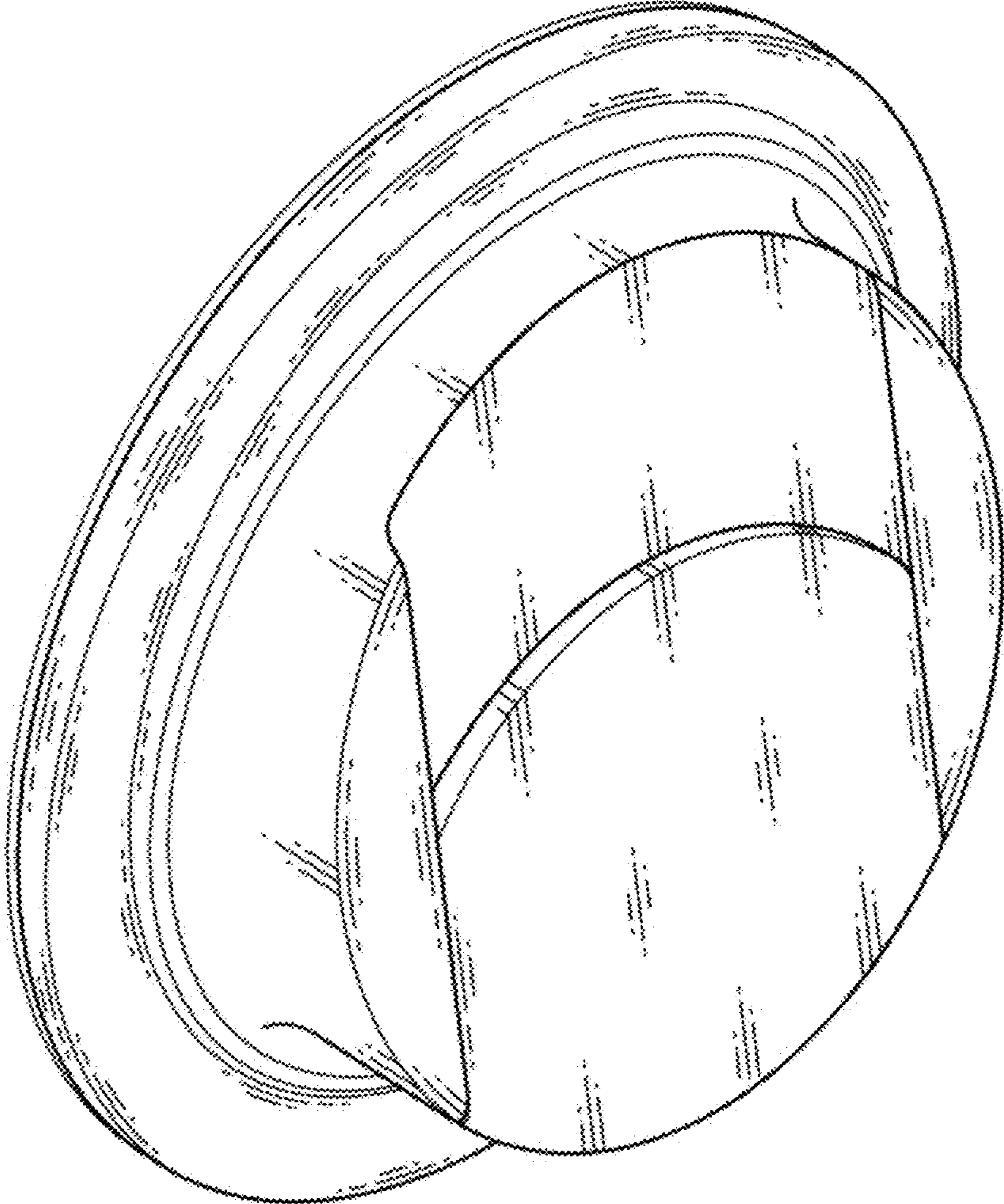
1.6



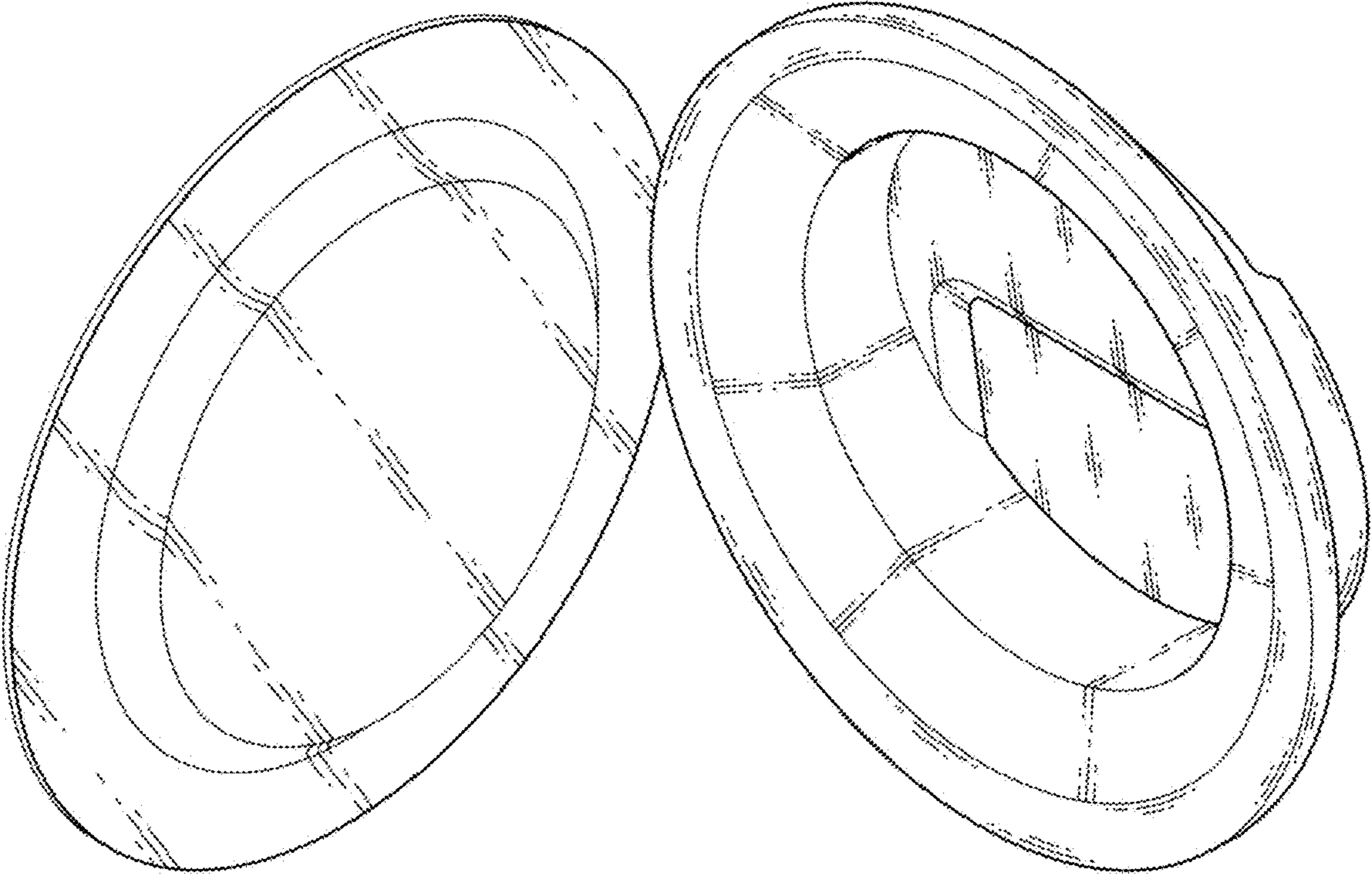
1.7



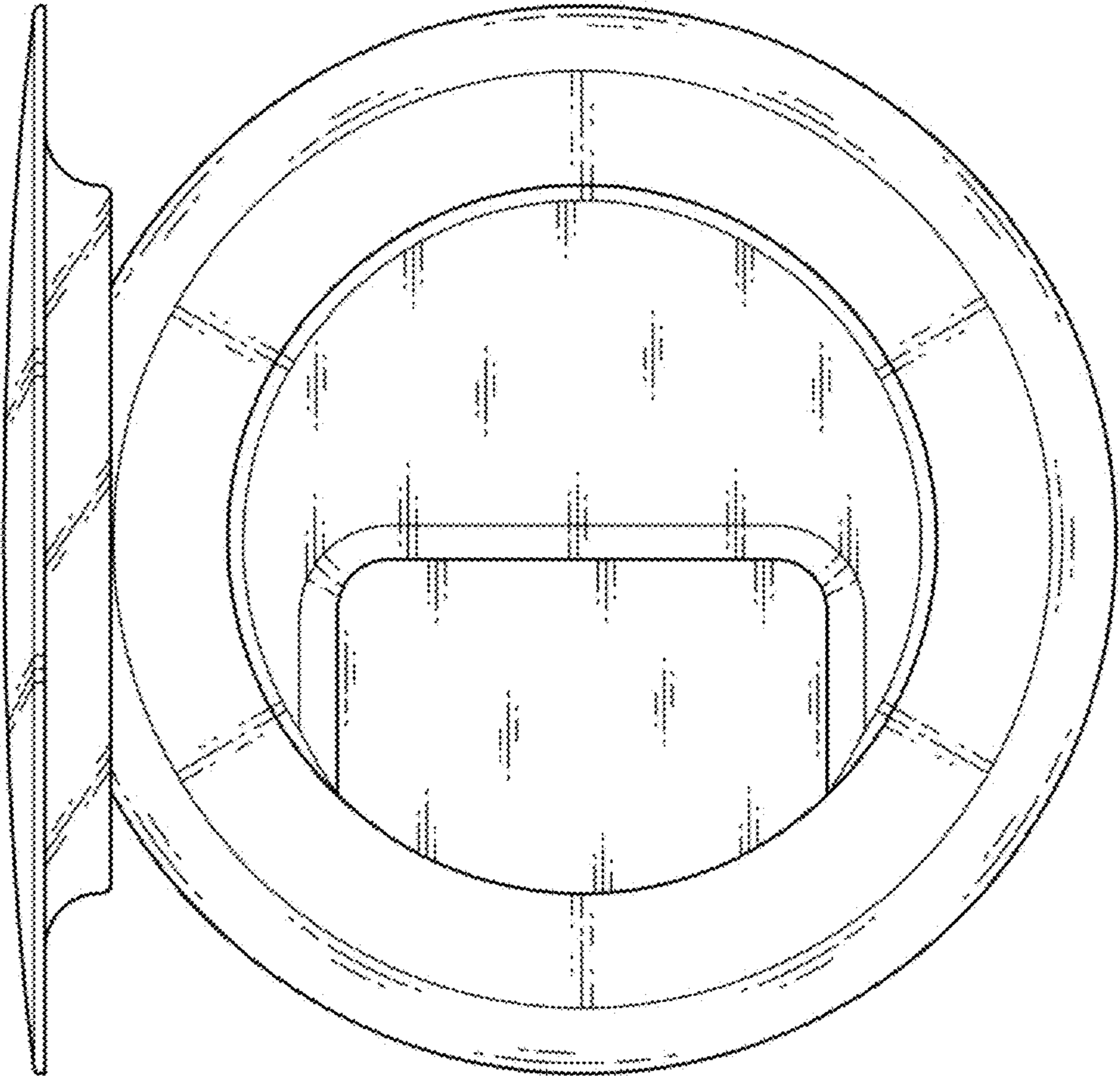
1.8



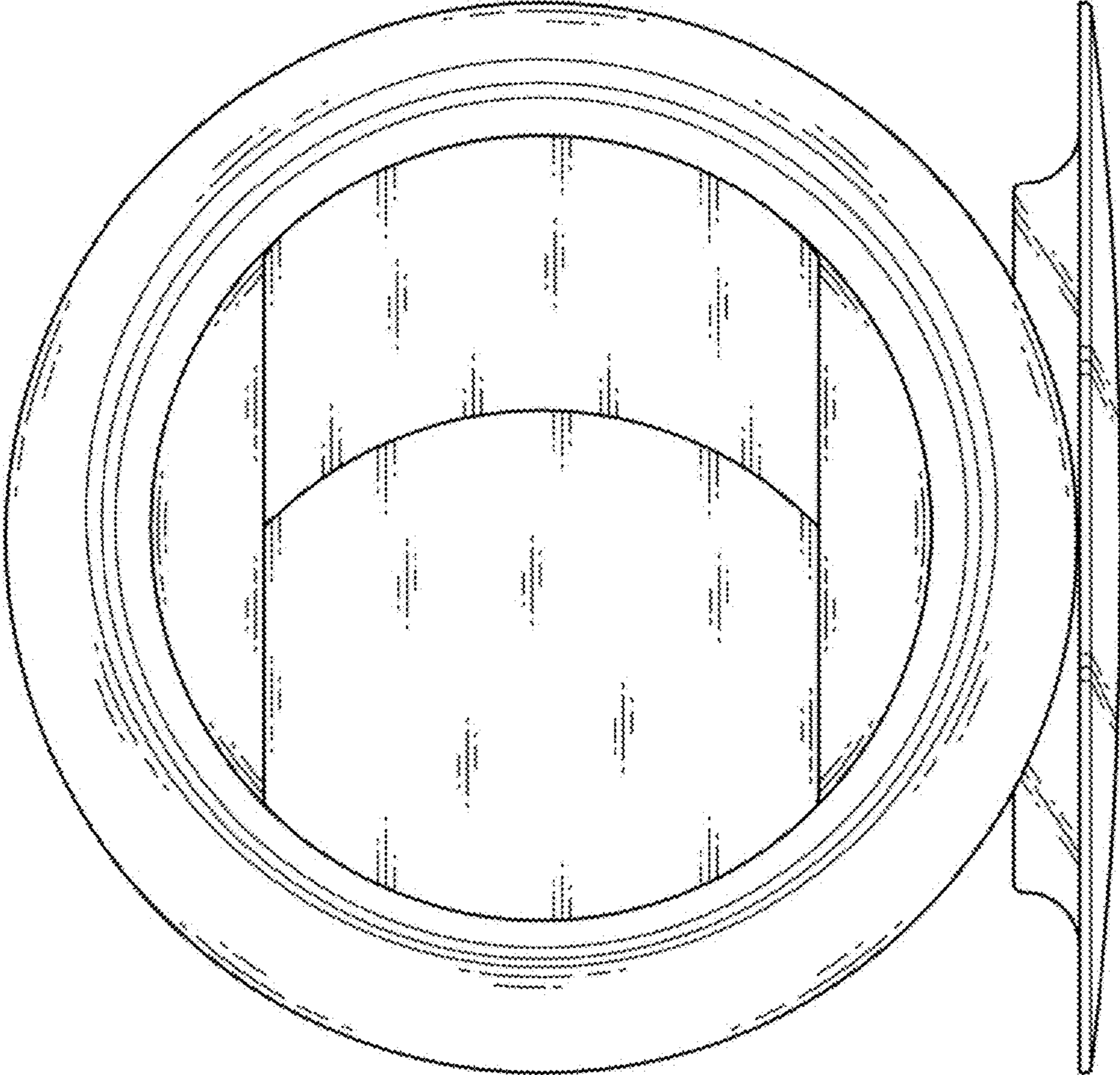
1.9



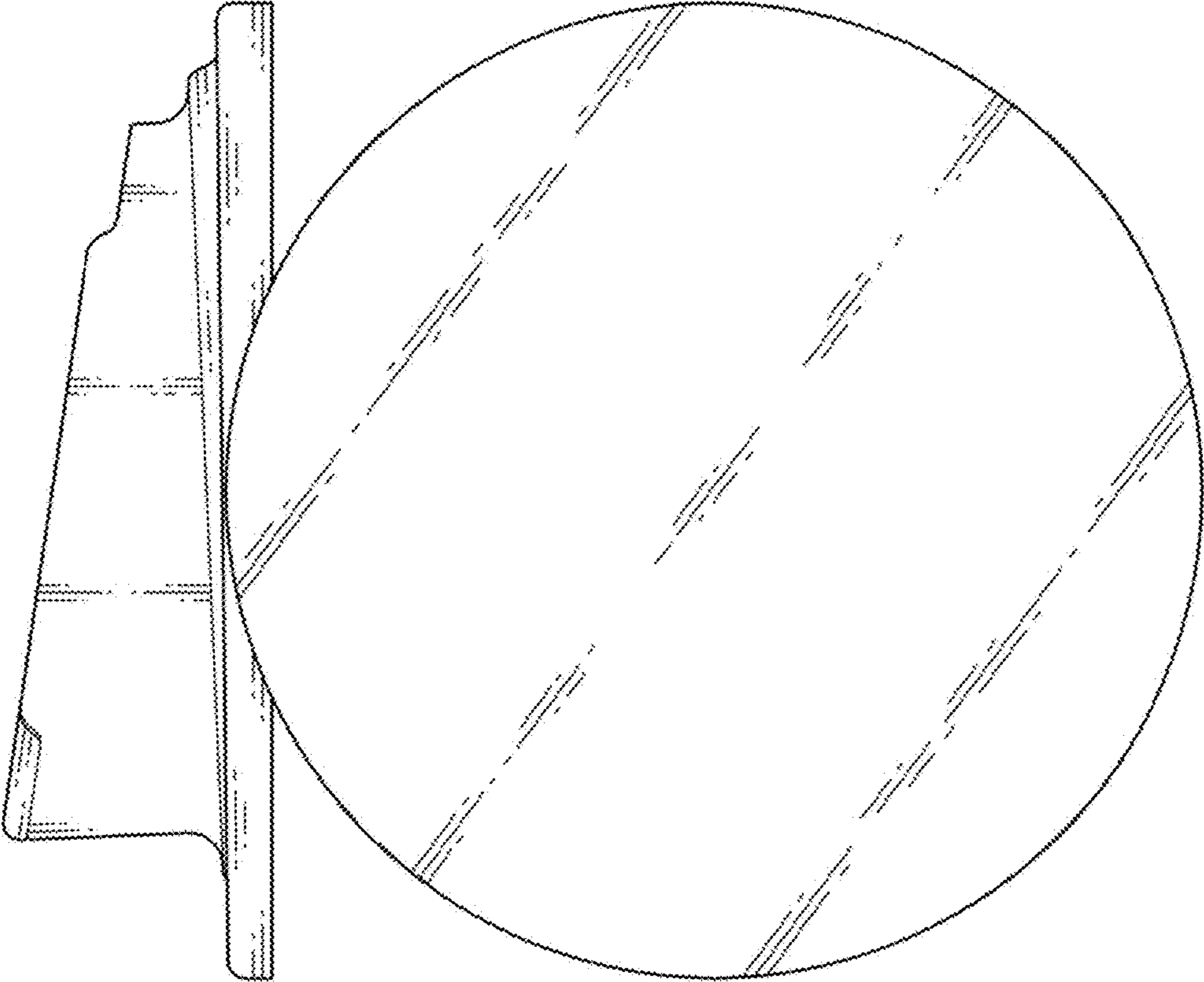
1.10



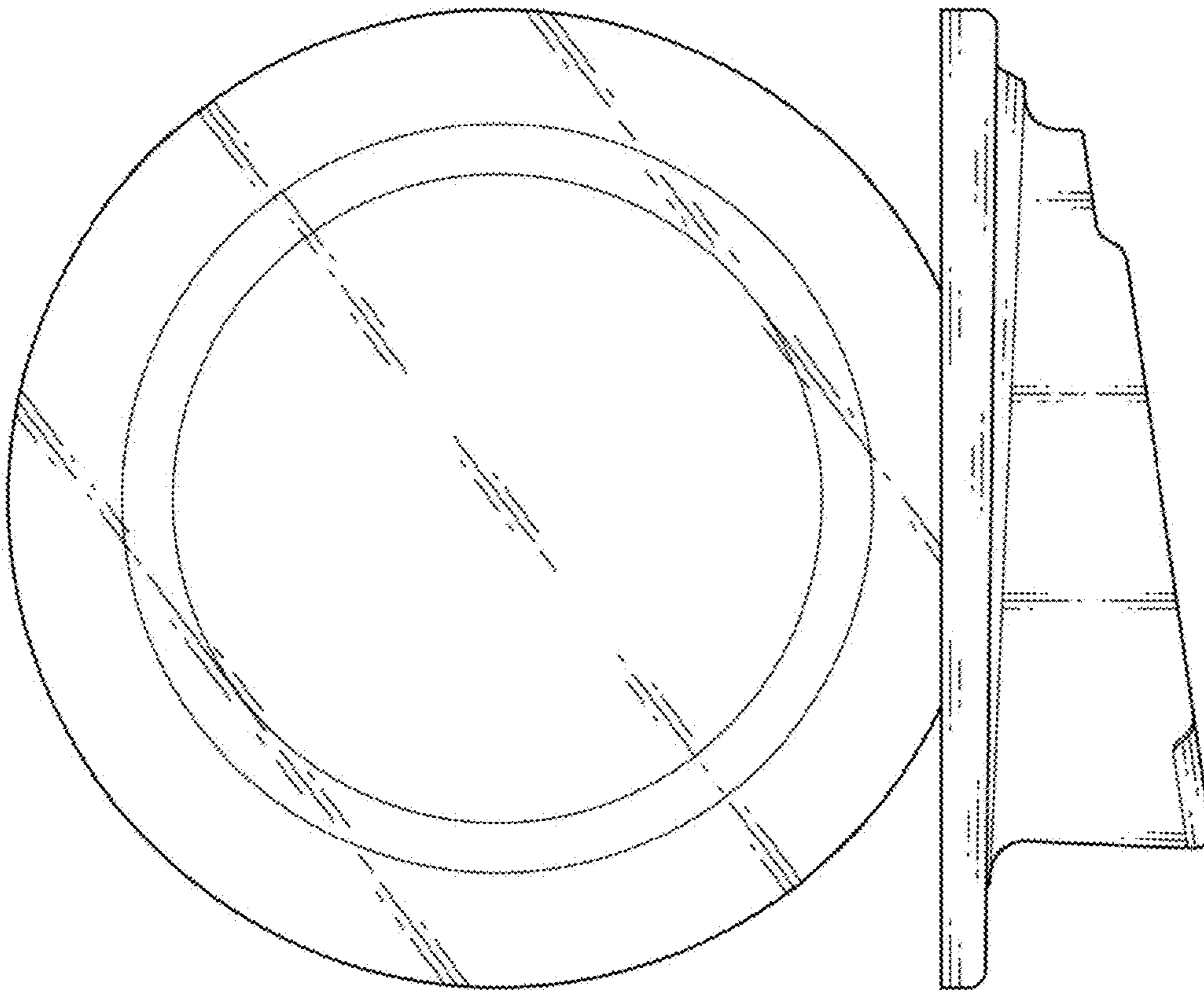
1.11



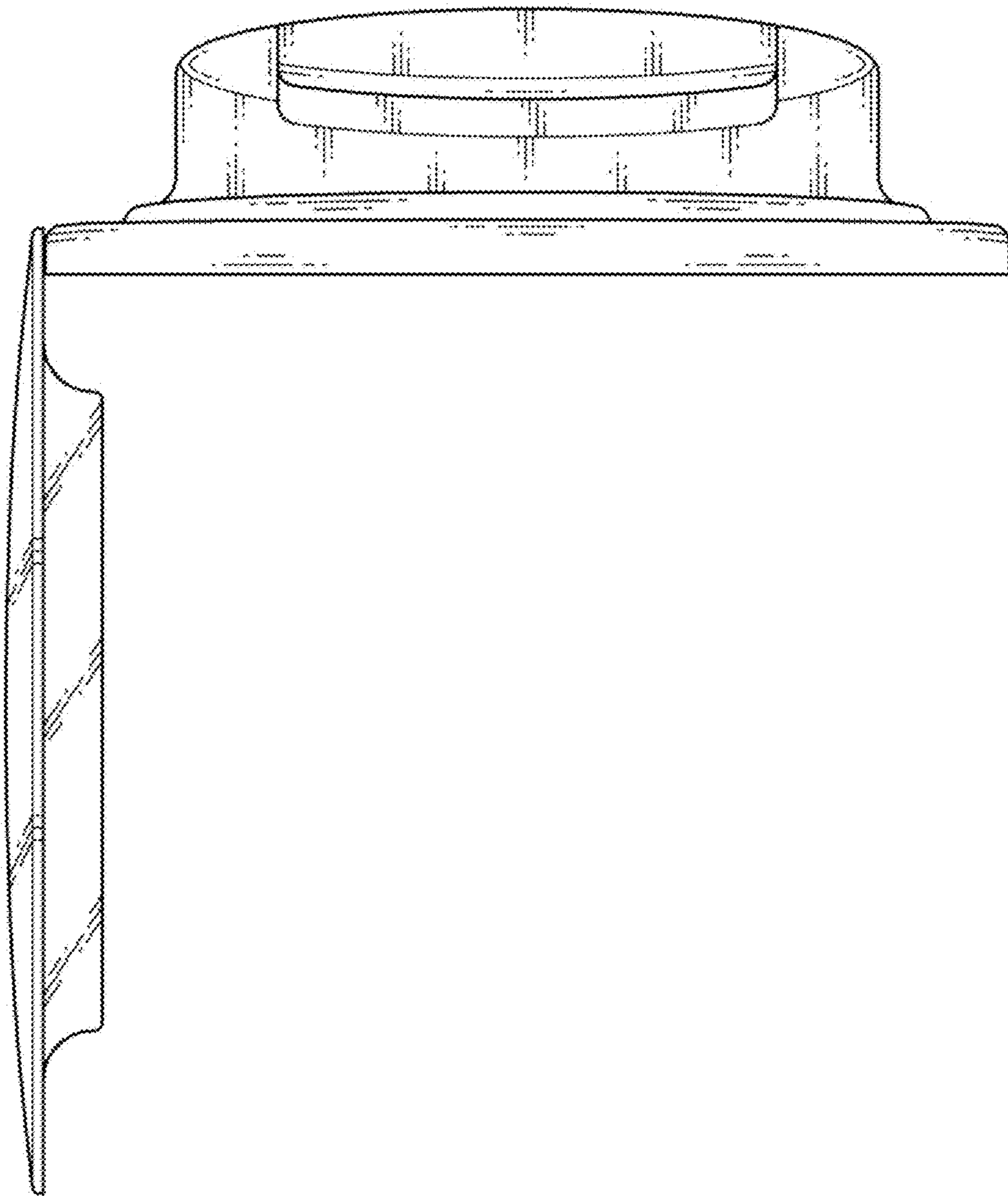
1.12



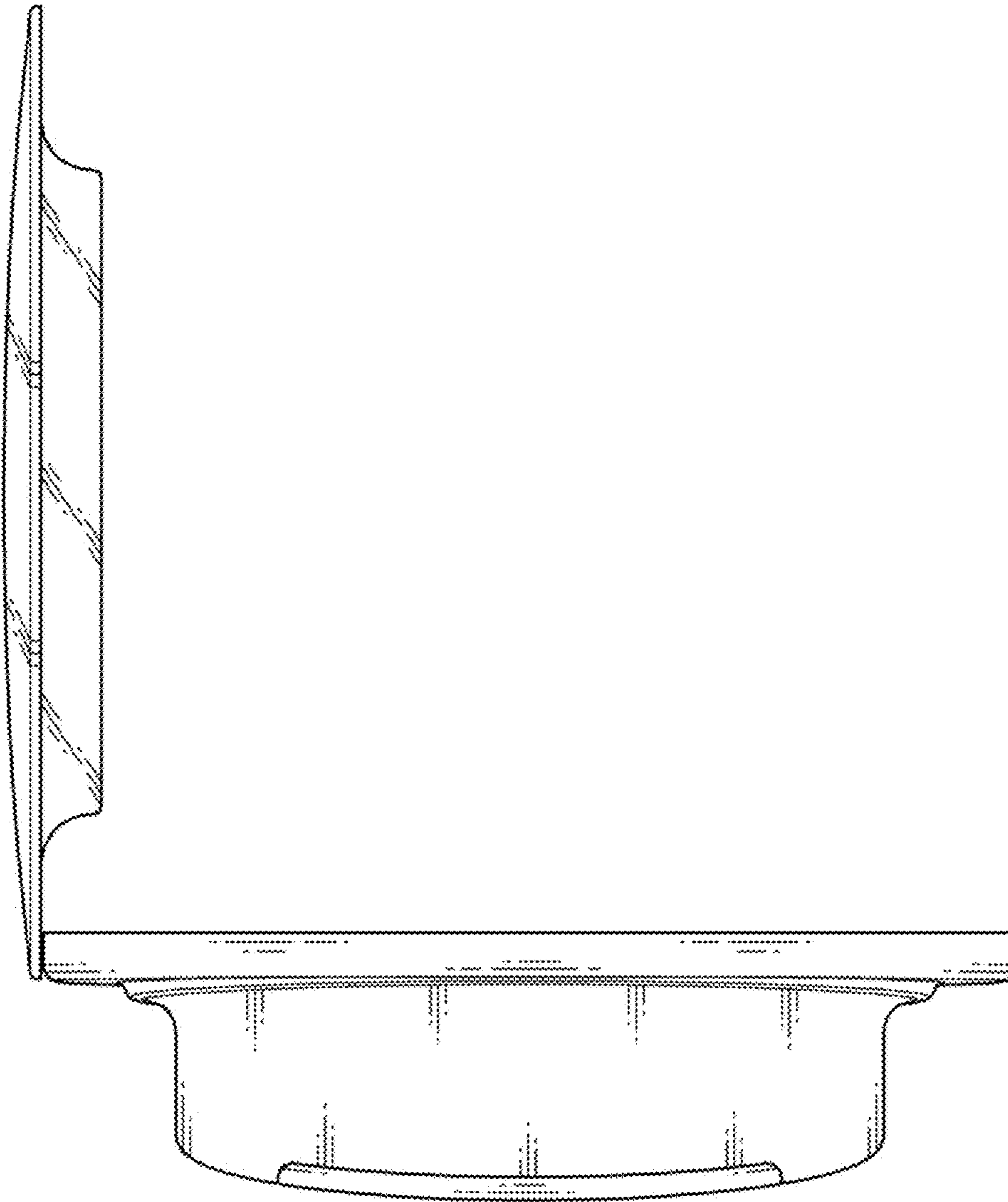
1.13



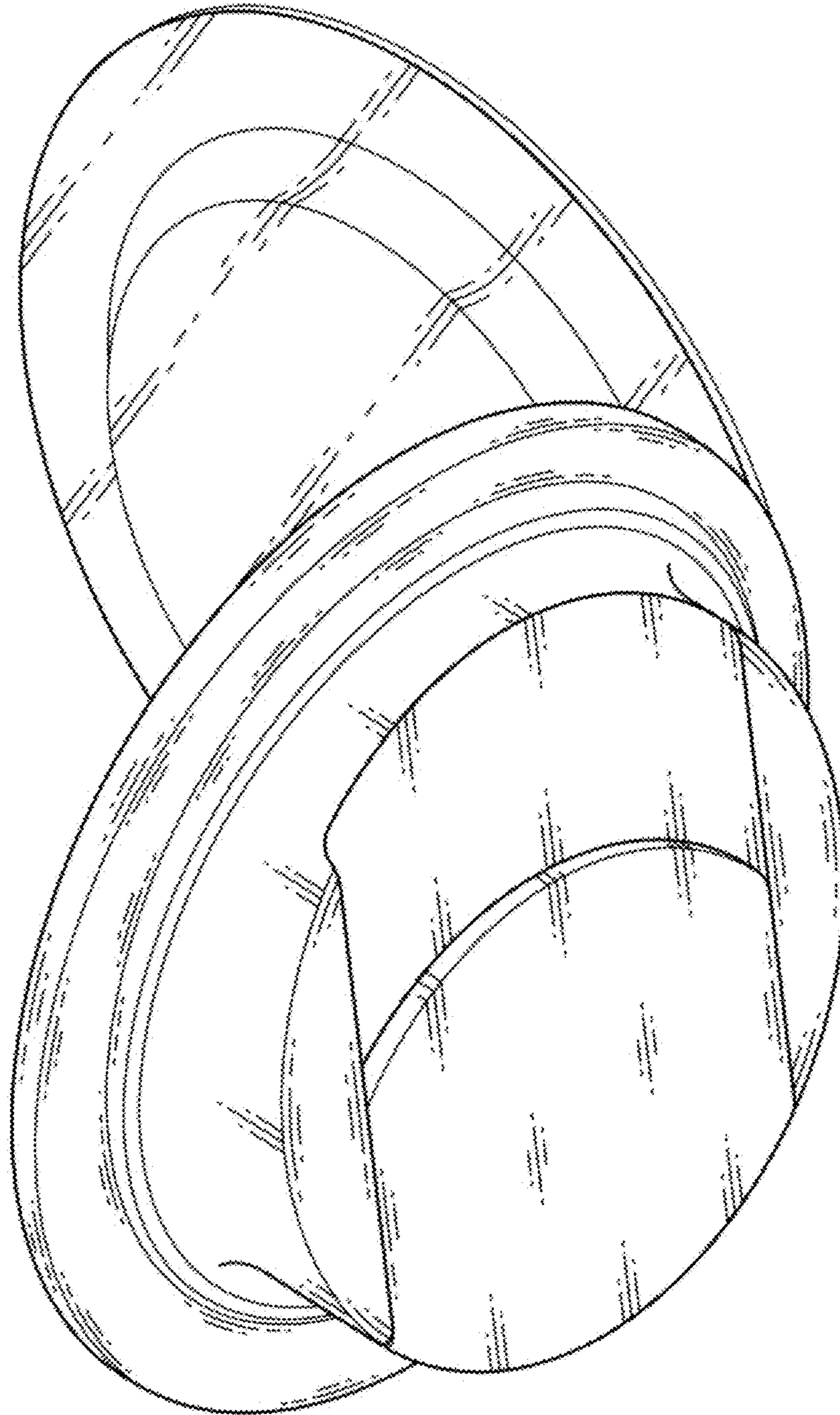
1.14



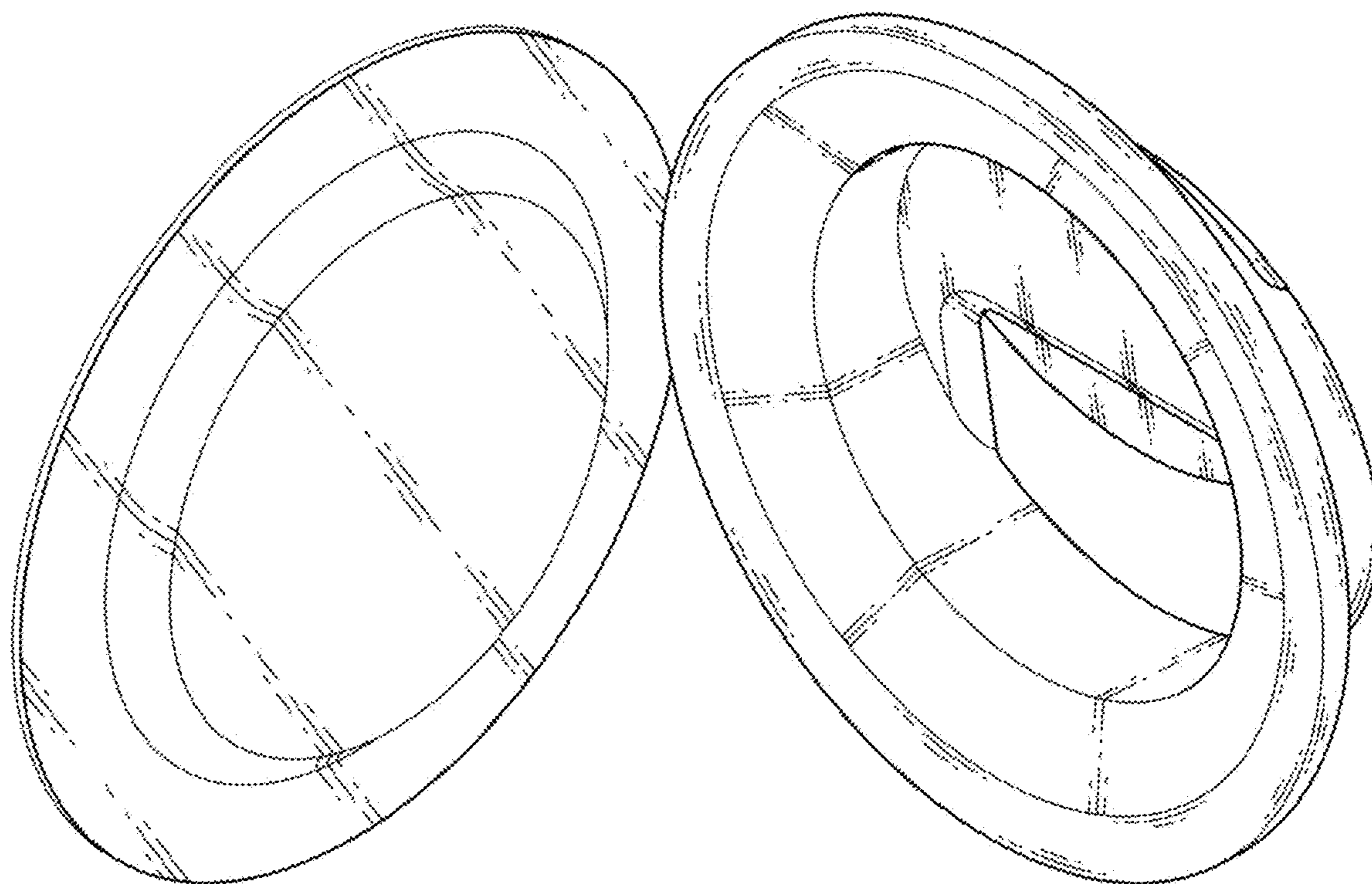
1.15



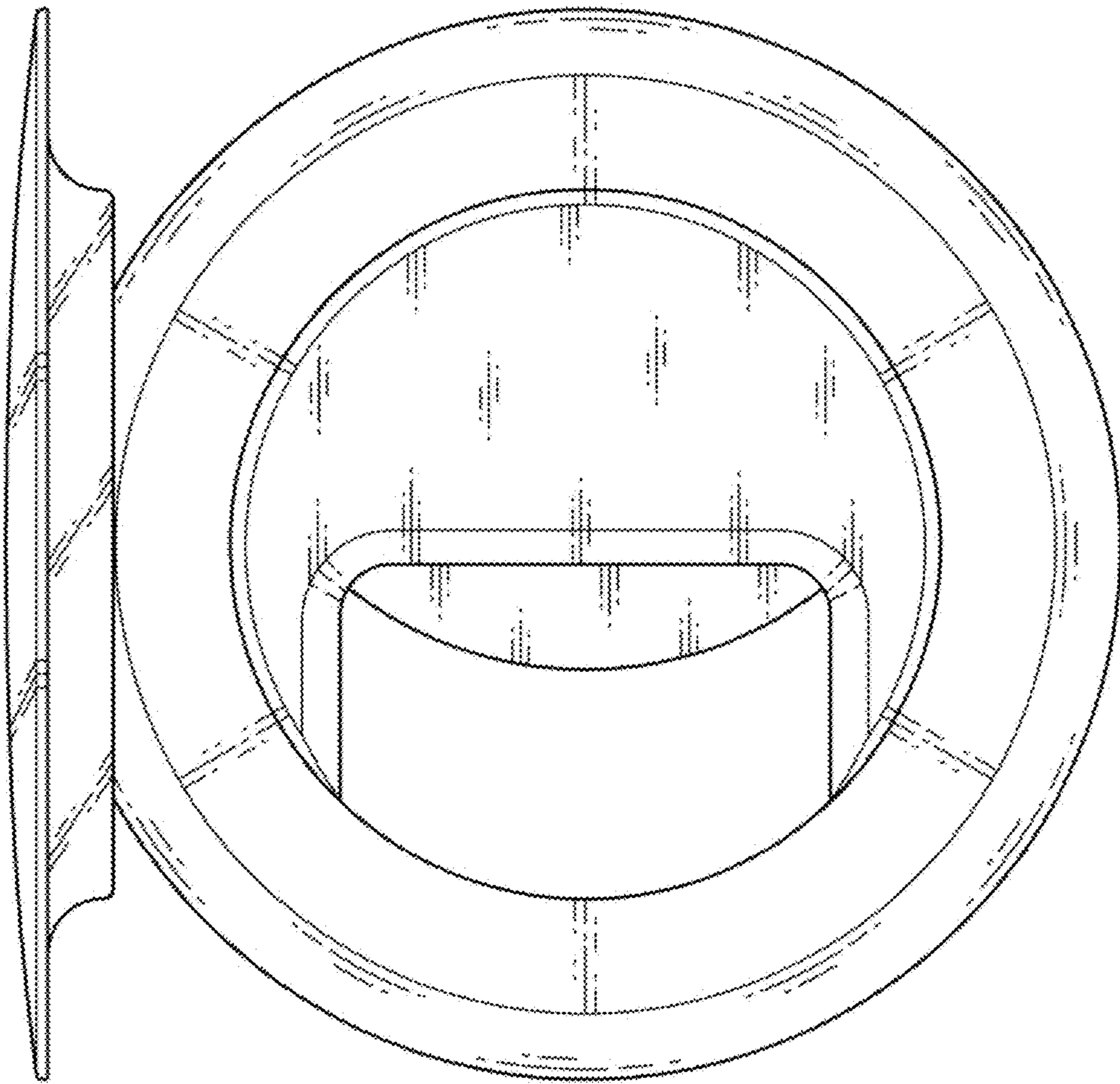
1.16



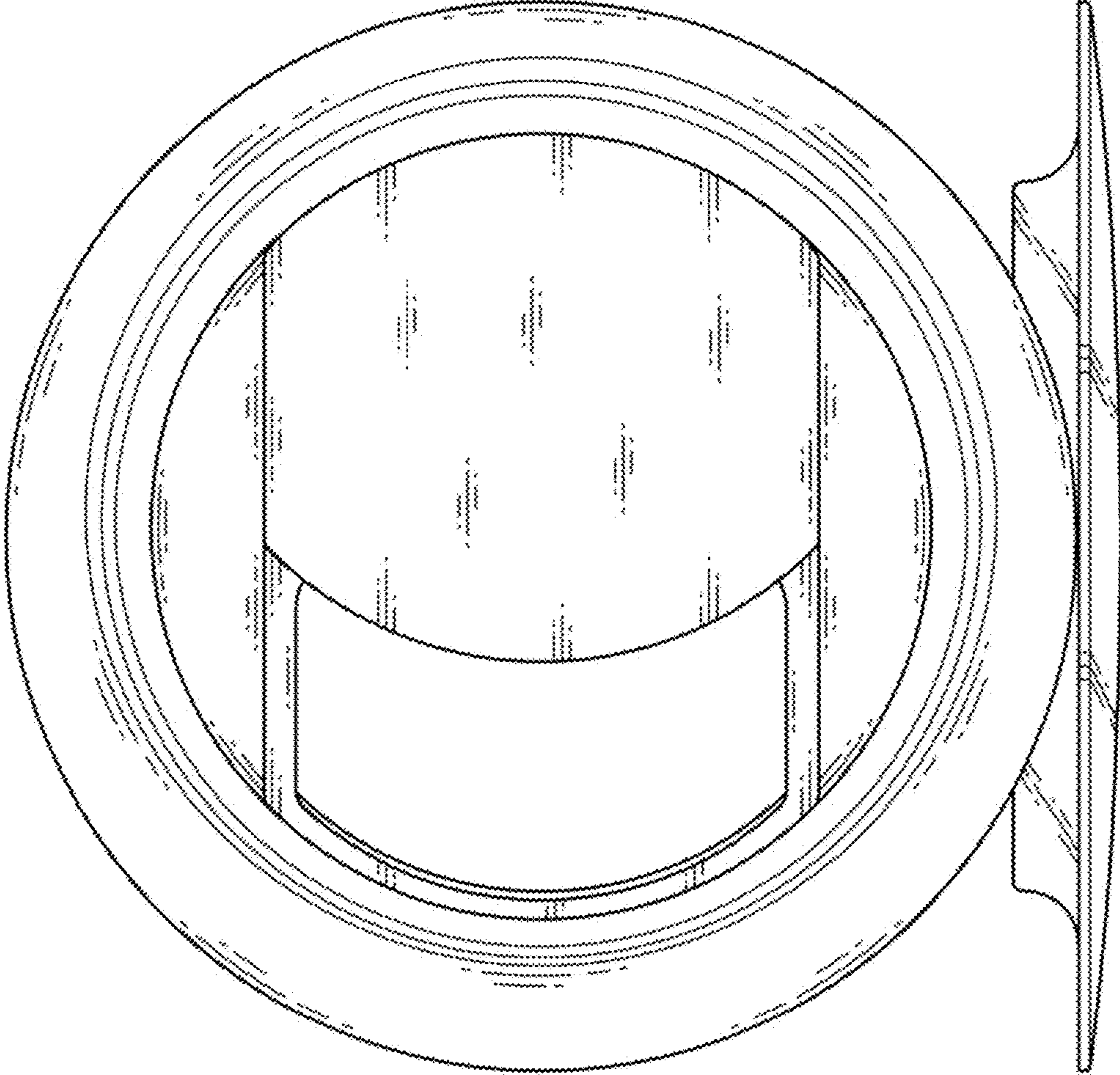
1.17



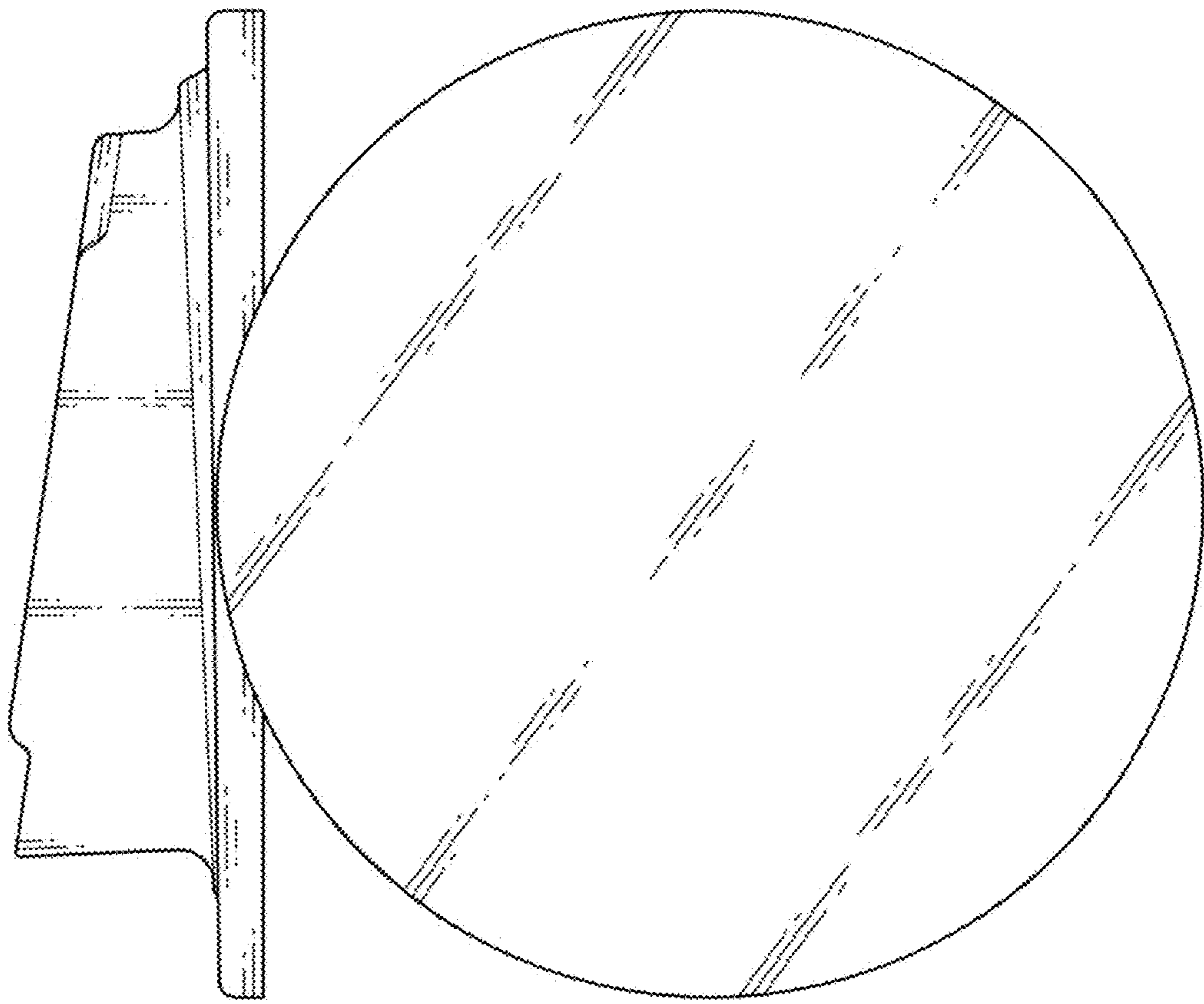
1.18



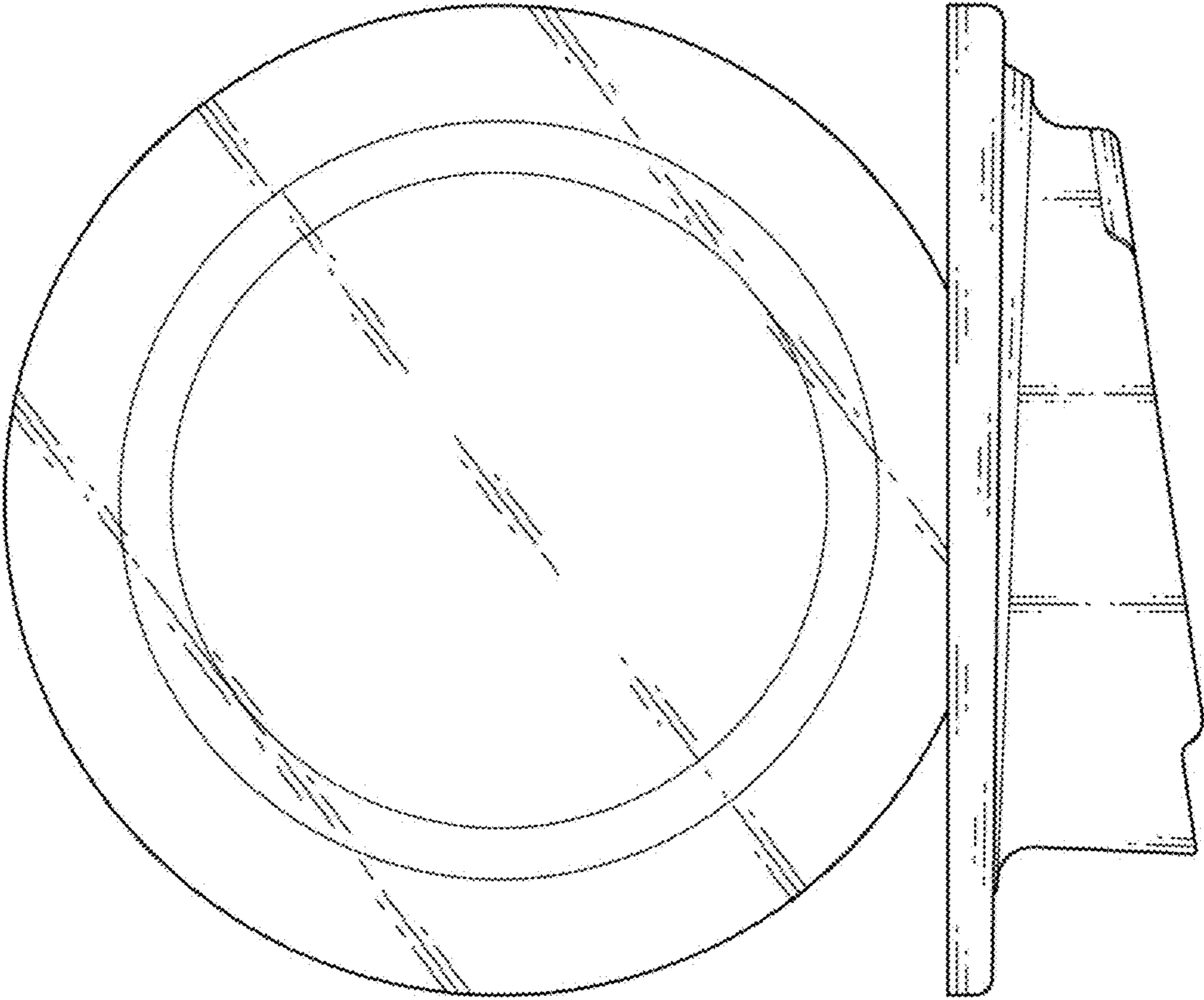
1.19



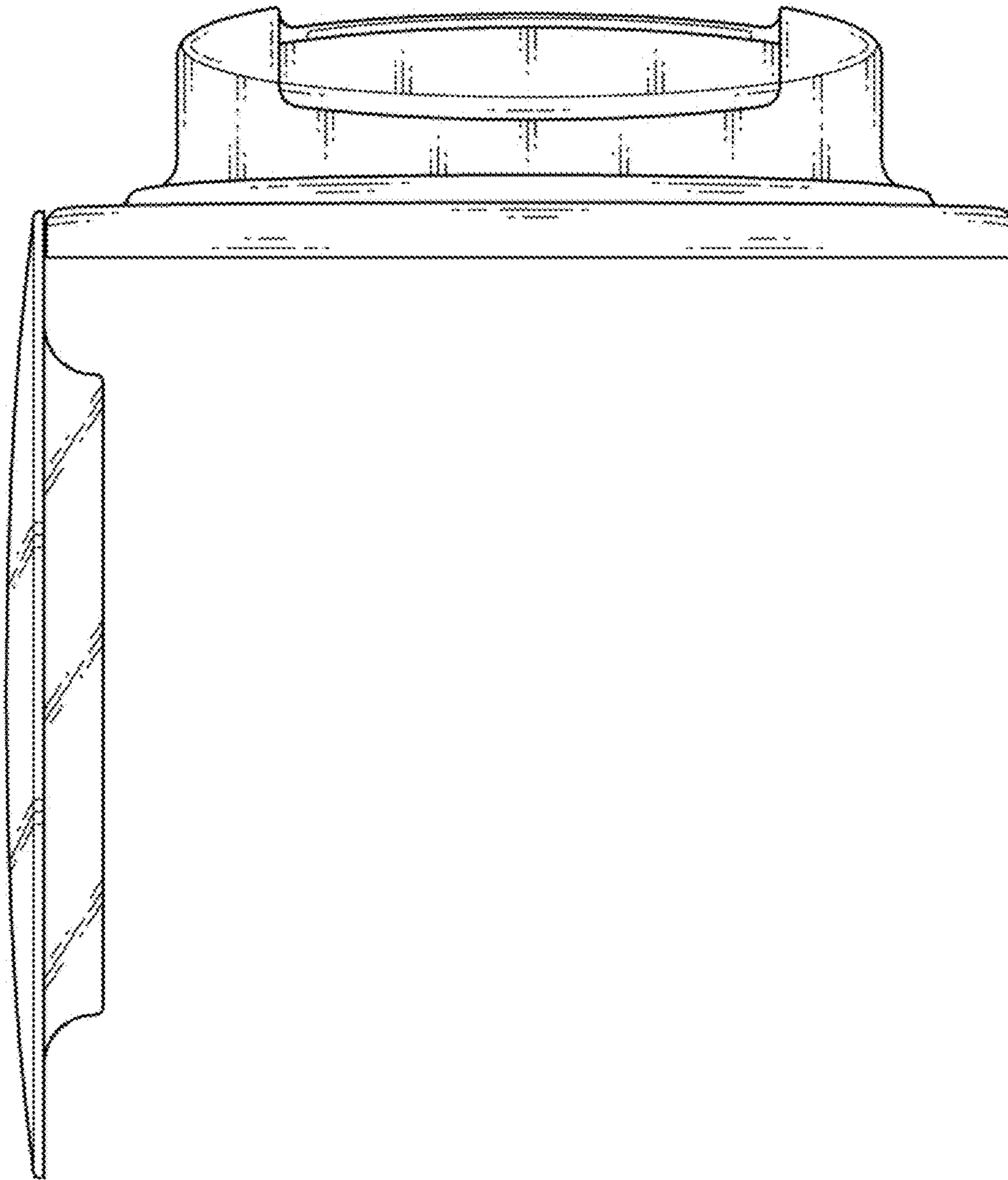
1.20



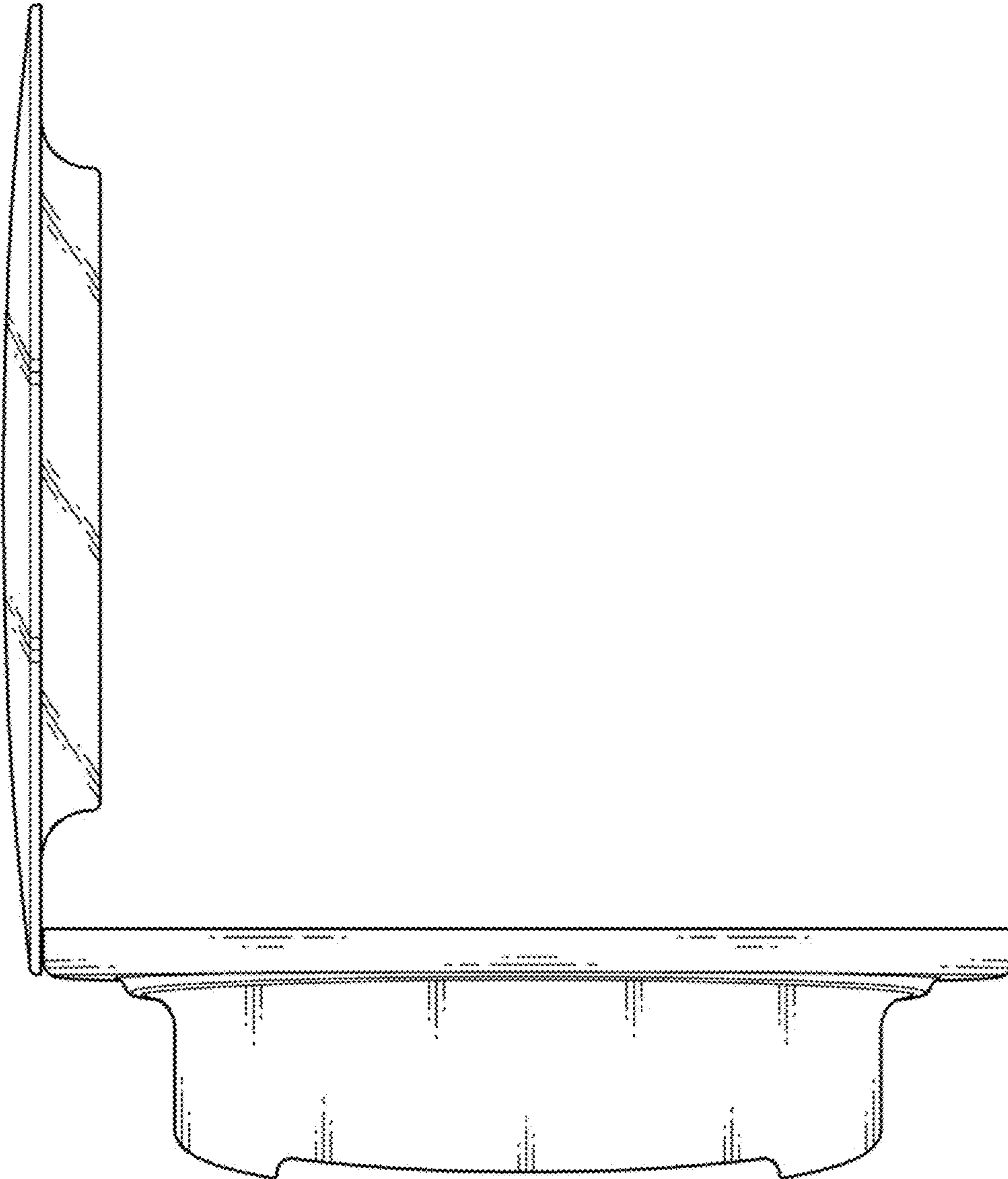
1.21



1.22



1.23



1.24

