



US00D833091S

(12) **United States Design Patent** (10) **Patent No.:** **US D833,091 S**
Ayers et al. (45) **Date of Patent:** **** Nov. 6, 2018**

- (54) **DRYER**
- (71) Applicant: **WHIRLPOOL CORPORATION**,
Benton Harbor, MI (US)
- (72) Inventors: **Kevin B. Ayers**, St. Joseph, MI (US);
Michael R. Mackay, St. Joseph, MI (US)
- (73) Assignee: **Whirlpool Corporation**, Benton Harbor, MI (US)
- (**) Term: **15 Years**
- (21) Appl. No.: **29/557,504**
- (22) Filed: **Mar. 9, 2016**
- (51) **LOC (11) Cl.** **15-05**
- (52) **U.S. Cl.**
USPC **D32/6**
- (58) **Field of Classification Search**
USPC D32/1, 6, 5, 8, 25, 29; 68/12.01, 12.07,
68/12.08, 212, 3 R, 5 R; 34/87, 88,
34/523-524, 604
CPC D06F 39/02; D06F 58/00; D06F 58/02;
D06F 58/10; D06F 58/20
See application file for complete search history.

- (56) **References Cited**
U.S. PATENT DOCUMENTS
- | | | |
|-------------|---------|----------------|
| 4,307,588 A | 12/1981 | Smith et al. |
| D492,073 S | 6/2004 | Sneddon |
| D496,507 S | 9/2004 | Johnson et al. |
| D521,197 S | 5/2006 | Kim et al. |
| D527,150 S | 8/2006 | Jun |
| D527,853 S | 9/2006 | Carey et al. |
| D532,941 S | 11/2006 | Carey et al. |
| D538,488 S | 3/2007 | Carey et al. |
| D542,487 S | 5/2007 | Jun |
| D554,307 S | 10/2007 | Kim |
| D556,394 S | 11/2007 | Kim |

- | | | |
|------------|---------|-----------------|
| D575,012 S | 8/2008 | Rossetto et al. |
| D575,464 S | 8/2008 | Rossetto et al. |
| D589,215 S | 3/2009 | Cho et al. |
| D618,865 S | 6/2010 | Cline et al. |
| D619,314 S | 7/2010 | Bixby et al. |
| D620,656 S | 7/2010 | Bixby et al. |
| D621,563 S | 8/2010 | Bixby et al. |
| D627,115 S | 11/2010 | Jeon et al. |
| D630,807 S | 1/2011 | Song et al. |
| D631,215 S | 1/2011 | Song et al. |
| D631,623 S | 1/2011 | Chung et al. |
| D632,033 S | 2/2011 | Song et al. |
| D633,261 S | 2/2011 | Song et al. |
| D648,084 S | 11/2011 | Browne et al. |
| D648,085 S | 11/2011 | Miller et al. |
| D648,497 S | 11/2011 | Bhattacharya |
| D654,640 S | 2/2012 | Song et al. |

(Continued)

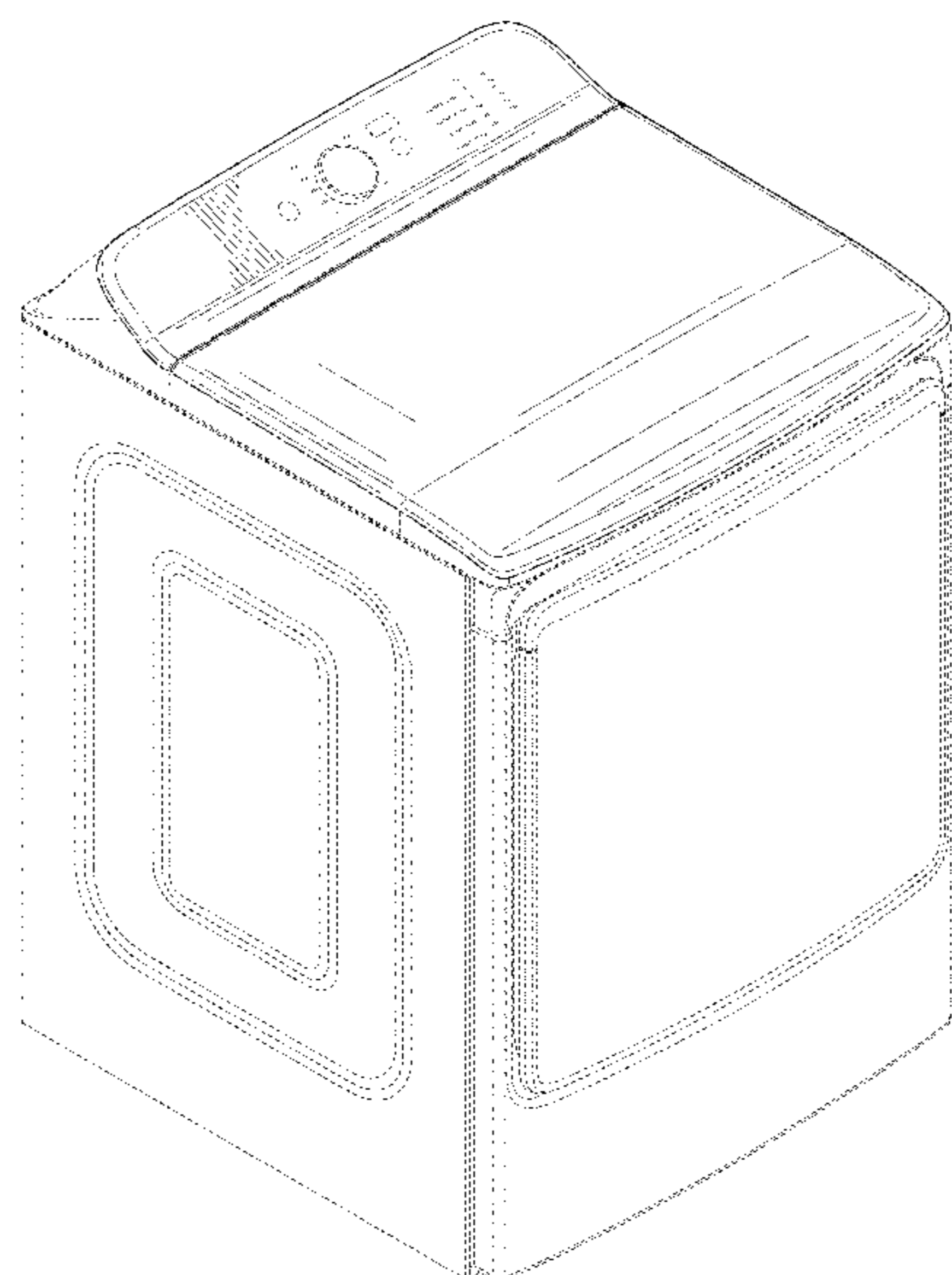
Primary Examiner — Susan Bennett Hattan
Assistant Examiner — Rebecca Tsehaye
(74) *Attorney, Agent, or Firm* — Price Heneveld LLP

(57) **CLAIM**
The ornamental design for a dryer, as shown and described.

DESCRIPTION

FIG. 1 is a front perspective view of a dryer according to our design;
FIG. 2 is a front elevation view thereof;
FIG. 3 is a rear elevation view thereof;
FIG. 4 is a left side elevation view thereof;
FIG. 5 is a right side elevation view thereof;
FIG. 6 is a top plan view thereof; and,
FIG. 7 is a bottom plan view thereof.
The broken line showing of various features is for the purpose of illustrating unclaimed portions of the washing machine and forms no part of the claimed design.
Dash-dot lines adjacent un-shaded areas represent bounds of the claimed design and form no part thereof.

1 Claim, 7 Drawing Sheets



(56)

References Cited

U.S. PATENT DOCUMENTS

D661,852 S 6/2012 Song et al.
 8,297,085 B2 10/2012 Kim et al.
 D679,462 S 4/2013 Zhang et al.
 D681,892 S 5/2013 Meda et al.
 8,511,115 B2 8/2013 Kim et al.
 D694,965 S 12/2013 Lee et al.
 D695,474 S 12/2013 Calmeise
 D697,680 S 1/2014 Hwang et al.
 D699,906 S 2/2014 Choi et al.
 D699,907 S 2/2014 Choi et al.
 D700,410 S 2/2014 Hwang et al.
 D701,656 S 3/2014 Choi et al.
 D701,659 S 3/2014 Choi
 D703,887 S 4/2014 Lee et al.
 D704,907 S 5/2014 Yoo et al.
 D705,508 S 5/2014 Calmeise
 D708,800 S 7/2014 Choi et al.
 D709,657 S 7/2014 Shin et al.
 8,763,431 B2 7/2014 Kim et al.
 D711,605 S 8/2014 Jo et al.
 8,820,861 B2 9/2014 Kim et al.
 D718,505 S 11/2014 Hyounsub et al.
 8,936,330 B2 1/2015 Kim et al.
 D729,467 S 5/2015 Jee et al.
 D729,998 S 5/2015 Jeon et al.
 D730,597 S * 5/2015 Jeon D32/8
 D733,372 S 6/2015 Song et al.
 D733,375 S 6/2015 Uk et al.
 9,049,929 B2 6/2015 Kilgore et al.
 D739,096 S 9/2015 Qin et al.
 9,200,842 B2 12/2015 Hopkins
 D754,937 S * 4/2016 Kim D32/8
 D759,325 S 6/2016 Jeon et al.
 D760,454 S 6/2016 Joo et al.
 D760,967 S 7/2016 Joo et al.
 D760,968 S * 7/2016 Choi D32/8
 D761,502 S 7/2016 Joo et al.
 D761,503 S 7/2016 Choi et al.
 D762,021 S 7/2016 Qin et al.

D762,025 S 7/2016 Joo et al.
 D764,121 S 8/2016 Choi et al.
 D772,505 S 11/2016 Bixby et al.
 D772,506 S 11/2016 Bixby et al.
 D772,507 S * 11/2016 Bixby D32/25
 D776,886 S * 1/2017 Choi D32/8
 D778,010 S * 1/2017 Choi D32/8
 D795,511 S * 8/2017 Jeon D32/6
 D795,512 S * 8/2017 Joo D32/8
 D798,005 S * 9/2017 Bixby D32/6
 D798,510 S * 9/2017 Bixby D32/6
 D798,511 S * 9/2017 Bixby D32/6
 2003/0042654 A1 3/2003 Bienick et al.
 2004/0068951 A1 4/2004 Bienick et al.
 2004/0231370 A1 11/2004 Cheo et al.
 2005/0050925 A1 3/2005 Je et al.
 2006/0254323 A1 11/2006 Kim
 2006/0288608 A1 * 12/2006 Carow D06F 58/04
 34/604
 2006/0288742 A1 12/2006 Hapke et al.
 2009/0193678 A1 8/2009 Latack et al.
 2009/0229320 A1 9/2009 Yoo et al.
 2011/0050059 A1 3/2011 Kim et al.
 2011/0050060 A1 3/2011 Kim et al.
 2011/0062837 A1 3/2011 Kim et al.
 2011/0089793 A1 4/2011 Kim et al.
 2011/0121694 A1 5/2011 Kim et al.
 2011/0296630 A1 12/2011 Frazer et al.
 2012/0327201 A1 12/2012 Kappler et al.
 2013/0193823 A1 8/2013 Cho et al.
 2013/0327101 A1 12/2013 Leibman et al.
 2014/0210324 A1 7/2014 Kilgore et al.
 2014/0373284 A1 12/2014 Leibman et al.
 2015/0123521 A1 5/2015 Lee et al.
 2015/0233039 A1 8/2015 Cho et al.
 2015/0233042 A1 8/2015 Kang et al.
 2015/0252508 A1 9/2015 Kim et al.
 2015/0267337 A1 9/2015 Kim et al.
 2015/0292136 A1 10/2015 Leonard et al.
 2015/0345069 A1 12/2015 Leibman et al.
 2016/0010268 A1 1/2016 Hawboldt et al.

* cited by examiner

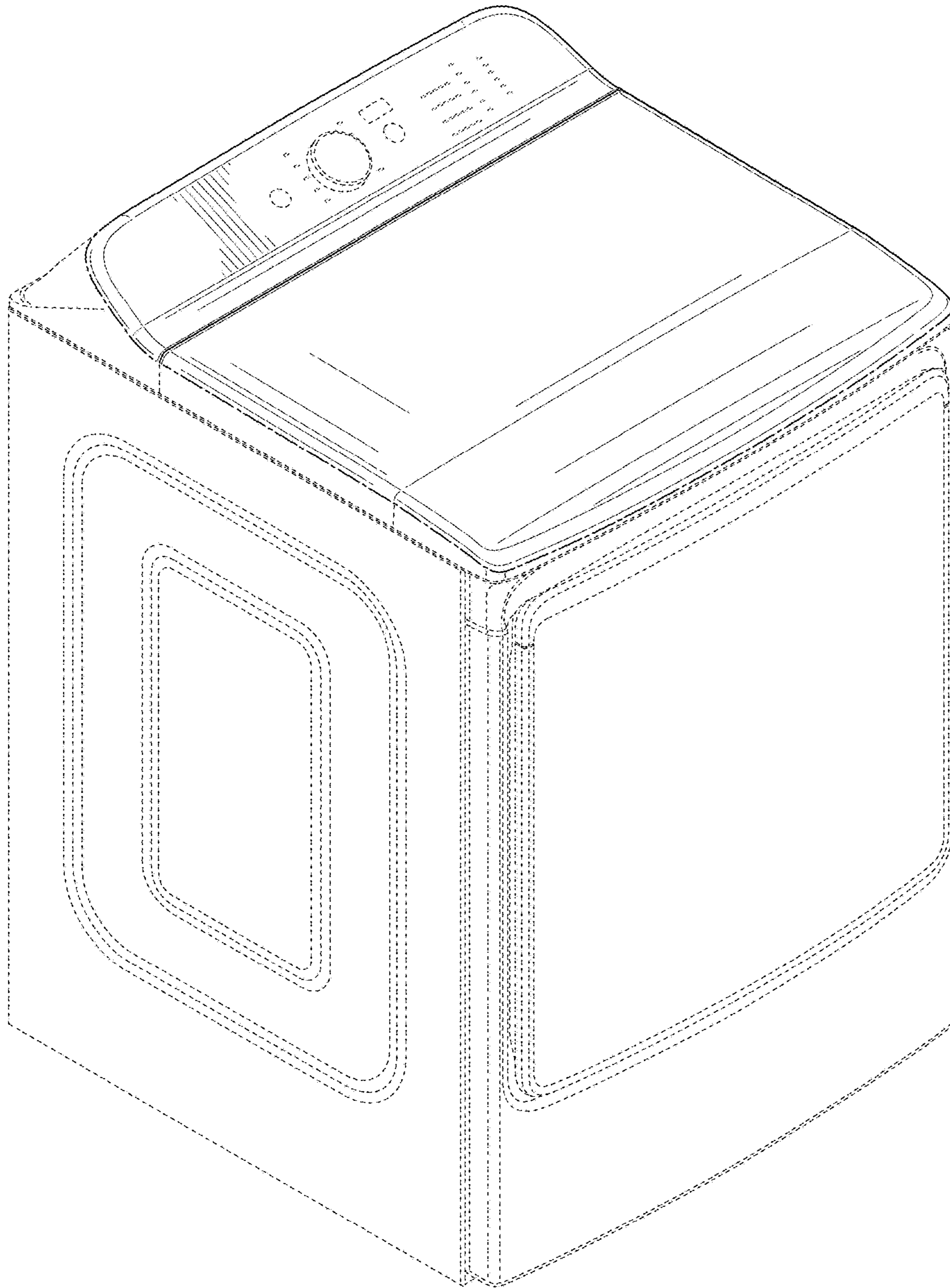


FIG. 1

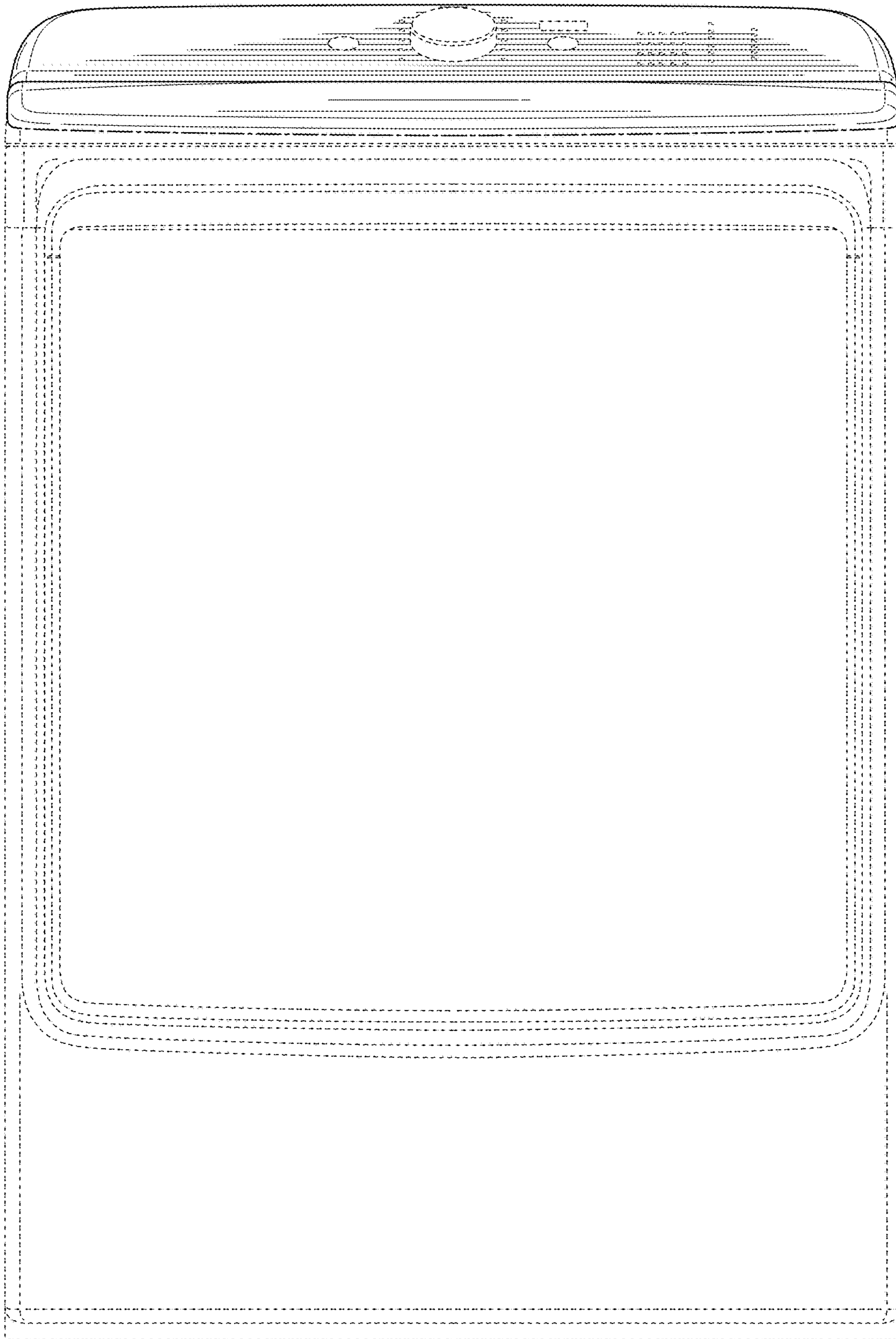


FIG. 2

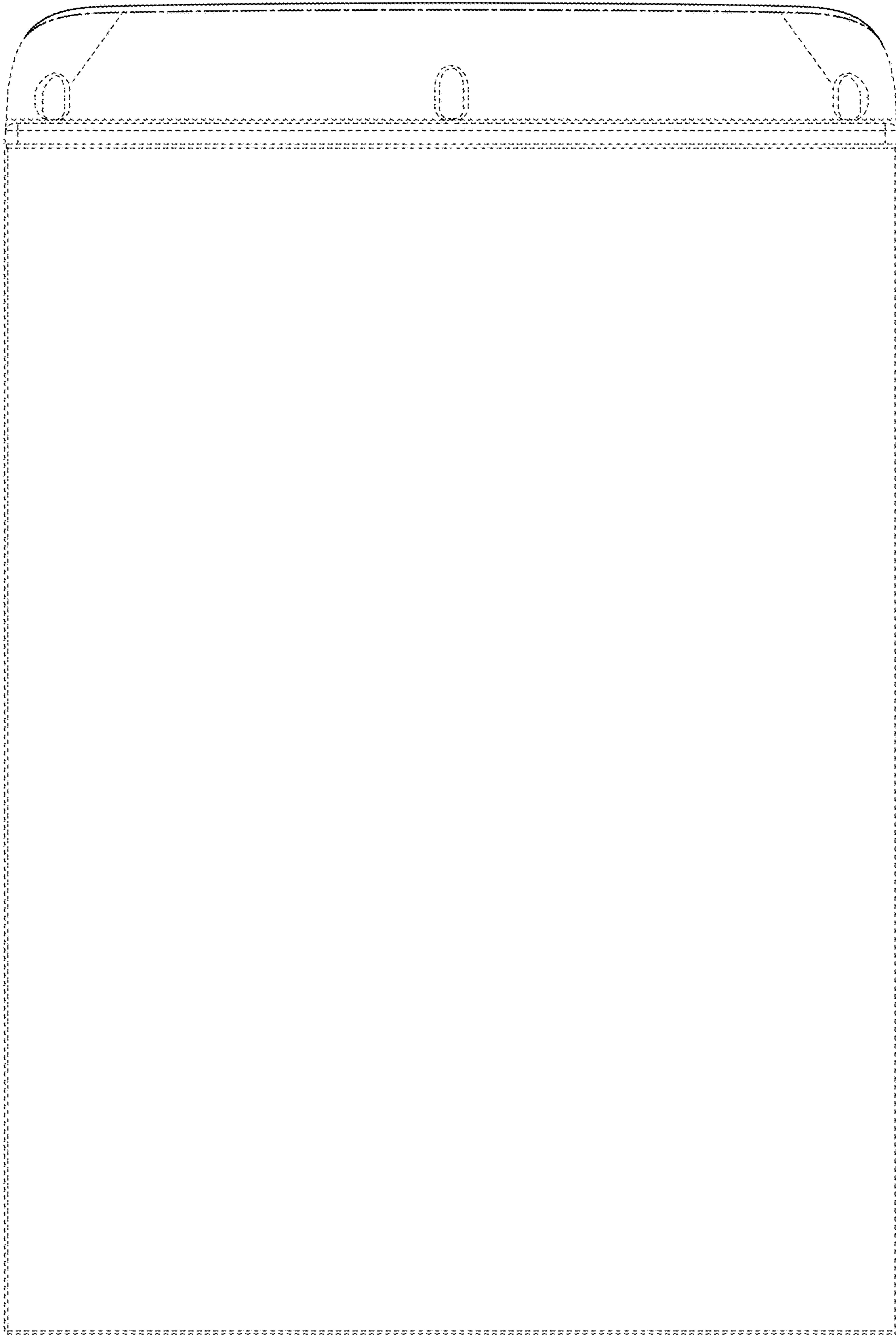


FIG. 3

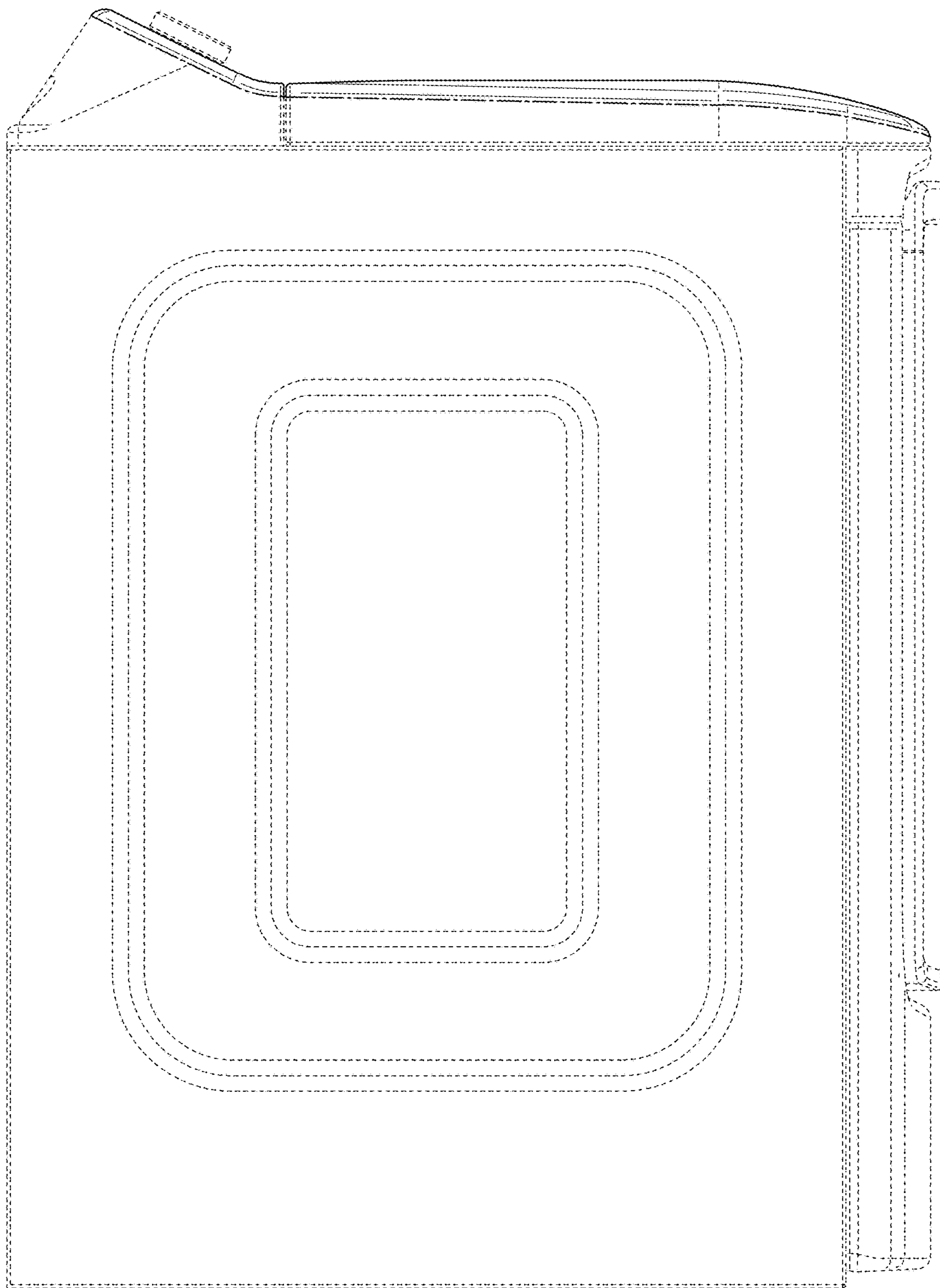


FIG. 4

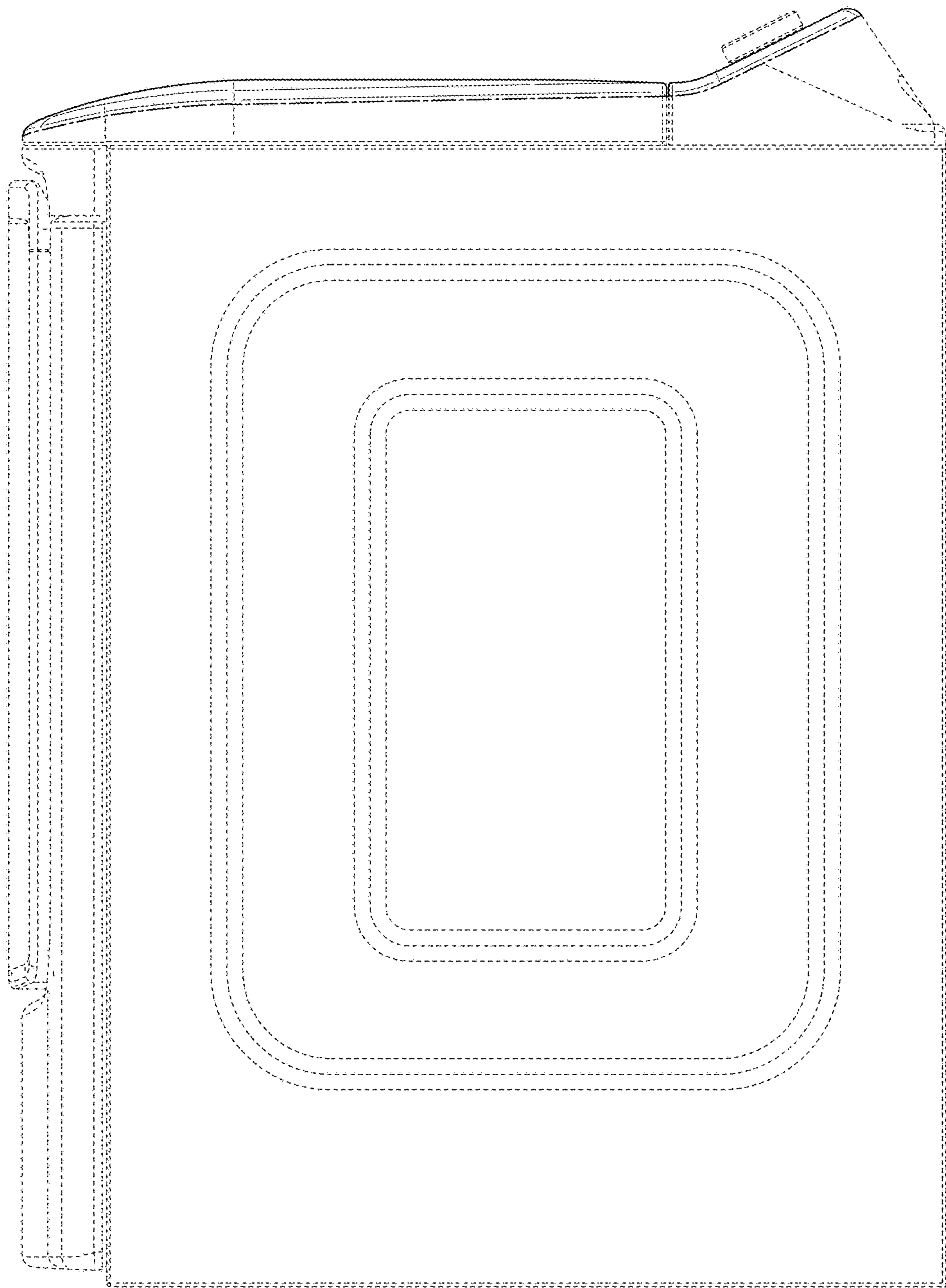


FIG. 5

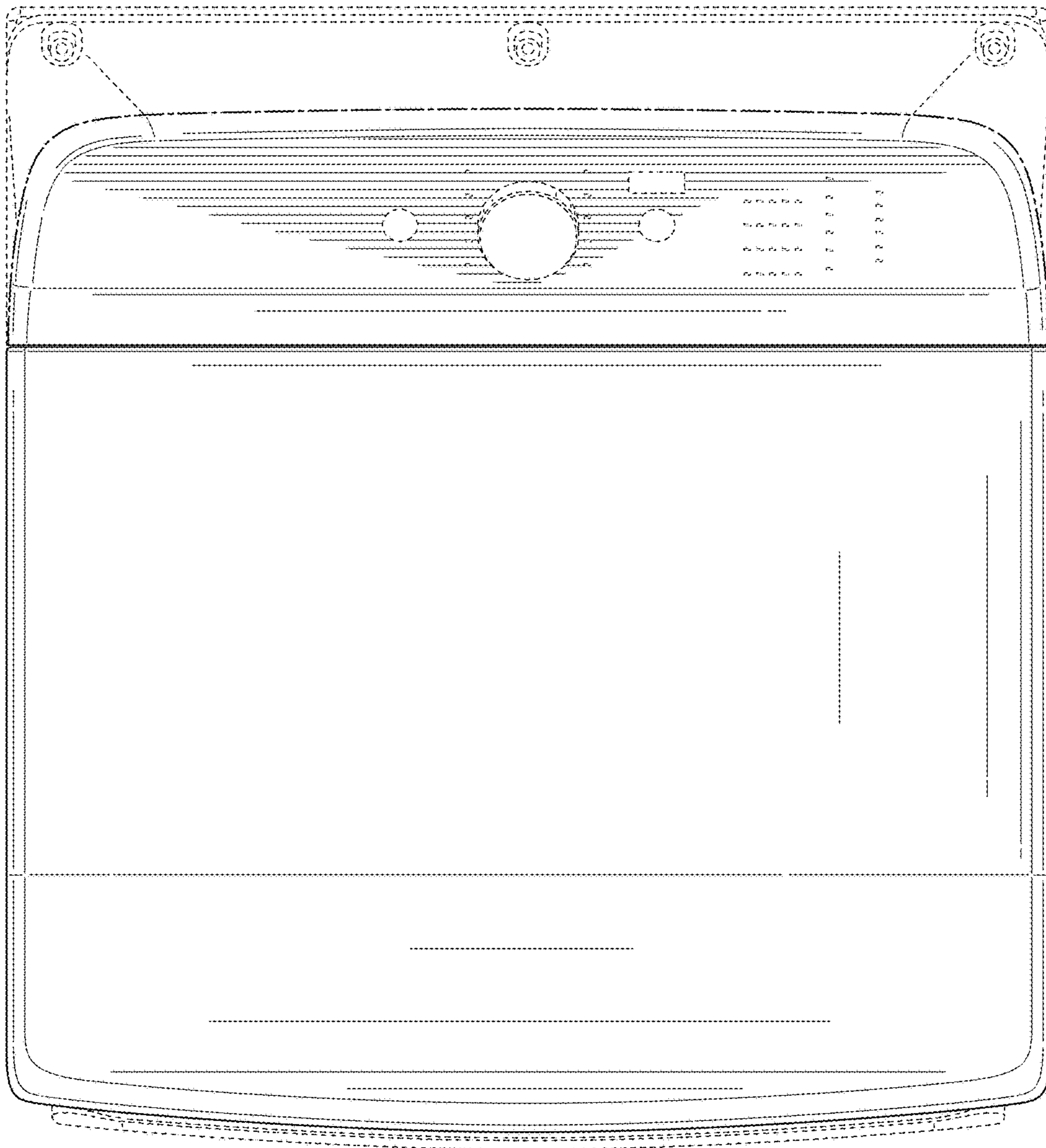


FIG. 6

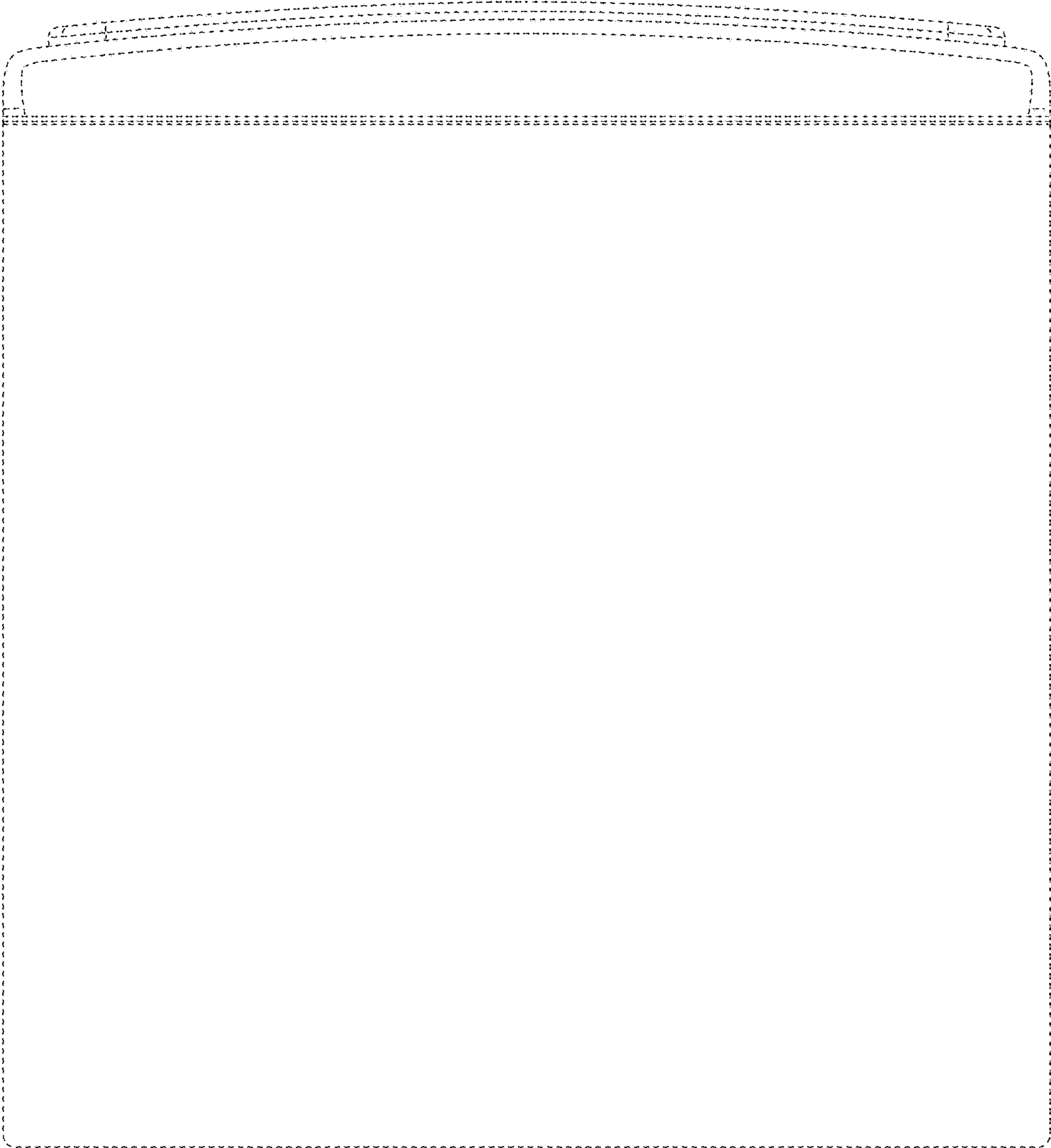


FIG. 7