



US00D833088S

(12) **United States Design Patent** (10) **Patent No.:** **US D833,088 S**
Lu et al. (45) **Date of Patent:** **** Nov. 6, 2018**

(54) **PET BOWL**

(56) **References Cited**

(71) Applicant: **NANJING ZAIXUAN INFORMATION TECHNOLOGY CO., LTD**, Nanjing, Jiangsu (CN)

U.S. PATENT DOCUMENTS

(72) Inventors: **Hao Lu**, Jiangsu (CN); **Dali Wei**, Jiangsu (CN)

D465,884 S *	11/2002	Ross	D30/129
D467,044 S *	12/2002	Tangolics	D30/129
D471,677 S *	3/2003	Northrop	D30/129
D472,021 S *	3/2003	Northrop	D30/129
D504,196 S *	4/2005	Huthmaker	D30/129
6,912,970 B2 *	7/2005	Sage, Jr.	A01K 5/0114 119/61.5

(73) Assignee: **NANJING ZAIXUAN INFORMATION TECHNOLOGY CO., LTD**, Nanjing, Jiangsu (CN)

D646,852 S *	10/2011	Chance	D30/129
D670,041 S *	10/2012	Chance	D30/129
D744,173 S *	11/2015	Jones	D30/129
D744,174 S *	11/2015	Jones	D30/121
D752,826 S *	3/2016	Gibbons	D30/132
D757,373 S *	5/2016	Breit	D30/129
D758,674 S *	6/2016	Youn	D30/129
D762,980 S *	8/2016	Aller	D3/304
D770,099 S *	10/2016	Jones	D30/129

(**) Term: **15 Years**

(Continued)

(21) Appl. No.: **29/606,635**

Primary Examiner — Susan Moon Lee

(22) Filed: **Jun. 6, 2017**

(74) *Attorney, Agent, or Firm* — Novick, Kim & Lee, PLLC; Allen Xue; Hyun Woo Shin

(30) **Foreign Application Priority Data**

Dec. 12, 2016 (CN) 2016 3 0609012

(57) **CLAIM**

(51) **LOC (11) Cl.** **30-03**

We claim the ornamental design for a pet bowl, as shown and described.

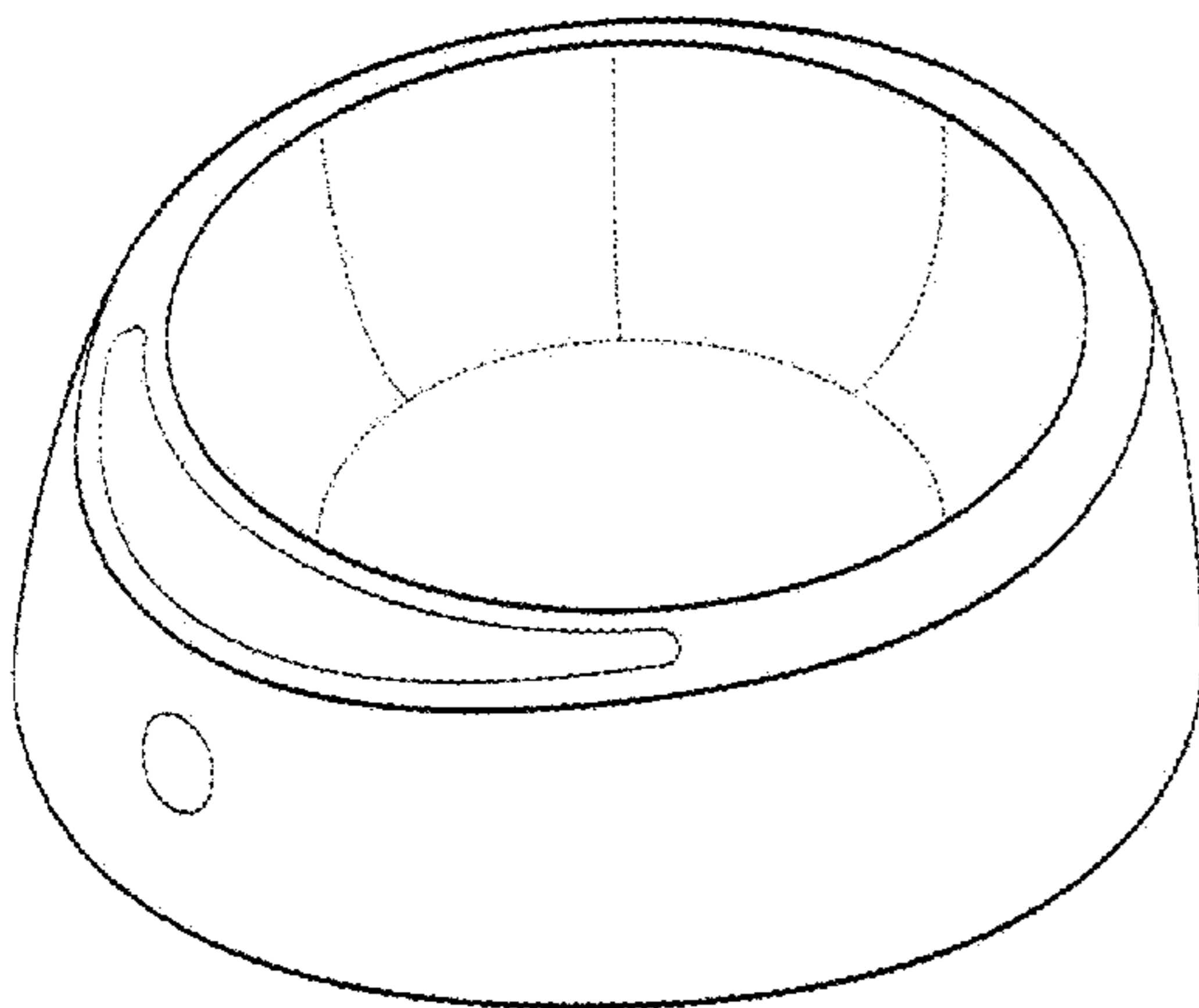
(52) **U.S. Cl.**
USPC **D30/129**

DESCRIPTION

(58) **Field of Classification Search**
USPC D30/121, 122, 129-133; 119/61.5, 51.01, 119/61.56, 51.03, 59, 62, 63, 51.5, 57.8, 119/74, 61.54, 61.55, 61; 312/204; 248/151, 188; 108/156, 153.1-157; 220/23.87, 630, 737, 743, 9.4, 495.01, 220/574, 212, 255, 23.83, 575; 206/515; D7/586, 543, 550.1, 587, 505, 584, 545, D7/500, 553.1-553.8, 546, 555, 556, 504, D7/565, 562, 602, 507, 549, 558, 552.2, D7/560, 566, 548, 681; D9/429; 43/109; D22/122; 99/430, DIG. 15
CPC A01K 5/01-5/0142; A01K 7/005
See application file for complete search history.

FIG. 1 is a perspective view of a pet bowl, showing our new design;
FIG. 2 is a front elevational view thereof;
FIG. 3 is a rear elevational view thereof;
FIG. 4 is a left side elevational view thereof;
FIG. 5 is a right side elevational view thereof;
FIG. 6 is a top plan view thereof; and,
FIG. 7 is a bottom plan view thereof.
The broken lines and unshaded portions contained within broken lines depict unclaimed features of the pet bowl that form no part of the claimed design but are shown for purposes of illustration.

1 Claim, 7 Drawing Sheets



(56)

References Cited

U.S. PATENT DOCUMENTS

D771,878 S * 11/2016 Zhang D30/129
9,723,812 B2 * 8/2017 Jones A01K 5/0114

* cited by examiner

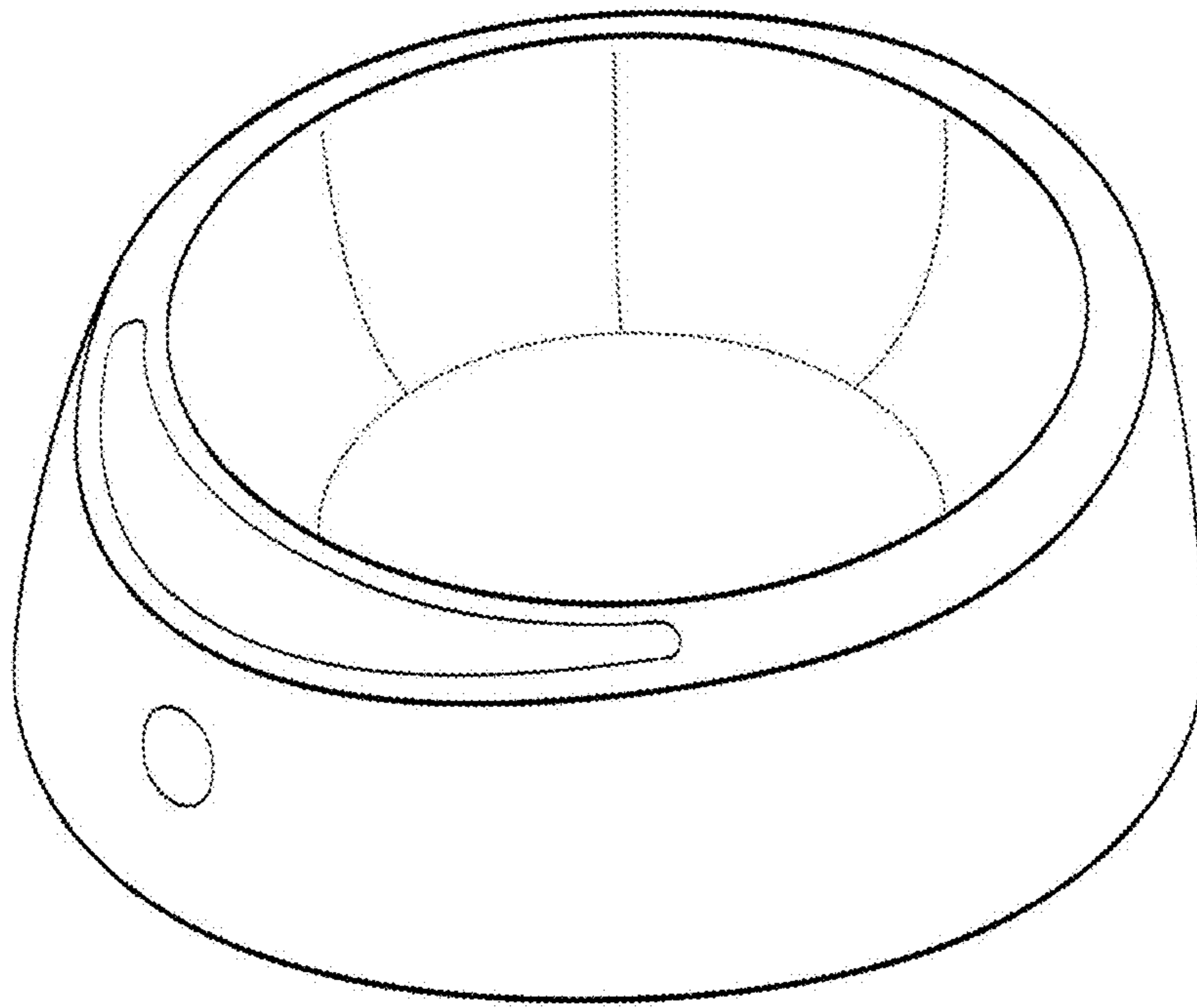


FIG. 1

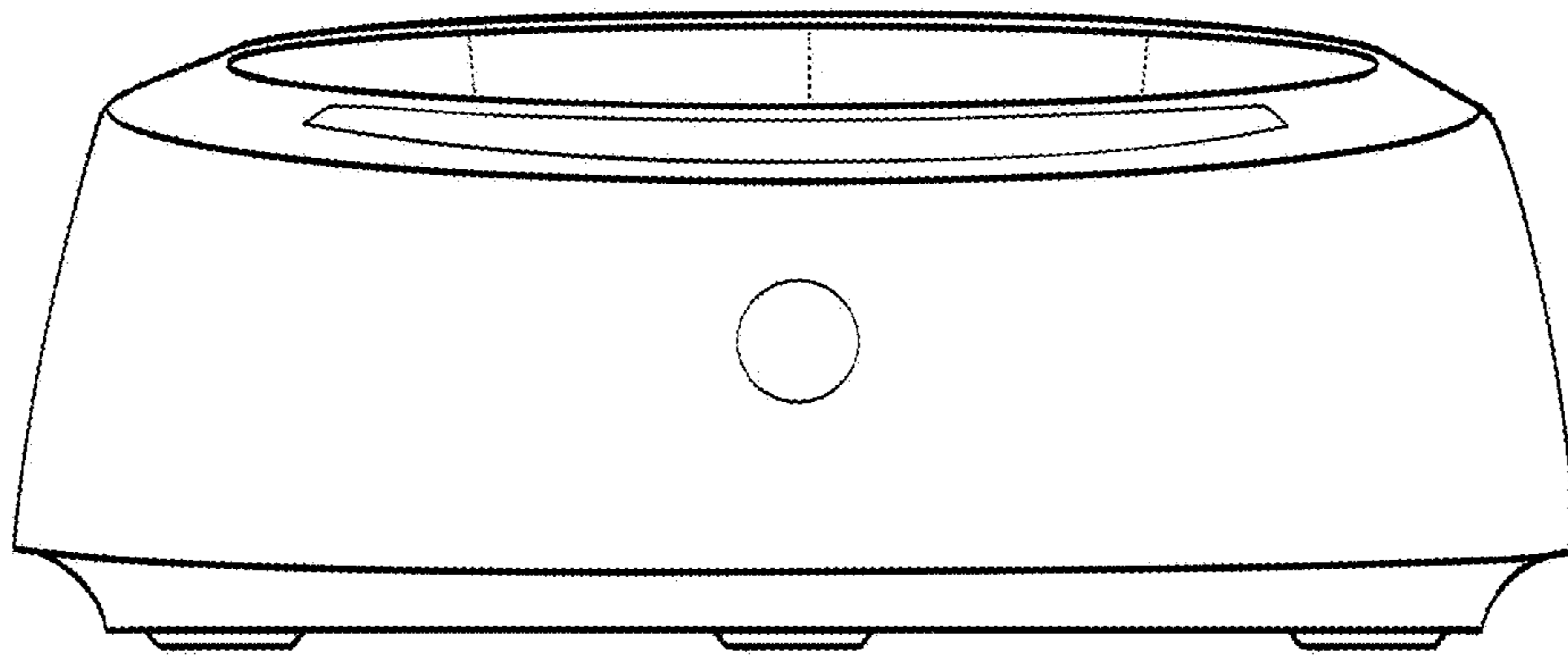


FIG. 2

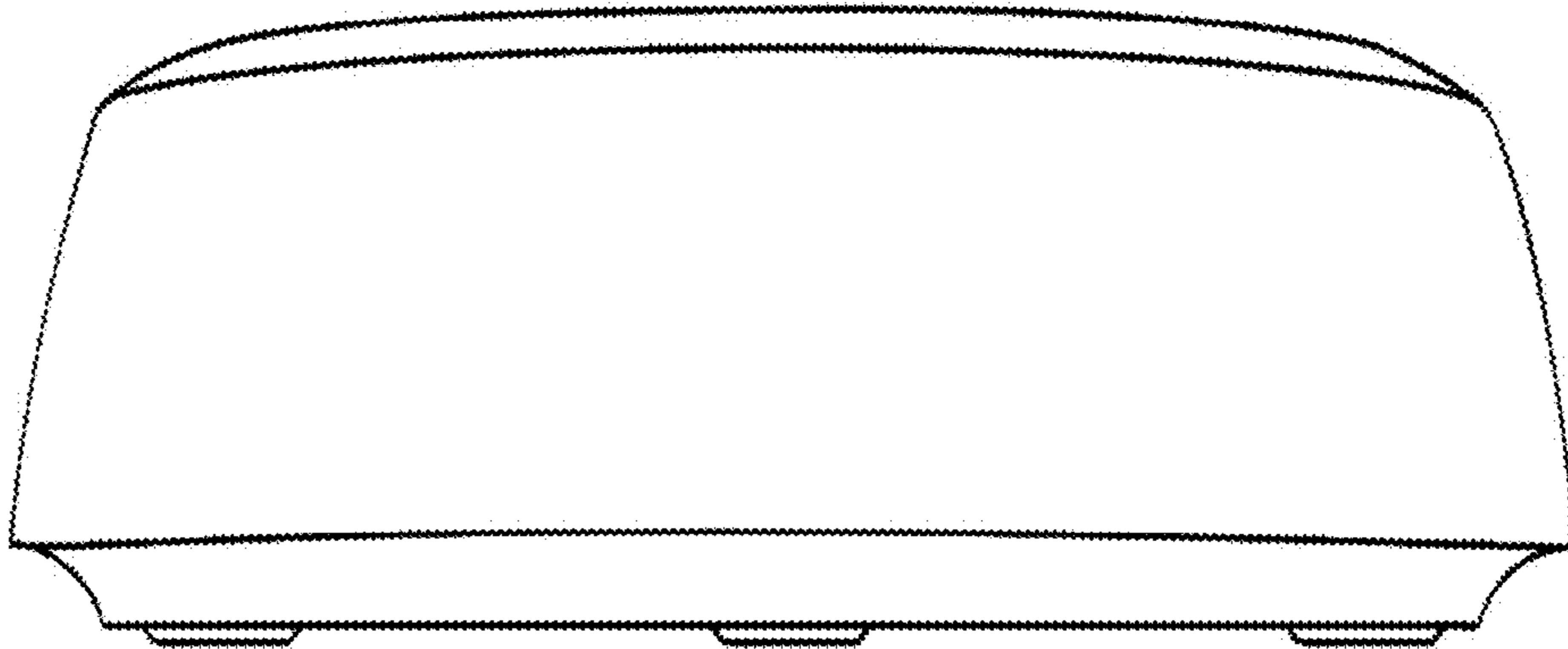


FIG. 3

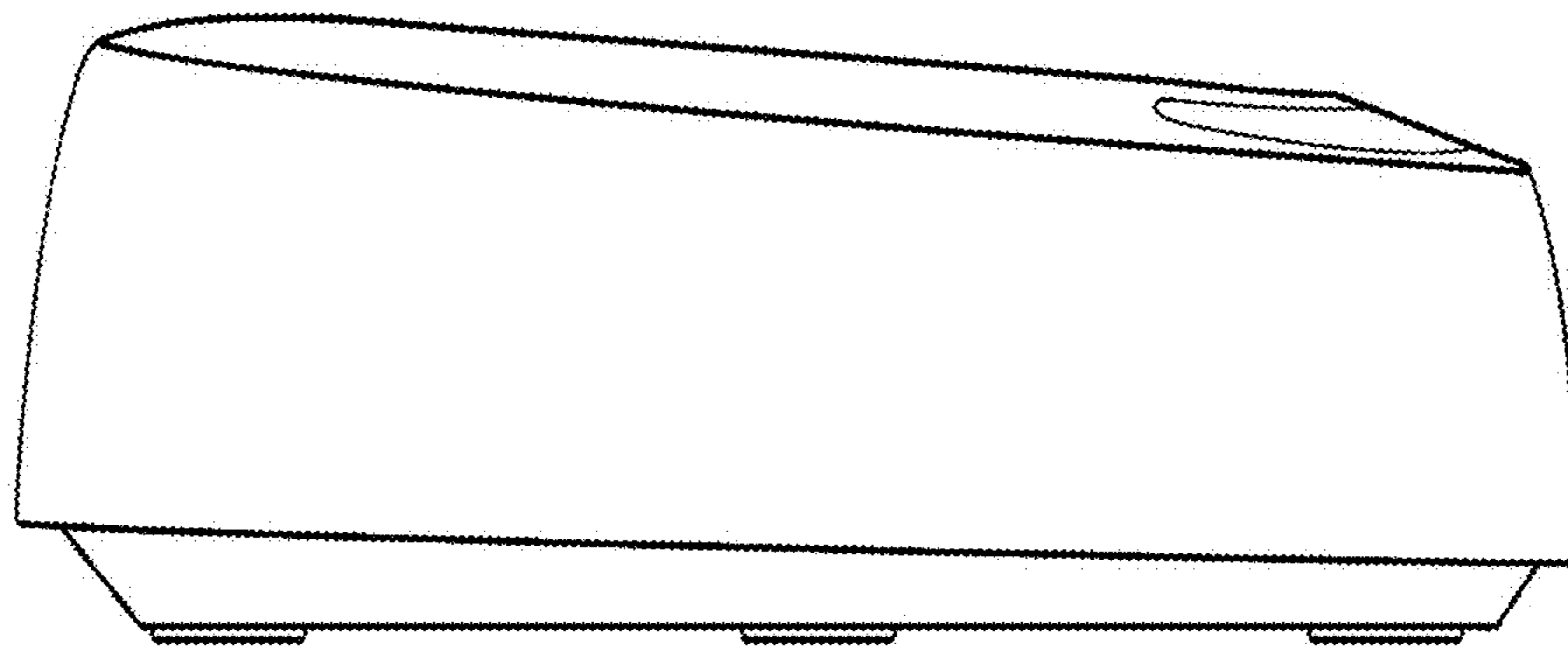


FIG. 4

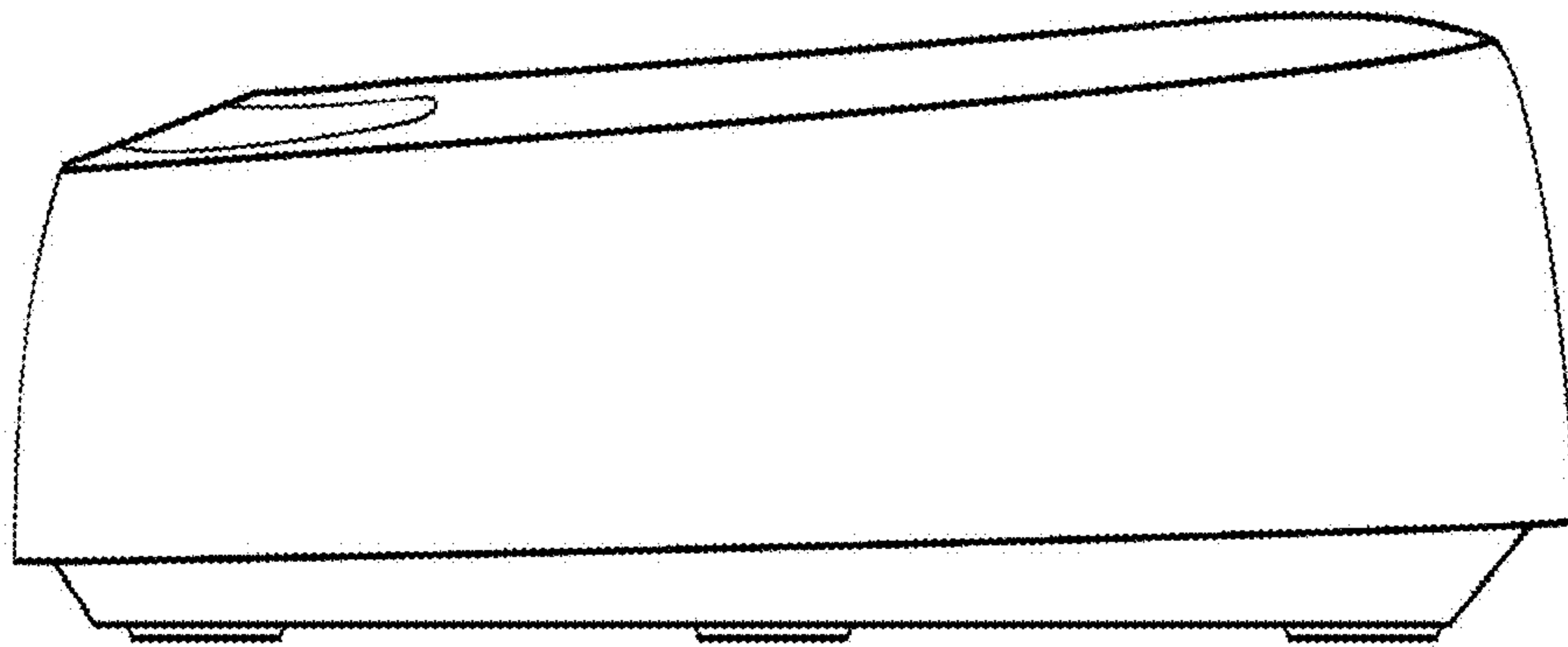


FIG. 5

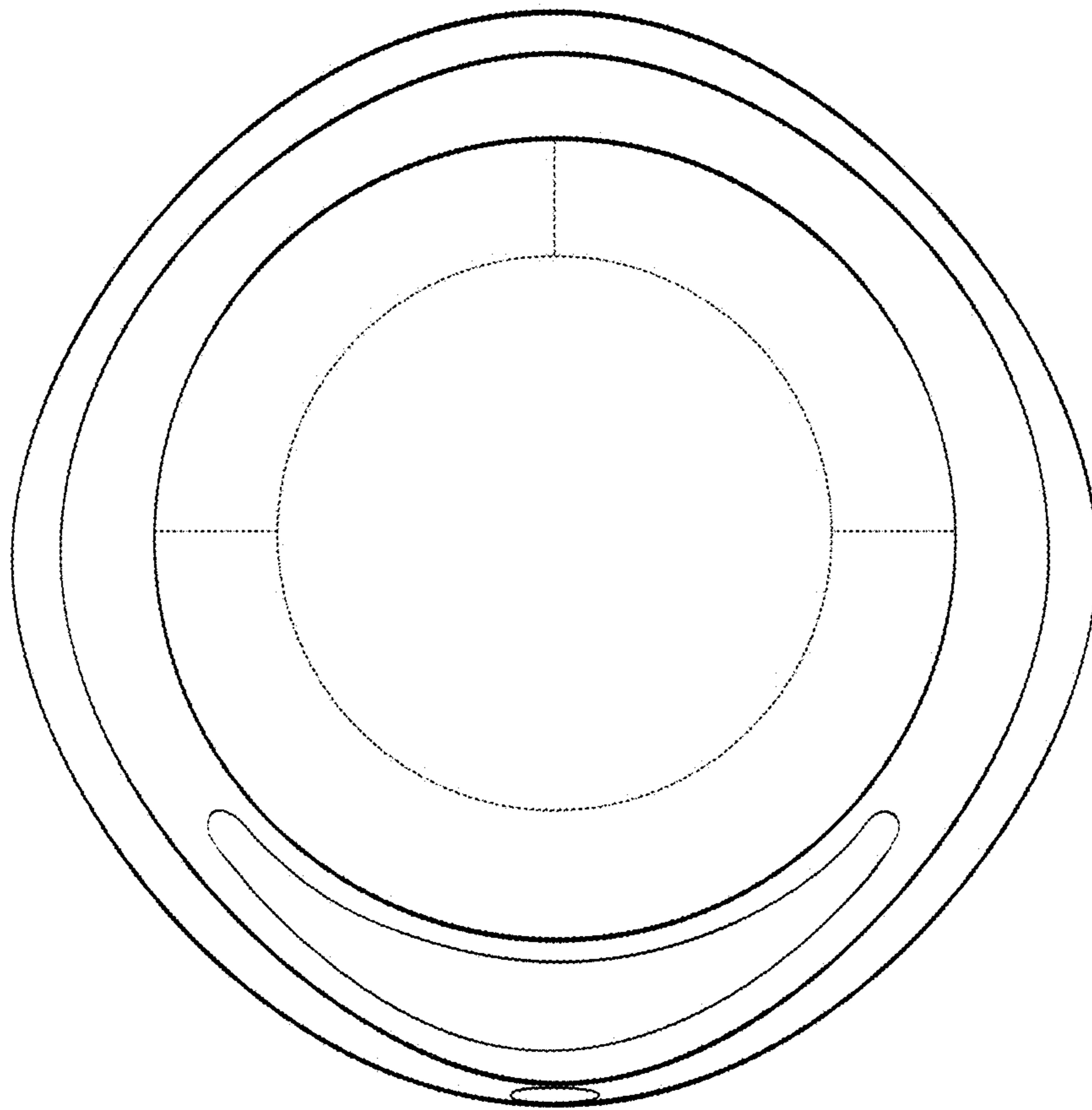


FIG. 6

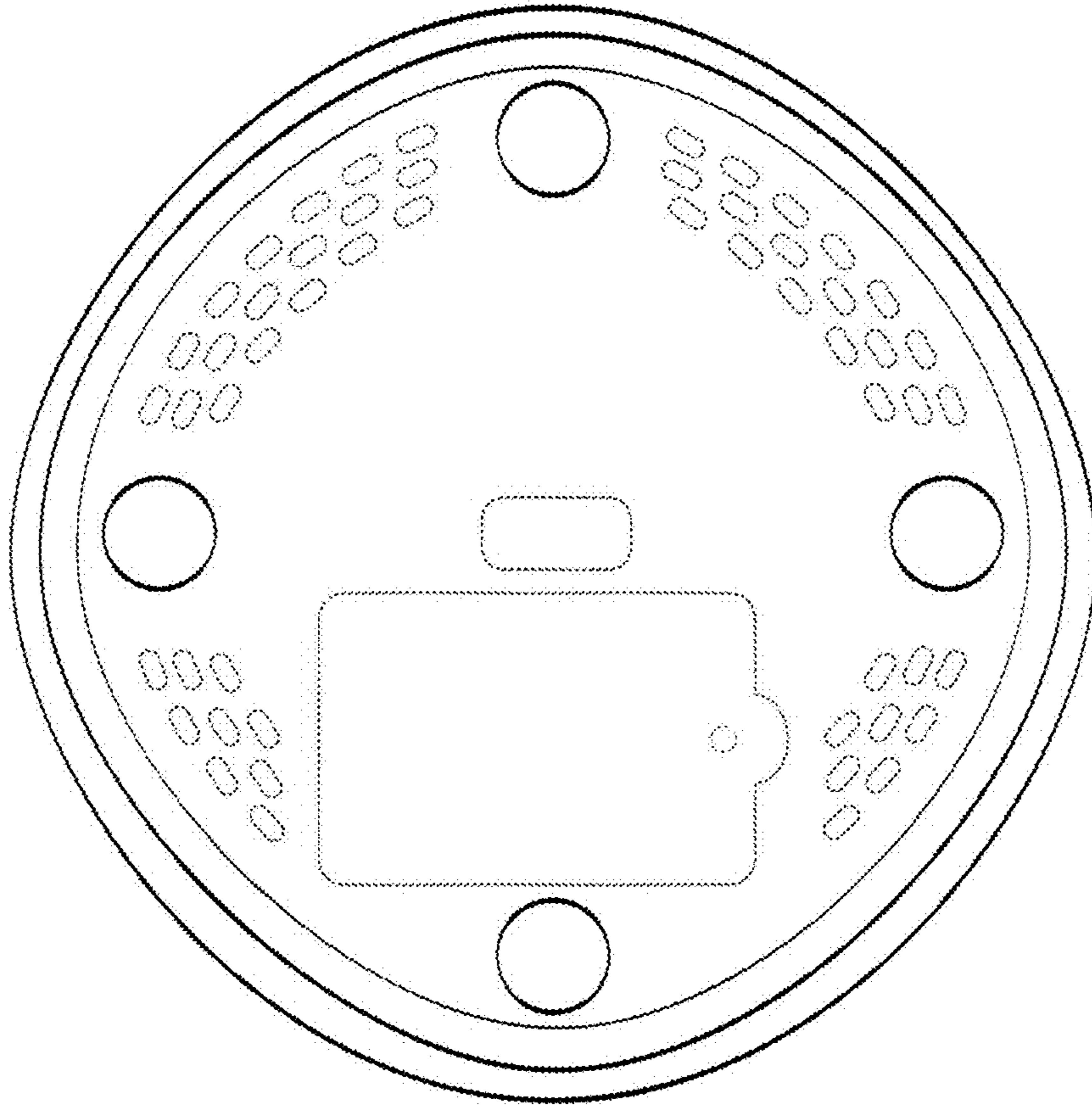


FIG. 7