



US00D833087S

(12) **United States Design Patent** (10) **Patent No.:** **US D833,087 S**
Nieves et al. (45) **Date of Patent:** **** Nov. 6, 2018**

- (54) **PET BOWL**
- (71) Applicant: **LVD Acquisition, LLC**, Columbus, OH (US)
- (72) Inventors: **Julian Nieves**, Columbus, OH (US);
Ari Horowitz, New York, NY (US);
John Bavaro, Bloomington, NJ (US)
- (73) Assignee: **LVD Acquisition, LLC**, Columbus, OH (US)
- (**) Term: **15 Years**
- (21) Appl. No.: **29/588,736**
- (22) Filed: **Dec. 22, 2016**
- (51) **LOC (11) Cl.** **30-03**
- (52) **U.S. Cl.**
USPC **D30/129**; D30/132
- (58) **Field of Classification Search**
USPC D30/123, 129-133, 121, 122; 119/69.5, 119/673, 57.8, 68, 74, 61.57, 78-81, 61.4, 119/57.9, 51.5, 61.5, 72, 475, 51.01, 119/61.56, 51.03, 59, 62, 63, 61.54, 119/61.55, 61; 47/66.6, 39, 67, 83; 239/280, 200, 281, 280.5, 273, 16-32, 239/211, 216, 288.5; 4/644, 627, 638; D7/558, 586, 543, 550.1, 587, 505, 584, D7/545, 500, 553.1-553.8, 546, 555, 556, D7/504, 565, 562, 602, 507, 549, 552.2, D7/560, 566, 548, 681; D11/144, 145, D11/153; D99/5, 24; 27/1; D23/201, D23/292, 204, 205, 214-216, 221, 222, D23/228, 229, 233, 200, 212, 213; 248/127, 132, 137, 138, 158, 910, 151, 248/188; 215/10; D6/353, 352, 484, D6/360, 480, 488; 219/521; 329/442, 329/459; 99/452, 483, 430, DIG. 15; 40/406, 407; 261/29, 106, 73; 137/560, 137/563, 801; 55/385.2; 417/527, 313; 431/292-294, 289; 362/101; D26/6, 9; D32/75; D8/1; 312/204; 108/156, 108/153.1-157; 220/23.87, 630, 737,

220/743, 9.4, 495.01, 574, 212, 255, 220/23.83, 575; 206/515; D9/429; 43/109; D22/122, 119
 CPC ... A01K 7/00; A01K 7/02; A01K 7/06; A01K 7/04; A01K 7/005; A01K 7/022; A01K 7/025; A01K 7/027; A01K 5/0216; A01K 5/01-5/0142; A01K 39/02; F04B 23/00;
 (Continued)

(56) **References Cited**

U.S. PATENT DOCUMENTS

766,427 A * 8/1904 Crowell A47G 19/02 220/575
 D200,626 S * 3/1965 Barnes D30/129
 (Continued)

Primary Examiner — Susan Moon Lee
 (74) *Attorney, Agent, or Firm* — Standley Law Group LLP

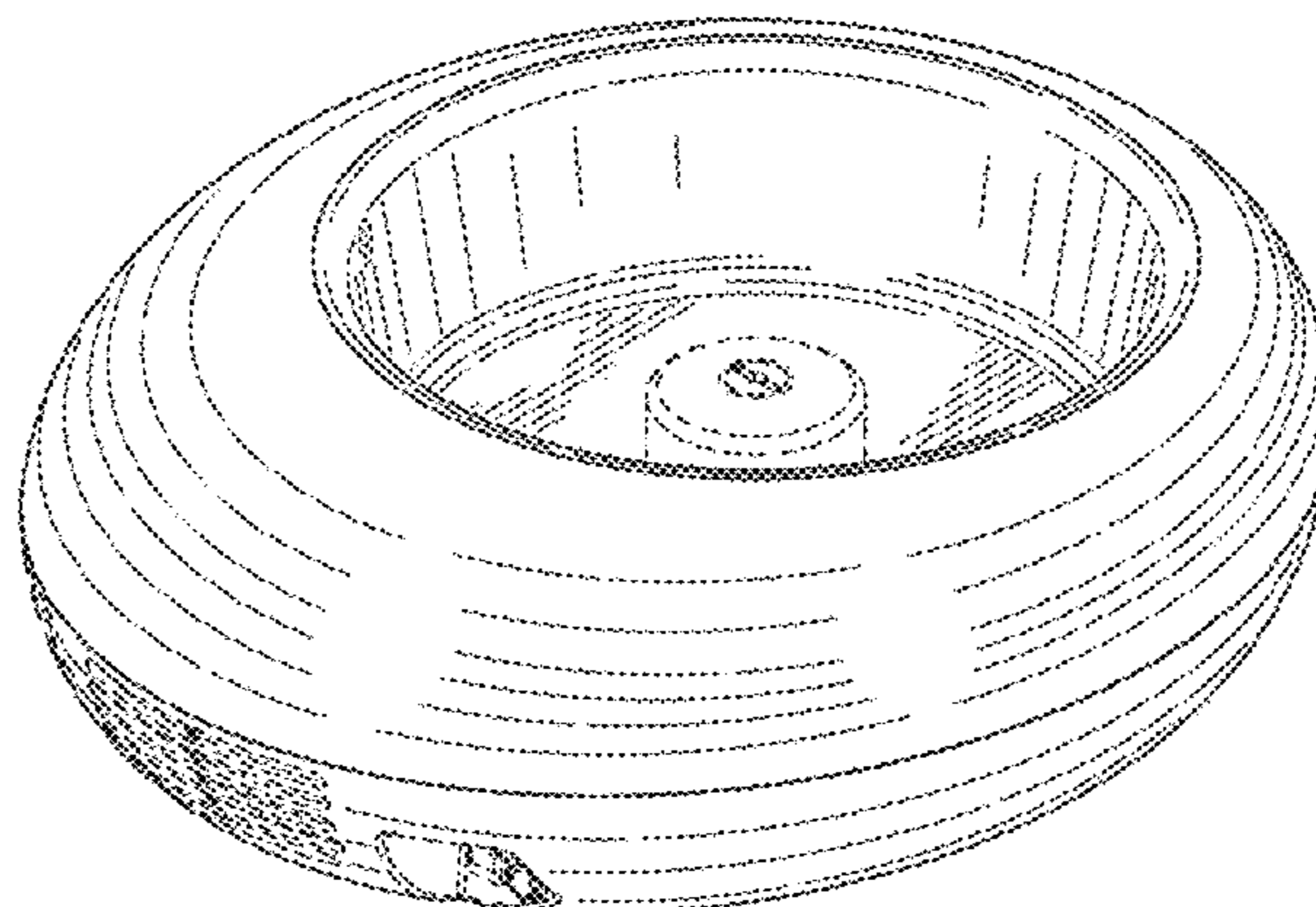
(57) **CLAIM**

The ornamental design for a pet bowl, as shown and described above.

DESCRIPTION

FIG. 1 is a first top perspective view of an exemplary pet bowl of the present invention;
 FIG. 2 is a second top perspective view of the FIG. 1 embodiment;
 FIG. 3 is a bottom perspective view of the exemplary bowl of FIG. 1;
 FIG. 4 is a front view of the FIG. 1 embodiment;
 FIG. 5 is a back view of the FIG. 1 embodiment;
 FIG. 6 is a top plan view of the FIG. 1 embodiment;
 FIG. 7 is a bottom plan view of the FIG. 1 embodiment;
 FIG. 8 is left side view of the FIG. 1 embodiment; and,
 FIG. 9 is a right side view of the FIG. 1 embodiment.
 The broken lines are for illustration only and form no part of the claimed design.

1 Claim, 7 Drawing Sheets



(58) **Field of Classification Search**

CPC F04B 23/02; F04B 23/021; F04B 23/026;
B05B 17/08; B05B 17/085; B01D 35/30;
Y10T 137/86035; Y10T 137/8376; Y10T
137/85954-137/85978

See application file for complete search history.

(56) **References Cited**

U.S. PATENT DOCUMENTS

D752,826 S *	3/2016	Gibbons	D30/132
2008/0264434 A1 *	10/2008	Zeanah	A24F 19/02
			131/328
2010/0101499 A1 *	4/2010	Gibson	A01K 7/005
			119/61.5
2013/0019809 A1 *	1/2013	McCallum	A01K 7/00
			119/75

* cited by examiner

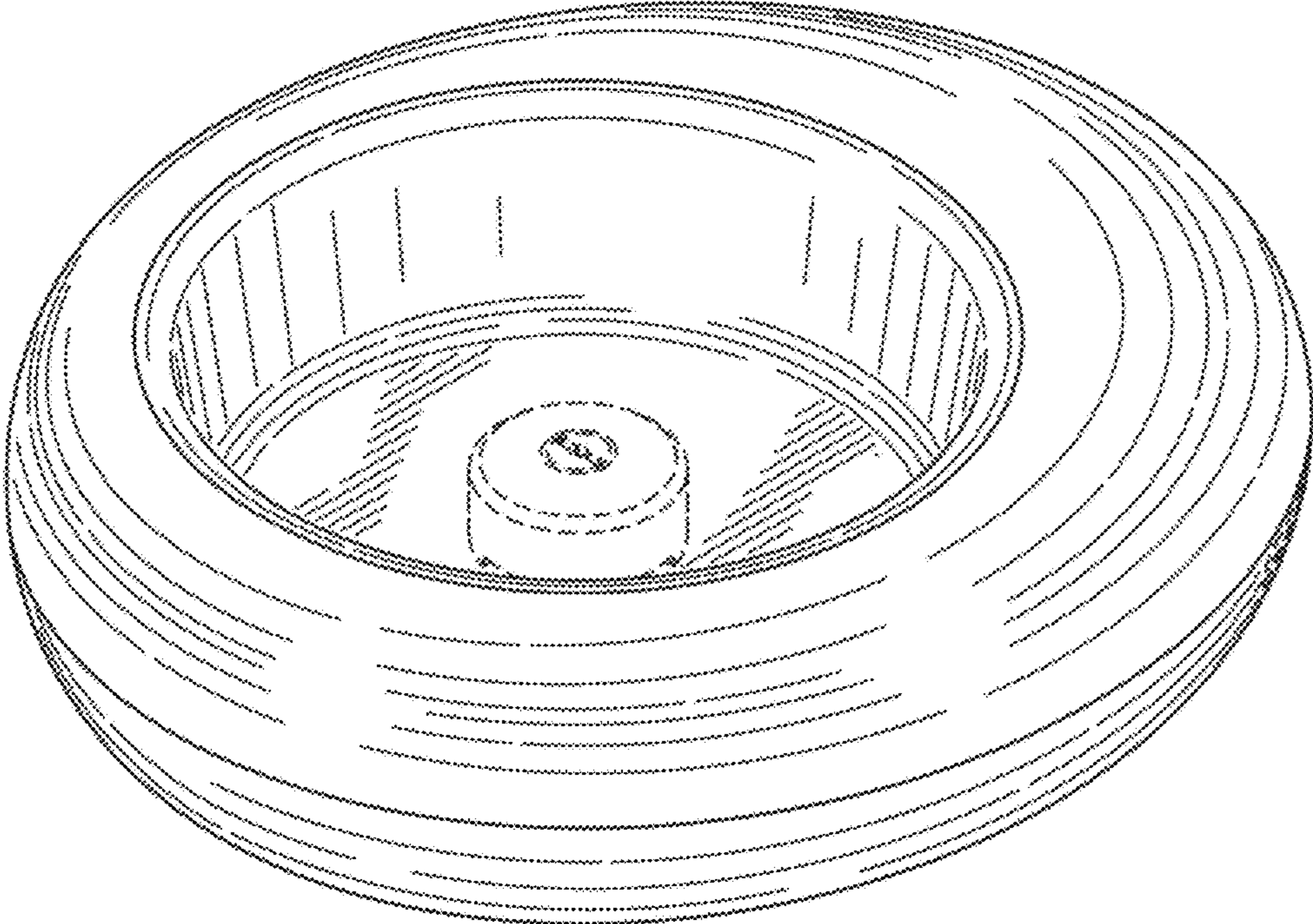


FIG. 1

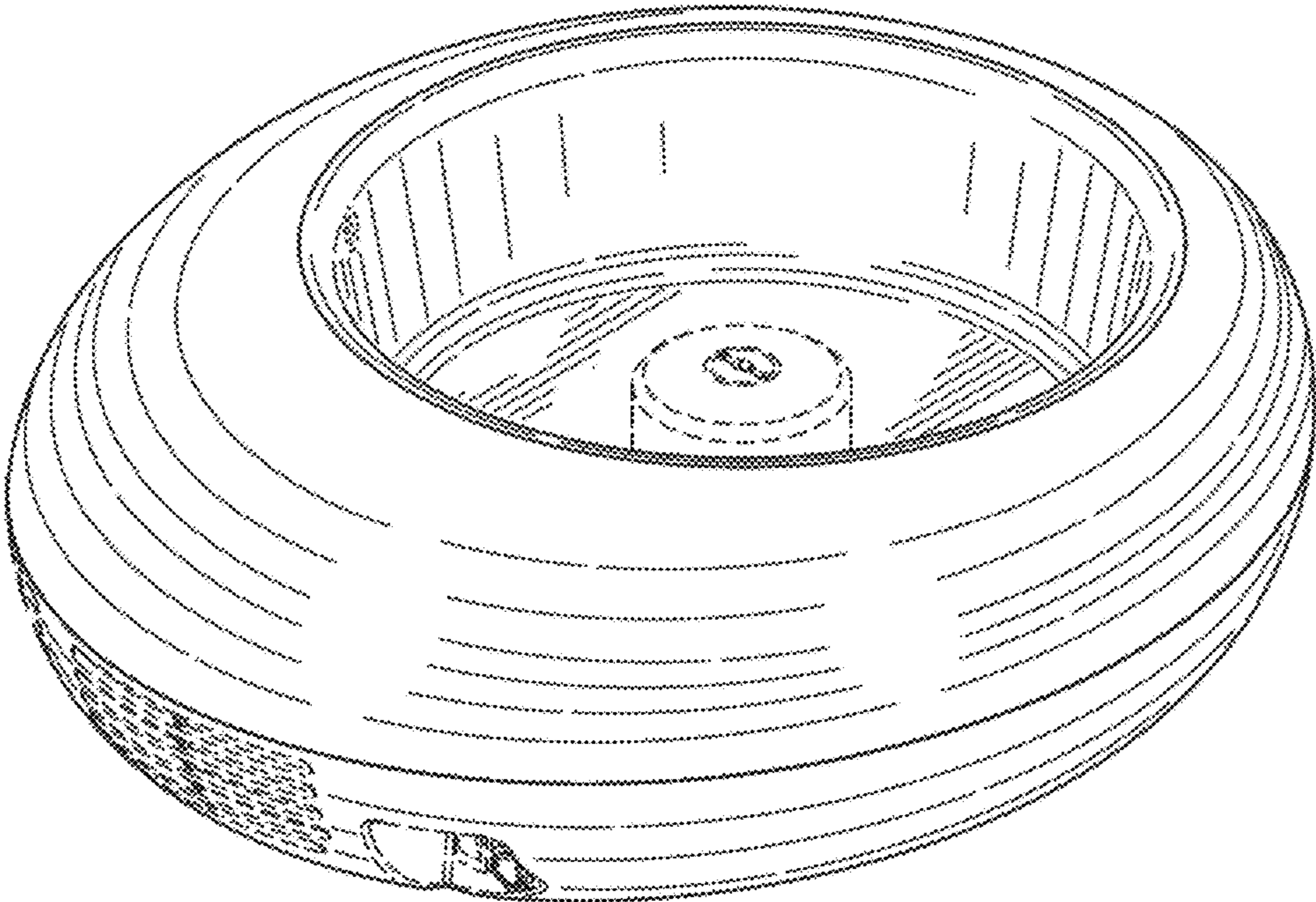


FIG. 2

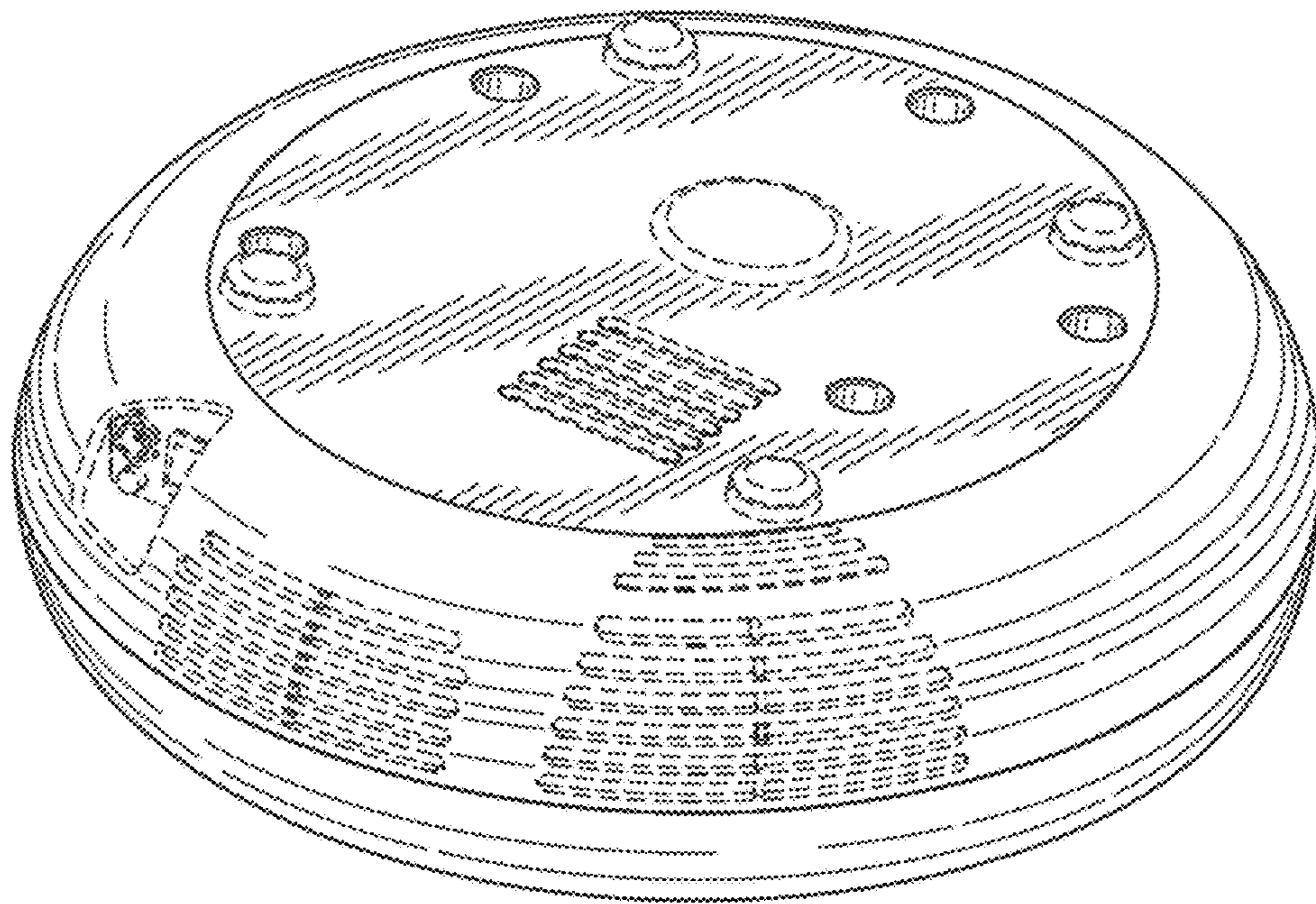


FIG. 3

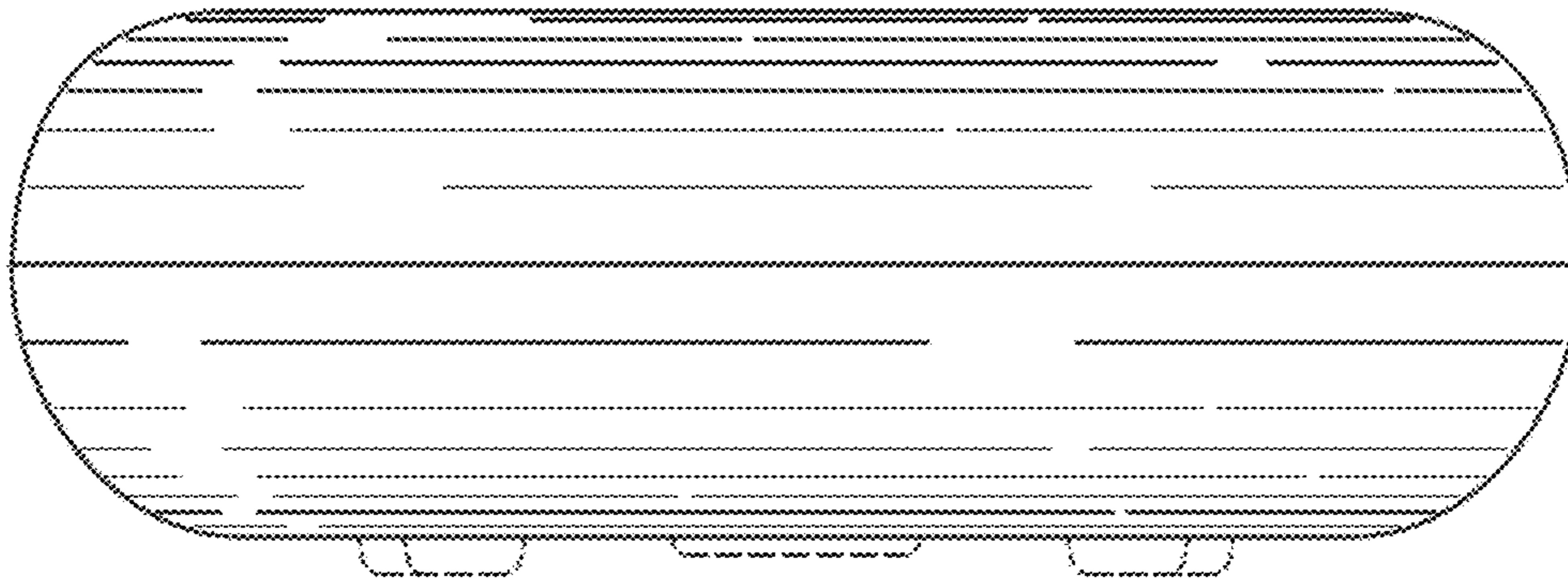


FIG. 4

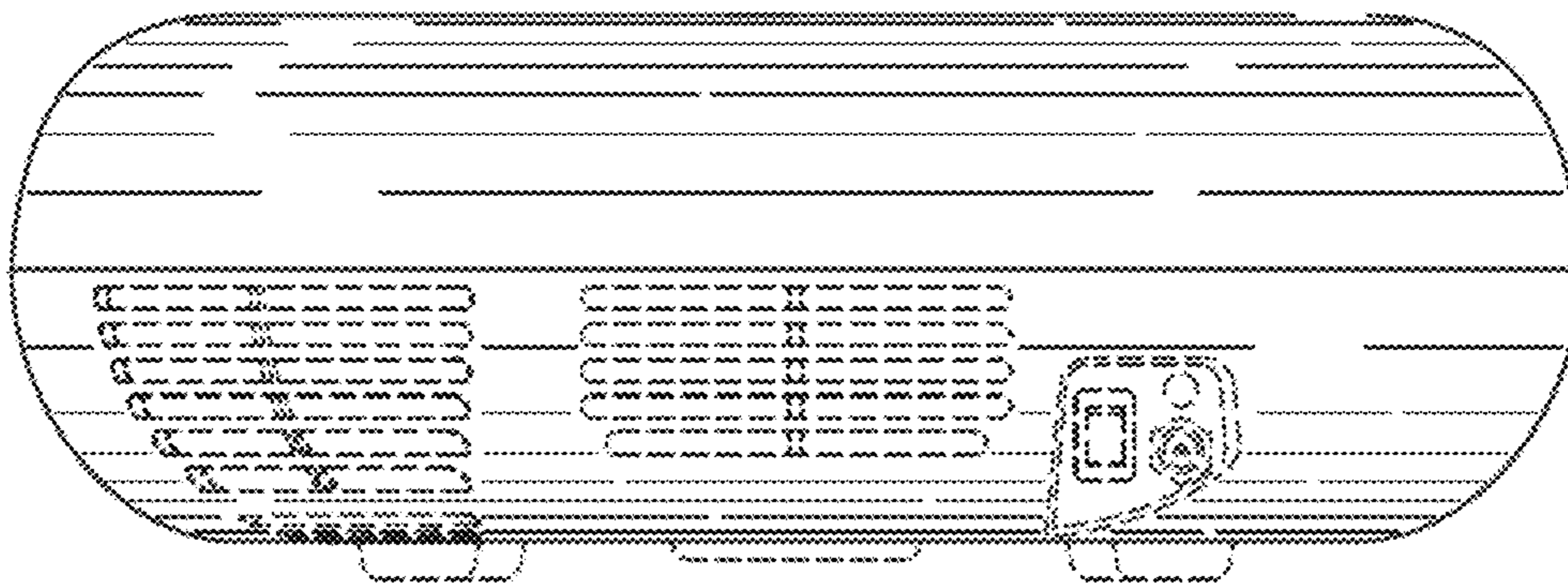


FIG. 5

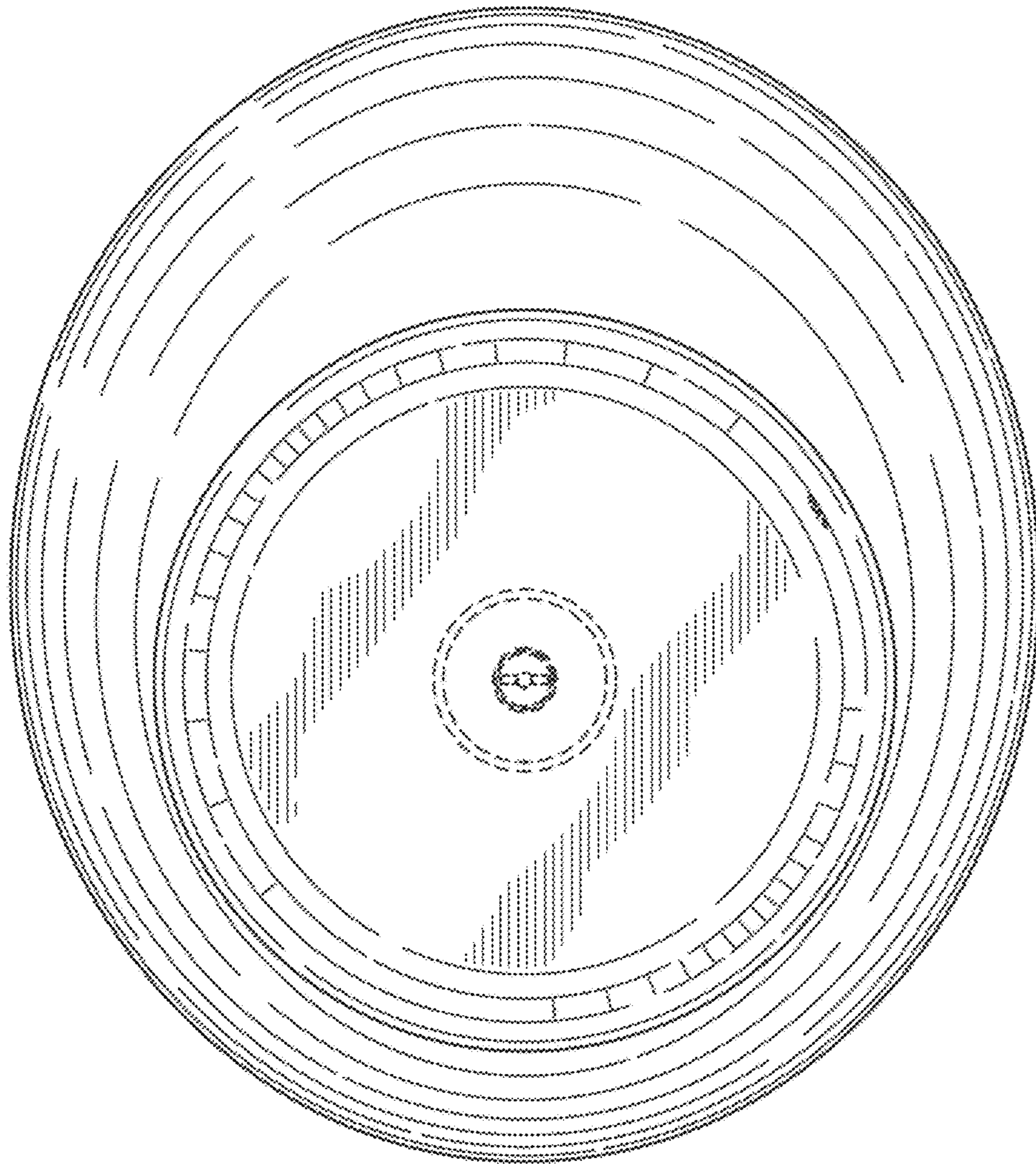


FIG. 6

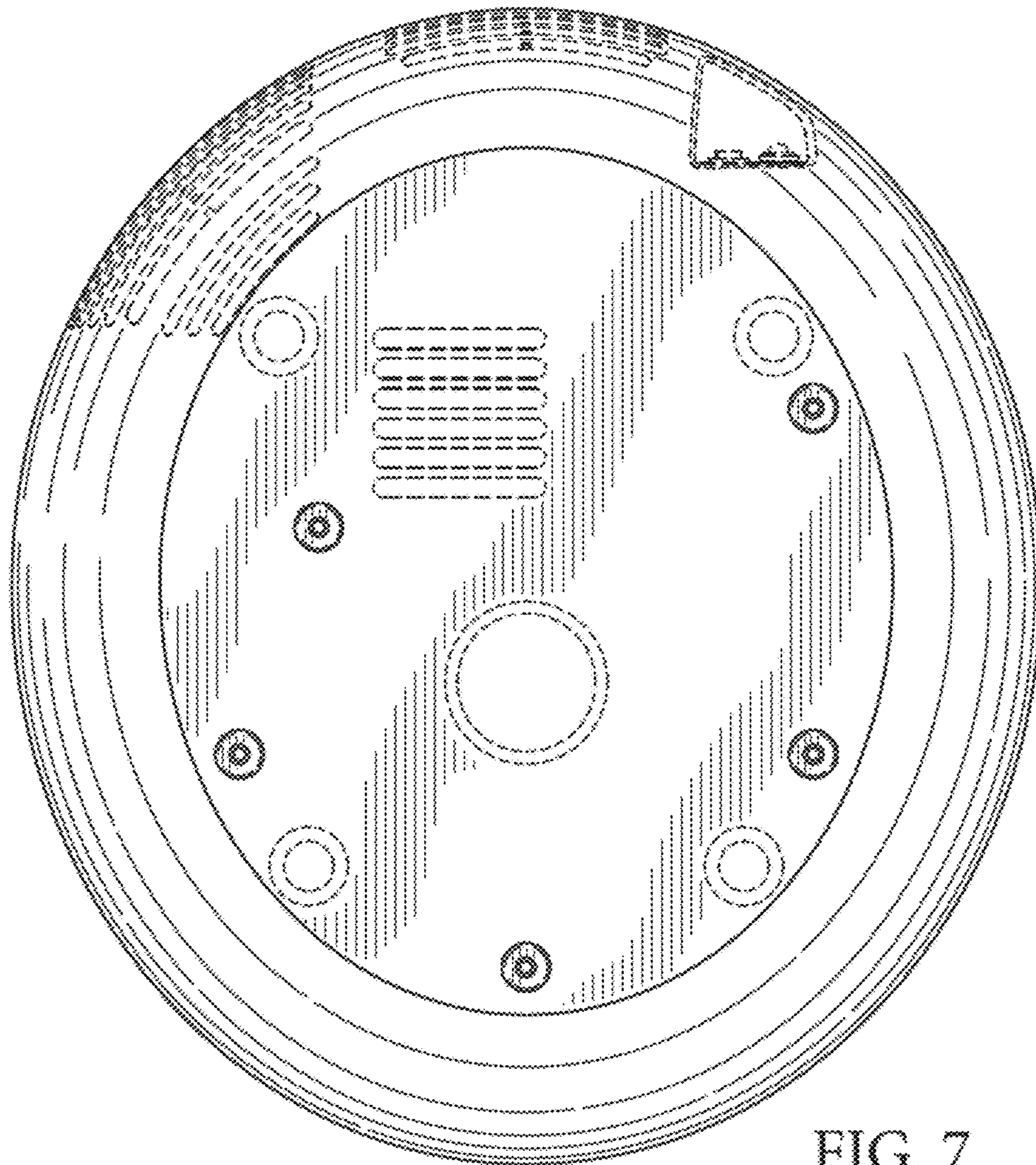


FIG. 7

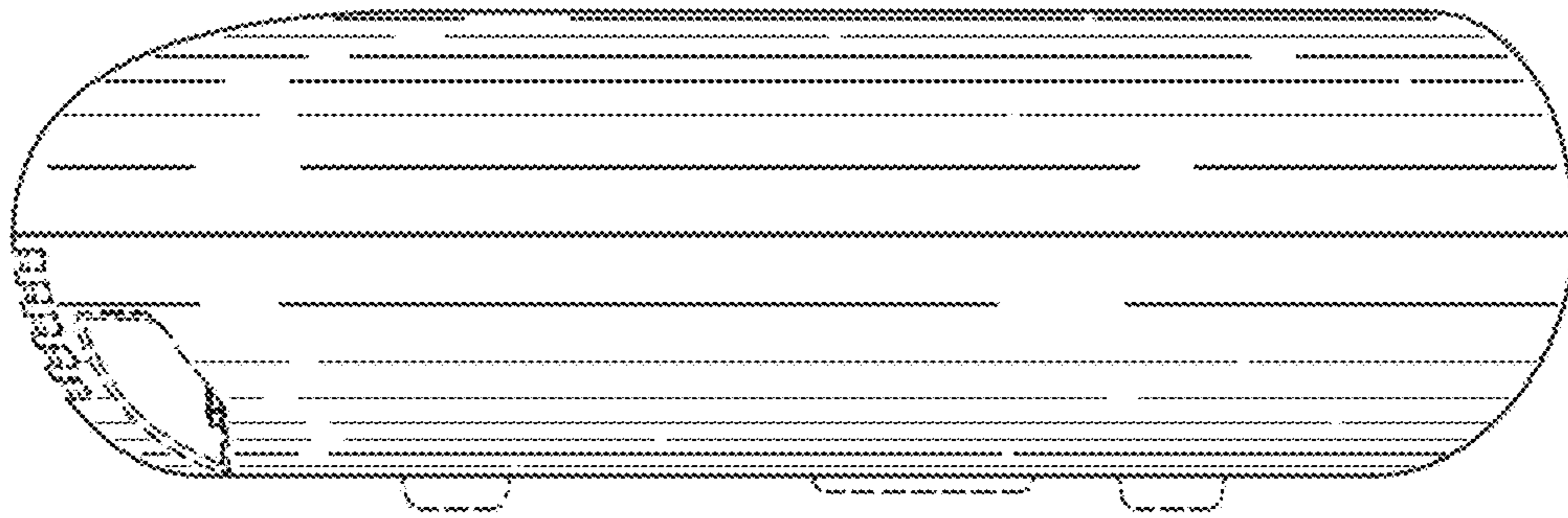


FIG. 8

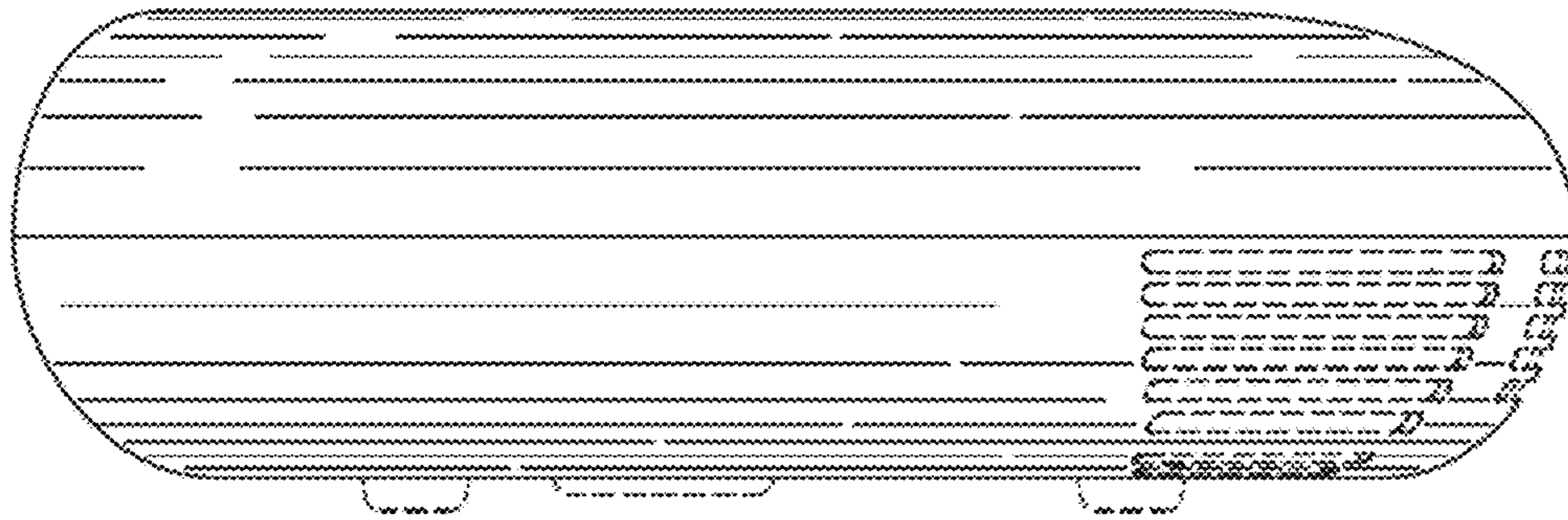


FIG. 9