



US00D833082S

(12) **United States Design Patent** (10) **Patent No.:** **US D833,082 S**  
**Kusnier** (45) **Date of Patent:** **\*\* Nov. 6, 2018**

- (54) **SAFETY COVERALL WITH LUMINOUS SILHOUETTE**
- (71) Applicant: **Mark A. Kusnier**, Walnut, CA (US)
- (72) Inventor: **Mark A. Kusnier**, Walnut, CA (US)
- (73) Assignee: **SILHO-LIGHT CORPORATION**, Walnut, CA (US)
- (\*\*) Term: **15 Years**
- (21) Appl. No.: **29/628,352**
- (22) Filed: **Dec. 4, 2017**
- (51) **LOC (11) Cl.** ..... **29-02**
- (52) **U.S. Cl.**  
USPC ..... **D29/101.1**
- (58) **Field of Classification Search**  
USPC ..... D29/100, 101.1, 101.3, 101.4; 2/46, 79;  
D2/999, 829, 743  
CPC . A41D 1/00; A41D 1/02; A41D 13/01; A41D  
13/02; A41D 27/085  
See application file for complete search history.

- (56) **References Cited**  
U.S. PATENT DOCUMENTS  
D118,109 S \* 12/1939 Callahan ..... D2/836  
D280,860 S \* 10/1985 Monferrato ..... D2/829  
D379,110 S \* 5/1997 Neustater ..... D2/742  
D474,874 S \* 5/2003 Taylor ..... D2/743  
D553,297 S \* 10/2007 Sumpter ..... D29/100

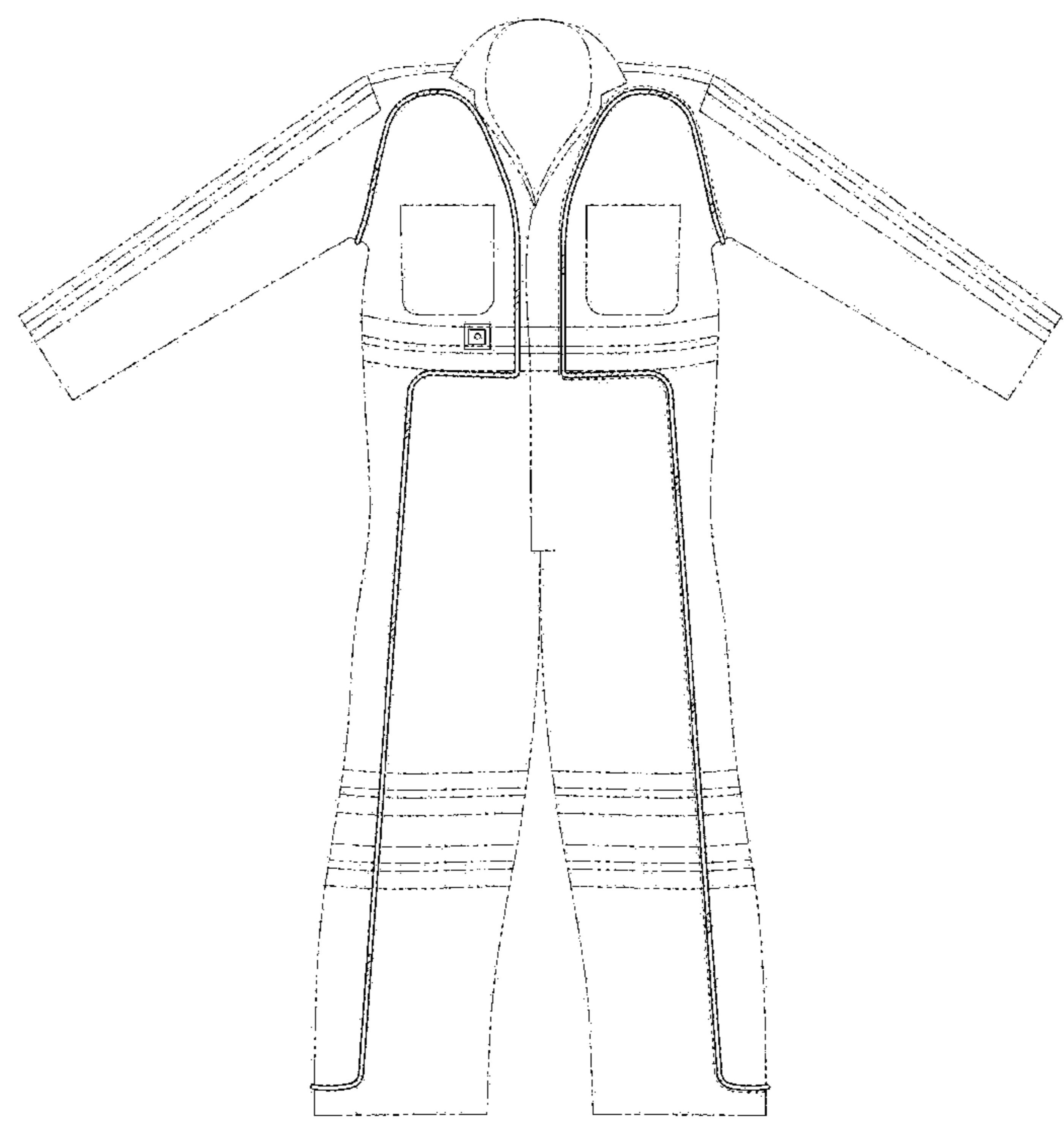
- D676,628 S \* 2/2013 Rogers ..... D2/743
- D679,072 S \* 4/2013 Abbevik ..... D2/828
- D714,023 S \* 9/2014 Adams ..... D2/829
- D739,996 S \* 10/2015 Greene ..... D2/829
- D747,039 S \* 1/2016 Espino ..... D29/100
- D787,131 S \* 5/2017 Beland ..... D29/100
- 2012/0039069 A1\* 2/2012 Schrimmer ..... A41D 27/085  
362/103
- 2018/0213855 A1\* 8/2018 Beyeler ..... A41D 27/28
- \* cited by examiner

*Primary Examiner* — Robin V Webster  
*Assistant Examiner* — J. Thorn, Sr.

(57) **CLAIM**  
The ornamental design for a safety coverall with luminous silhouette, as shown and described.

**DESCRIPTION**  
FIG. 1 is a top view of a safety coverall with luminous silhouette, it being understood that only the luminous silhouette of the safety coverall with luminous silhouette is being claimed, according to the present invention;  
FIG. 2 is a front view of FIG. 1;  
FIG. 3 is a rear view of FIG. 1;  
FIG. 4 is a bottom view of FIG. 1;  
FIG. 5 is a first side view of FIG. 1; and,  
FIG. 6 is a second side view of FIG. 1.  
The dashed broken lines illustrate environmental structure and form no part of the claimed design.

**1 Claim, 3 Drawing Sheets**



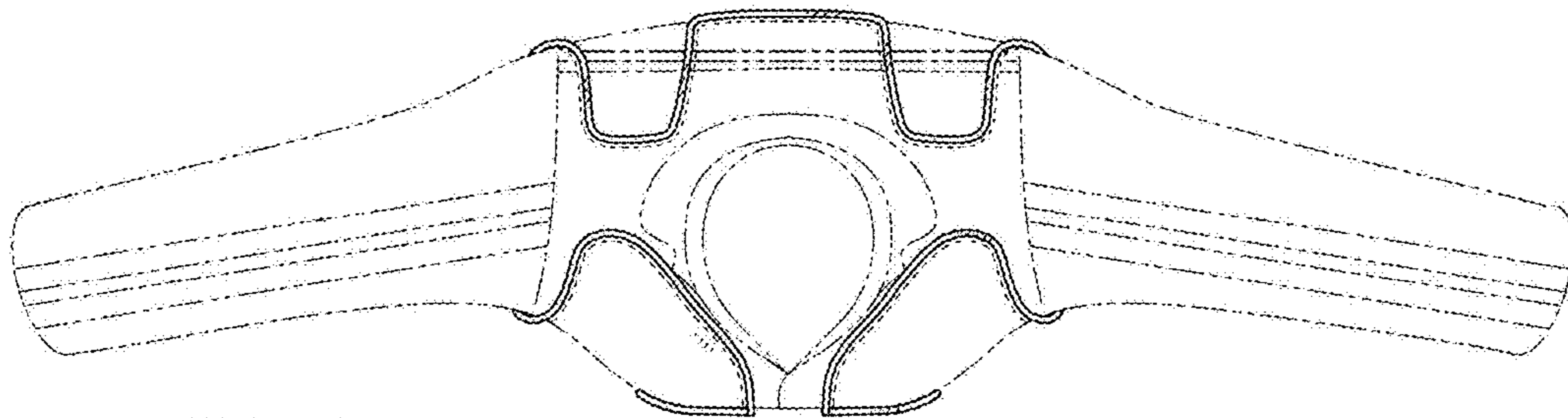


FIG. 1

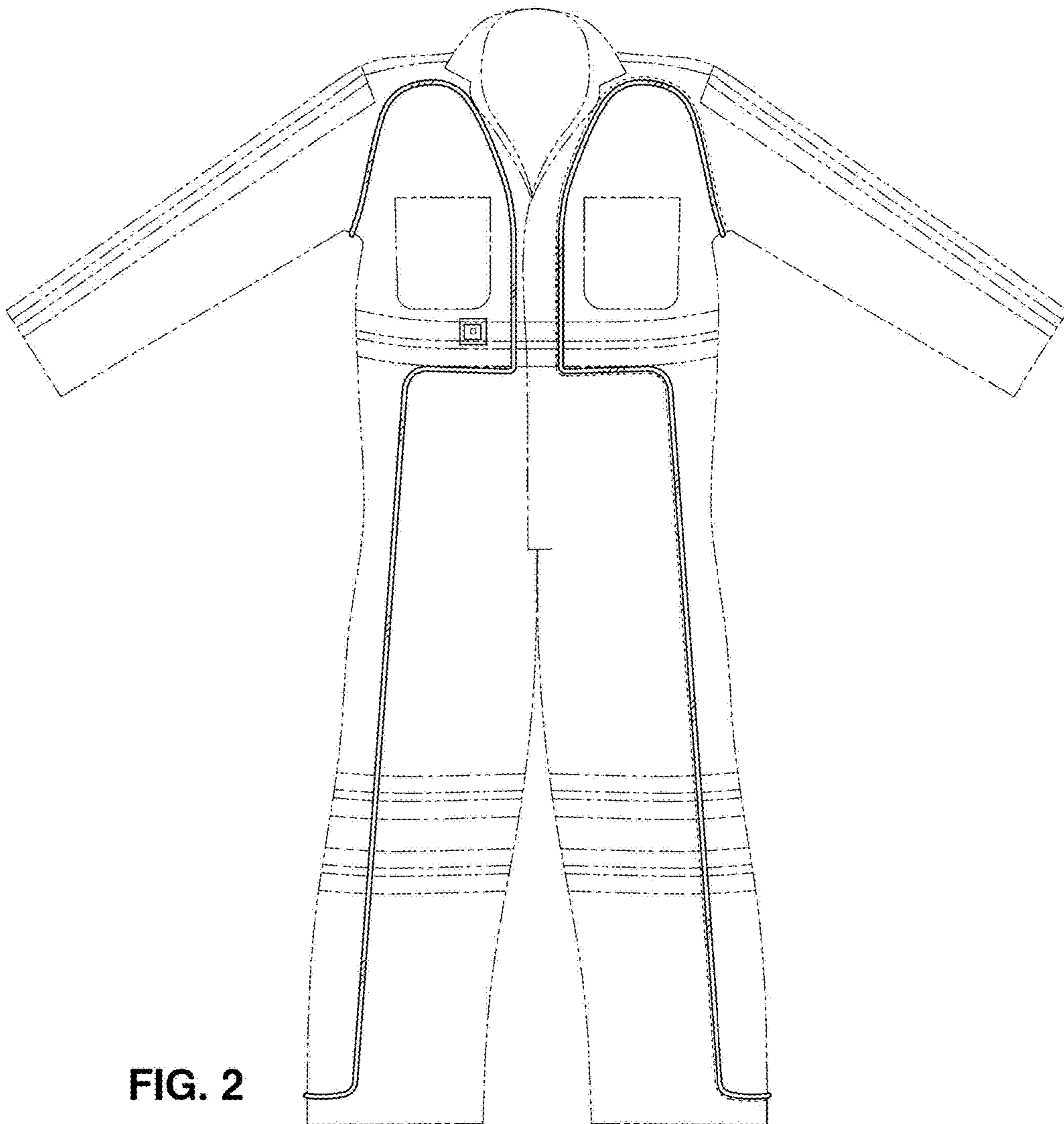
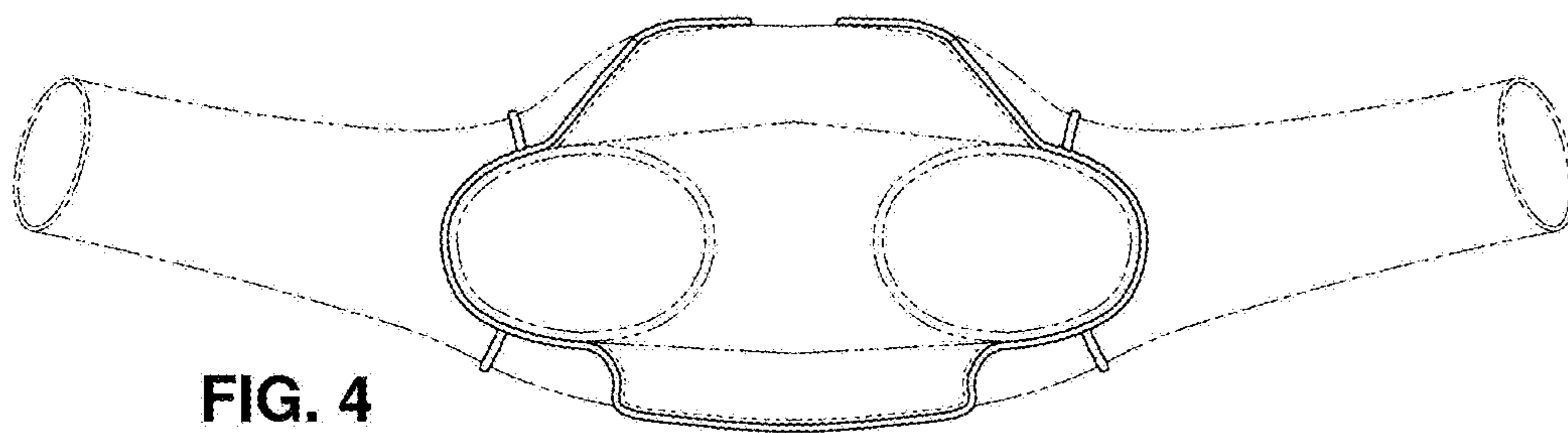
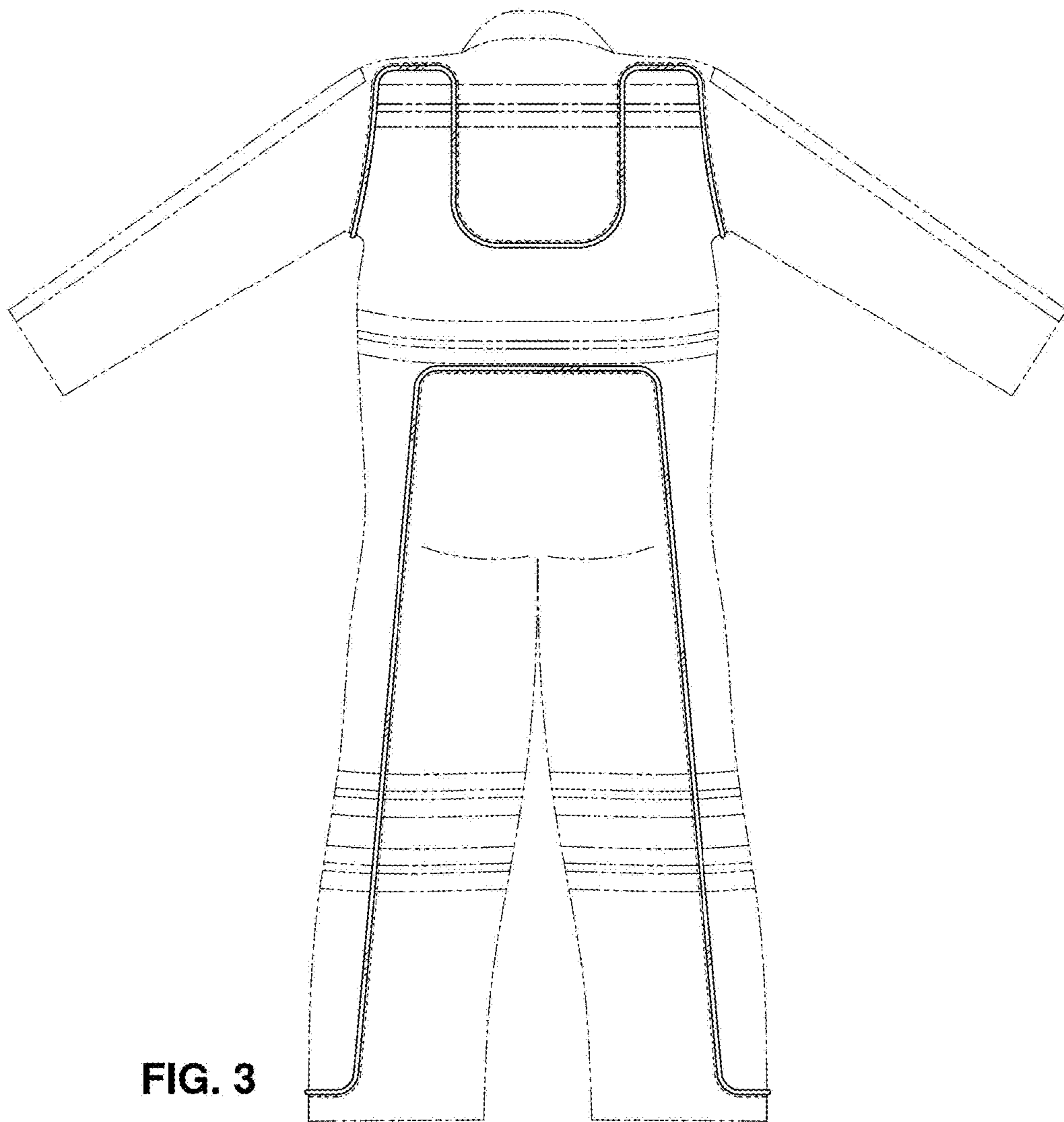


FIG. 2



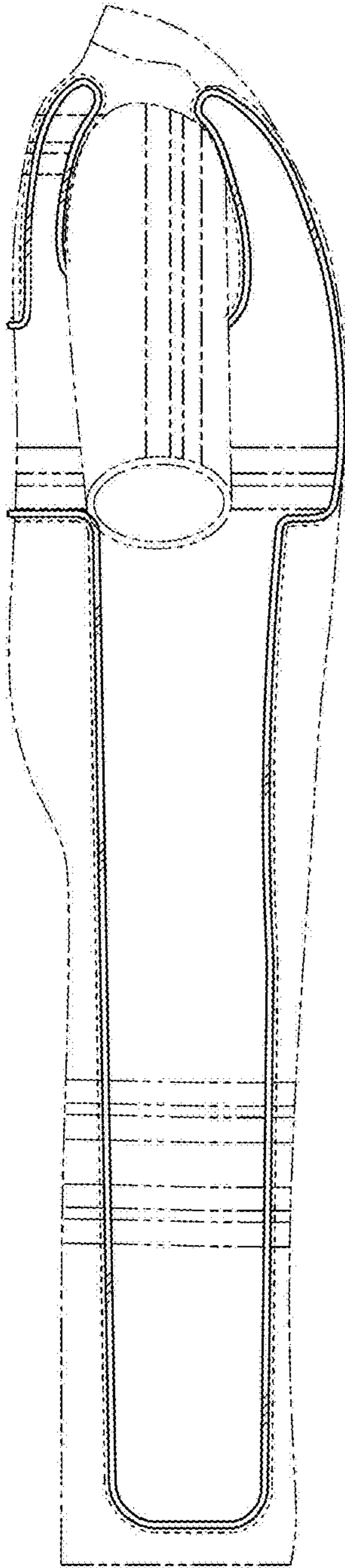


FIG. 5

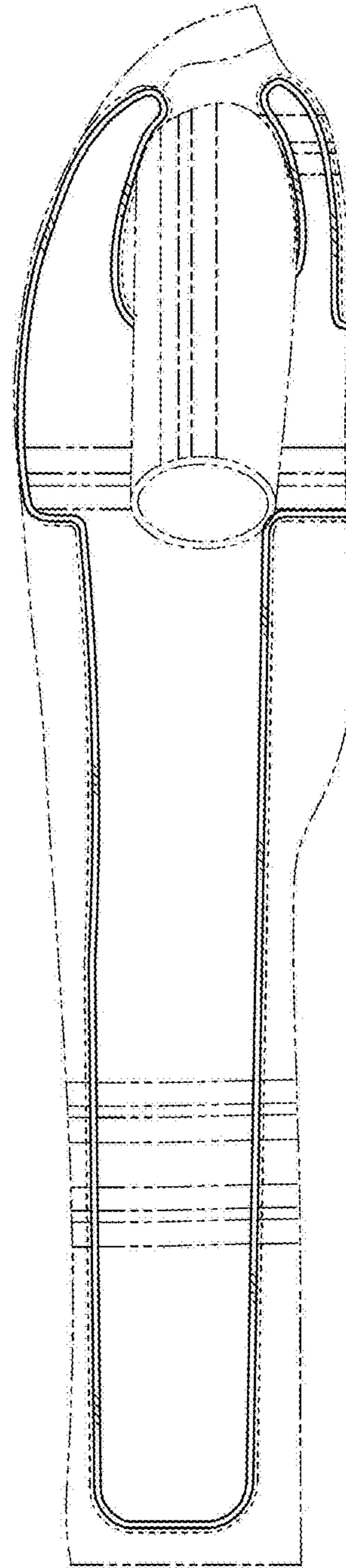


FIG. 6