



US00D833079S

(12) **United States Design Patent**
Fang et al.

(10) **Patent No.:** **US D833,079 S**
(45) **Date of Patent:** **** Nov. 6, 2018**

- (54) **MIST SPRAY**
- (71) Applicant: **SHENZHEN COSBEAUTY CO., LTD.**, Nanshan, Shenzhen (CN)
- (72) Inventors: **Ziran Fang**, Shenzhen (CN); **Wanfu Huang**, Shenzhen (CN)
- (73) Assignee: **SHENZHEN COSBEAUTY CO., LTD.**, Shenzhen (CN)

7,455,191 B2 * 11/2008 Bhavnani A47J 41/0016
220/254.9
D584,960 S * 1/2009 Sherwood D9/686
D656,648 S * 3/2012 Tompkin D26/46
D673,264 S * 12/2012 Kunze D24/113
D677,047 S * 3/2013 Watson D3/203.5
D679,321 S * 4/2013 Walton D19/119
D728,217 S * 5/2015 Click D3/203.5
D737,250 S * 8/2015 Ingham D14/218
D764,309 S * 8/2016 Yakos D9/682
D791,479 S * 7/2017 Son D3/298

(Continued)

(**) Term: **15 Years**

FOREIGN PATENT DOCUMENTS

- (21) Appl. No.: **29/570,191**
- (22) Filed: **Jul. 6, 2016**
- (51) **LOC (11) Cl.** **28-03**
- (52) **U.S. Cl.**
USPC **D28/91.1; D9/686; D9/529**
- (58) **Field of Classification Search**
USPC D24/107, 108, 110.1, 164, 110, 110.5,
D24/111, 113; D27/162–165, 167,
D27/169–170; D9/686, 529, 574, 769;
D28/85, 87, 91.1
CPC B05B 11/00; B05B 12/00; B05B 11/3067;
B65D 1/00; B65D 83/20; A61Q 19/00
See application file for complete search history.

CN 303624168 * 3/2016

Primary Examiner — Karen E Kearney

Assistant Examiner — Lilyana Bekic

(74) *Attorney, Agent, or Firm* — Johnson | Dalal; Mark C. Johnson

(56) **References Cited**

U.S. PATENT DOCUMENTS

2,410,161 A * 10/1946 Helbein A45C 11/12
206/565
D191,650 S * 10/1961 Kruck D28/85
D335,364 S * 5/1993 Yang D28/85
D382,369 S * 8/1997 Yang D28/85
D450,889 S * 11/2001 Chang D28/76
D467,039 S * 12/2002 Fuller D28/77
D468,059 S * 12/2002 Fuller D28/77
D488,506 S * 4/2004 Mandel D19/135
D497,038 S * 10/2004 Tsai D28/85
D577,590 S * 9/2008 Ulicny D9/529

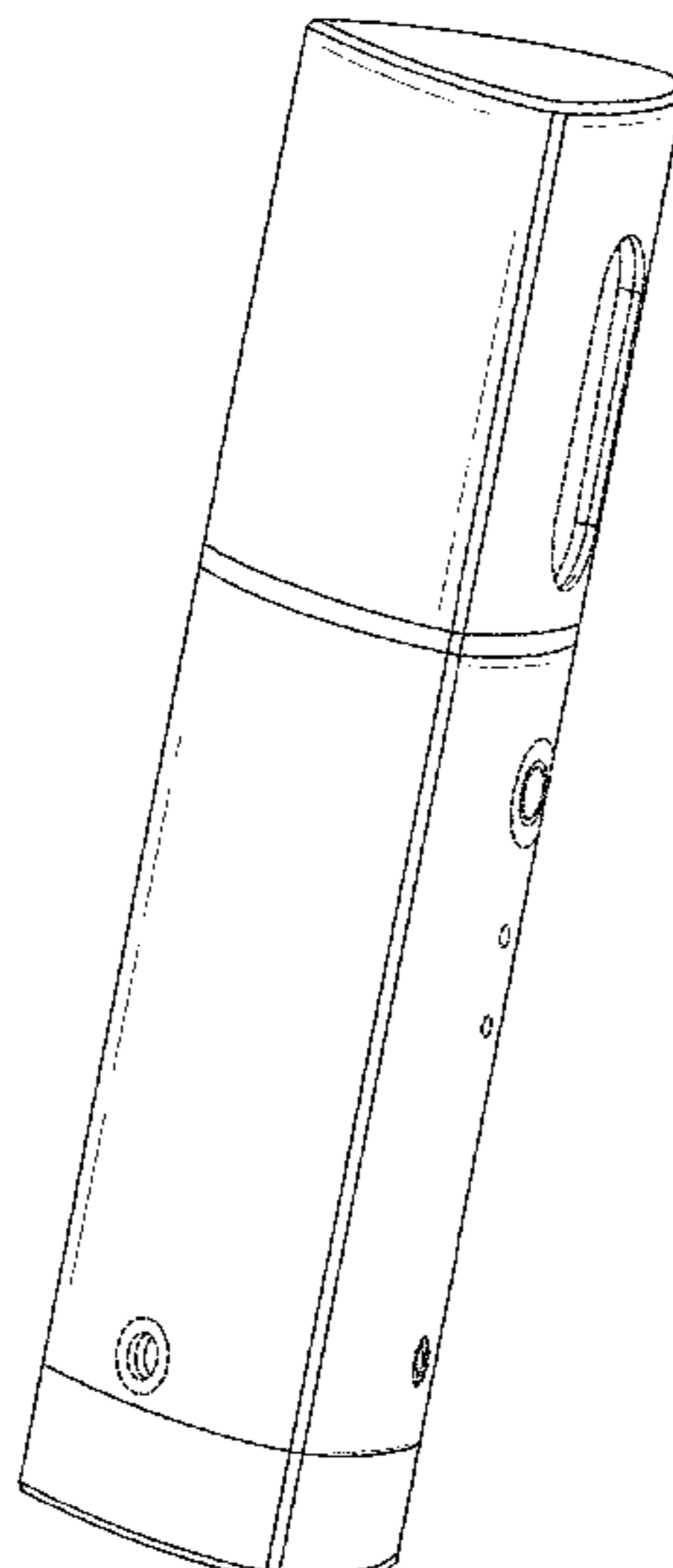
(57) **CLAIM**

The ornamental design for a mist spray, as shown and described.

DESCRIPTION

FIG. 1 is a perspective view of a mist spray in accordance with the present invention;
FIG. 2 is an elevational front view of the mist spray of FIG. 1;
FIG. 3 is an elevational rear view of the mist spray of FIG. 1;
FIG. 4 is an elevational left view of the mist spray of FIG. 1;
FIG. 5 is an elevational right view of the mist spray of FIG. 1;
FIG. 6 is a top plan view of the mist spray of FIG. 1; and,
FIG. 7 is a bottom plan view of the mist spray of FIG. 1.
The broken lines in the drawings depict portions of the mist spray device that form no part of the claimed design.

1 Claim, 3 Drawing Sheets



(56)

References Cited

U.S. PATENT DOCUMENTS

D796,025 S * 8/2017 Lo D24/108
D800,881 S * 10/2017 Wu D23/356
D801,181 S * 10/2017 Koh D9/529
2015/0235571 A1* 8/2015 Alexandersson G09B 23/285
434/262
2017/0087576 A1* 3/2017 Fang H04W 4/80
2018/0021529 A1* 1/2018 Tibbatts A61M 15/0008
128/203.15

* cited by examiner

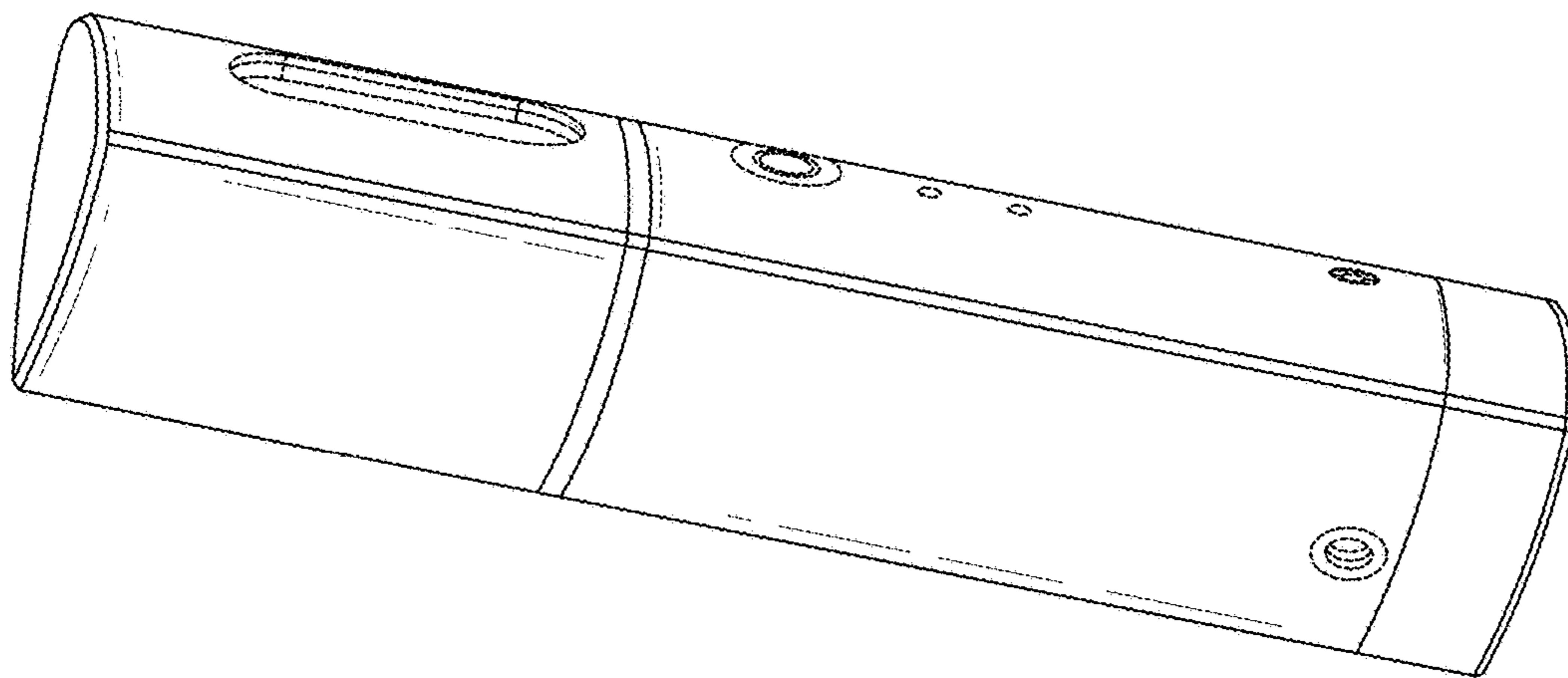


FIG. 1

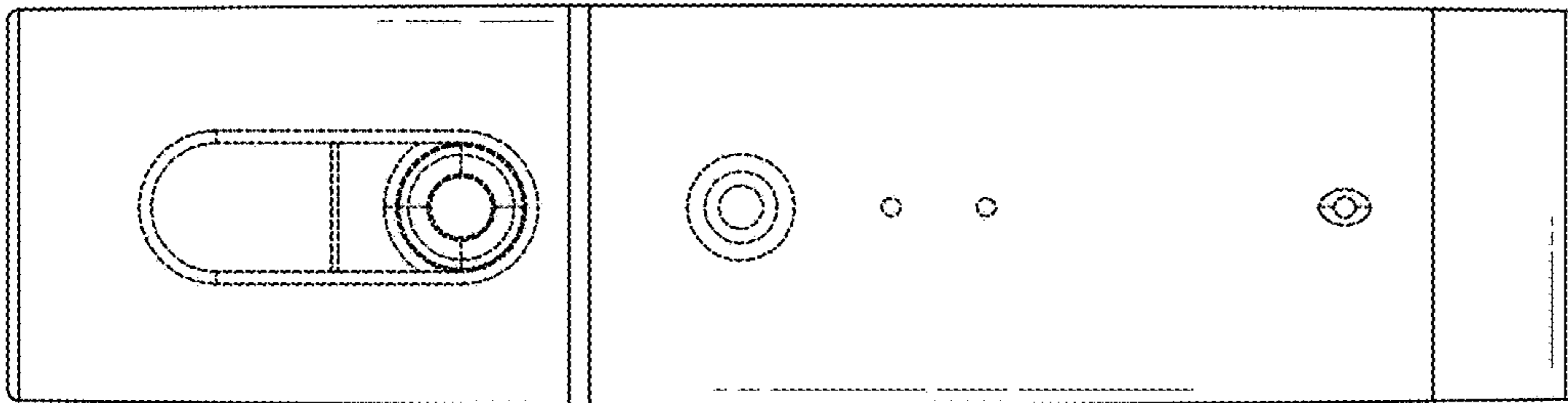


FIG. 2

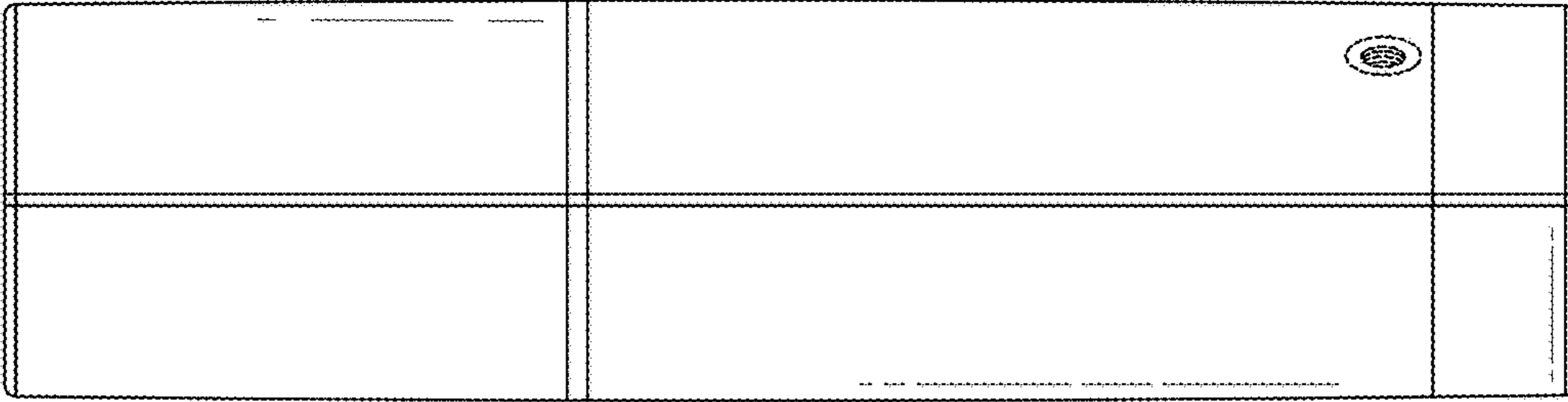


FIG. 3

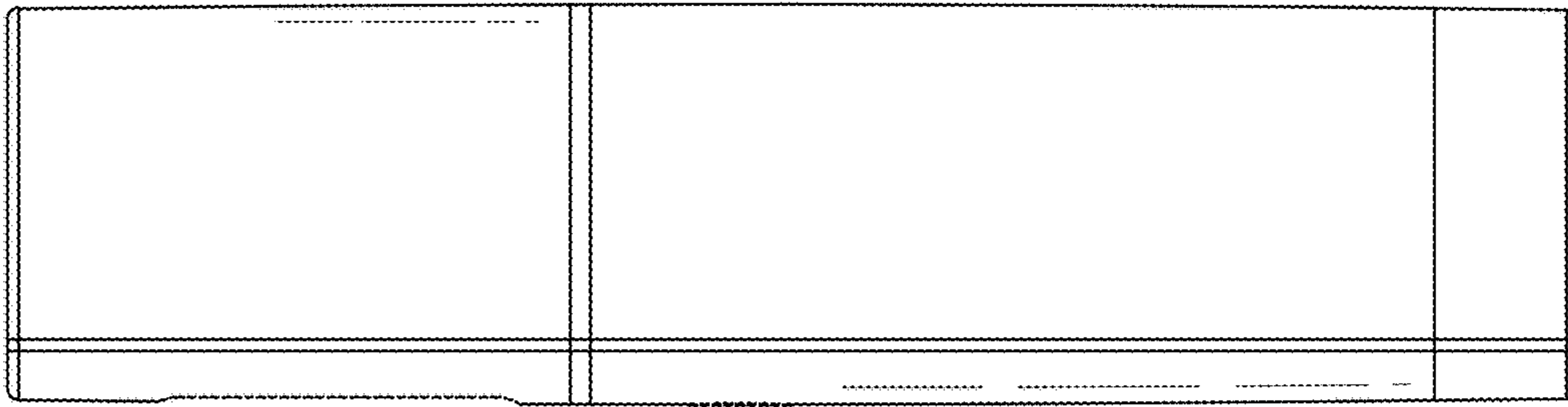


FIG. 5

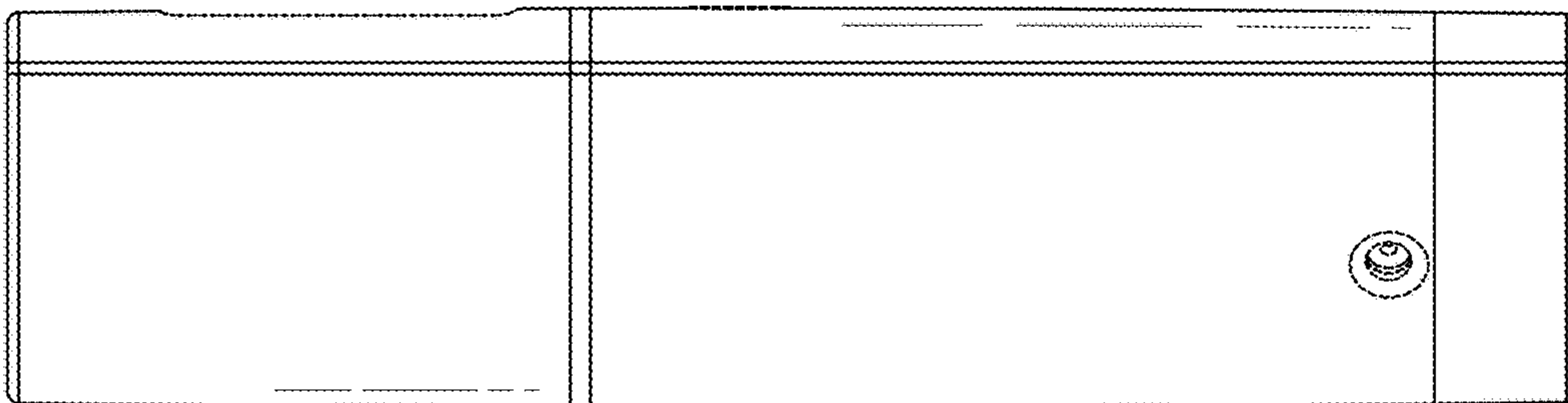


FIG. 4

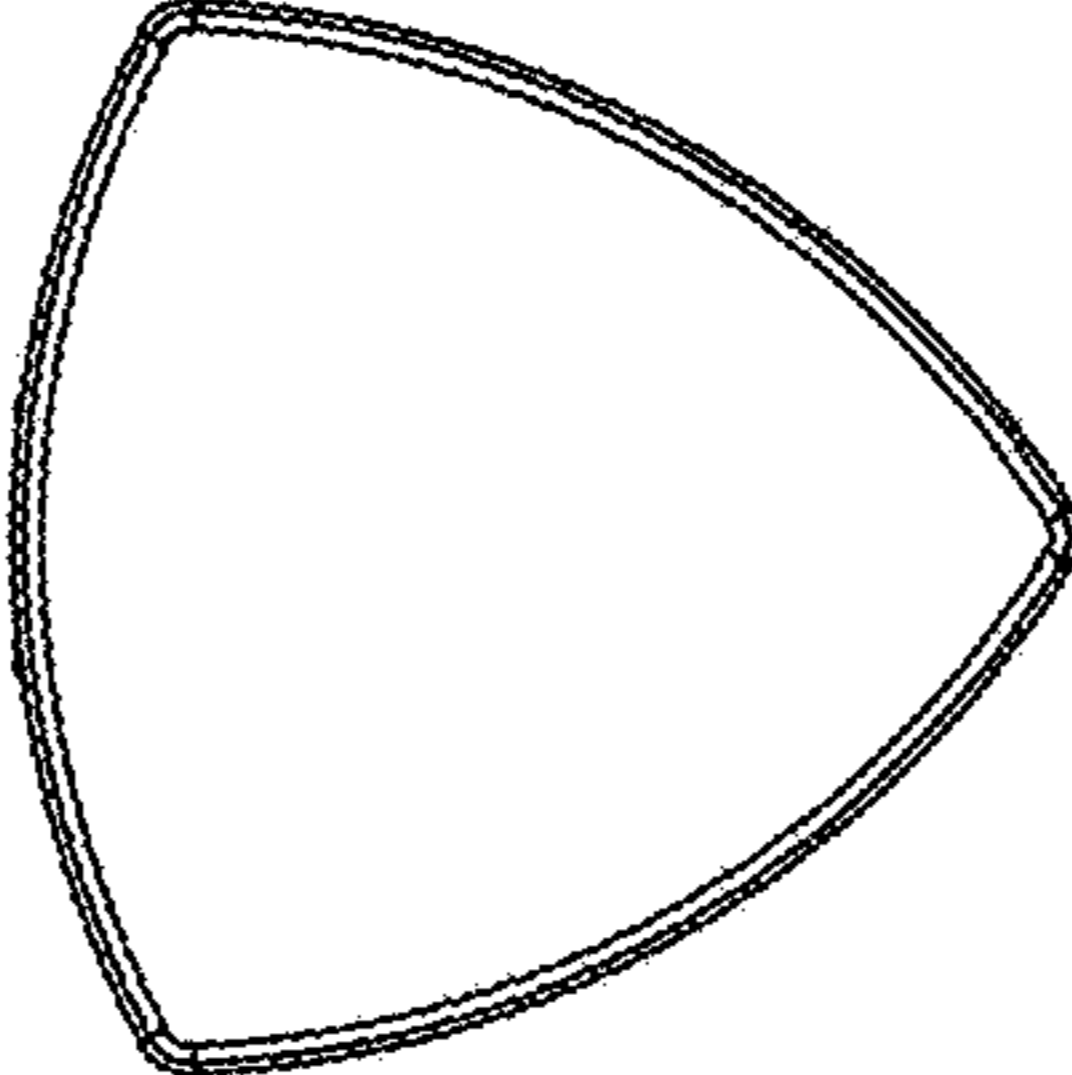


FIG. 7

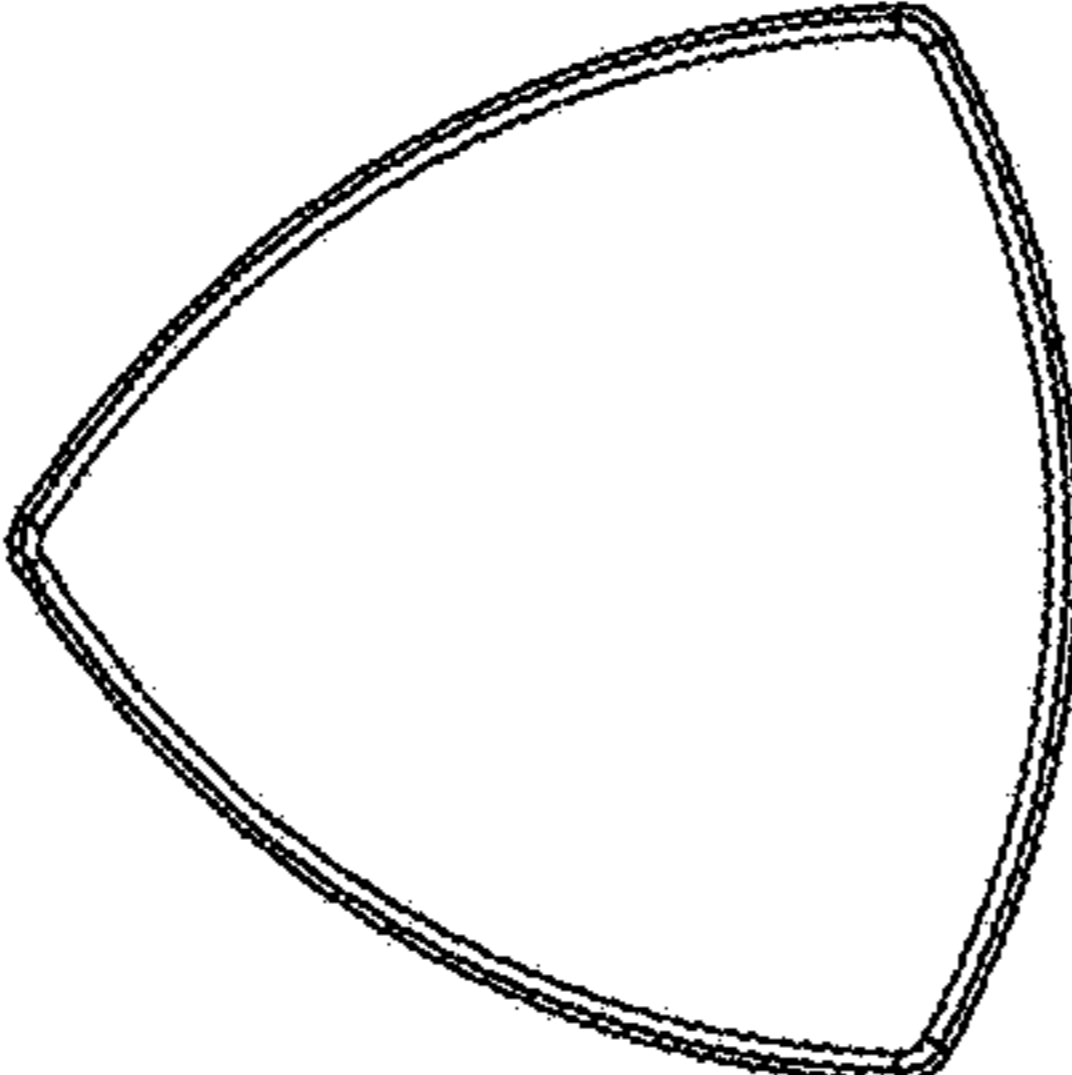


FIG. 6