

US00D833069S

(12) **United States Design Patent** (10) **Patent No.:** **US D833,069 S**  
**Broides et al.** (45) **Date of Patent:** **\*\* Nov. 6, 2018**

(54) **HAIR DRYER ATTACHMENT**

(71) Applicants: **Ilan D. Broides**, Aventura, FL (US);  
**David B. Shurgin**, Aventura, FL (US)

(72) Inventors: **Ilan D. Broides**, Aventura, FL (US);  
**David B. Shurgin**, Aventura, FL (US)

(73) Assignee: **Master Salon Technologies LLC**

(\*\*) Term: **15 Years**

(21) Appl. No.: **29/605,517**

(22) Filed: **May 26, 2017**

(51) **LOC (11) Cl.** ..... **28-03**

(52) **U.S. Cl.**  
USPC ..... **D28/18**

(58) **Field of Classification Search**  
USPC ..... D28/18, 19, 24, 10, 12, 13; 34/97, 98,  
34/99; 132/112–116; 392/380, 383–385,  
392/379  
CPC ..... A45D 20/12  
See application file for complete search history.

D414,896 S 10/1999 Goetschi  
6,009,883 A 1/2000 Morrow  
D433,183 S 10/2000 Kwong  
7,040,037 B2 \* 5/2006 Keong ..... A45D 20/122  
34/97  
7,047,660 B2 \* 5/2006 Leventhal ..... A45D 20/122  
34/97  
7,178,261 B2 \* 2/2007 McCambridge ..... A45D 20/124  
219/222  
D622,001 S \* 8/2010 Zabala ..... D28/18  
D626,287 S \* 10/2010 Simon ..... D28/18  
8,066,017 B1 \* 11/2011 Born ..... A45D 20/12  
132/271  
8,209,877 B2 7/2012 Smal  
8,302,613 B2 \* 11/2012 Yde ..... A45D 1/00  
132/272  
9,622,561 B2 \* 4/2017 Cohen ..... A45D 20/12  
(Continued)

*Primary Examiner* — Susan Bennett Hattan  
*Assistant Examiner* — Rebecca Tsehaye  
(74) *Attorney, Agent, or Firm* — Robert M. Schwartz

(57) **CLAIM**

The ornamental design of a hair dryer attachment, as shown and described.

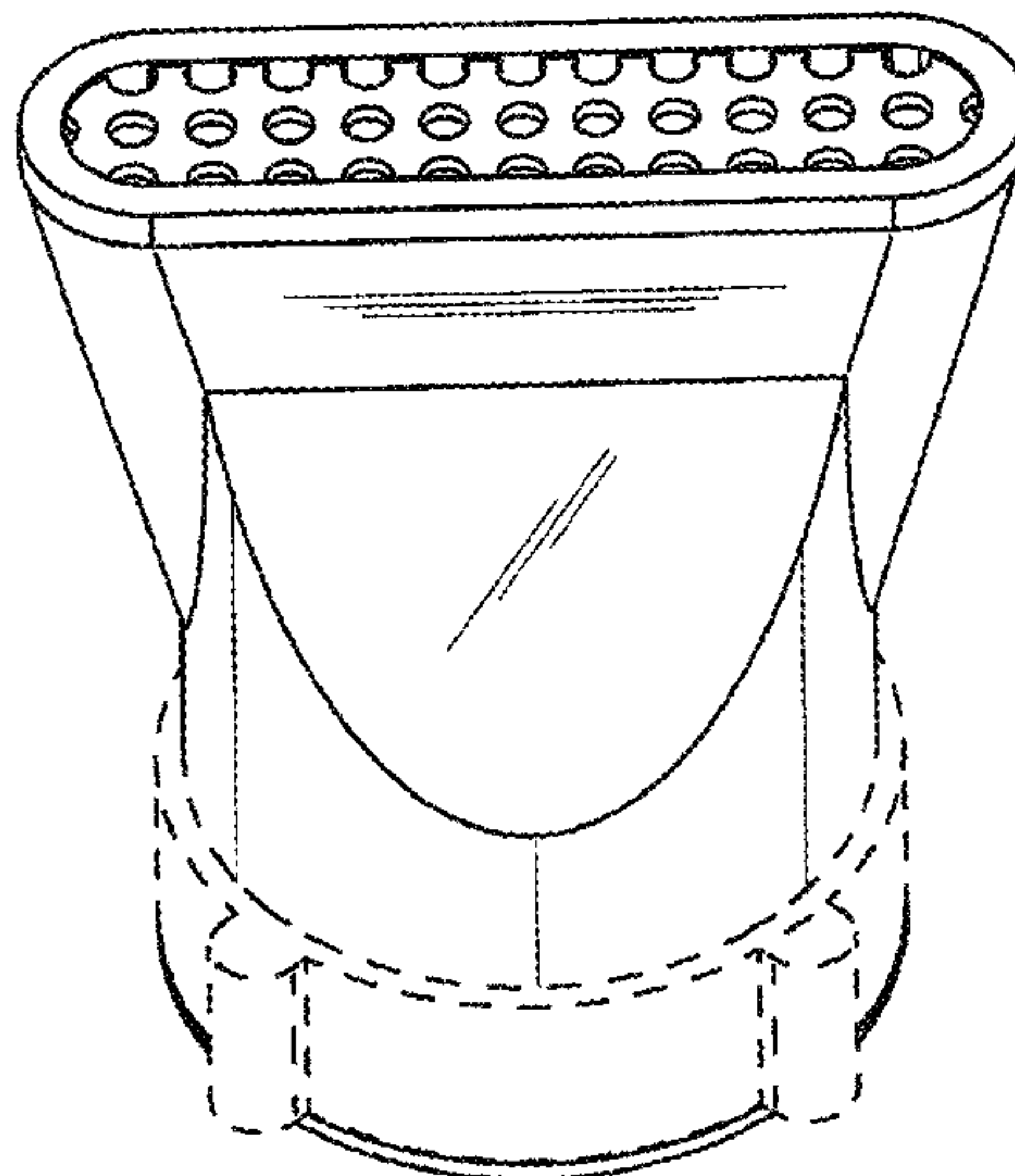
(56) **References Cited**  
U.S. PATENT DOCUMENTS

752,803 A	2/1904	Ross	
2,385,121 A	9/1945	Williams	
D258,092 S	1/1981	Forsberg	
D259,284 S	5/1981	Megna	
D265,597 S *	7/1982	Forsberg	..... D28/18
4,848,007 A	7/1989	Montagnino	
D308,118 S	5/1990	Brill	
5,036,601 A	8/1991	Mulle, Jr.	
5,161,317 A *	11/1992	McDougall	..... A45D 20/124 239/383
5,235,759 A	8/1993	Rizzuto, Jr.	
D381,766 S	7/1997	Smal	
5,649,370 A	7/1997	Russo	
5,725,159 A *	3/1998	Dorber	..... A45D 20/122 239/553.3

**DESCRIPTION**

FIG. 1 is a front perspective view of the hair dryer attachment showing the new design.  
FIG. 2 is a top view of the invention.  
FIG. 3 is a bottom view of the invention; and,  
FIG. 4 is a side view of the invention, the left and right side views are the same and thus there is only one side view presented.  
The broken lines immediately adjacent to the shaded areas represent the bounds of the claim and all other broken lines depict unclaimed portions of the hair dryer attachment. None of the broken lines form a part of the claimed design.

**1 Claim, 4 Drawing Sheets**



(56)

**References Cited**

U.S. PATENT DOCUMENTS

2012/0234343 A1 9/2012 Cohen  
2013/0025106 A1 1/2013 Hernandez-Laines

\* cited by examiner

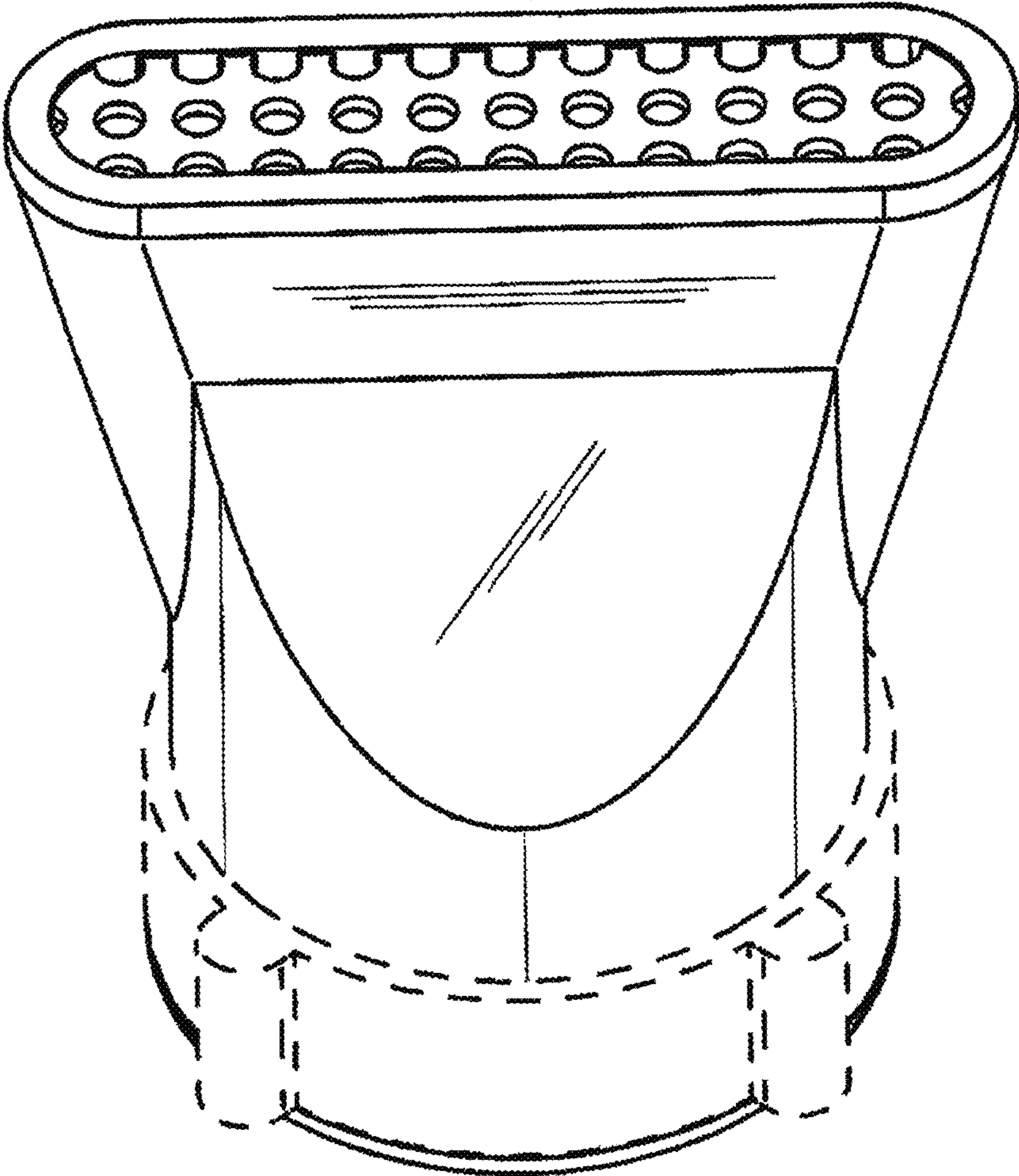


FIG. 1

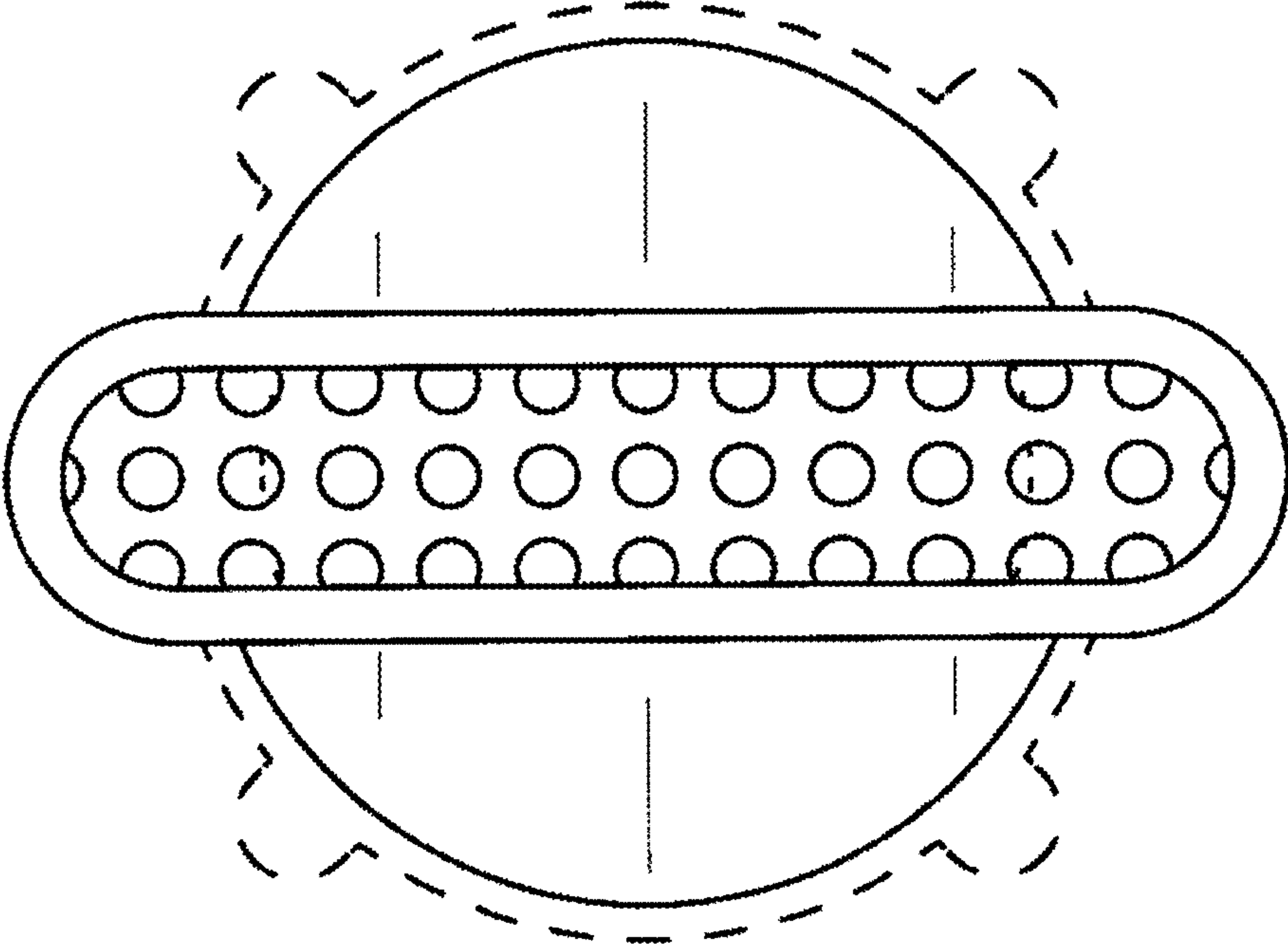


FIG. 2

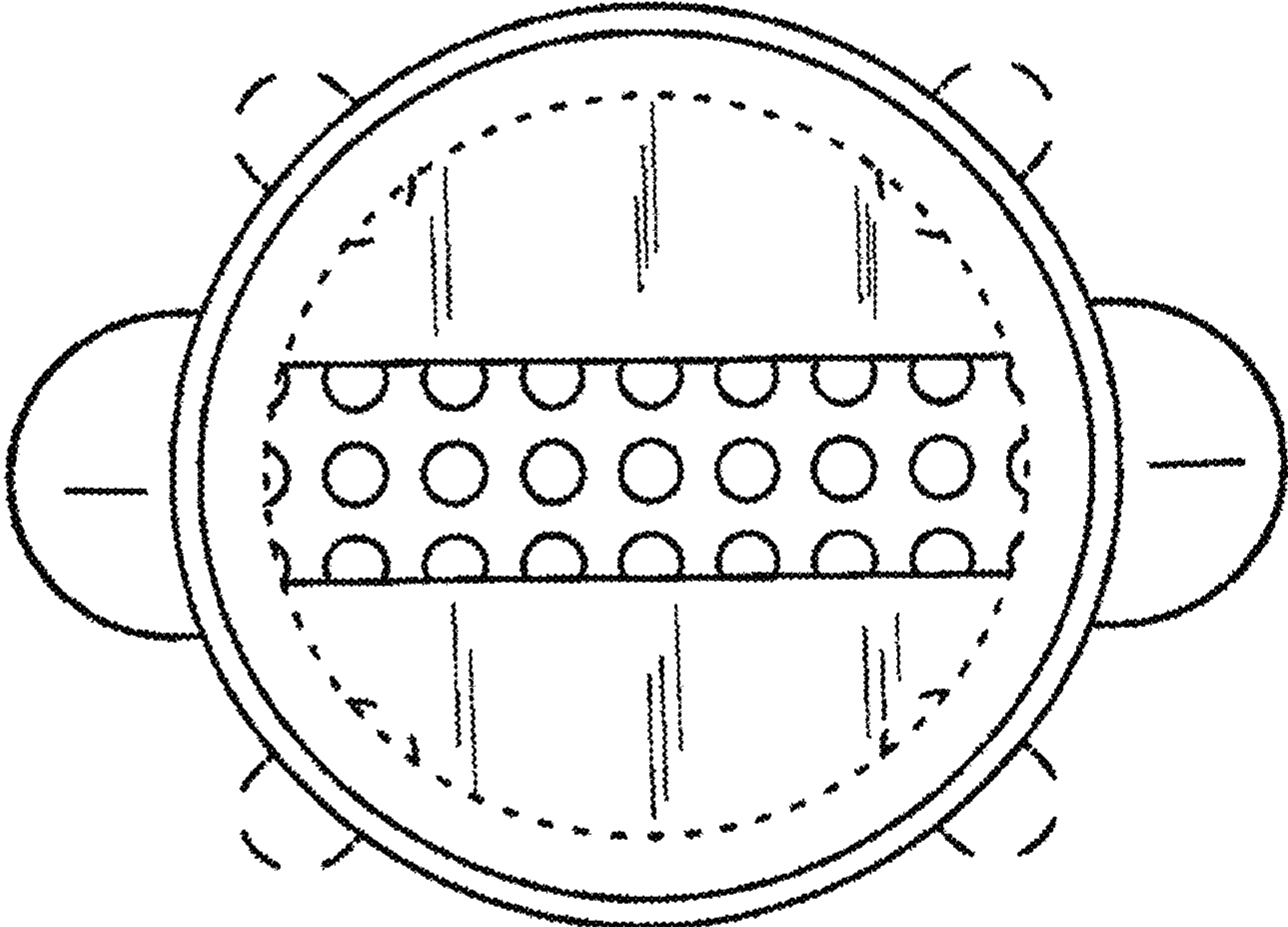


FIG. 3

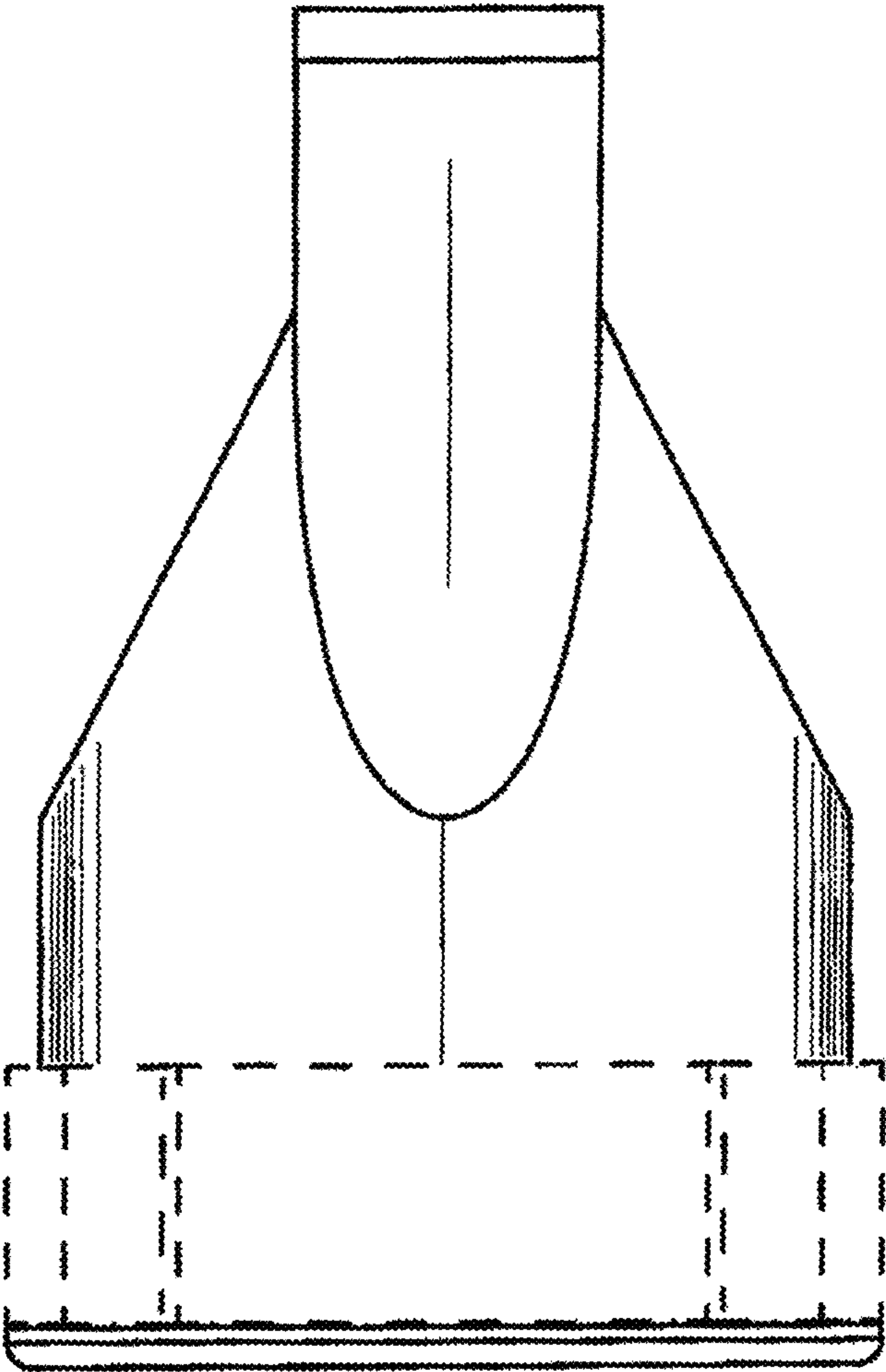


FIG. 4