



US00D833067S

(12) **United States Design Patent**  
**Suzuki**

(10) **Patent No.:** **US D833,067 S**

(45) **Date of Patent:** **\*\* Nov. 6, 2018**

(54) **DISPENSER**

FOREIGN PATENT DOCUMENTS

(71) Applicant: **KOTOBUKI & CO., LTD.**,  
Kawagoe-shi (JP)

JP 2000-327007 A 11/2000  
JP 2001-048219 A 2/2001

(Continued)

(72) Inventor: **Tomoaki Suzuki**, Kawagoe (JP)

OTHER PUBLICATIONS

(73) Assignee: **KOTOBUKI & CO., LTD.**,  
Saitama-Ken (JP)

Design U.S. Appl. No. 29/596,929, filed Mar. 13, 2017 by Suzuki.

(\*\*) Term: **15 Years**

*Primary Examiner* — Cynthia Ramirez

(21) Appl. No.: **29/650,631**

*Assistant Examiner* — Laura H Yu

(22) Filed: **Jun. 8, 2018**

(74) *Attorney, Agent, or Firm* — Frost Brown Todd LLC

**Related U.S. Application Data**

(62) Division of application No. 29/596,929, filed on Mar. 13, 2017.

(57) **CLAIM**

The ornamental design for a dispenser, as shown and described.

(30) **Foreign Application Priority Data**

Dec. 27, 2016 (JP) ..... 2016-028234  
Dec. 27, 2016 (JP) ..... 2016-028235

**DESCRIPTION**

(51) **LOC (11) Cl.** ..... **28-02**

(52) **U.S. Cl.**  
USPC ..... **D28/7; D19/190**

(58) **Field of Classification Search**  
USPC ..... D19/168–186, 117, 163–167, 901–934,  
D19/108, 161, 190, 191; D4/138, 199;  
D28/7; D9/727

CPC ..... B43K 24/03; B43K 23/12; B43K 23/001;  
G09B 5/04; G06F 3/03545

See application file for complete search history.

FIG. 1 is a perspective view of a dispenser, showing my new design;

FIG. 2 is a front view of the dispenser of FIG. 1;

FIG. 3 is a back view of the dispenser of FIG. 1;

FIG. 4 is a top view of the dispenser of FIG. 1;

FIG. 5 is a bottom view of the dispenser of FIG. 1;

FIG. 6 is a left side view of the dispenser of FIG. 1, the right side view being a mirror image of the left side shown in FIG. 6;

FIG. 7 is an enlarged top view of the dispenser of FIG. 1; FIG. 8 is an enlarged bottom view of the dispenser of FIG. 1;

FIG. 9 is an enlarged view of a portion of the dispenser of FIG. 1, the portion being indicated by the broken line circle in FIG. 6; and,

FIG. 10 is a cross-sectional end view of the dispenser of FIG. 1, the cross section being taken along line 10-10 of FIG. 6.

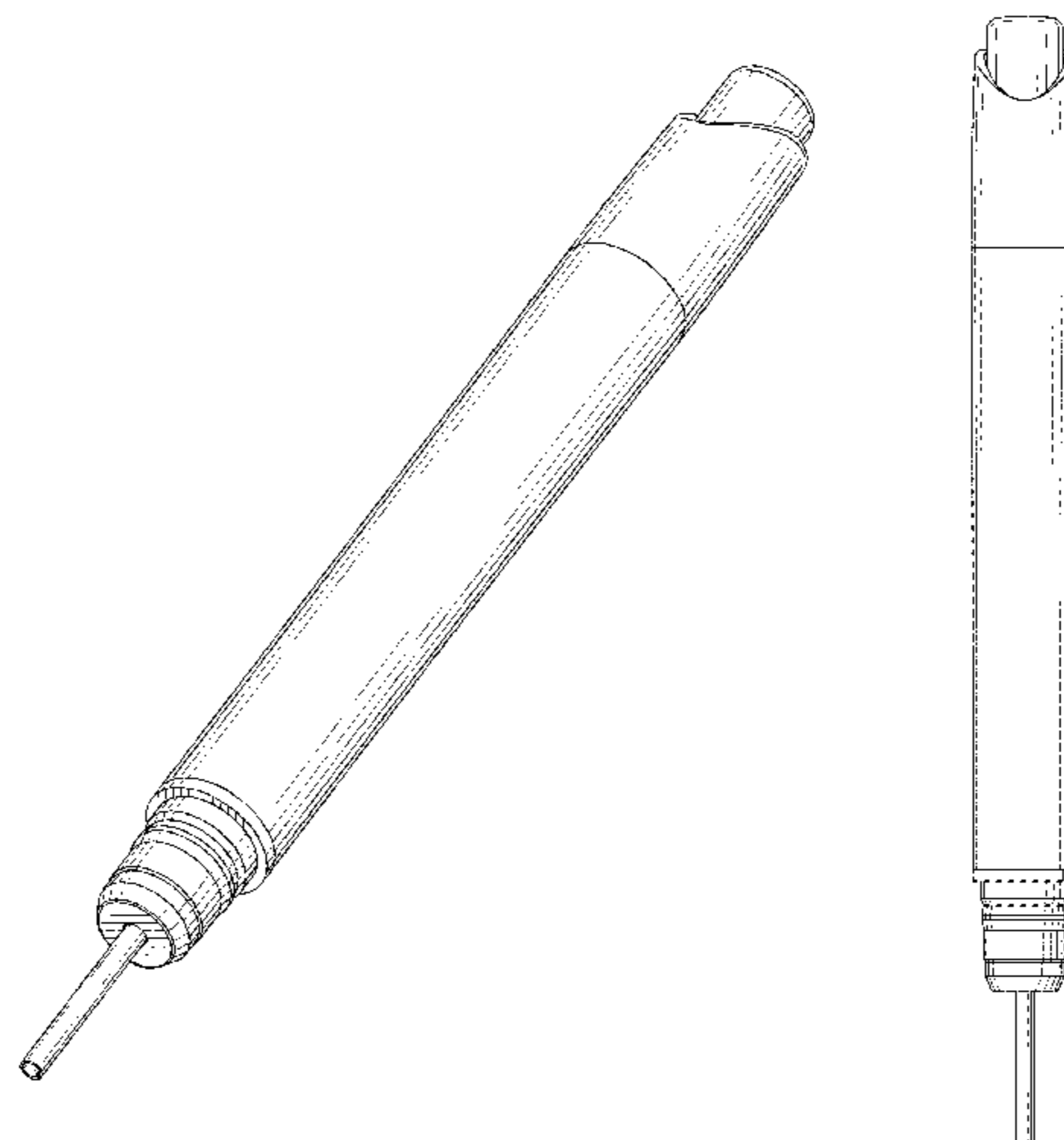
(56) **References Cited**

U.S. PATENT DOCUMENTS

1,325,070 A 12/1919 Andrews  
2,299,296 A 10/1942 Battle  
2,313,865 A \* 3/1943 Dworkin ..... A46B 11/0013  
401/288  
D158,554 S \* 5/1950 Cady ..... D28/91.1

(Continued)

**1 Claim, 7 Drawing Sheets**



(56)

References Cited

U.S. PATENT DOCUMENTS

3,061,868 A \* 11/1962 Miller ..... A46B 11/002  
401/135  
3,877,822 A \* 4/1975 LaMura ..... A45D 34/043  
401/101  
D299,973 S 2/1989 Campello et al.  
D389,867 S \* 1/1998 Togawa ..... D19/200  
6,102,602 A 8/2000 Kageyama et al.  
6,176,632 B1 1/2001 Kageyama et al.  
D460,485 S 7/2002 Keda  
6,702,158 B2 3/2004 Kageyama et al.  
D502,506 S 3/2005 Reichmann  
6,918,515 B2 7/2005 Noguchi  
7,051,642 B2 5/2006 Kageyama  
D529,817 S \* 10/2006 Francavilla ..... G01F 11/025  
D9/724  
D551,569 S 9/2007 Tanaka  
D555,831 S \* 11/2007 Chan ..... D28/7  
D557,745 S 12/2007 Isono  
D566,331 S \* 4/2008 Hartstock ..... D28/7

D589,555 S 3/2009 Li  
D626,994 S 11/2010 Gerules  
D639,998 S \* 6/2011 Liu ..... D19/901  
D666,670 S 9/2012 Dehne  
D675,540 S 2/2013 Montminy  
D690,363 S \* 9/2013 Yamanaka ..... D19/200  
D692,319 S \* 10/2013 Moreau ..... D9/724  
D705,986 S \* 5/2014 Pires ..... D28/7  
D791,234 S 7/2017 Vadenne  
2007/0086830 A1 4/2007 Kageyama

FOREIGN PATENT DOCUMENTS

JP 2001-232273 A 8/2001  
JP 2002-068331 A 3/2002  
JP 2002-068332 A 3/2002  
JP 2003-174931 A 6/2003  
JP 2004-089592 A 3/2004  
JP 2005-192789 A 7/2005  
JP 2007-130437 A 5/2007  
JP 2010-274989 A 12/2010  
JP 2013-234001 A 11/2013

\* cited by examiner

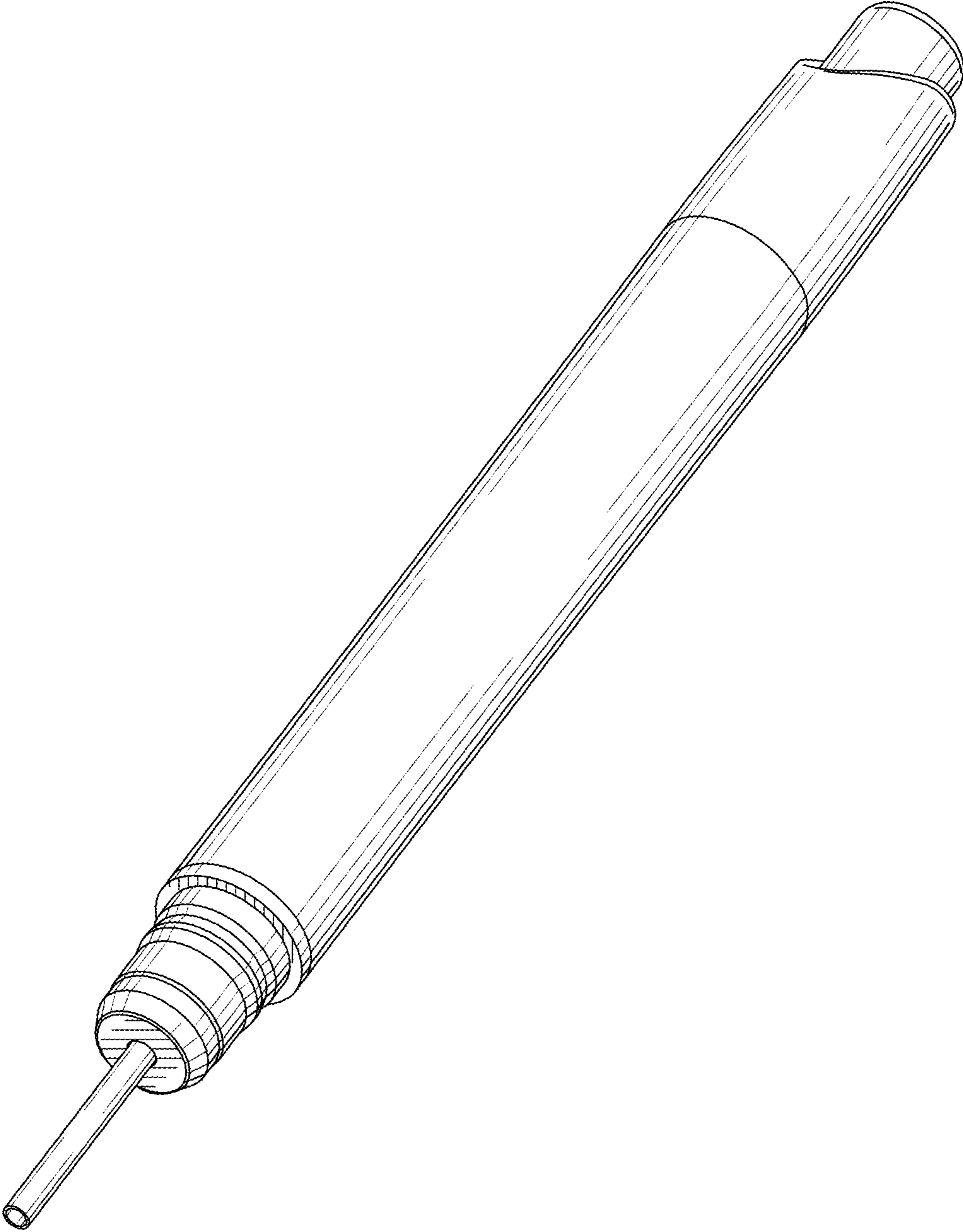


Fig. 1

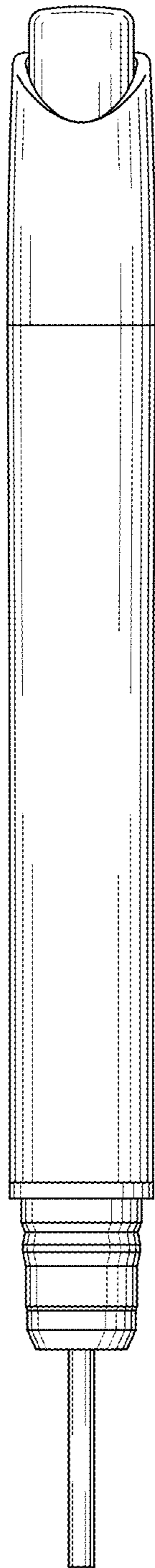


Fig. 2

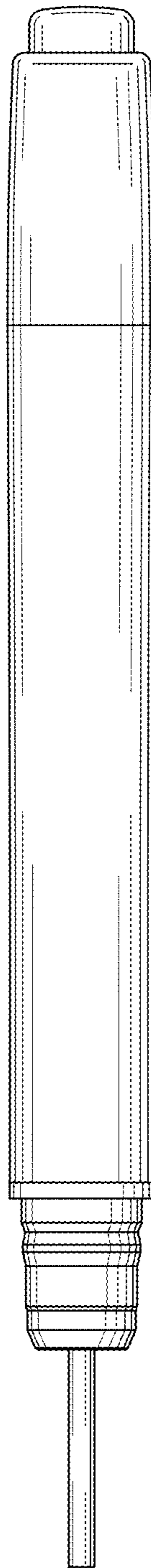


Fig. 3

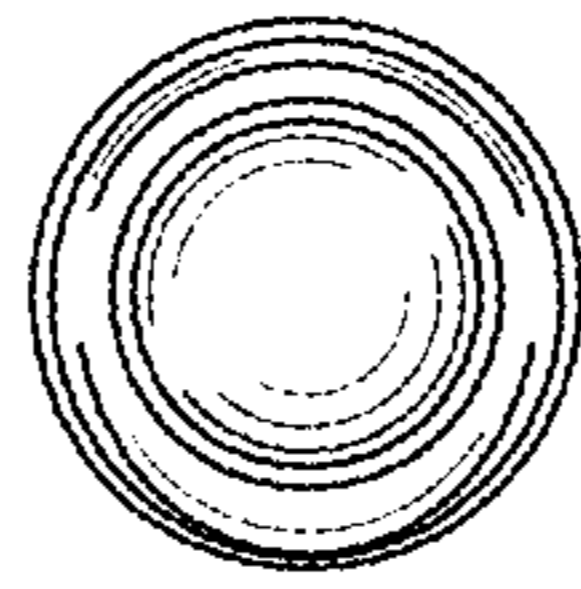


Fig. 4

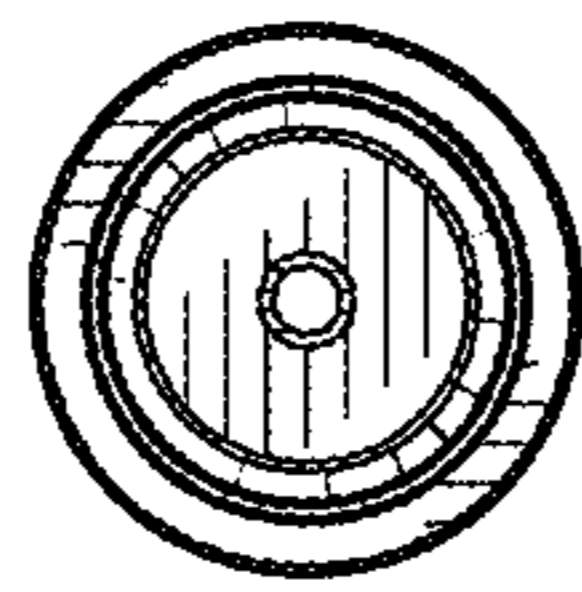


Fig. 5

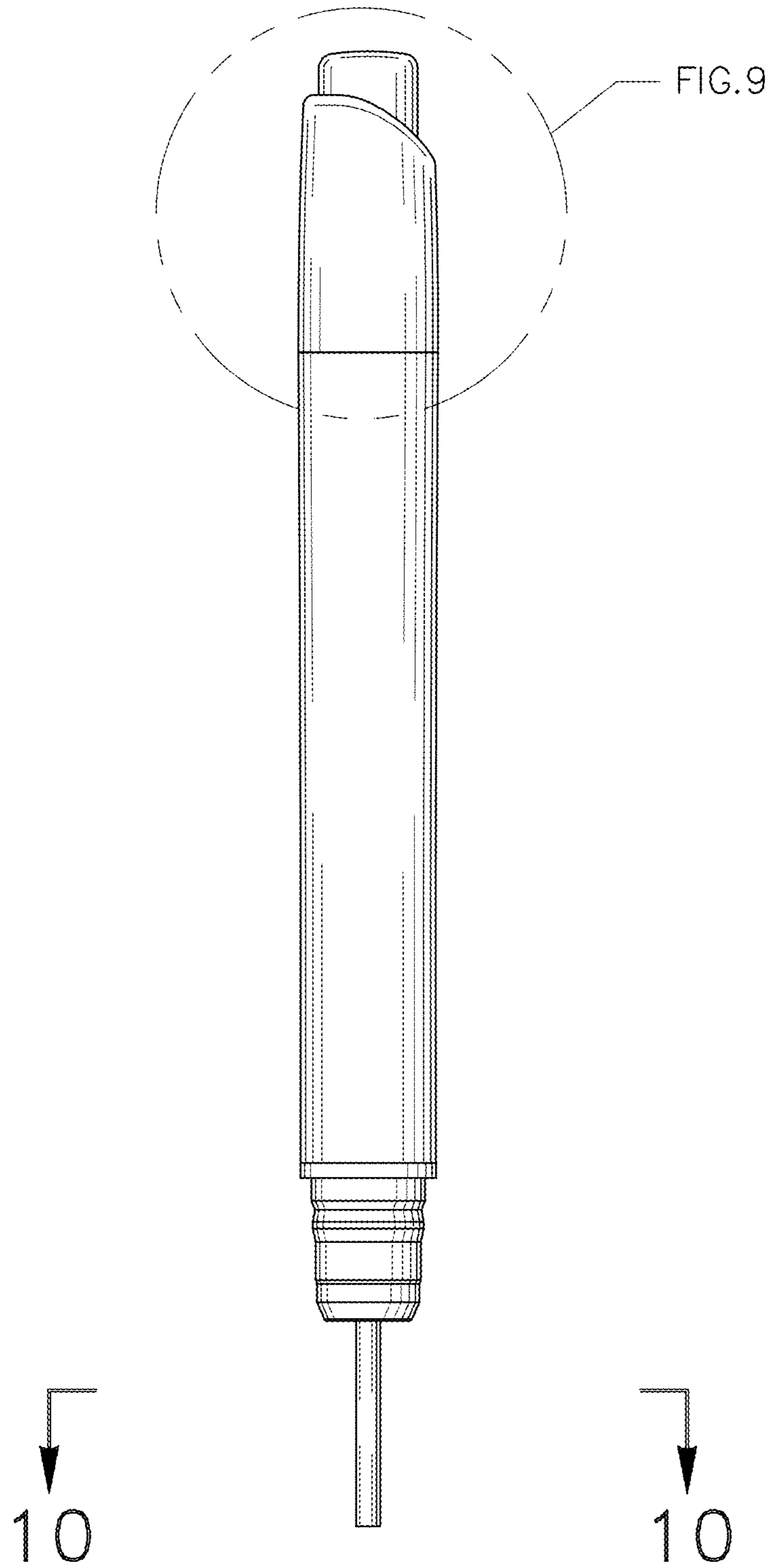


Fig.6

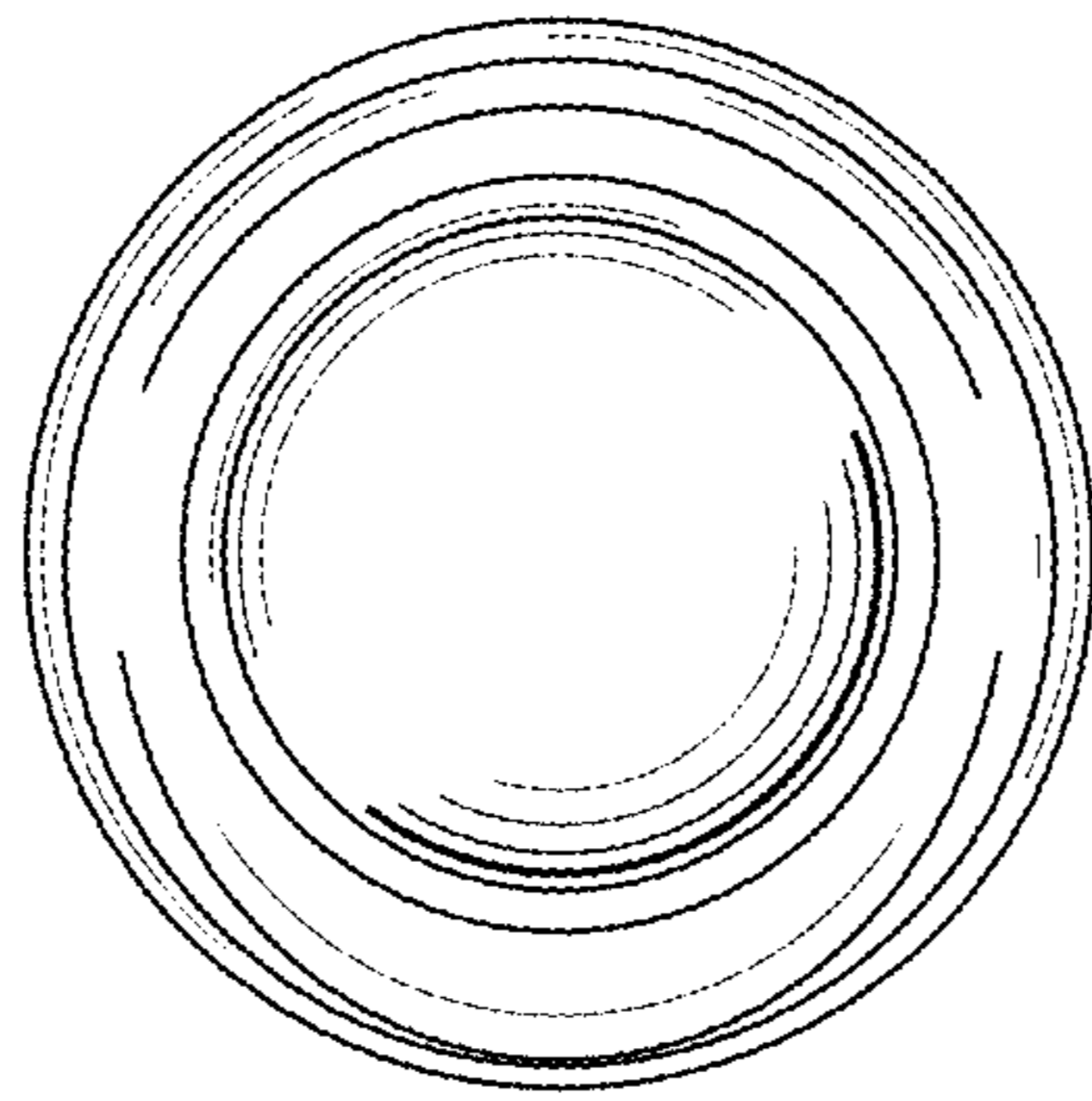


Fig. 7

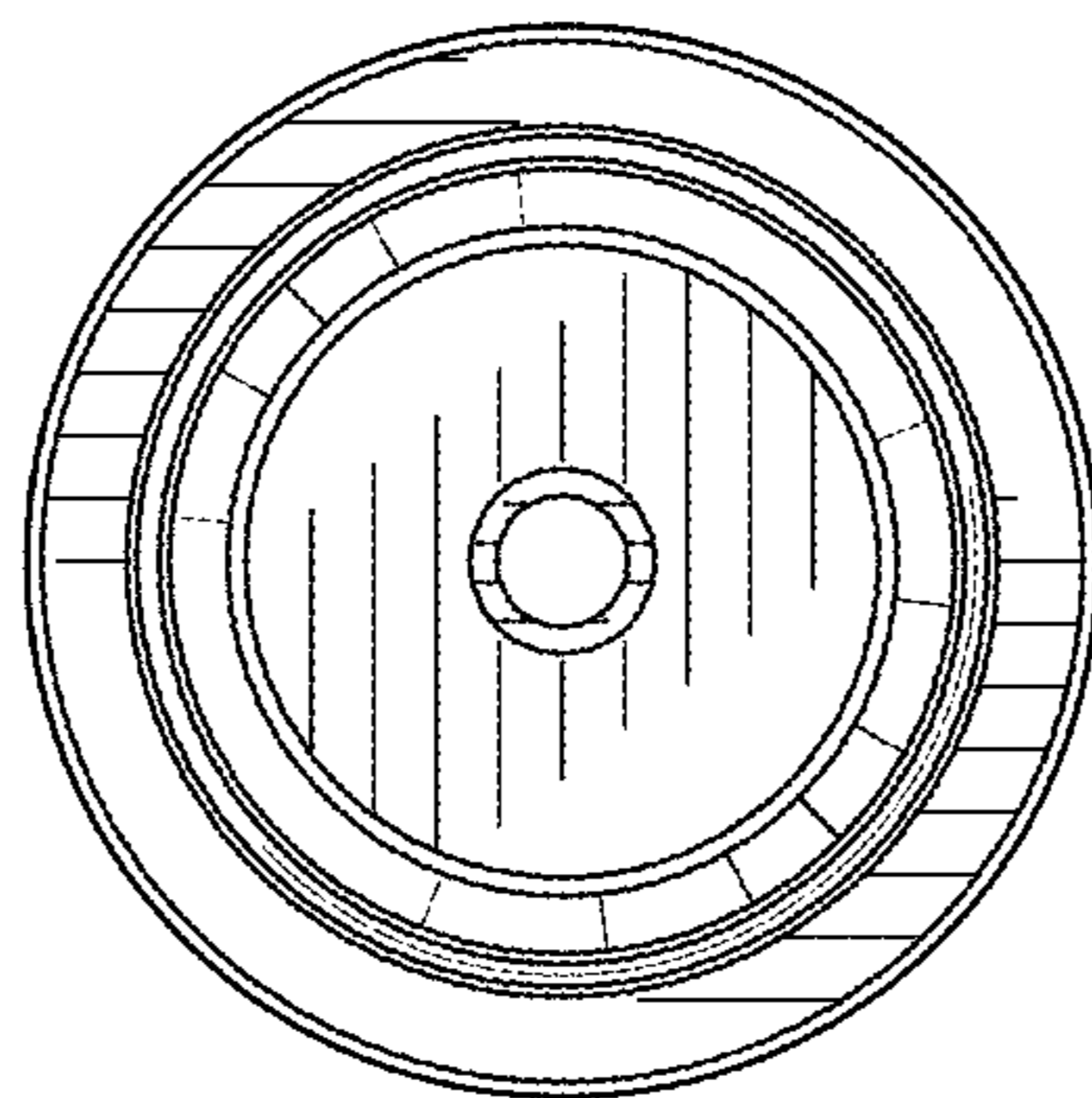


Fig. 8

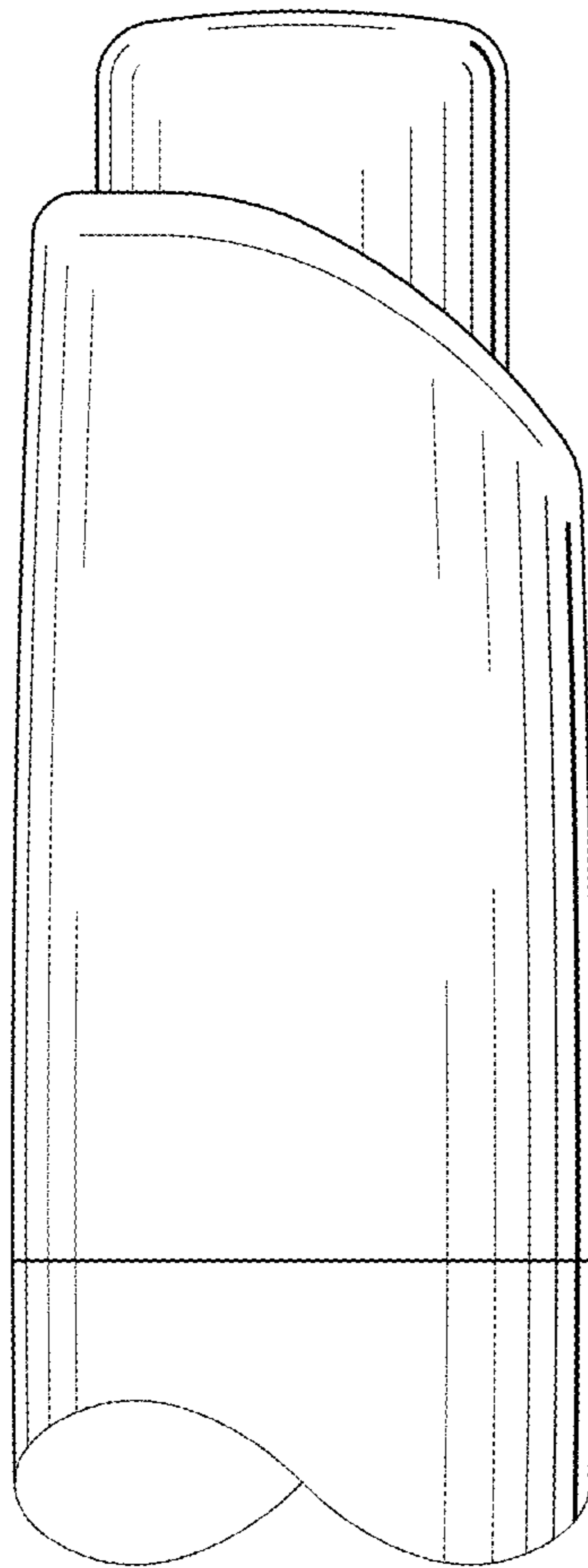


Fig.9



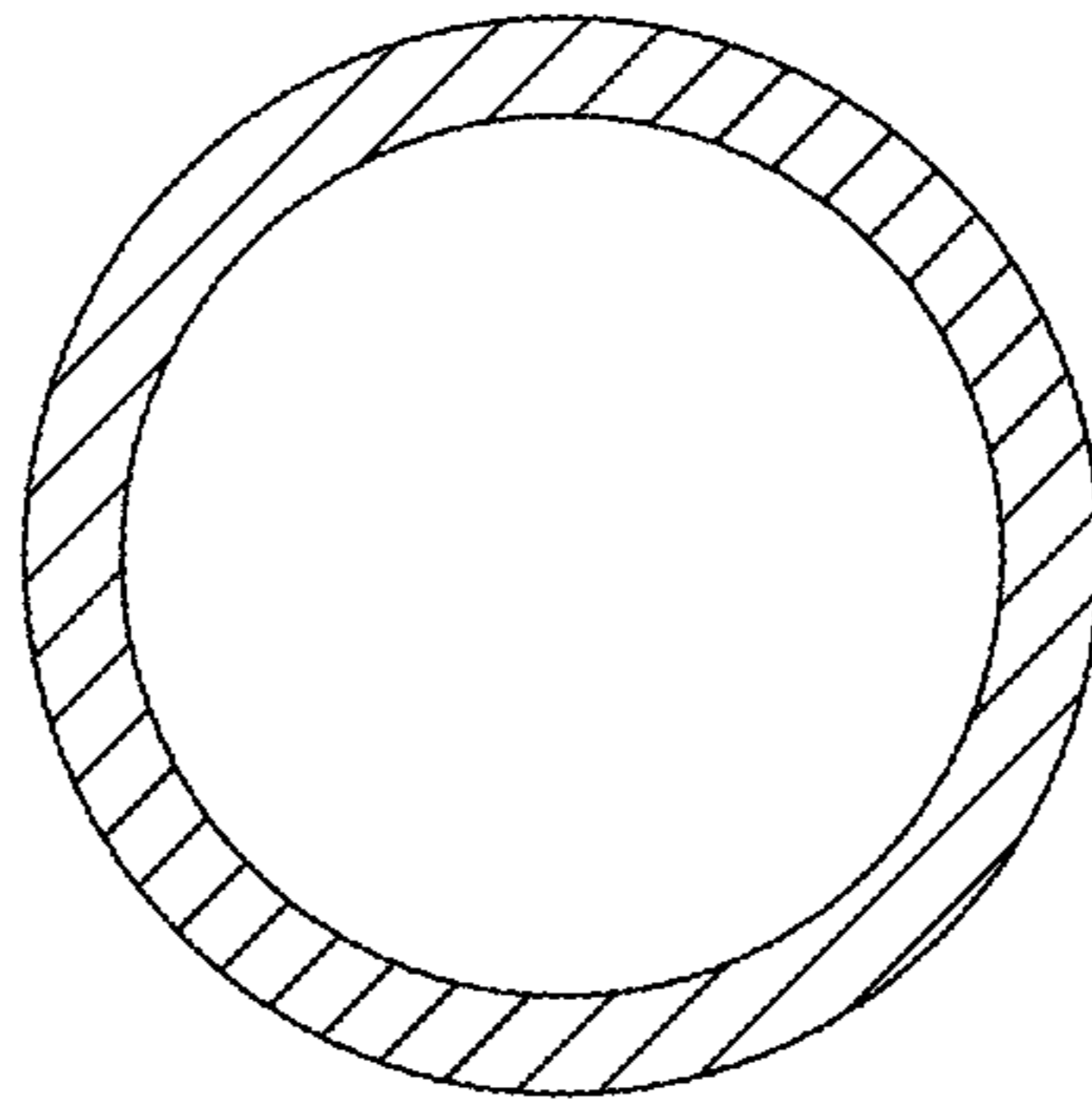


Fig. 10