



US00D833066S

(12) **United States Design Patent** (10) **Patent No.:** **US D833,066 S**
Cooney (45) **Date of Patent:** **** Nov. 6, 2018**

(54) **SPATULA FOR COSMETICS**
(71) Applicant: **Karen Cooney**, Flower Mound, TX (US)
(72) Inventor: **Karen Cooney**, Flower Mound, TX (US)
(**) Term: **15 Years**
(21) Appl. No.: **29/601,168**
(22) Filed: **Apr. 19, 2017**
(51) **LOC (11) Cl.** **28-02**
(52) **U.S. Cl.**
USPC **D28/7**
(58) **Field of Classification Search**
USPC D28/7, 9, 56, 57, 62, 99; D19/108-110;
294/7, 8, 49
CPC A47J 43/288; A47J 43/28; A45D 40/26;
A45D 34/04; A45D 34/048; A45D
2200/10; A45D 29/16; A45D 29/17;
A45D 29/18; A45D 29/00; A61M 35/00;
A61M 35/03
See application file for complete search history.

(56) **References Cited**
U.S. PATENT DOCUMENTS
D246,000 S * 10/1977 Yacos D28/57
D315,792 S 3/1991 Kachigian
D335,706 S 5/1993 Mohajer
D363,861 S * 11/1995 Slater D7/688
D423,100 S 4/2000 Maissami
D496,756 S * 9/2004 McGhee D28/57
D500,410 S 1/2005 Dragan
D587,075 S * 2/2009 Dibnah D28/7
D588,748 S * 3/2009 Wittke-Kothe D24/149
D604,125 S 11/2009 Griffith
D606,372 S * 12/2009 Gorskey D7/688
D613,452 S 4/2010 Angeletta
D616,713 S 6/2010 Jossem
D618,521 S 6/2010 Jalet et al.

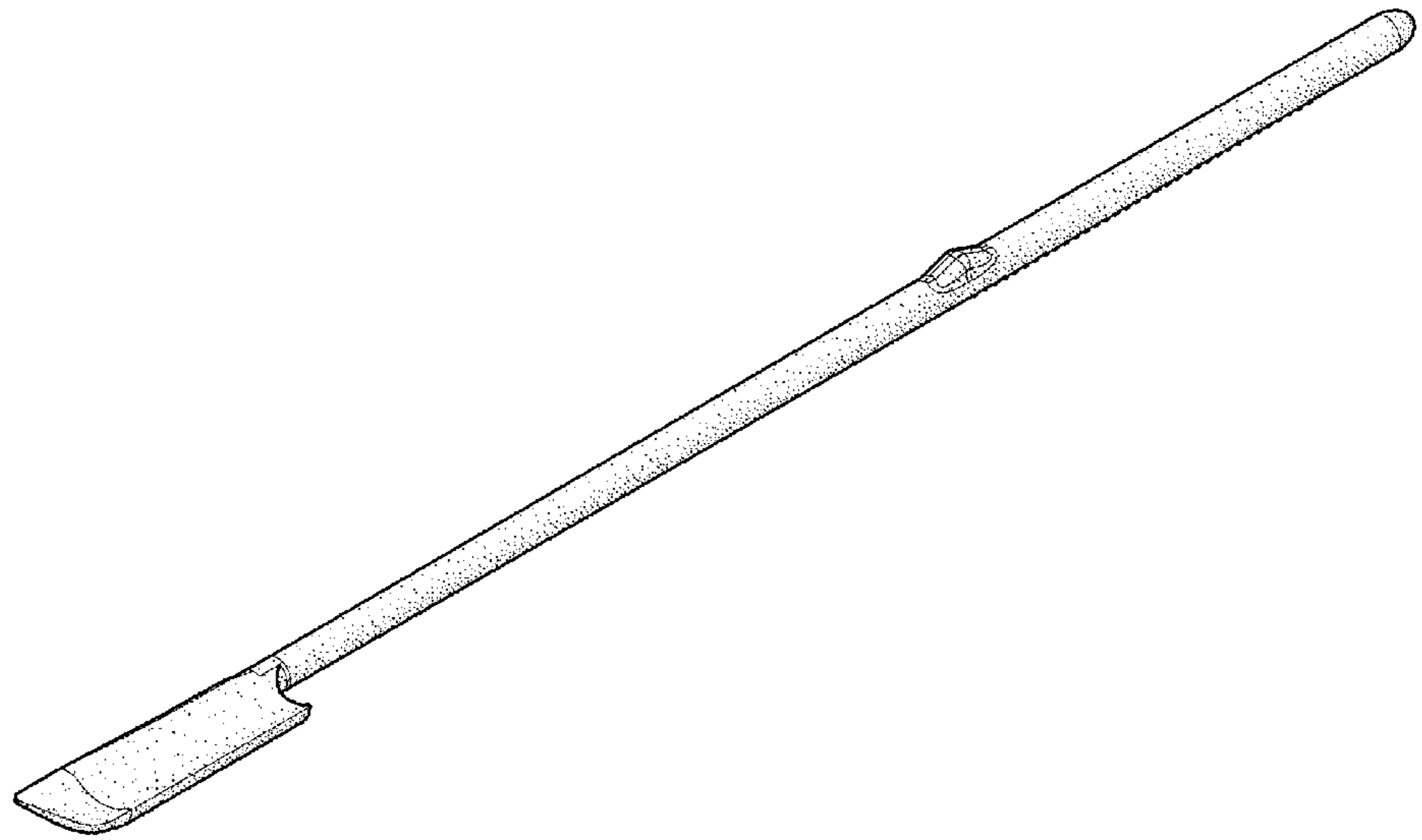
D628,447 S * 12/2010 Genatossio D7/688
D629,266 S 12/2010 Bird
D667,165 S * 9/2012 Strube D28/7
D667,166 S 9/2012 Strube
D756,176 S * 5/2016 Lessel D7/688
D785,238 S * 4/2017 Silva D28/7
D787,835 S * 5/2017 Lim D4/135

* cited by examiner
Primary Examiner — Susan Bennett Hattan
Assistant Examiner — Rebecca Tsehaye
(74) *Attorney, Agent, or Firm* — Seed Intellectual Property Law Group LLP

(57) **CLAIM**
The ornamental design for a spatula for cosmetics, as shown and described.

DESCRIPTION
FIG. 1 is a top perspective view of a spatula for cosmetics showing my new design.
FIG. 2 is a bottom perspective view thereof.
FIG. 3 is an enlarged portion of FIG. 2.
FIG. 4 is a left side elevational view thereof.
FIG. 5 is a right side elevational view thereof.
FIG. 6 is a top plan view thereof.
FIG. 7 is a cross-sectional view thereof, as viewed along Section 7-7 of FIG. 6.
FIG. 8 is a cross-sectional view thereof, as viewed along Section 8-8 of FIG. 6.
FIG. 9 is a cross-sectional view thereof, as viewed along Section 9-9 of FIG. 6.
FIG. 10 is a bottom plan view thereof.
FIG. 11 is a front end view thereof; and,
FIG. 12 is a rear end view thereof.
The broken lines in the drawings depict portions of the spatula for cosmetics that form no part of the claimed design.

1 Claim, 2 Drawing Sheets



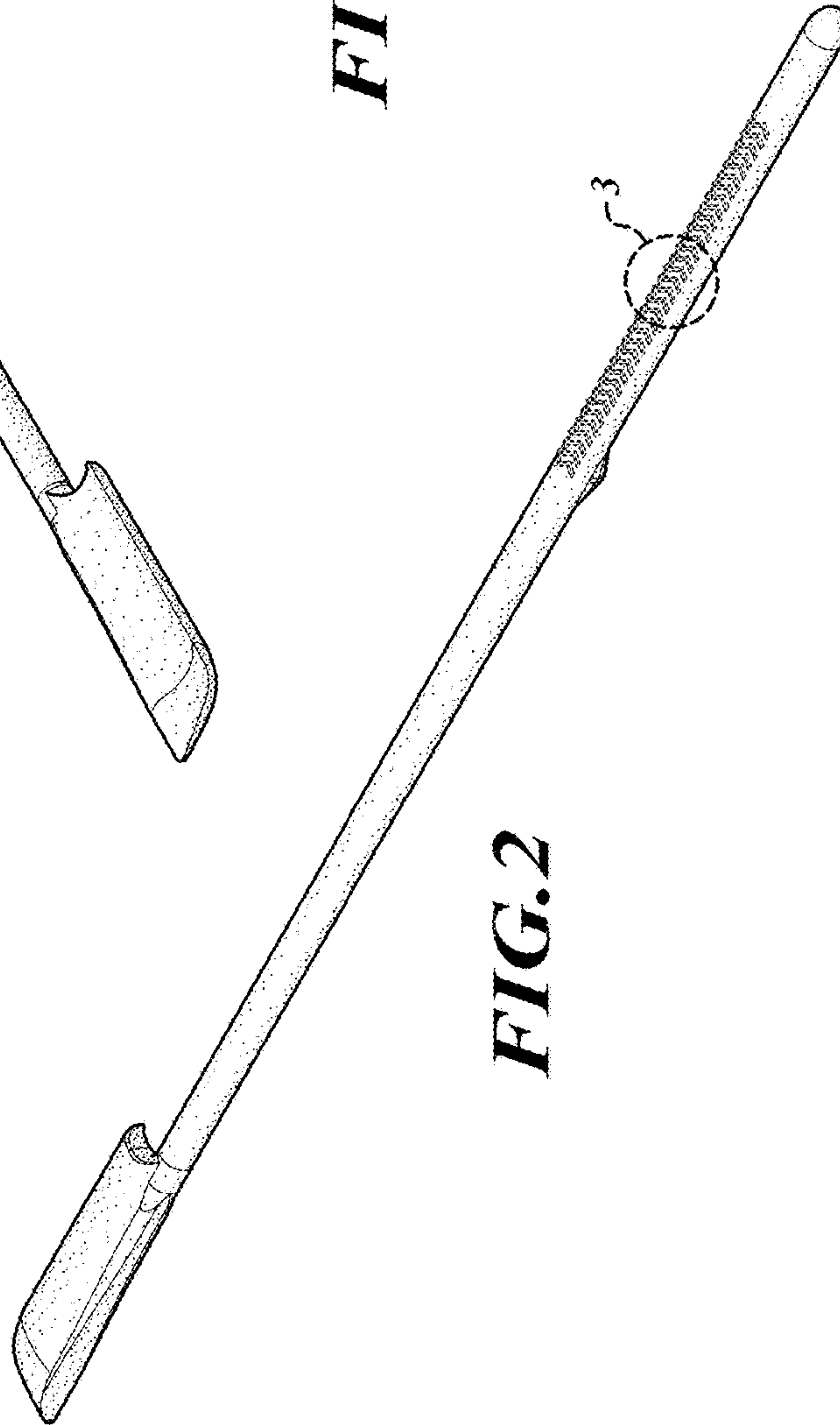
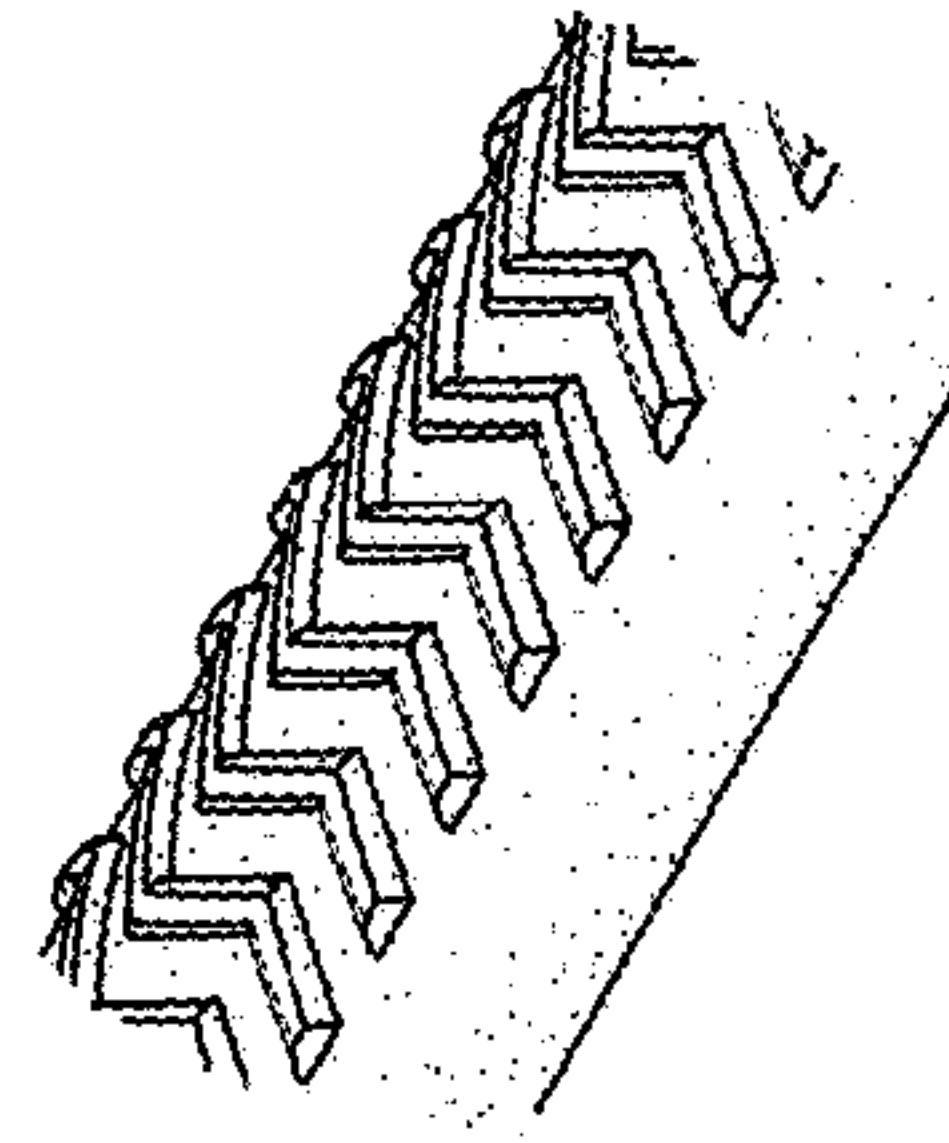
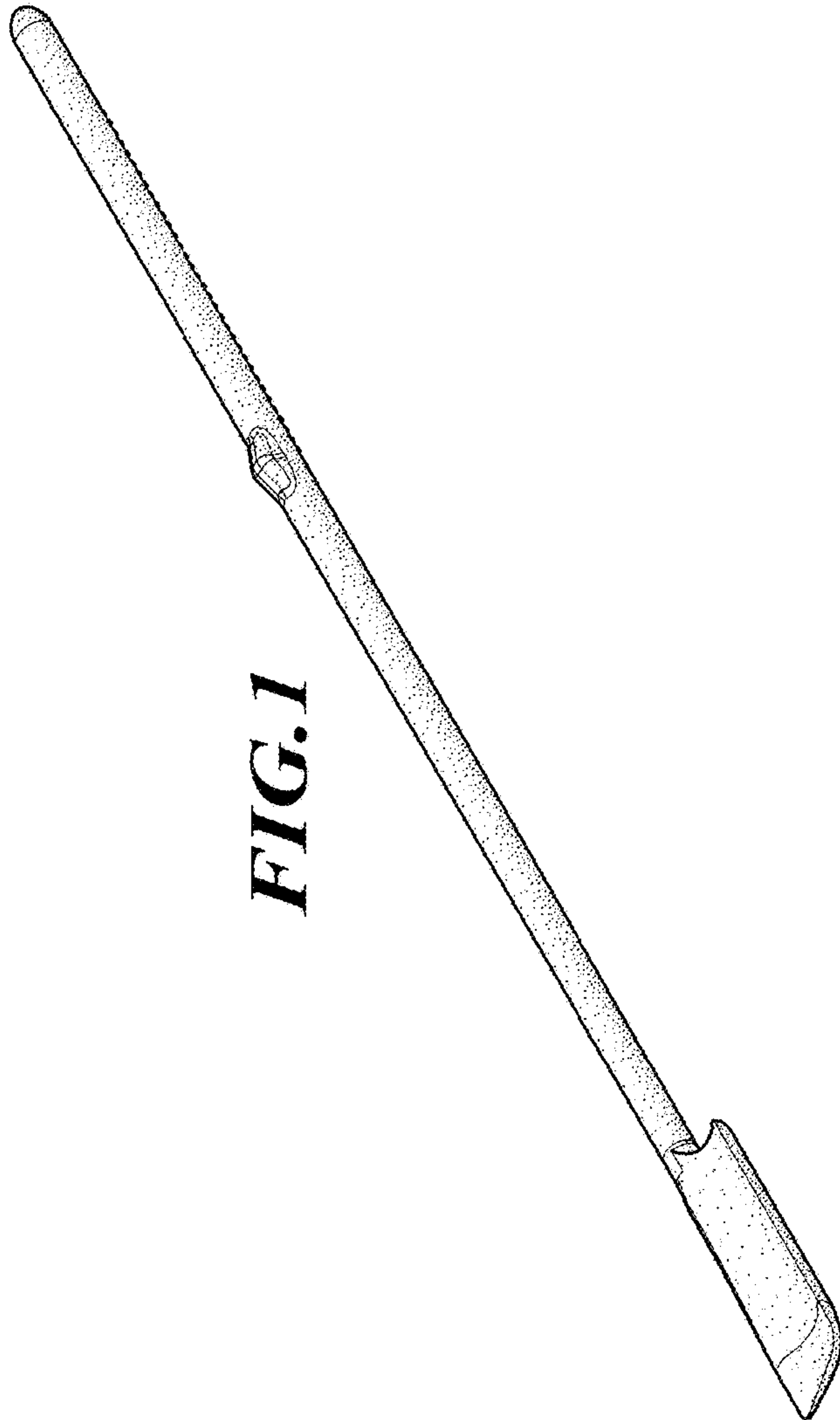




FIG. 4



FIG. 5

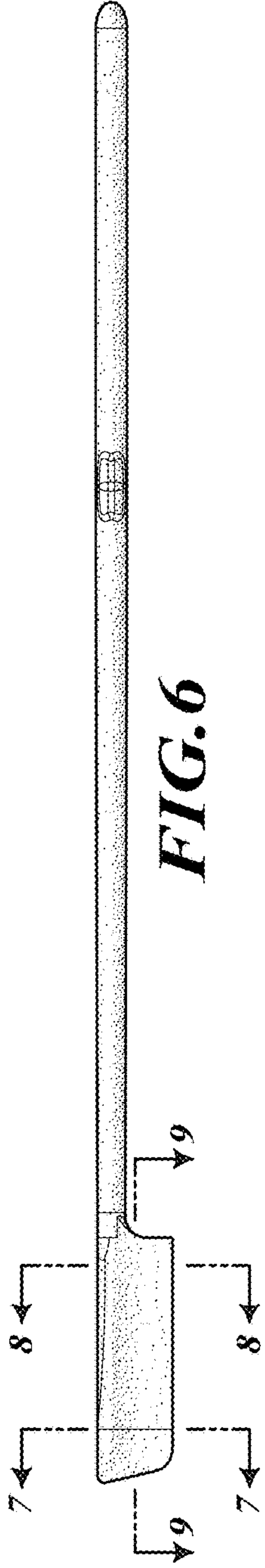


FIG. 6



FIG. 7



FIG. 8

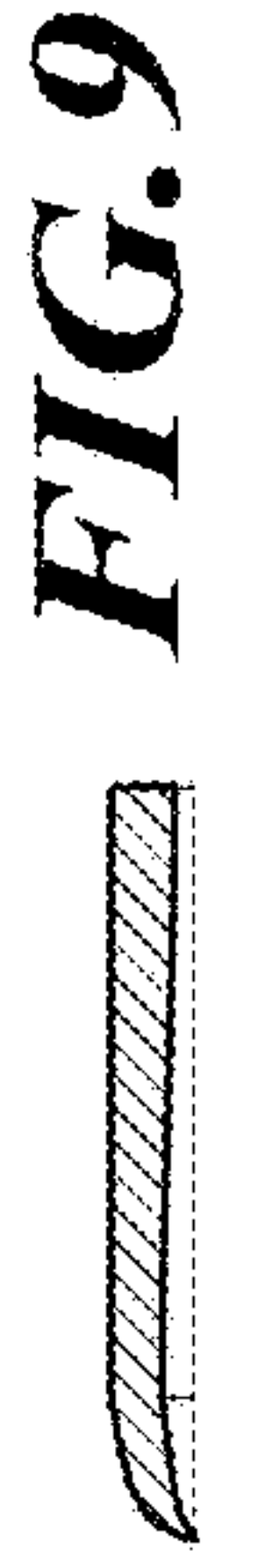


FIG. 9



FIG. 10



FIG. 11

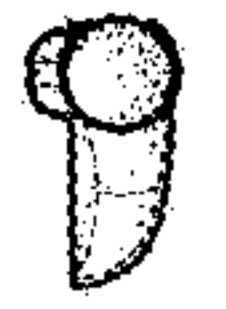


FIG. 12