



US00D833065S

(12) **United States Design Patent** (10) **Patent No.:** **US D833,065 S**
Alarcon (45) **Date of Patent:** **** Nov. 6, 2018**

- (54) **ELECTRONIC CIGARETTE PACK**
- (71) Applicant: **Fontem Holdings 4 B.V.**, Amsterdam (NL)
- (72) Inventor: **Ramon Alarcon**, Los Gatos, CA (US)
- (73) Assignee: **FONTEM HOLDINGS 4 B.V.**, Amsterdam (NL)
- (**) Term: **14 Years**
- (21) Appl. No.: **29/523,344**
- (22) Filed: **Apr. 8, 2015**

D700,994 S *	3/2014	Alarcon	D27/189
8,794,434 B2	8/2014	Scatterday et al.		
D719,701 S	12/2014	Scatterday		
9,089,166 B1	7/2015	Scatterday		
2013/0336358 A1*	12/2013	Liu	G01K 13/002 374/152
2013/0342157 A1*	12/2013	Liu	A24F 15/18 320/107
2014/0014125 A1	1/2014	Fernando et al.		
2014/0286002 A1*	9/2014	Liu	F21V 33/0004 362/154
2014/0326623 A1*	11/2014	Alarcon	A24F 15/12 206/242
2015/0128975 A1*	5/2015	Alarcon	A24F 47/008 131/329

(Continued)

Related U.S. Application Data

- (63) Continuation-in-part of application No. 13/987,315, filed on Aug. 28, 2012.
- (51) **LOC (11) Cl.** **27-06**
- (52) **U.S. Cl.**
USPC **D27/186**
- (58) **Field of Classification Search**
USPC D27/172, 183-191; D9/423; 131/329
CPC A24F 47/008; A24F 47/00; A24F 15/00;
A24F 15/005; A24F 15/12; A24F 15/20;
A24F 15/18
See application file for complete search history.

References Cited

U.S. PATENT DOCUMENTS

5,630,508 A	5/1997	Petit		
6,726,006 B1	4/2004	Funderburk et al.		
7,409,955 B2*	8/2008	Mauldin	A24F 13/20 131/233
8,016,105 B2	9/2011	Sendo		
D671,678 S *	11/2012	Wu	D27/189
8,307,834 B1*	11/2012	Palmerino, Sr.	A24F 15/005 131/270
D683,899 S *	6/2013	Liu	D13/108

FOREIGN PATENT DOCUMENTS

WO 2016075028 A1 5/2016

Primary Examiner — Janice Hallmark

(74) *Attorney, Agent, or Firm* — Dykema Gossett PLLC

(57) **CLAIM**

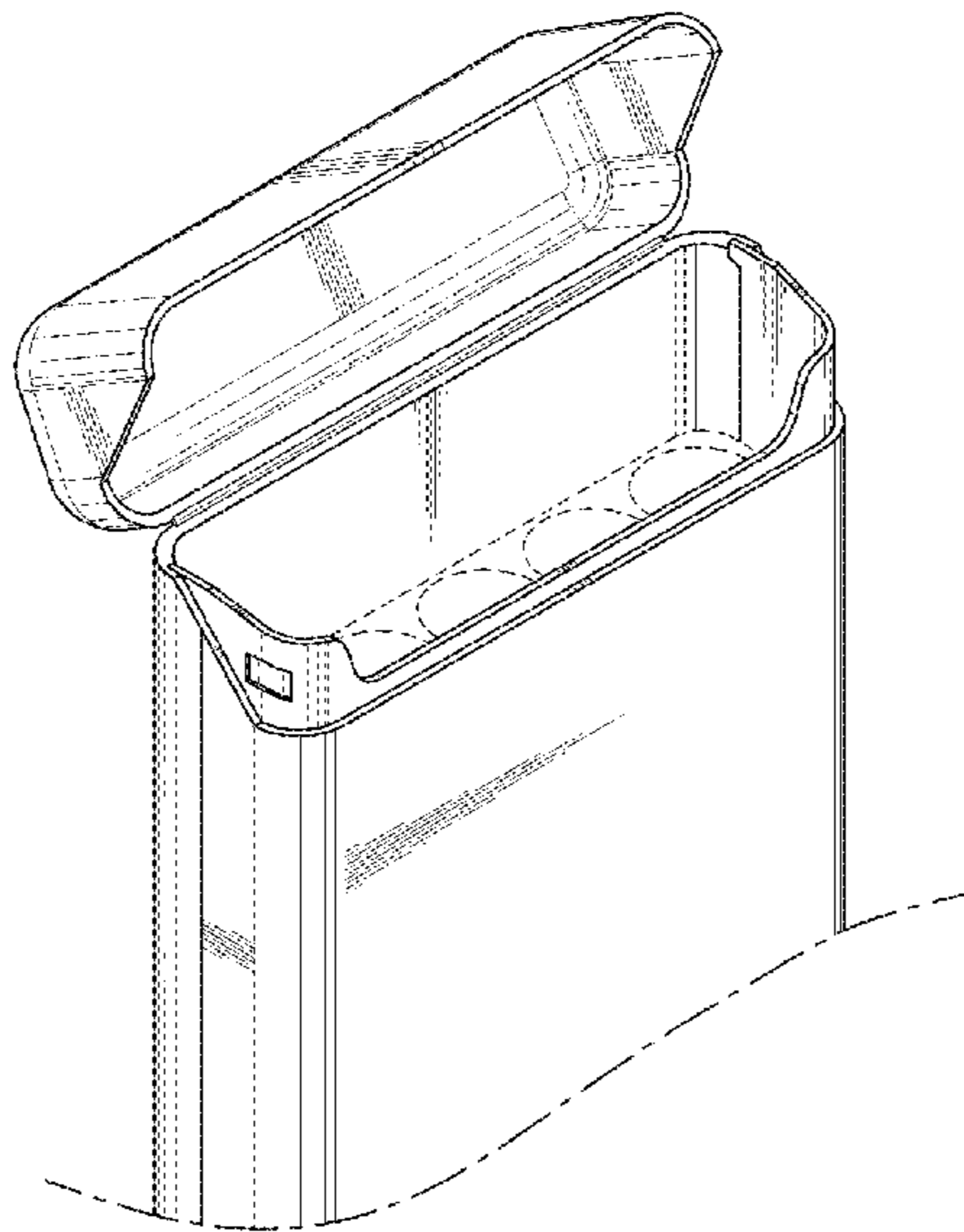
The ornamental design for an electronic cigarette pack, as shown and described.

DESCRIPTION

FIG. 1 is a perspective view of an electronic cigarette pack showing my new design;
 FIG. 2 is a front elevational view thereof;
 FIG. 3 is a right side view thereof;
 FIG. 4 is a left side view thereof; and,
 FIG. 5 is a top view thereof.

The dash-dash broken lines in the drawings depict environmental subject matter only. The dash-dot-dash broken lines depict the bounds of the claimed electronic cigarette pack. All broken lines and any surfaces of the design not shown, including interior surfaces, form no part of the claimed design.

1 Claim, 2 Drawing Sheets



(56)

References Cited

U.S. PATENT DOCUMENTS

2015/0333542 A1* 11/2015 Alarcon H02J 7/007
131/328
2016/0374390 A1* 12/2016 Liu A24F 15/18
340/870.07

* cited by examiner

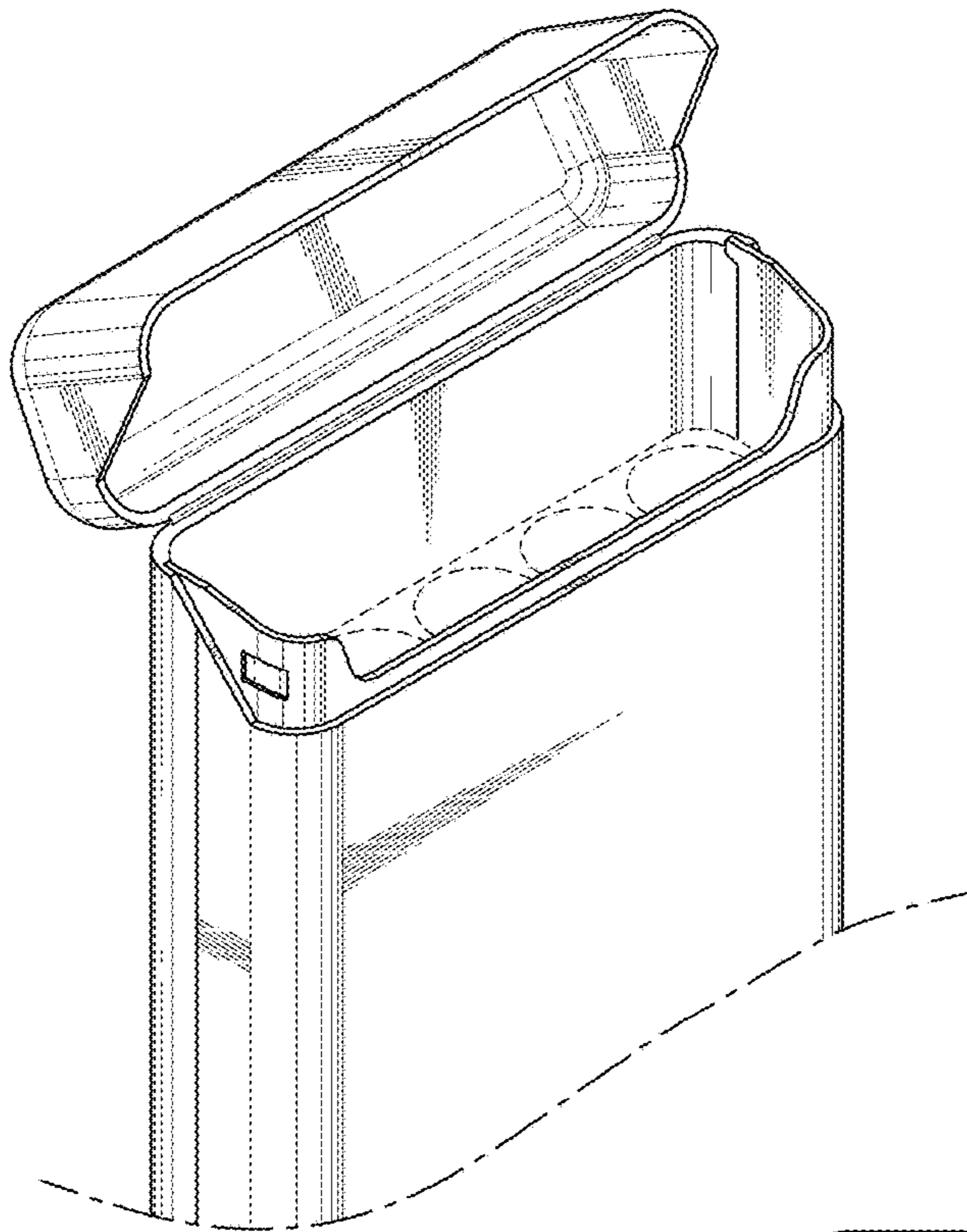


FIG. 1

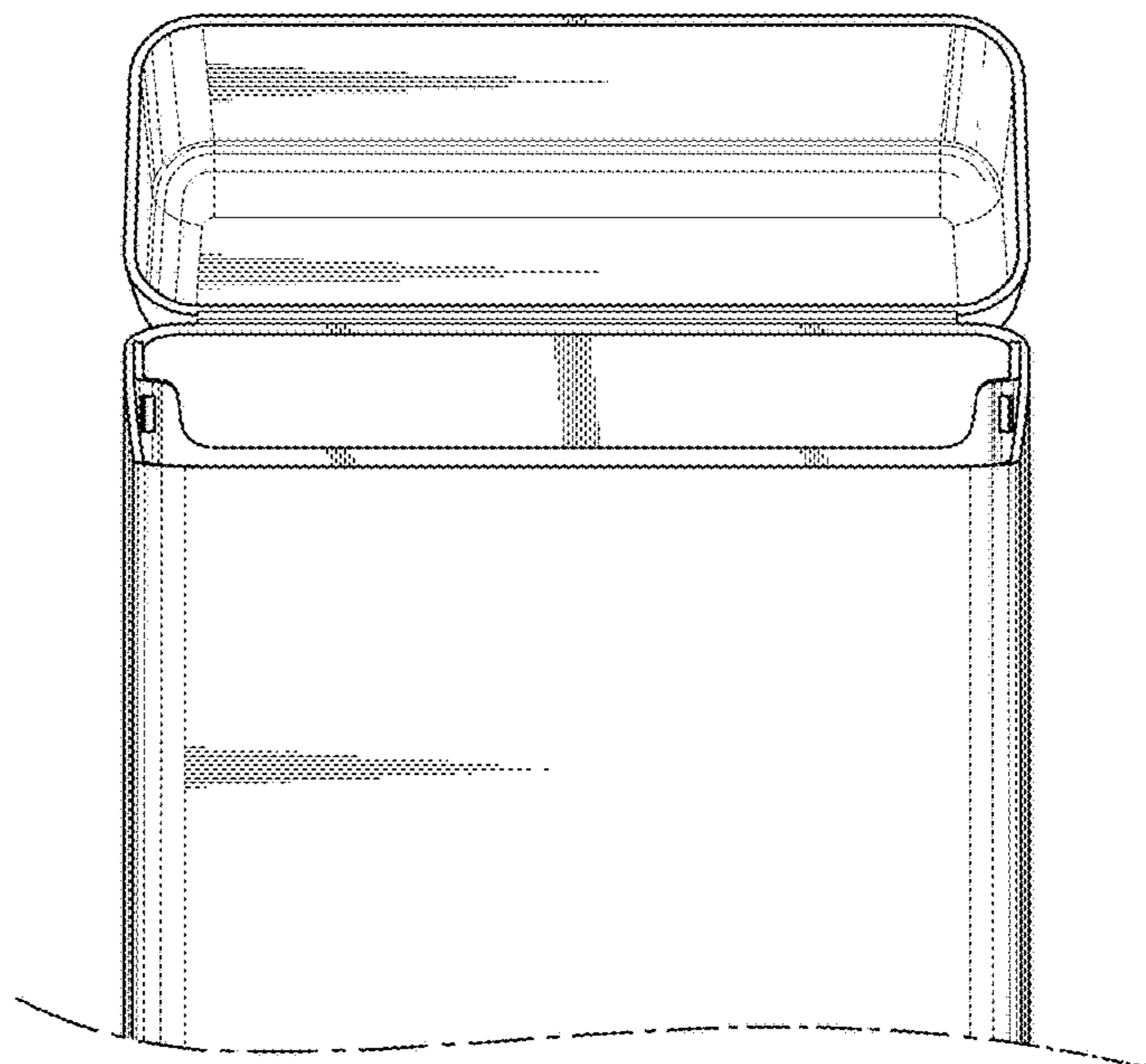


FIG. 2

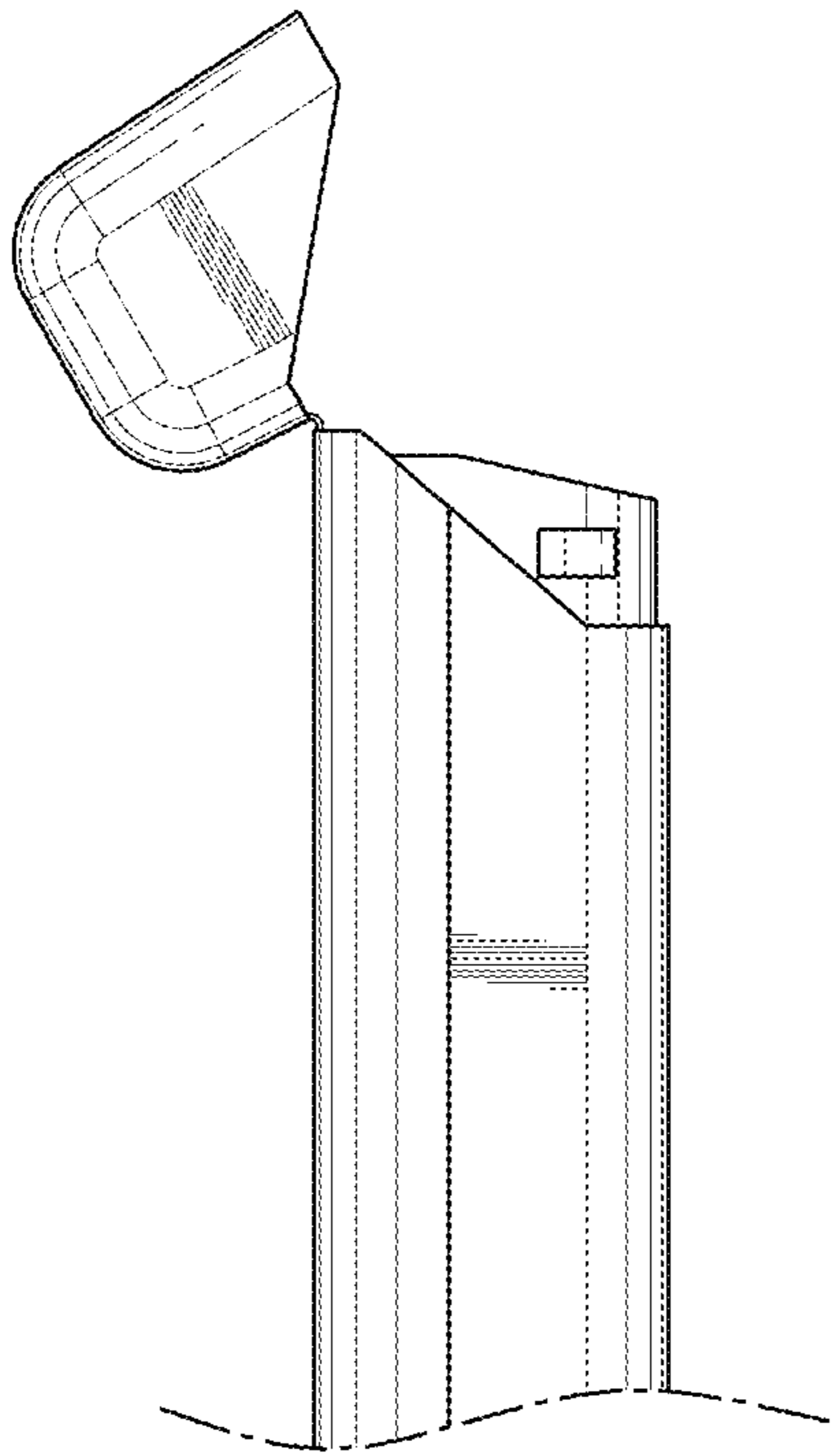


FIG. 3

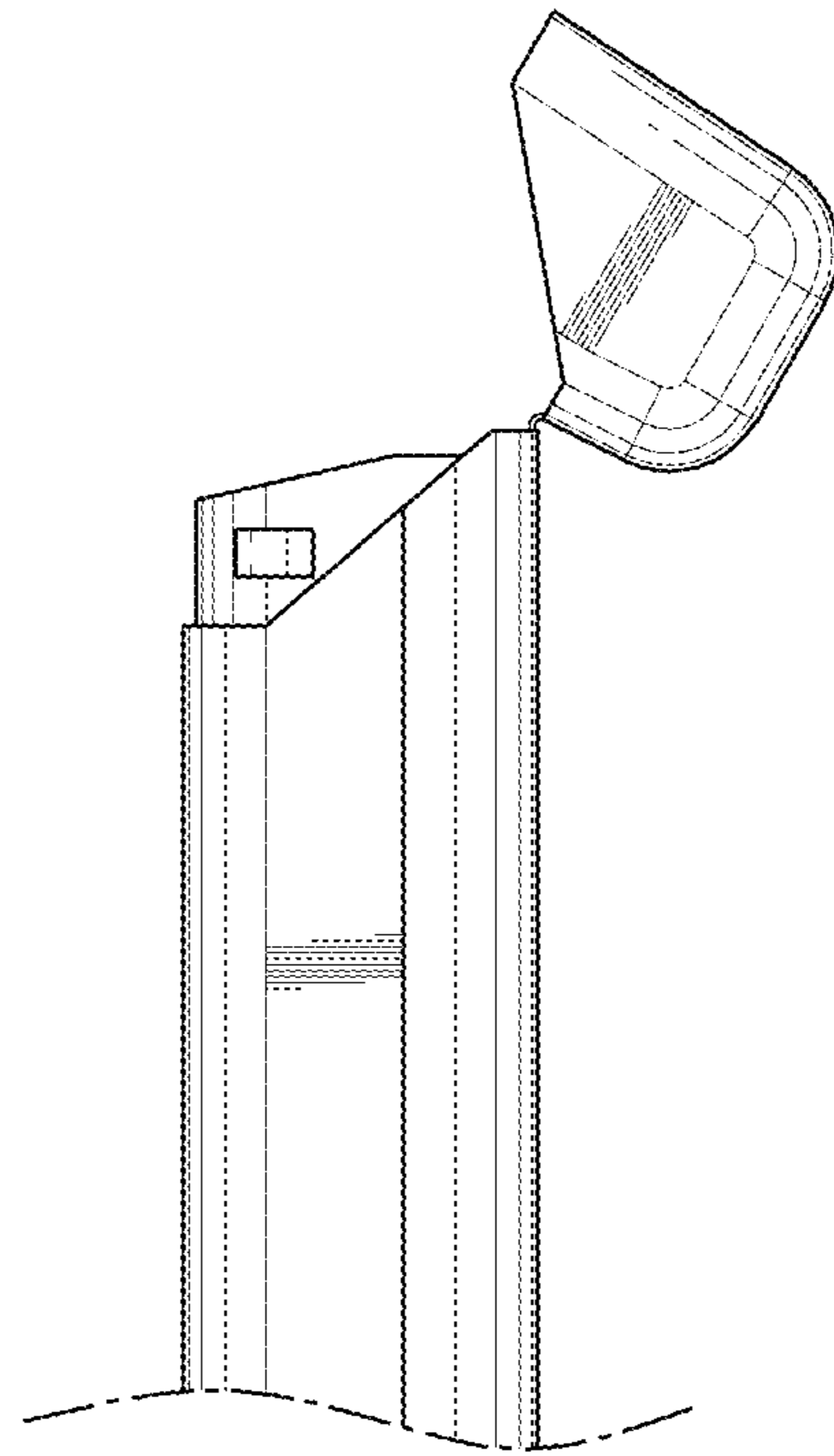


FIG. 4

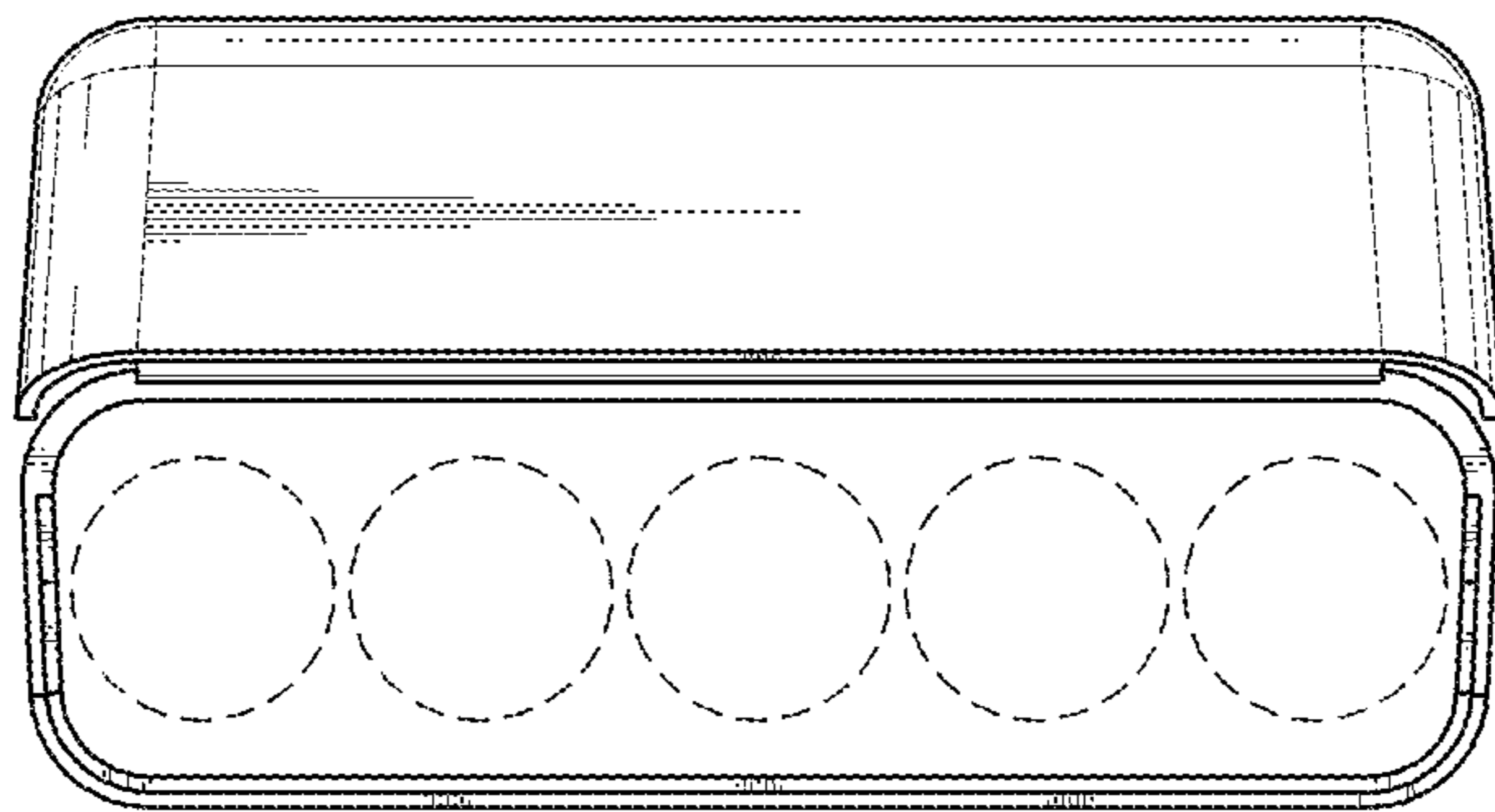


FIG. 5