



US00D833064S

(12) **United States Design Patent** (10) **Patent No.:** **US D833,064 S**
Verleur et al. (45) **Date of Patent:** **** Nov. 6, 2018**

(54) **CARTRIDGE FOR A VAPORIZER**
(71) Applicant: **VMR Products LLC**, Miami, FL (US)
(72) Inventors: **Jan Andries Verleur**, Miami, FL (US); **Dan Recio**, Miami Beach, FL (US); **Zhiyuan Liu**, Miami, FL (US); **Hans Verleur**, El Dorado, CA (US)
(73) Assignee: **VMR Products, LLC**, Miami, FL (US)
(**) Term: **15 Years**
(21) Appl. No.: **29/615,503**
(22) Filed: **Aug. 29, 2017**
(51) **LOC (11) Cl.** **27-06**
(52) **U.S. Cl.**
USPC **D27/172**
(58) **Field of Classification Search**
USPC D27/100, 101, 106, 108, 162, 163, 165,
D27/167, 169, 172, 174, 175, 183,
(Continued)

(56) **References Cited**
U.S. PATENT DOCUMENTS
D509,623 S * 9/2005 Mitten D27/189
D594,596 S * 6/2009 Mitten D27/189
(Continued)

Primary Examiner — Susan Bennett Hattan
Assistant Examiner — Rebecca Tsehaye
(74) *Attorney, Agent, or Firm* — Hillyer Legal

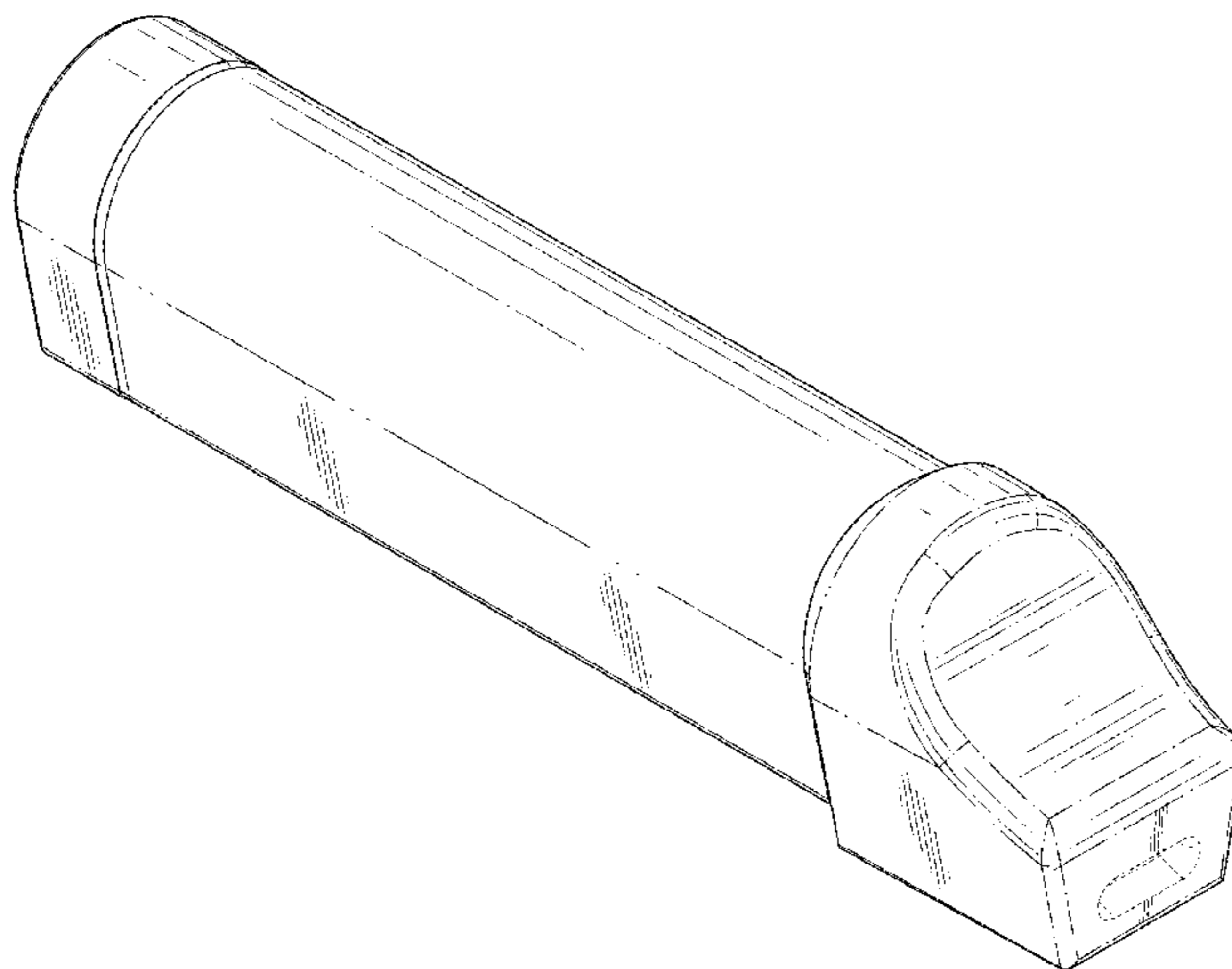
(57) **CLAIM**
The ornamental design for a cartridge for a vaporizer, as shown and described.

DESCRIPTION

FIG. 1 is a first perspective view of a cartridge for a vaporizer showing our new design with a cap in a closed position;

FIG. 2 is a second perspective view of the cartridge for a vaporizer of FIG. 1 showing the cap in the closed position; FIG. 3 is a front elevational view of the cartridge for a vaporizer of FIG. 1 showing the cap in the closed position; FIG. 4 is a bottom plan view of the cartridge for a vaporizer of FIG. 1 showing the cap in the closed position; FIG. 5 is a top plan view of the cartridge for a vaporizer of FIG. 1 showing the cap in the closed position; FIG. 6 is a rear elevational view of the cartridge for a vaporizer of FIG. 1 showing the cap in the closed position; FIG. 7 is a left elevational view of the cartridge for a vaporizer of FIG. 1 showing the cap in the closed position; FIG. 8 is a right elevational view of the cartridge for a vaporizer of FIG. 1 showing the cap in the closed position; FIG. 9 is an exploded perspective view of the cartridge for a vaporizer of FIG. 1; FIG. 10 is a third perspective view of the cartridge for a vaporizer of FIG. 1 showing the cap in an open position; FIG. 11 is a second perspective view of the cartridge for a vaporizer of FIG. 1 showing the cap in the open position; FIG. 12 is a front elevational view of the cartridge for a vaporizer of FIG. 1 showing the cap in the open position; FIG. 13 is a bottom plan view of the cartridge for a vaporizer of FIG. 1 showing the cap in the open position; FIG. 14 is a top plan view of the cartridge for a vaporizer of FIG. 1 showing the cap in the open position; FIG. 15 is a rear elevational view of the cartridge for a vaporizer of FIG. 1 showing the cap in the open position; FIG. 16 is a left elevational view of the cartridge for a vaporizer of FIG. 1 showing the cap in the open position; and, FIG. 17 is a right elevational view of the cartridge for a vaporizer of FIG. 1 showing the cap in the open position. The broken lines are directed to environment and are for illustrative purposes only; the broken lines form no part of the claimed design.

1 Claim, 11 Drawing Sheets



(58) **Field of Classification Search**

USPC D27/186–190, 193, 195; D24/110, 110.5;
D14/218; D23/360; 131/273, 274, 191,
131/330, 329, 328; 128/202.21, 203.12,
128/203.13

CPC A24F 47/002; A24F 47/004; A24F 47/006;
A24F 47/008; A61M 15/06

See application file for complete search history.

(56) **References Cited**

U.S. PATENT DOCUMENTS

8,397,714 B2 * 3/2013 Pearson A61M 15/009
128/200.14
D718,492 S * 11/2014 Albanese D27/101
D725,821 S * 3/2015 Levin D27/101
D752,284 S * 3/2016 Doster D27/189
D759,303 S * 6/2016 Afridi D27/101
D763,502 S * 8/2016 Verleur D27/167
D769,519 S * 10/2016 Chen D27/101
D776,337 S * 1/2017 Levin D27/101
D786,497 S * 5/2017 Sudlow D27/162
D799,113 S * 10/2017 Qiu D27/101
D799,743 S * 10/2017 Qiu D27/101
D800,383 S * 10/2017 Verleur D27/167
D813,447 S * 3/2018 Watson D27/162
2018/0160737 A1 * 6/2018 Verleur A24F 47/008

* cited by examiner

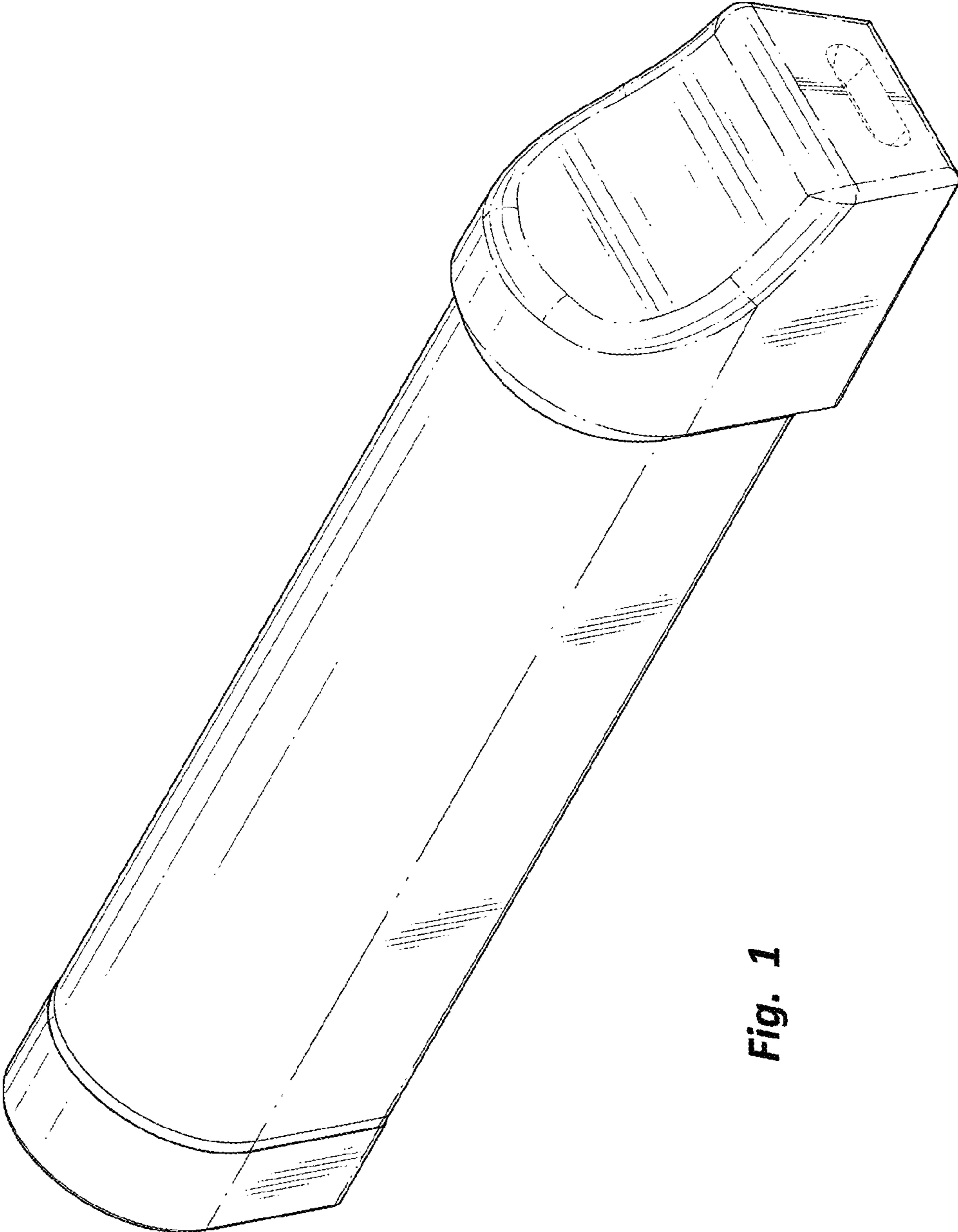


Fig. 1

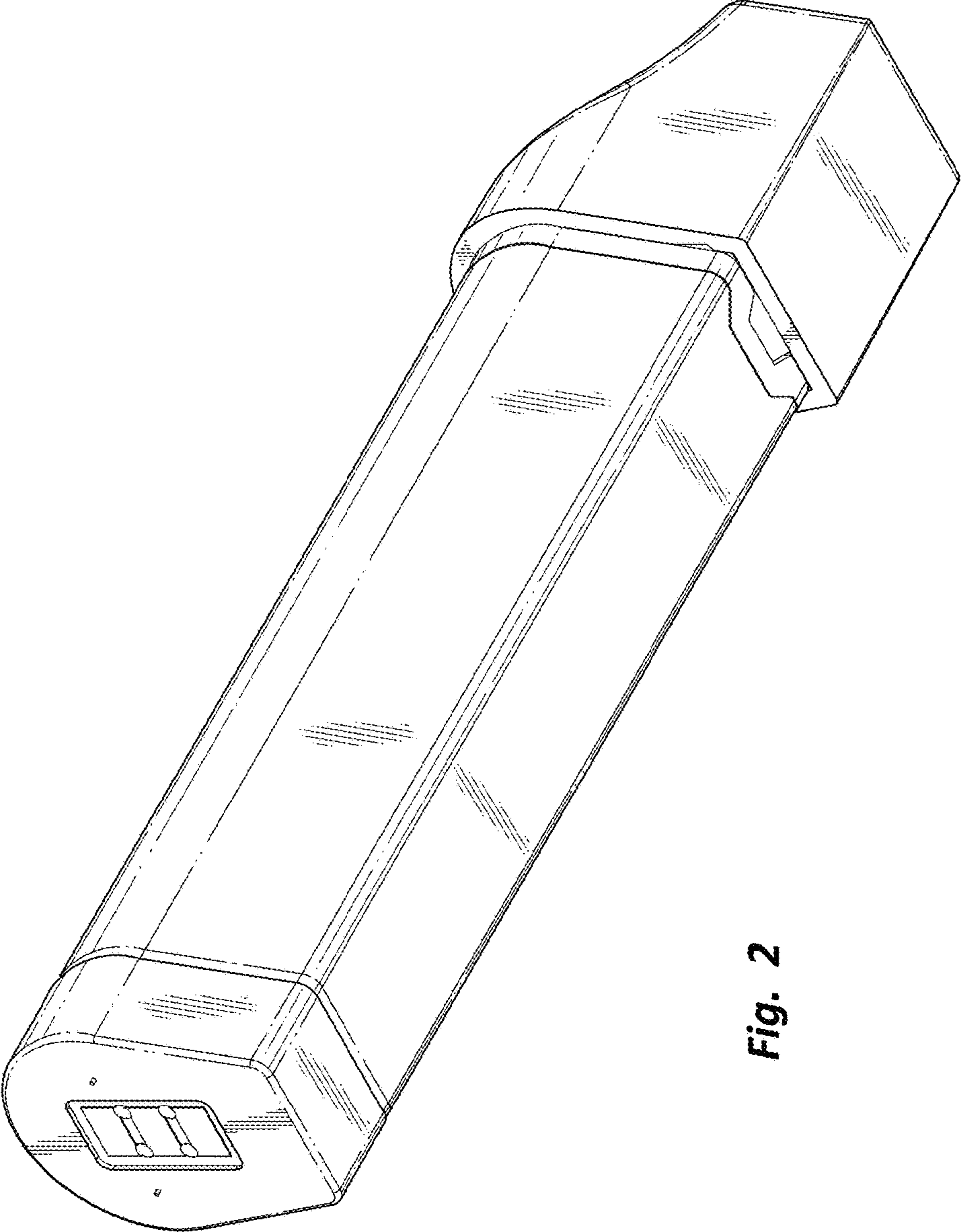


Fig. 2

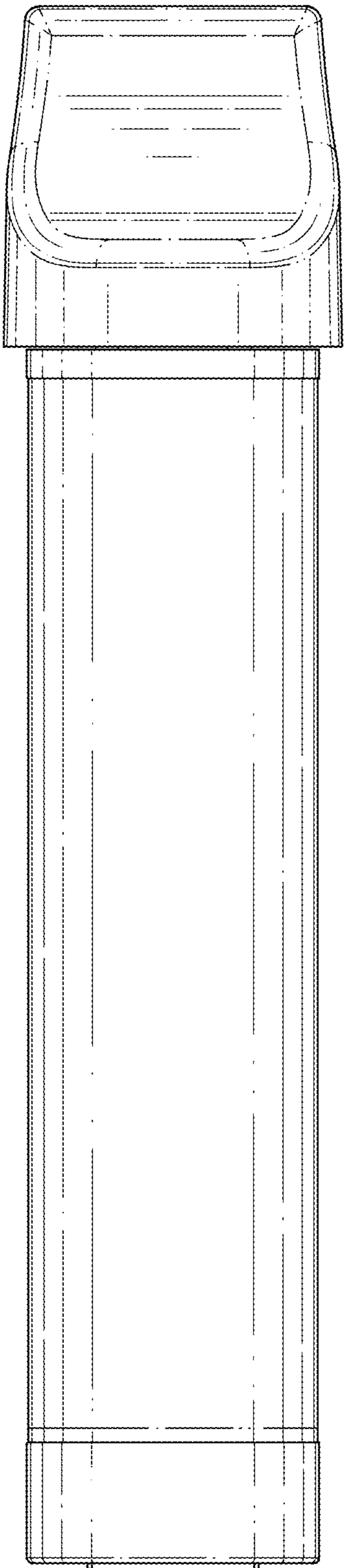


Fig. 3

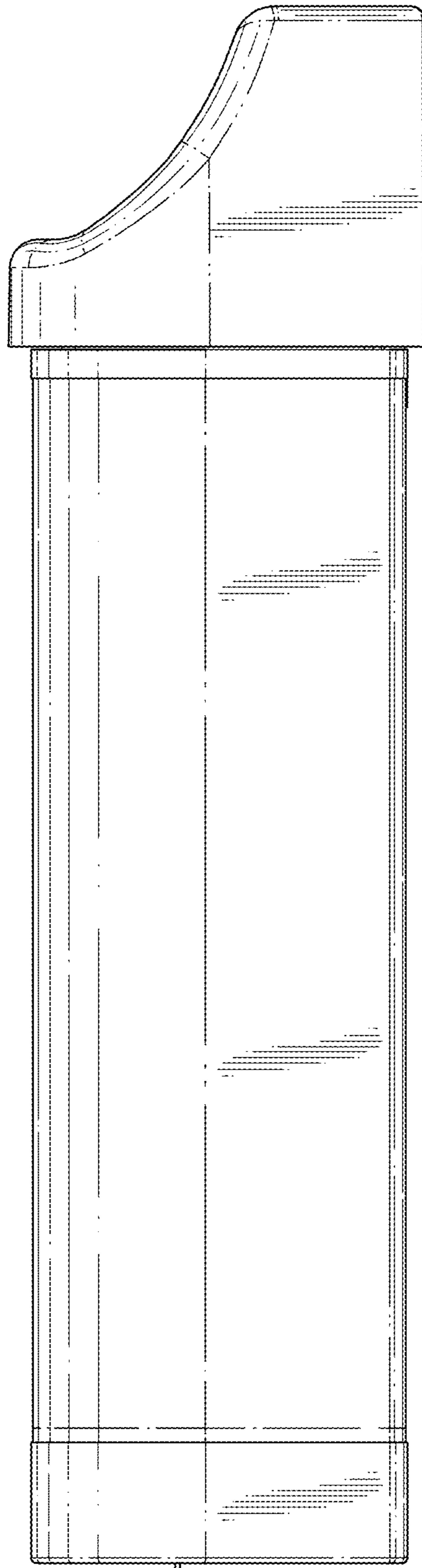


Fig. 4

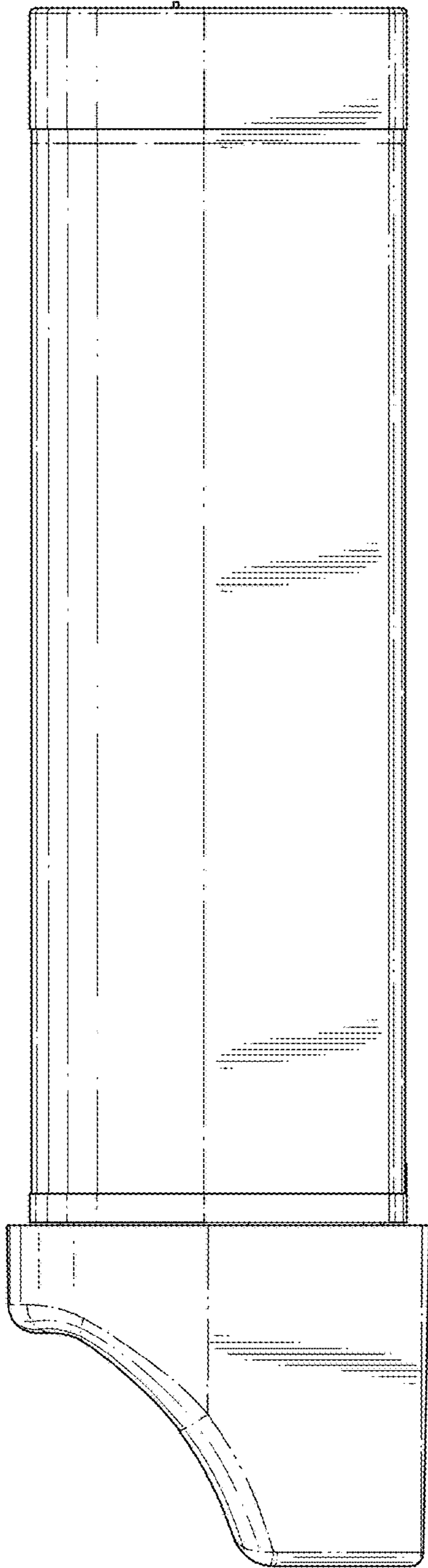


Fig. 5

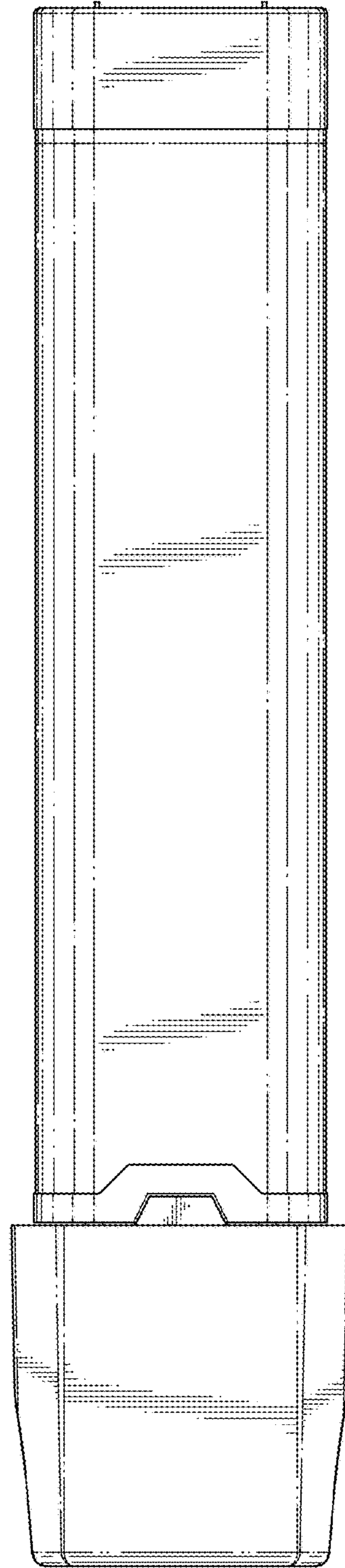


Fig. 6

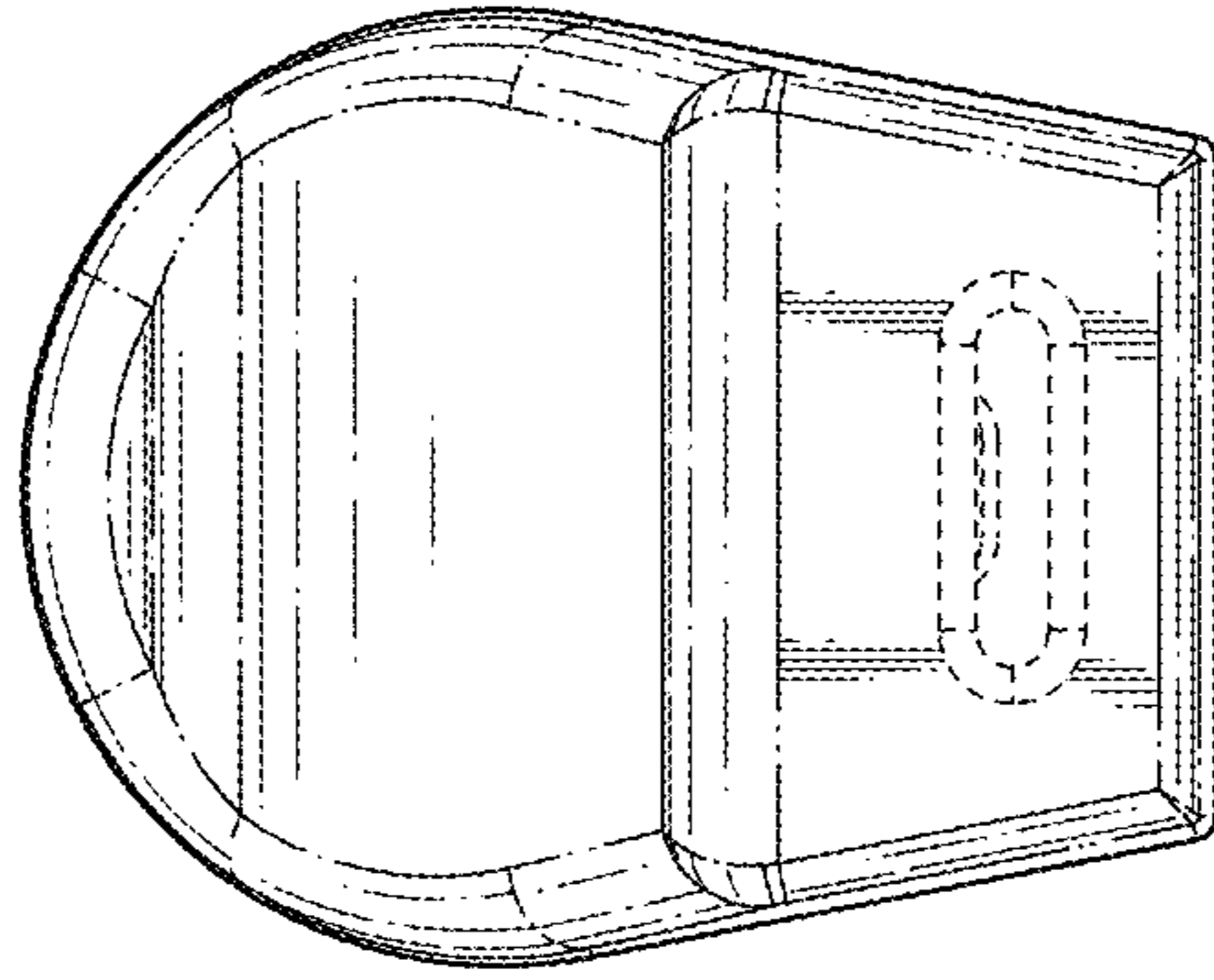


Fig. 8

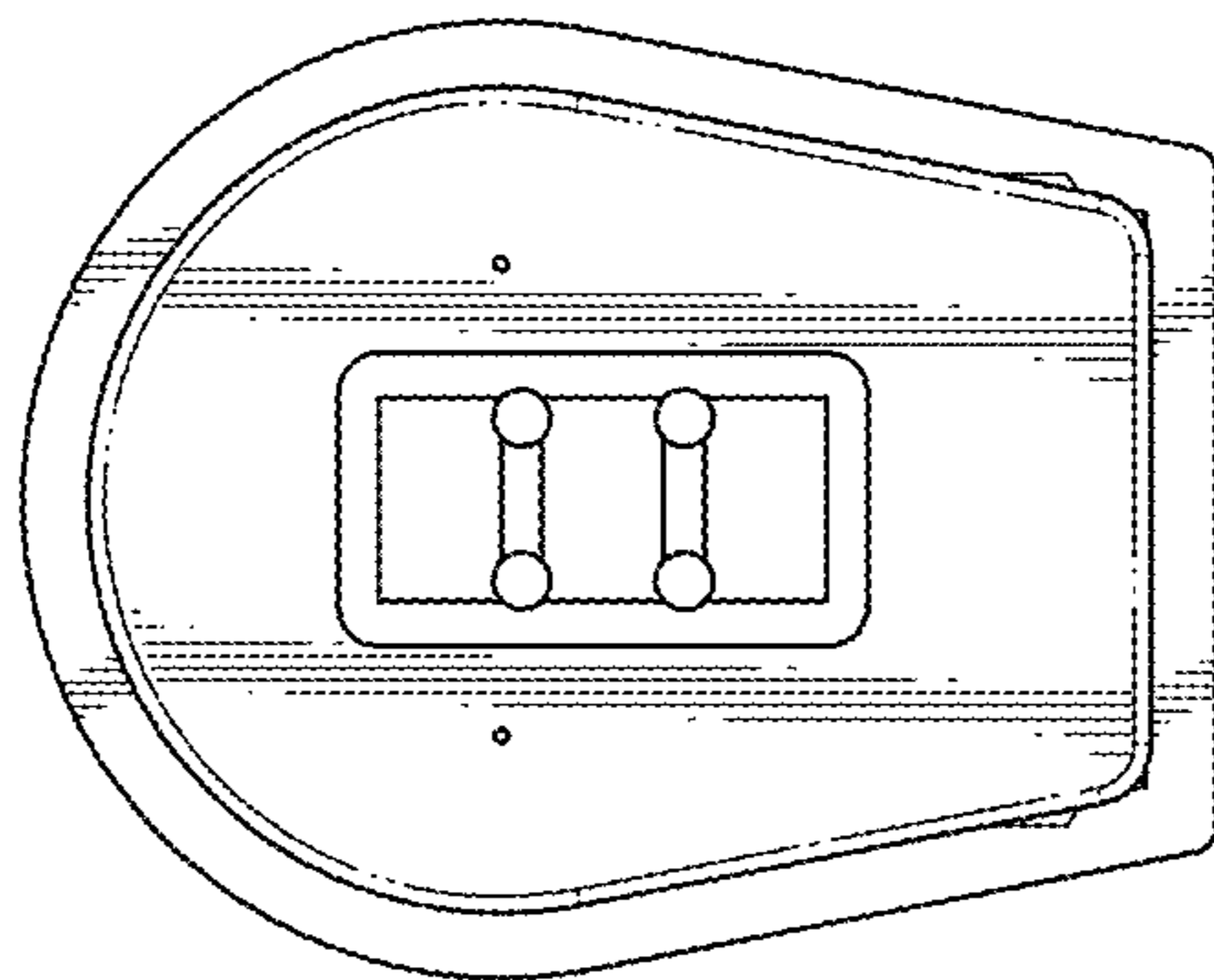


Fig. 7

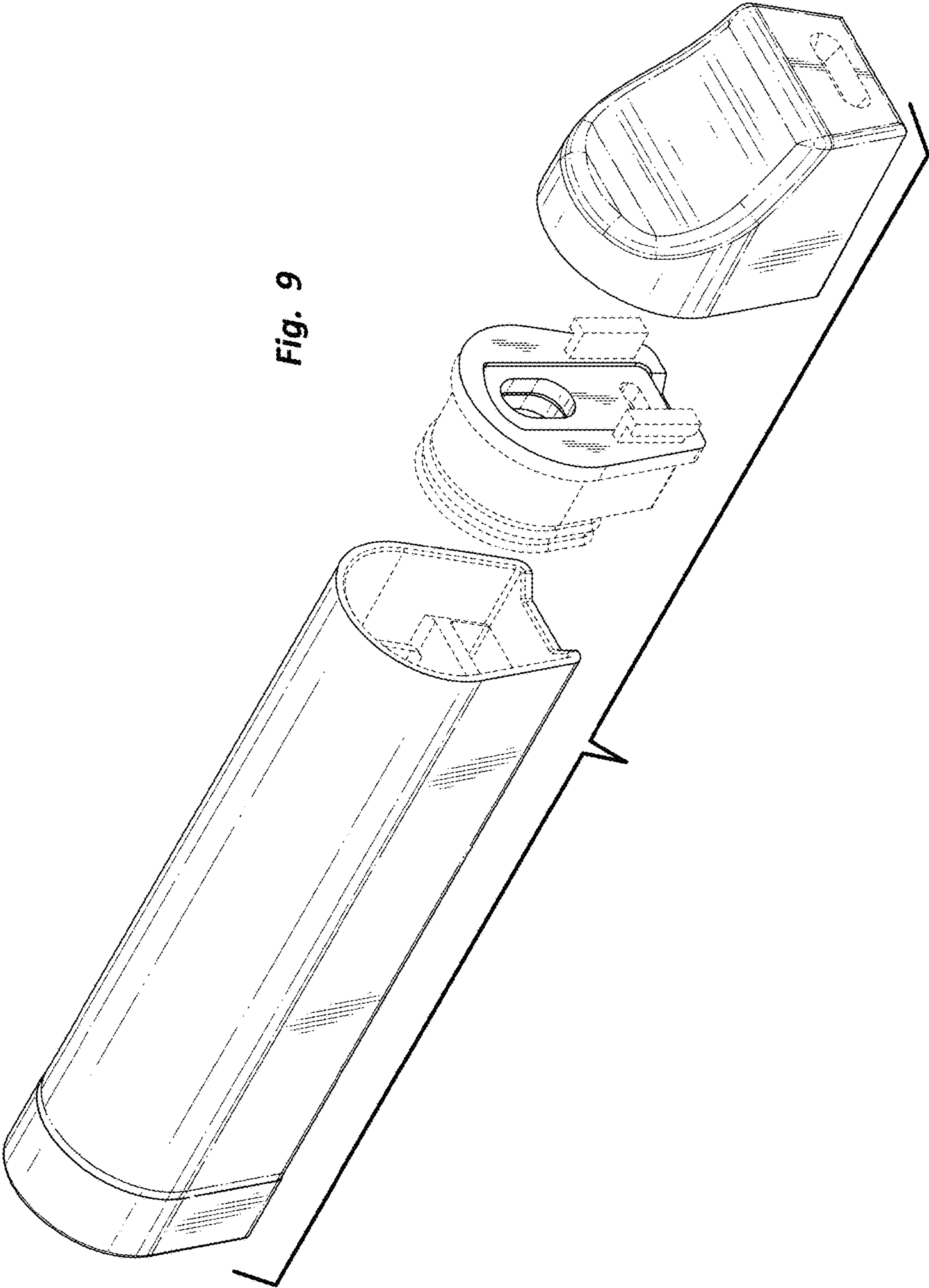


Fig. 9

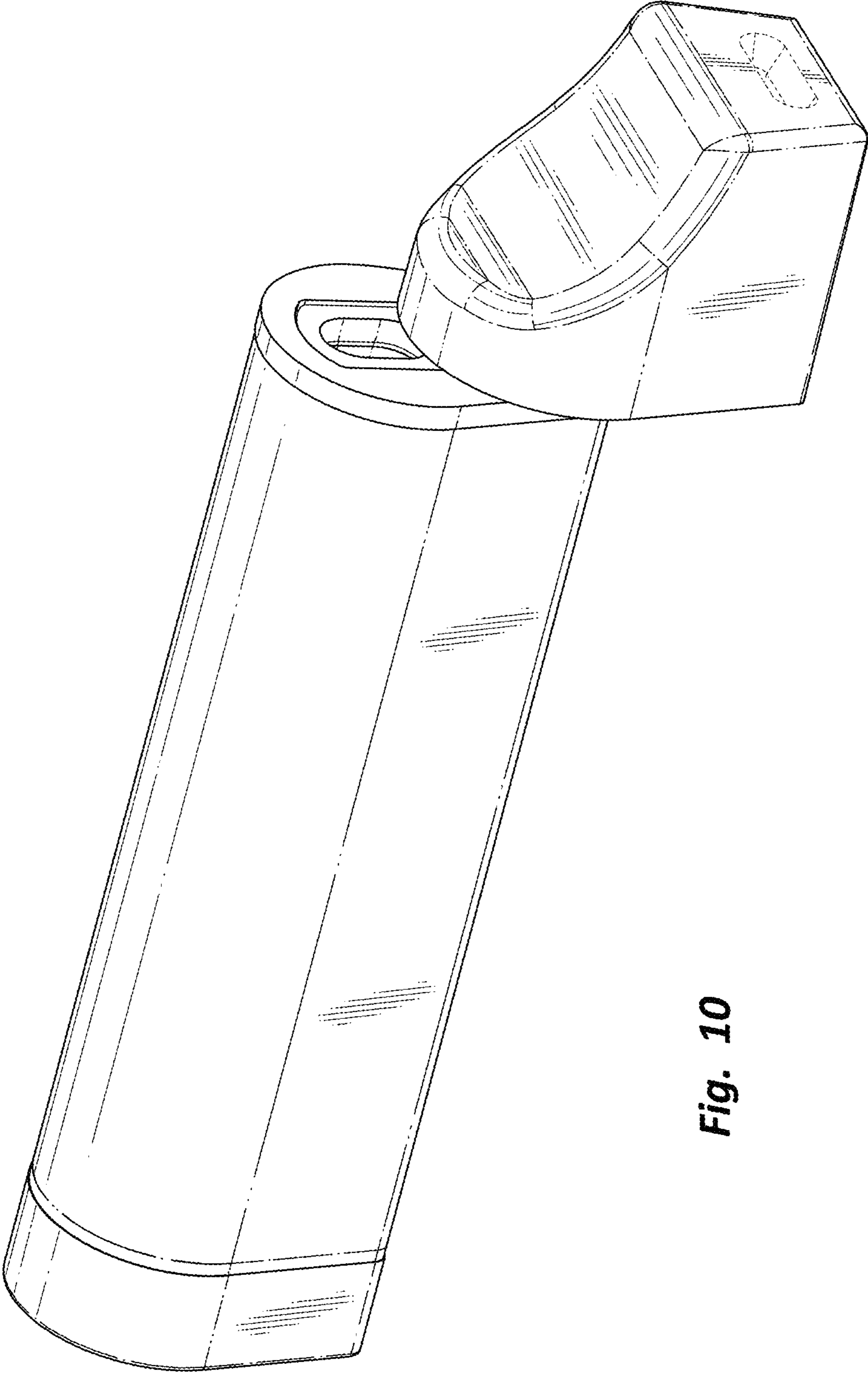


Fig. 10

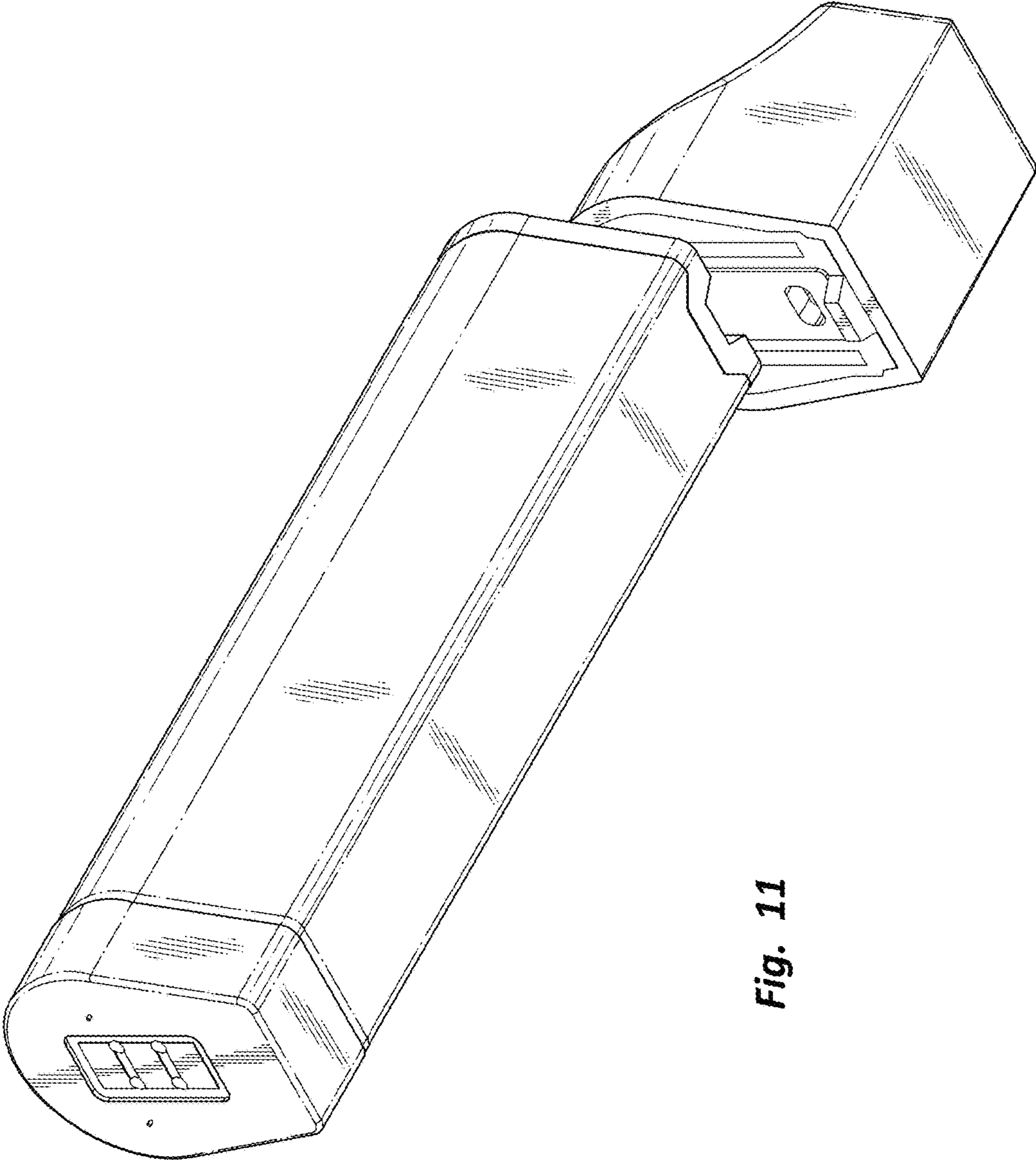


Fig. 11

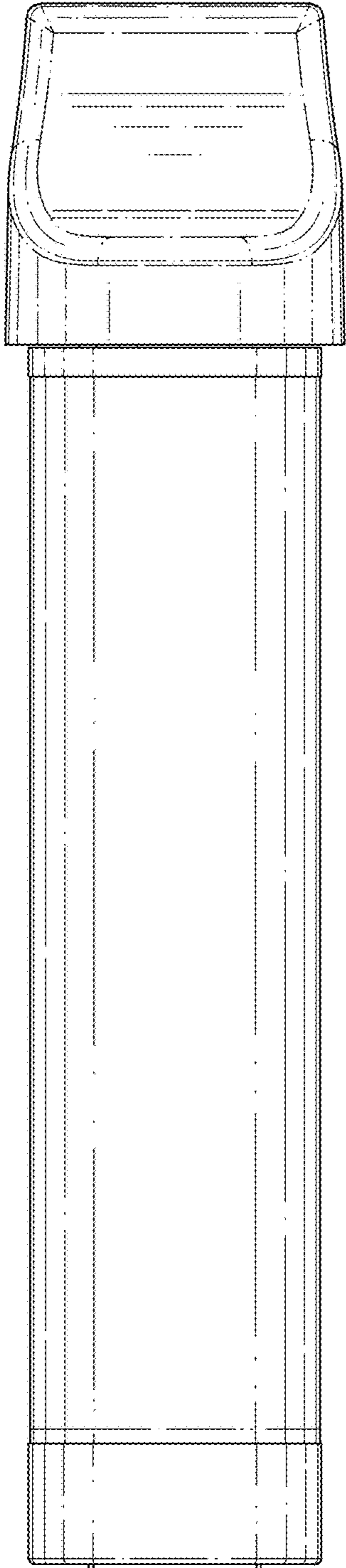


Fig. 12

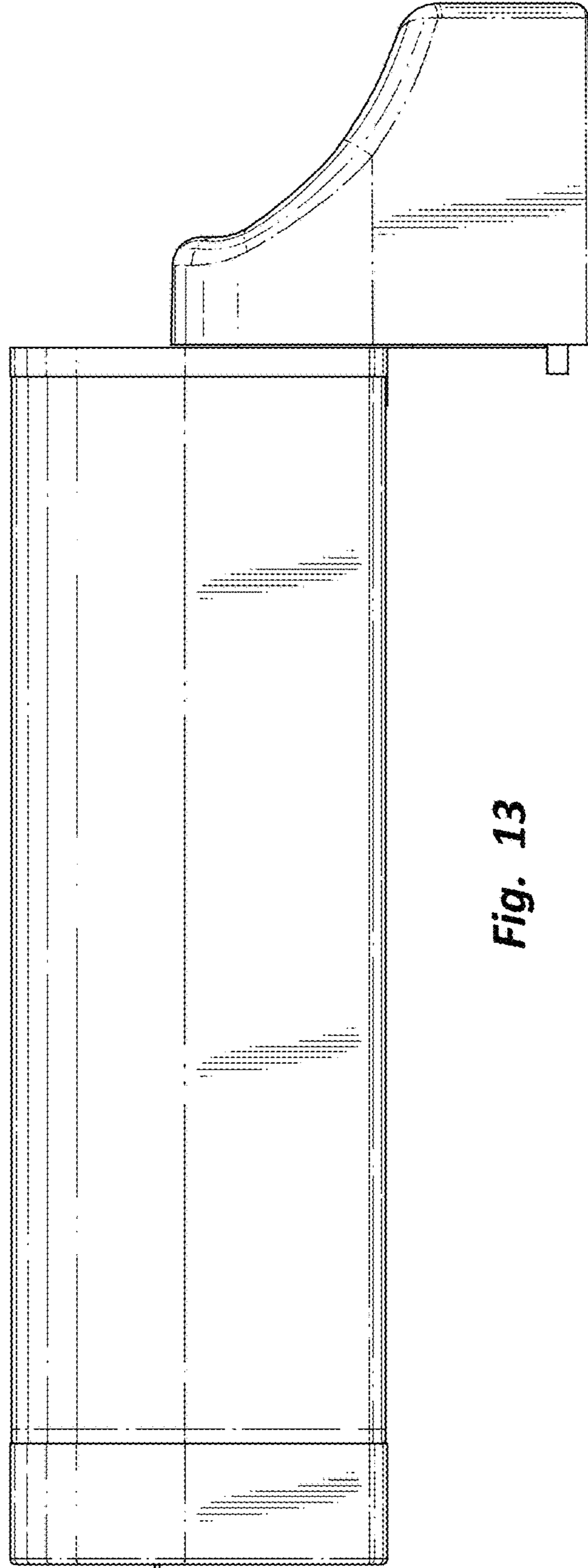


Fig. 13

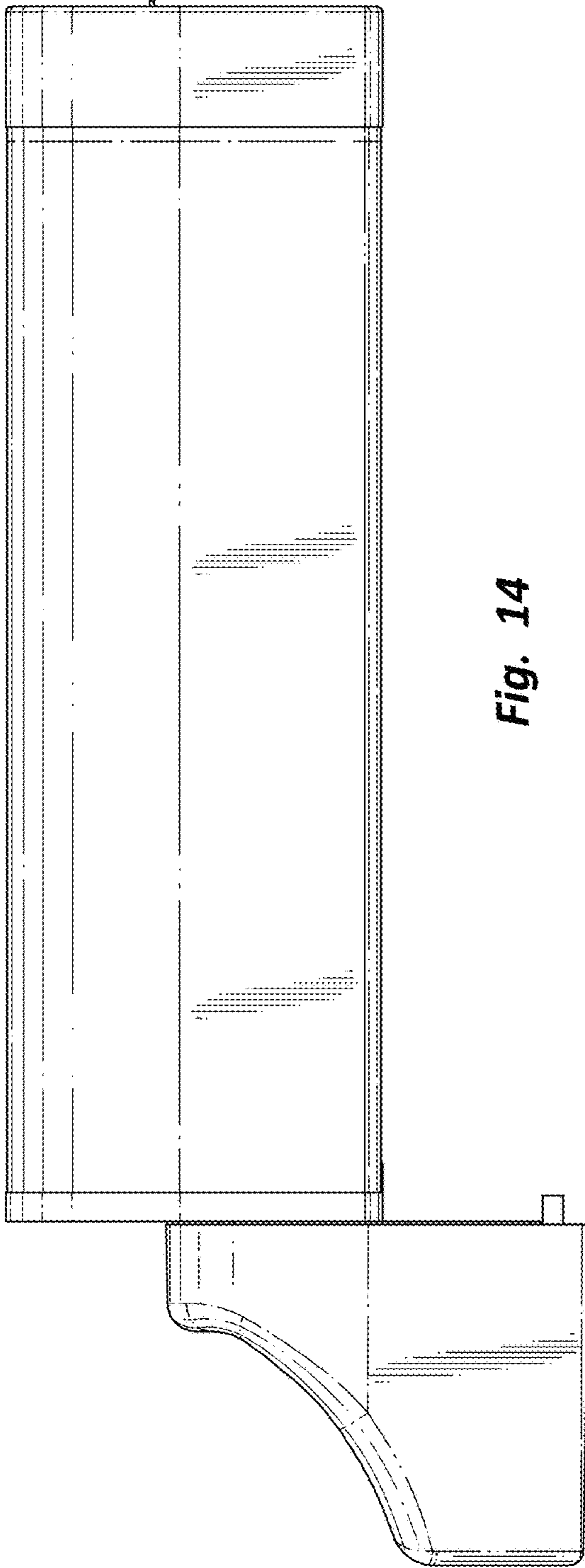


Fig. 14

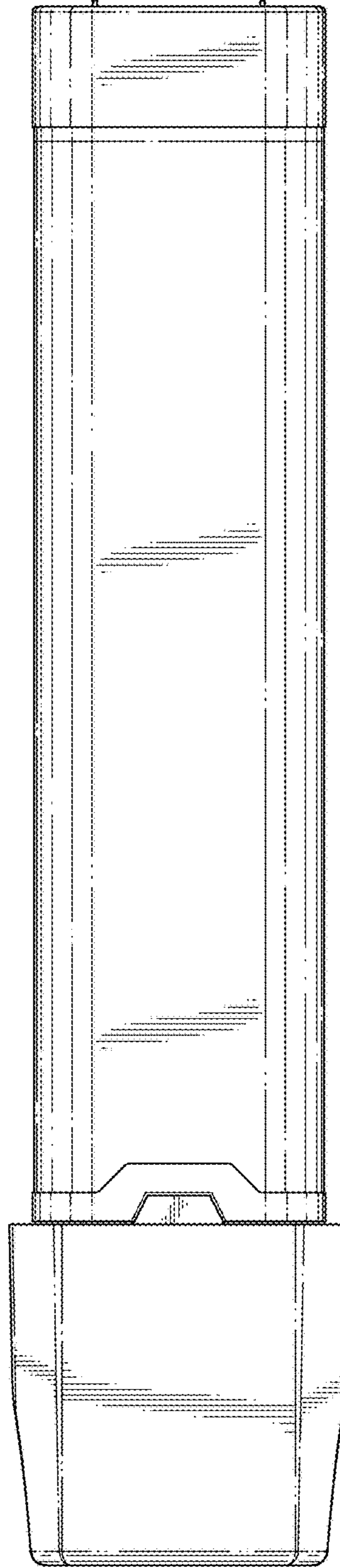


Fig. 15

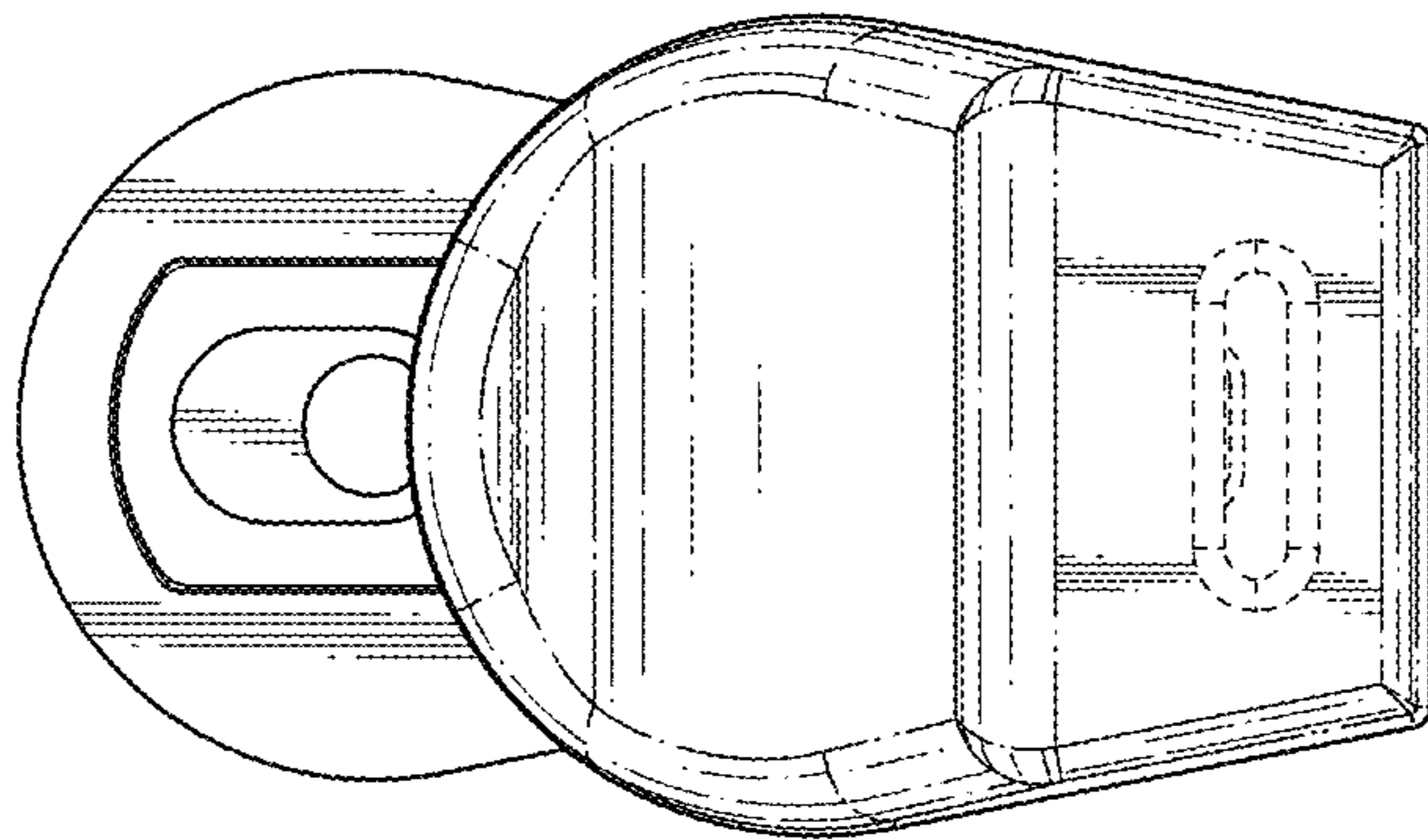


Fig. 17

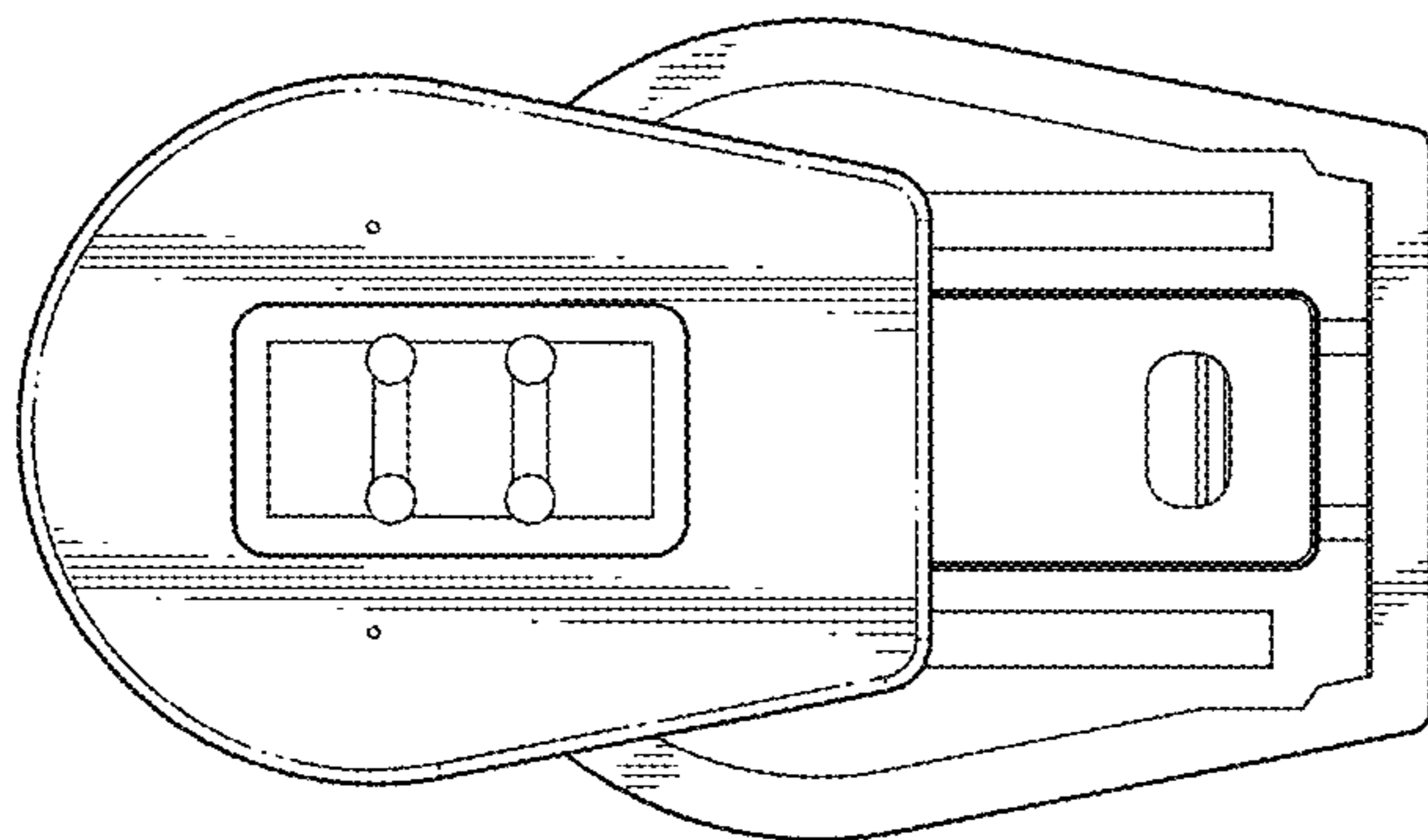


Fig. 16