



US00D833058S

(12) **United States Design Patent** (10) **Patent No.:** **US D833,058 S**
Smith (45) **Date of Patent:** **** Nov. 6, 2018**

(54) **LAMP**
(71) Applicant: **Donald Keith Smith**, Prosper, TX (US)
(72) Inventor: **Donald Keith Smith**, Prosper, TX (US)
(**) Term: **15 Years**
(21) Appl. No.: **29/580,532**
(22) Filed: **Oct. 11, 2016**
(51) **LOC (11) Cl.** **26-03**
(52) **U.S. Cl.**
USPC **D26/94**
(58) **Field of Classification Search**
USPC D26/85, 94, 125; D29/106, 111;
D11/157
CPC F21S 8/03; F21S 8/031; F21S 8/033; F21S
8/036; F21S 9/03; F21S 9/037; F21V
21/025; F21V 17/08; F21V 17/10; A63B
71/081
See application file for complete search history.

D441,904 S * 5/2001 Westphal D26/94
D488,883 S * 4/2004 Davis D26/94
D551,376 S * 9/2007 Nunes D26/94
D575,434 S * 8/2008 Nunes D26/85
D712,782 S * 9/2014 Modderman D26/94

* cited by examiner

Primary Examiner — Brian N. Vinson
(74) *Attorney, Agent, or Firm* — Lightfoot & Alford
PLLC

(57) **CLAIM**

The ornamental design for the lamp, as shown and described.

DESCRIPTION

FIG. 1 is an oblique front-left-top view of a lamp according to this disclosure.
FIG. 2 is an orthogonal front view of the lamp of FIG. 1.
FIG. 3 is an orthogonal rear view of the lamp of FIG. 1.
FIG. 4 is an orthogonal right view of the lamp of FIG. 1.
FIG. 5 is an orthogonal left view of the lamp of FIG. 1.
FIG. 6 is an orthogonal top view of the lamp of FIG. 1.
FIG. 7 is an orthogonal bottom view of the lamp of FIG. 1.
FIG. 8 is an oblique front-right-bottom view of the lamp of FIG. 1; and,
FIG. 9 is an oblique rear-right-bottom view of the lamp of FIG. 1.

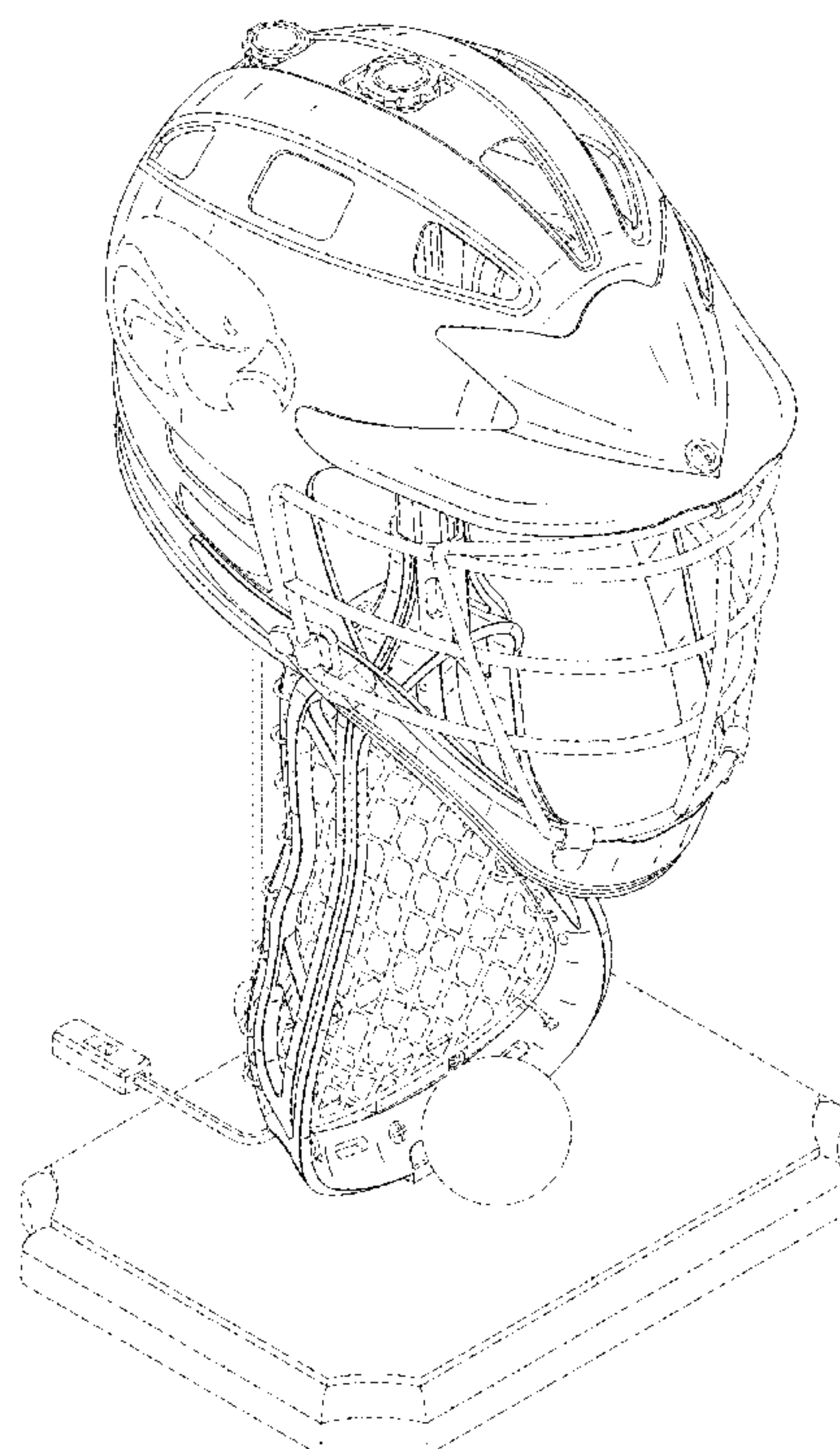
The broken lines shown in the drawings are provided to show visible environmental structure, namely, fastening hardware, logos, face mask components, netting, electrical lighting system components, a ball, and a base stand, which form no part of the claimed design.

1 Claim, 9 Drawing Sheets

(56) **References Cited**

U.S. PATENT DOCUMENTS

4,068,323 A * 1/1978 Gwon A63B 71/081
2/413
D257,073 S * 9/1980 Jenkins D29/106
D257,698 S * 12/1980 Skottheim D29/111
D289,694 S * 5/1987 Pickett, Jr. D11/157
D321,845 S * 11/1991 Nys D11/157
D355,394 S * 2/1995 Bezener D11/157
D370,547 S * 6/1996 Moss D26/94
D375,810 S * 11/1996 Ham D26/125



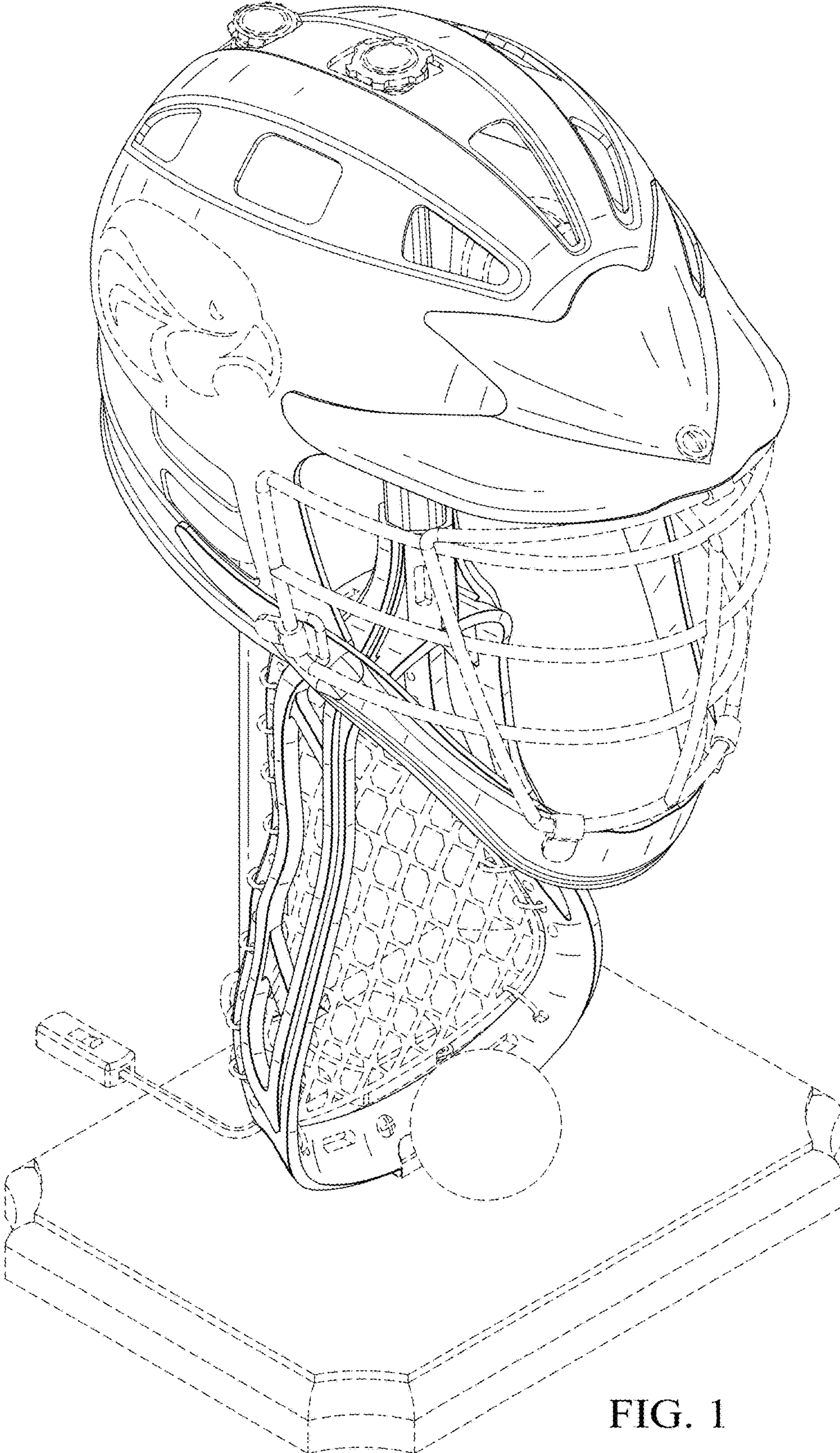


FIG. 1

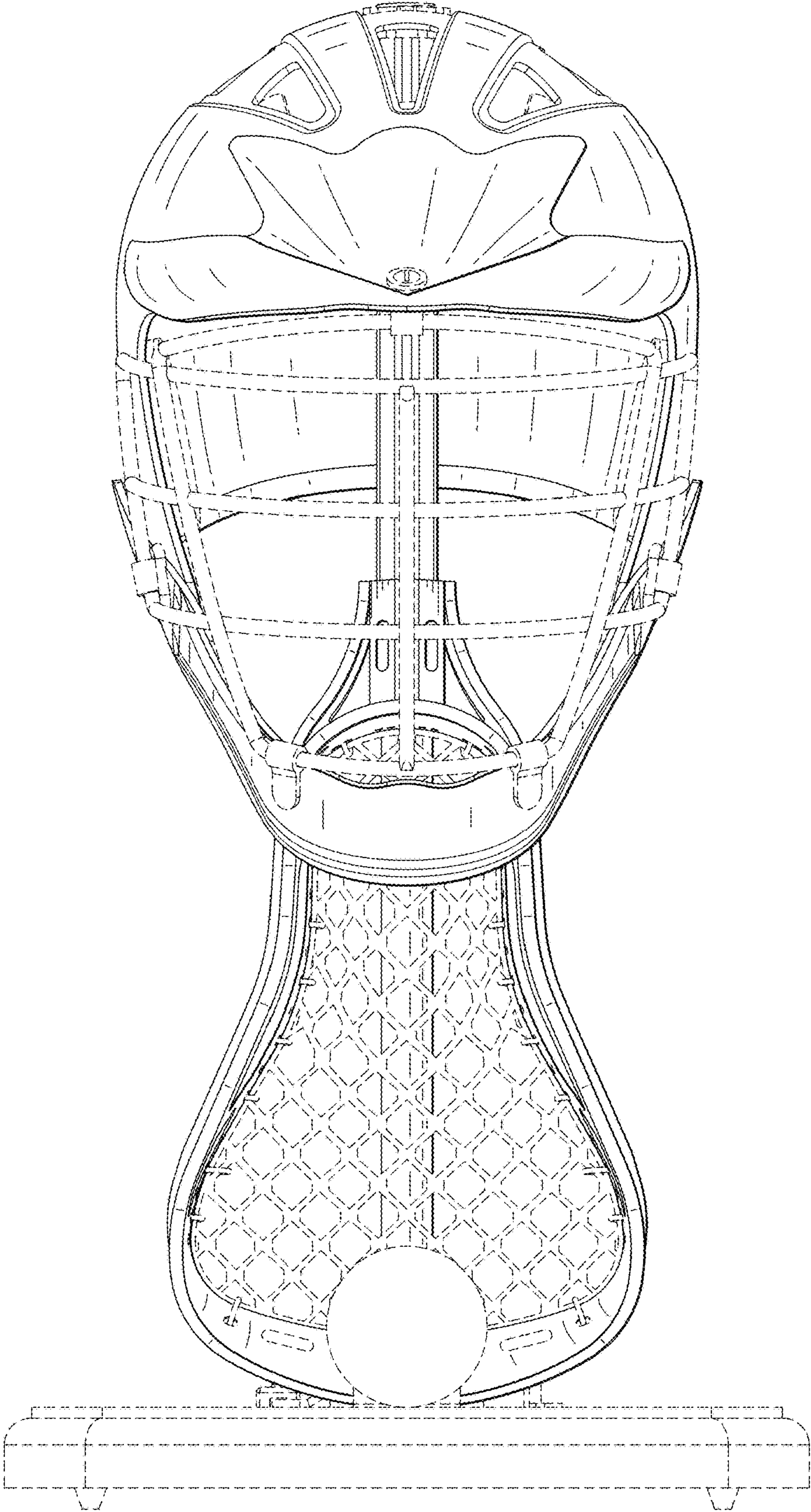


FIG. 2

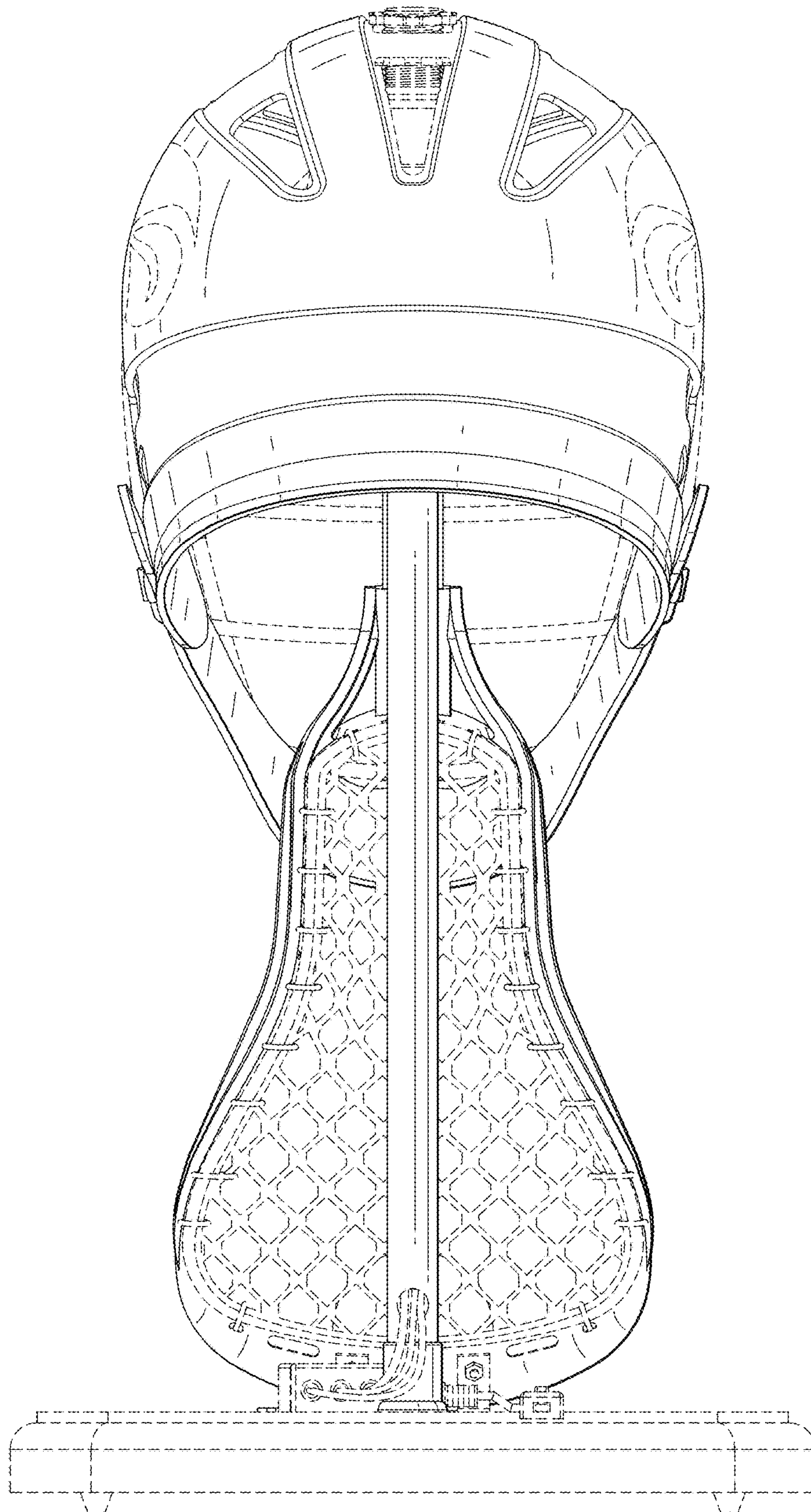


FIG. 3

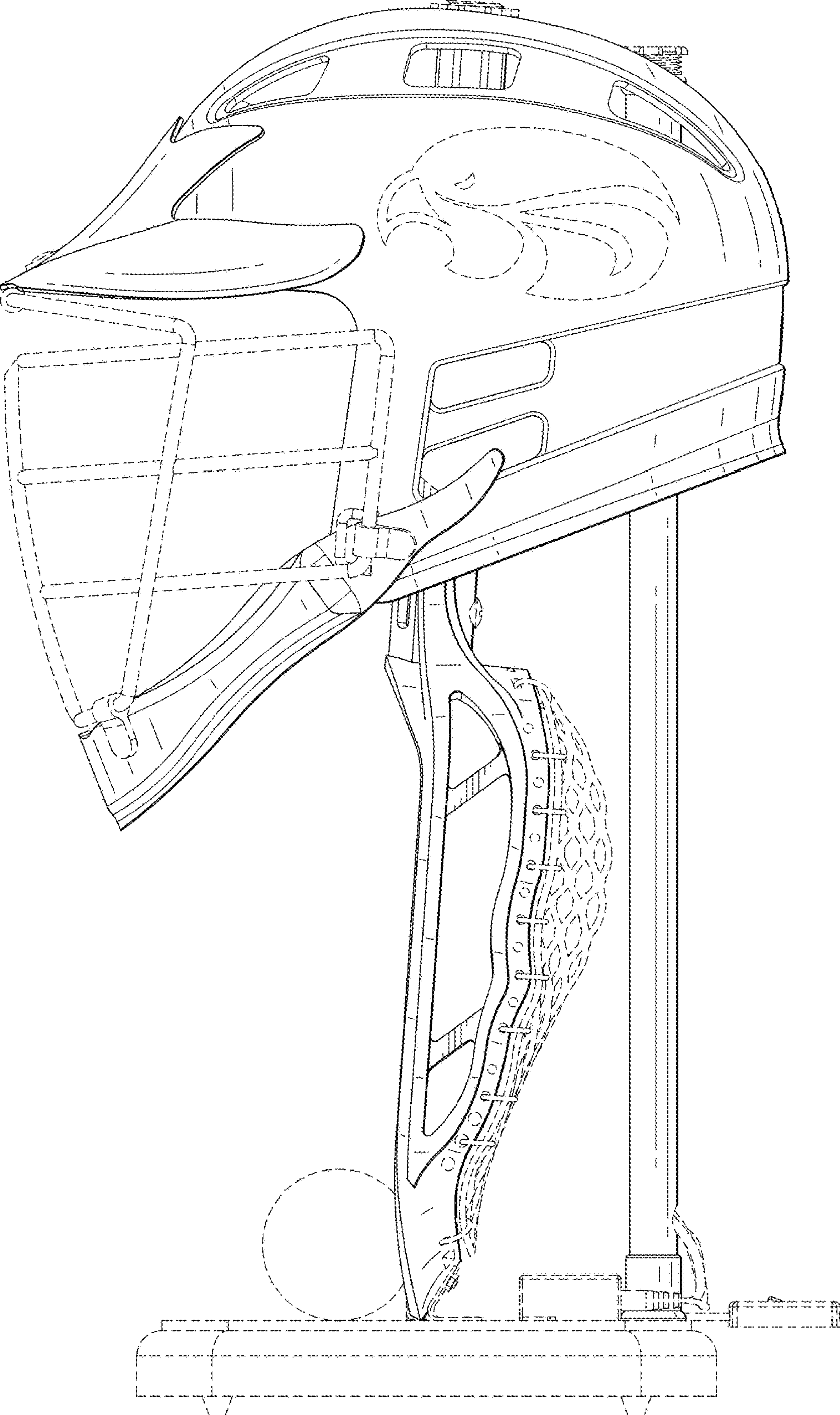


FIG. 4

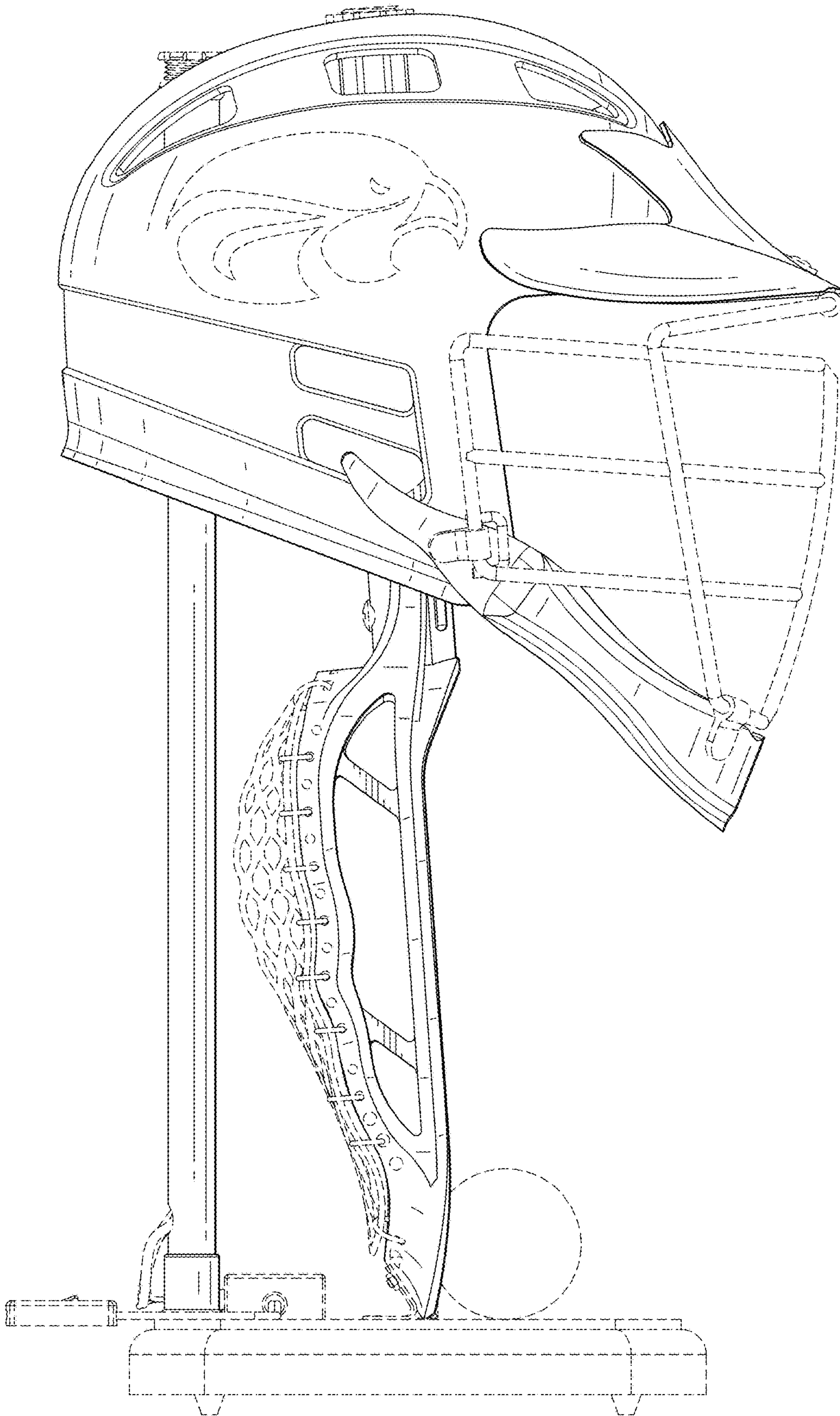


FIG. 5

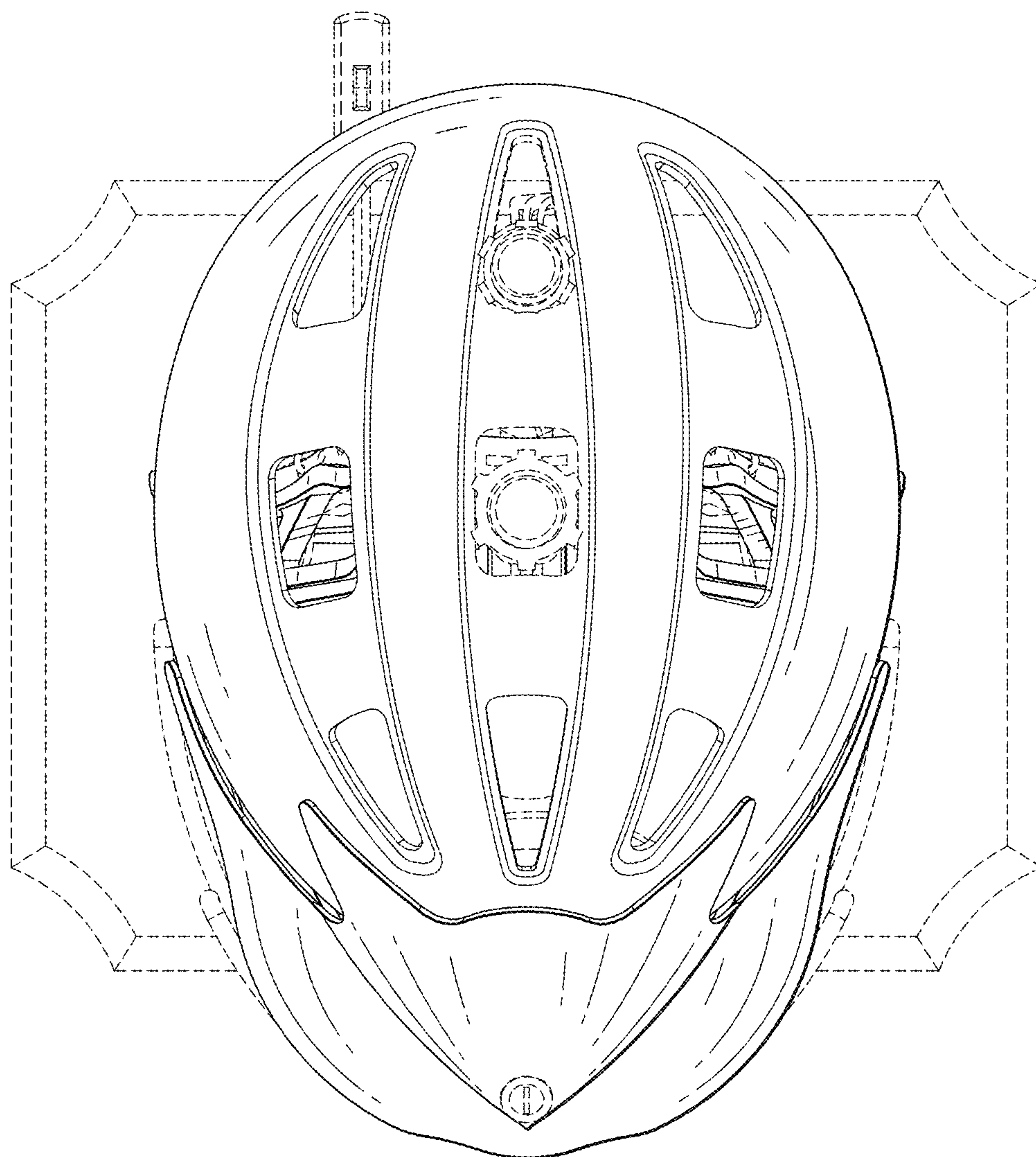


FIG. 6

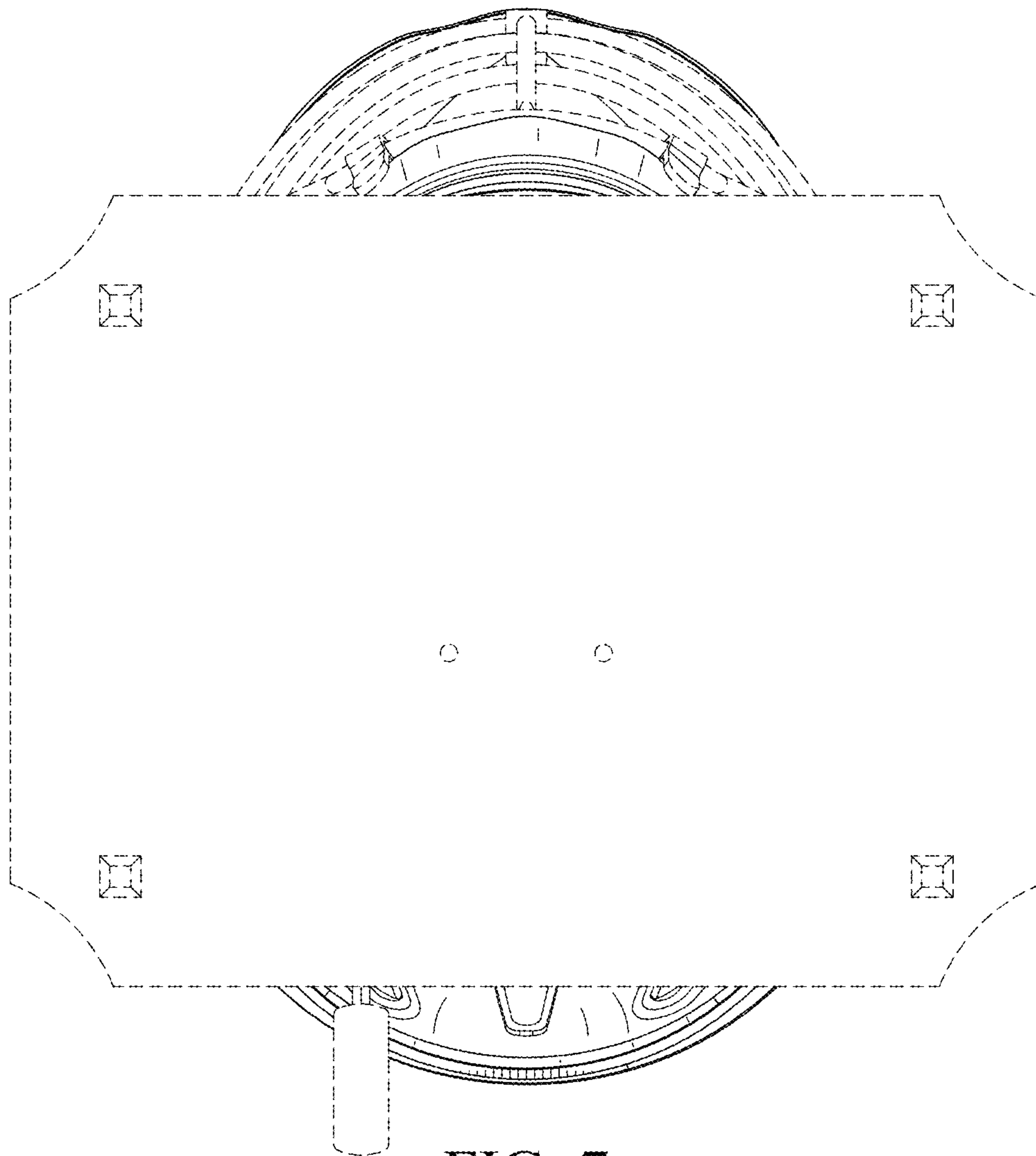


FIG. 7

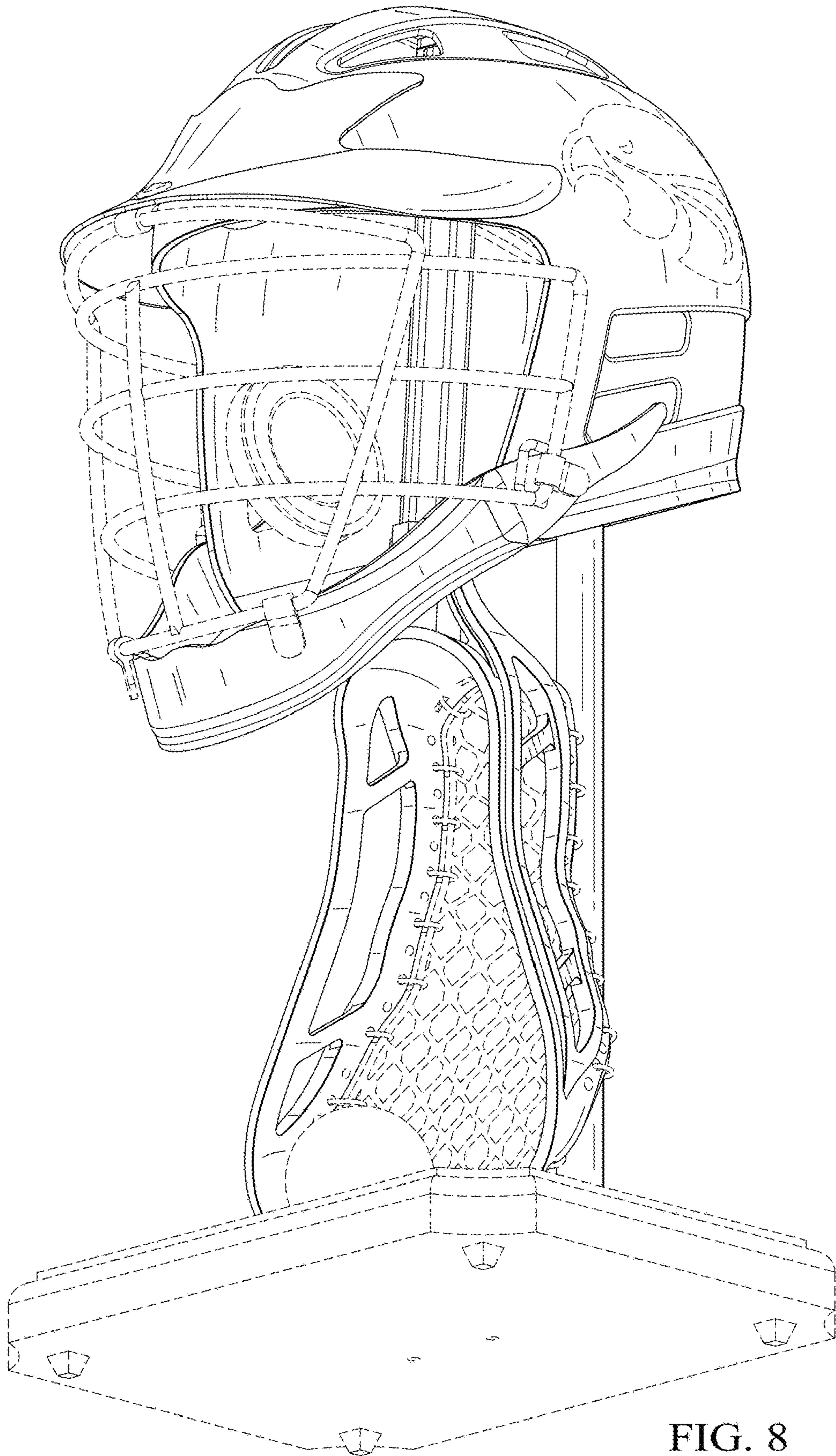


FIG. 8

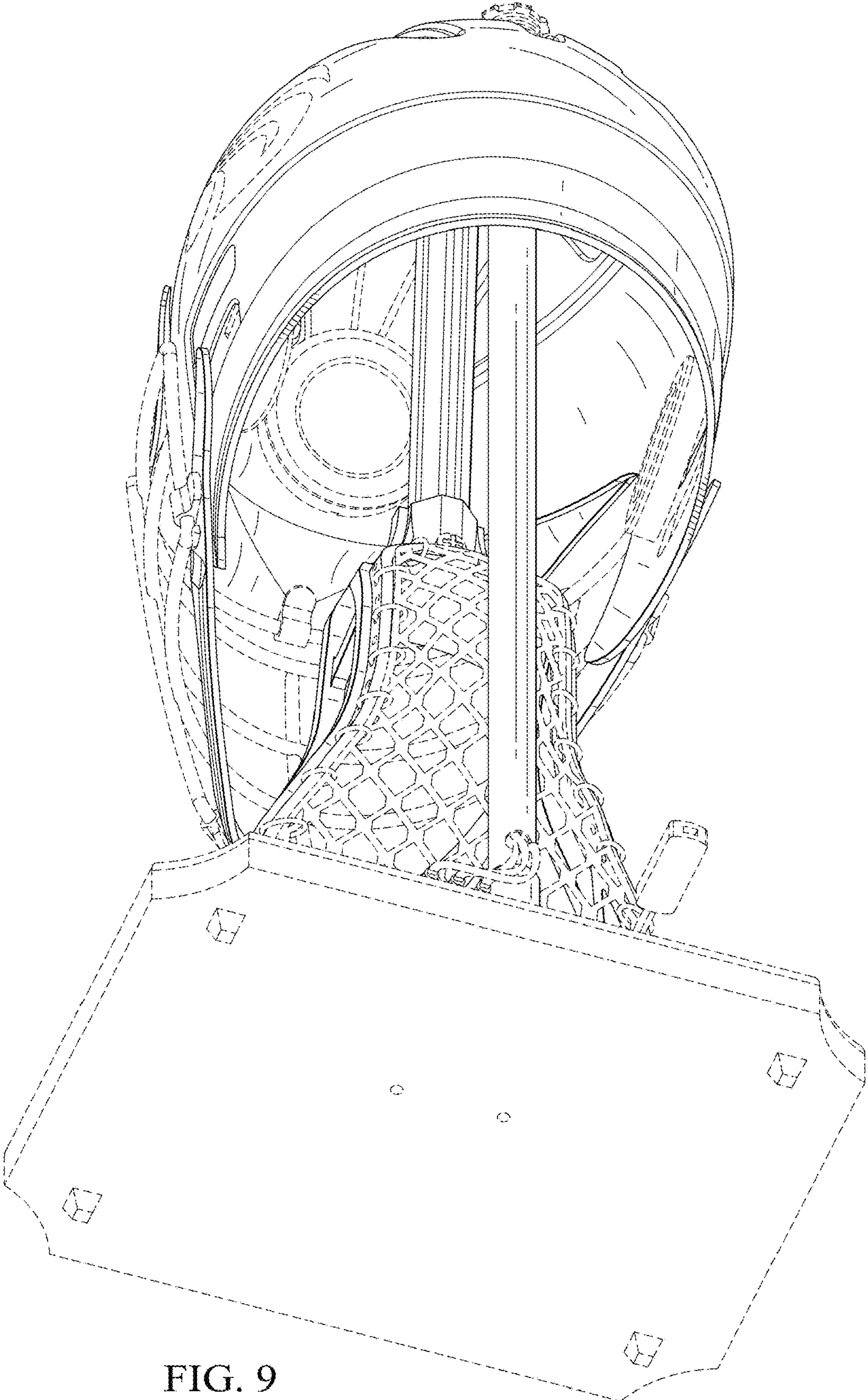


FIG. 9