



US00D833057S

(12) **United States Design Patent**
Cho et al.

(10) **Patent No.:** **US D833,057 S**

(45) **Date of Patent:** **** Nov. 6, 2018**

(54) **COMBINED LIGHTING FIXTURE AND
MOTION SENSOR**

(71) Applicant: **Chicony Power Technology Co., Ltd.**,
New Taipei (TW)

(72) Inventors: **Yao-Cheng Cho**, New Taipei (TW);
Wen-To Chuo, New Taipei (TW)

(73) Assignee: **CHICONY POWER TECHNOLOGY
CO., LTD.**, New Taipei (TW)

(**) Term: **15 Years**

(21) Appl. No.: **29/627,362**

(22) Filed: **Nov. 27, 2017**

(51) **LOC (11) Cl.** **26-03**

(52) **U.S. Cl.**
USPC **D26/87; D26/63**

(58) **Field of Classification Search**
USPC D26/26, 51, 56, 63, 67, 72, 85, 86, 87,
D26/92; D10/106.8

CPC F21S 8/03; F21S 8/033; F21S 8/035; F21S
8/036; F21S 8/037; F21S 8/081; F21S
8/088; F21V 33/004; F21V 23/0471;
F21W 2131/302

See application file for complete search history.

(56) **References Cited**

U.S. PATENT DOCUMENTS

D123,763 S *	12/1940	Rieland	D26/67
D127,833 S *	6/1941	Price	D26/63
D166,316 S *	4/1952	Juergens	D26/63
D570,523 S *	6/2008	Porter	D26/85
D637,337 S *	5/2011	Sole'	D26/85
D642,727 S *	8/2011	van den Akker	D26/85
D644,372 S *	8/2011	Verelst	D26/63

D666,764 S *	9/2012	Gilad	D26/79
D697,249 S *	1/2014	Pyle	D26/85
D758,635 S *	6/2016	Fioravanti	D26/85
D782,100 S *	3/2017	Kitts	D26/145
D818,177 S *	5/2018	Amato	D26/87

OTHER PUBLICATIONS

Bautista 5-Light Sputnik Chandelier. Found at birchlane.com, vis-
ited Jul. 23, 2018. (Year: 2018).*

Maso Home, MS-61406 Double Lights wall lamp. Available at
amazon.com as early as Jun. 16, 2017. (Year: 2017).*

* cited by examiner

Primary Examiner — Clare E Heflin

(74) *Attorney, Agent, or Firm* — Muncy, Geissler, Olds &
Lowe, P.C.

(57) **CLAIM**

The ornamental design for a combined lighting fixture and
motion sensor, as shown and described.

DESCRIPTION

FIG. 1 is a perspective view of a combined lighting fixture and
motion sensor in accordance with the new design;

FIG. 2 is a front view thereof;

FIG. 3 is a rear view thereof;

FIG. 4 is a left view thereof;

FIG. 5 is a right view thereof;

FIG. 6 is a top view thereof;

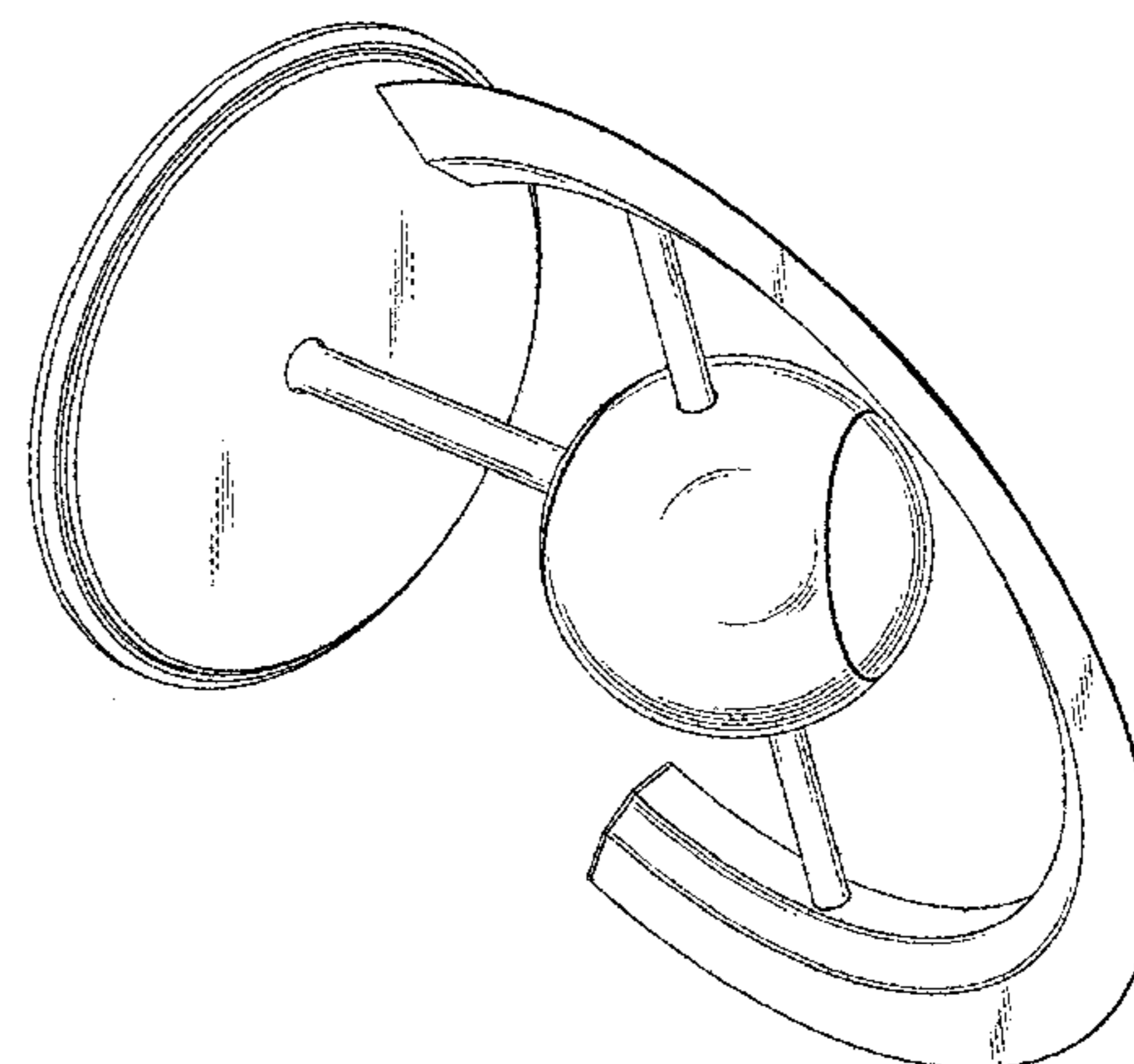
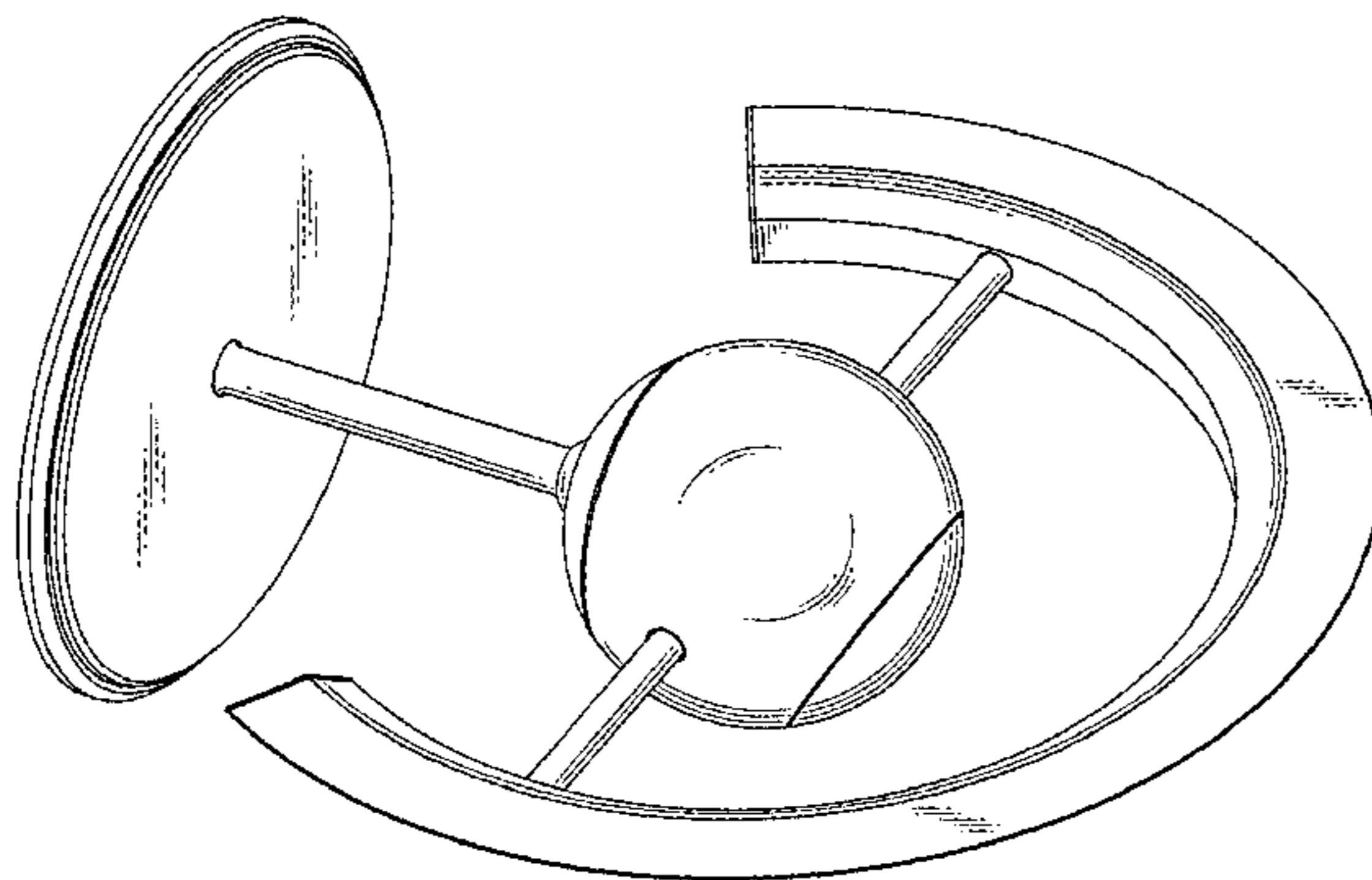
FIG. 7 is a bottom view thereof;

FIG. 8 is a perspective view thereof, showing the lighting
fixture rotated upward;

FIG. 9 is a perspective view thereof, showing the lighting
fixture rotated downward; and,

FIG. 10 is a perspective view thereof, showing the motion
sensor and lighting fixture rotated to the left.

1 Claim, 8 Drawing Sheets



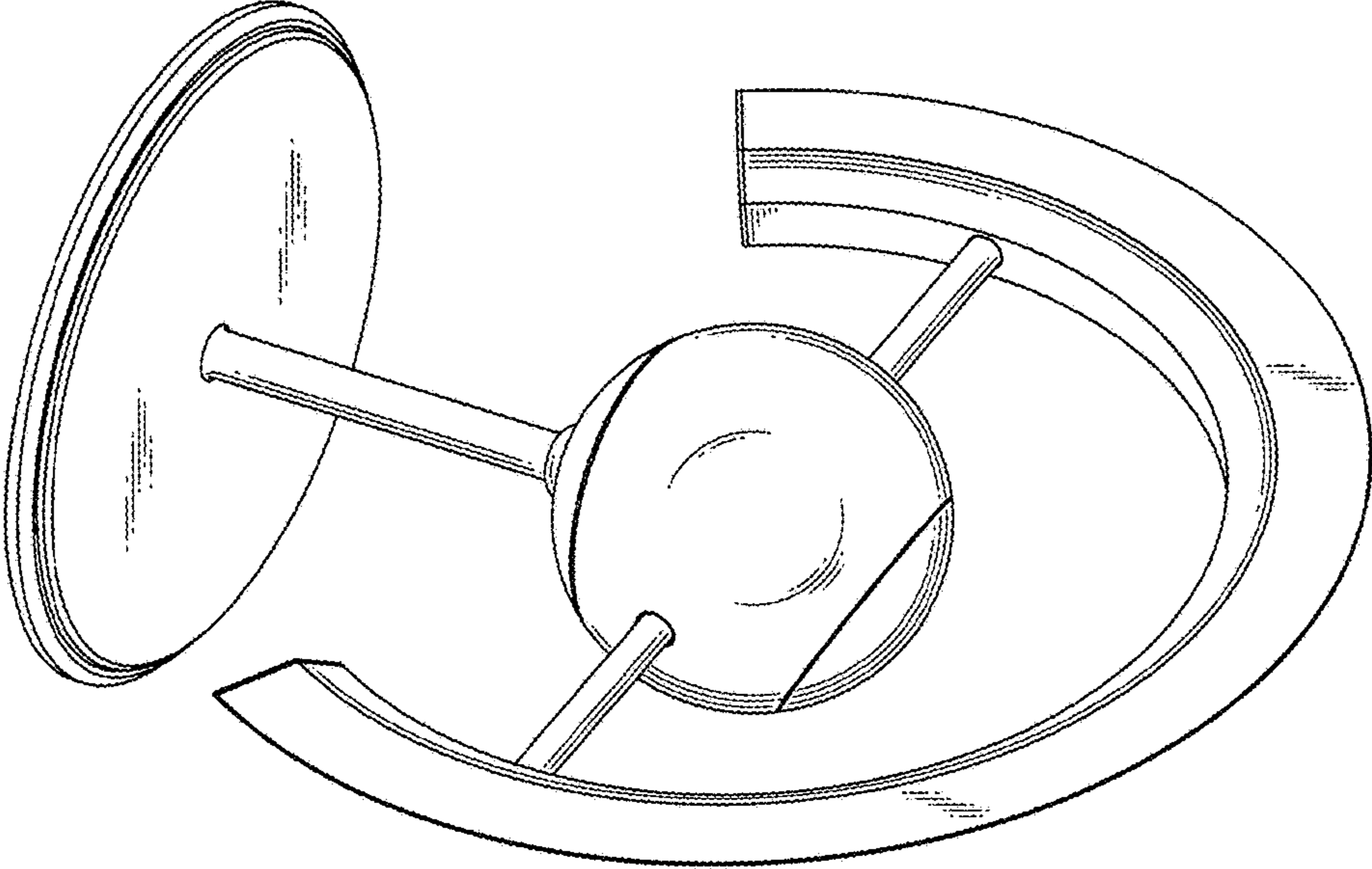


FIG. 1

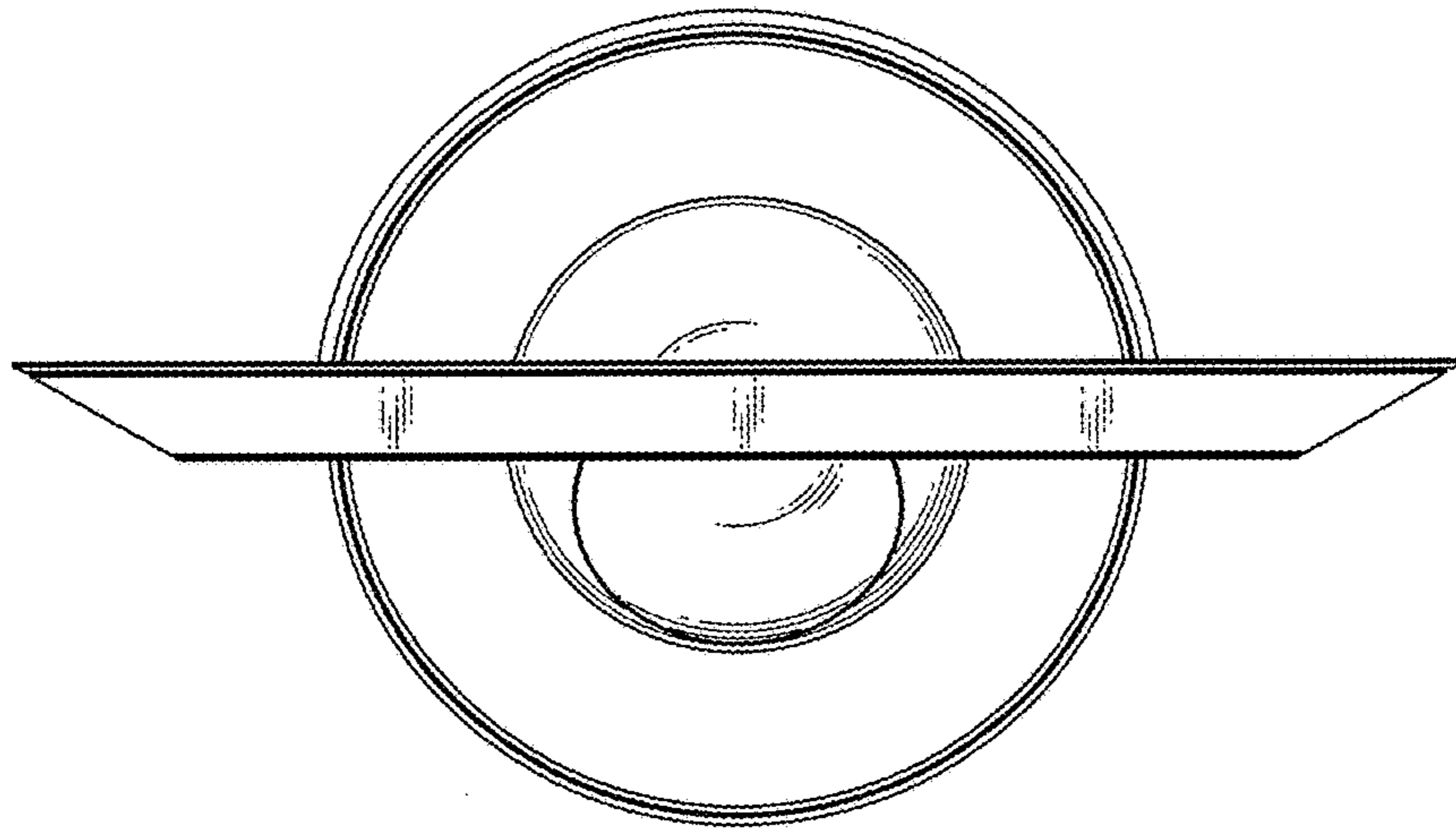


FIG. 2

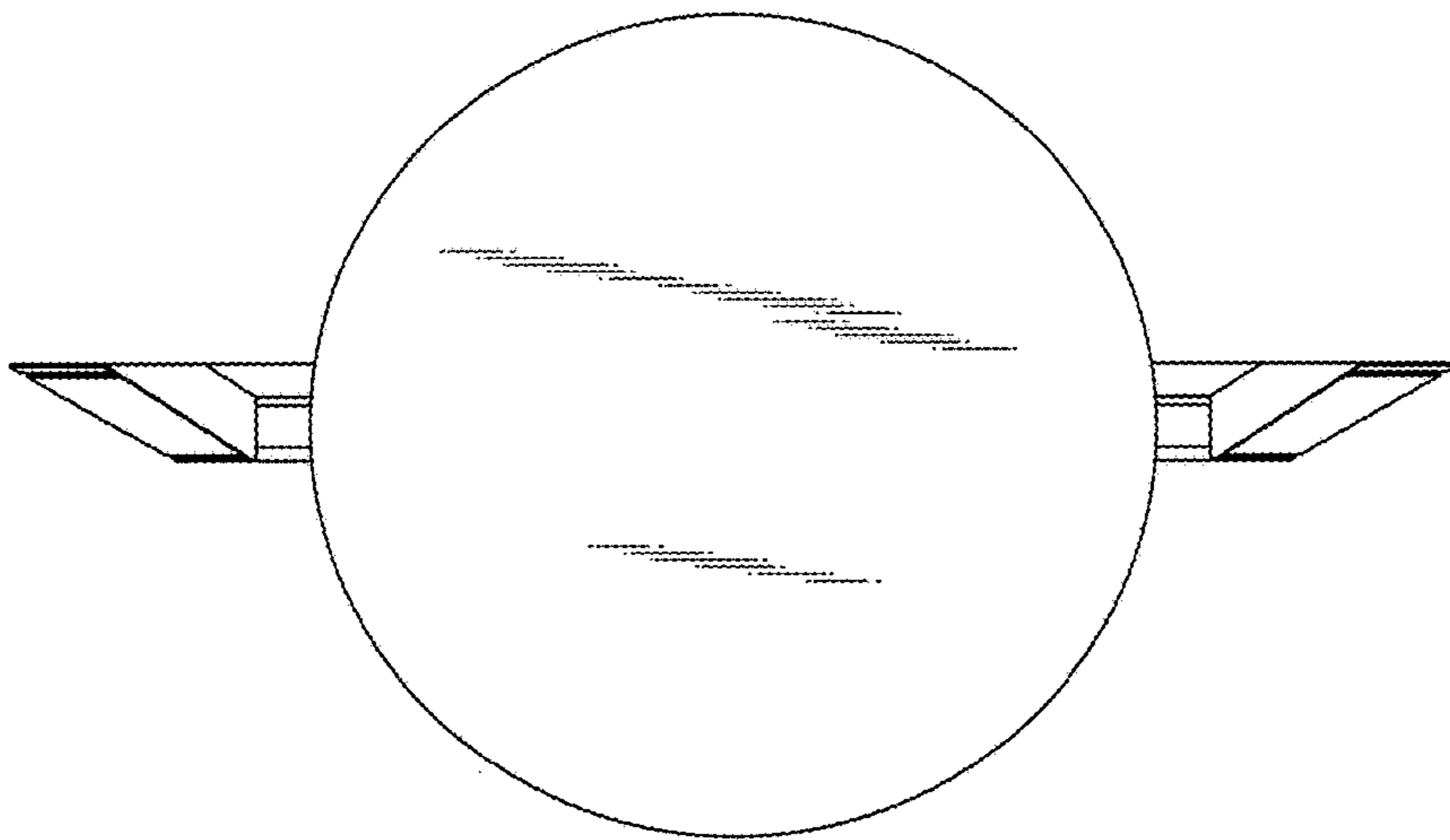


FIG. 3

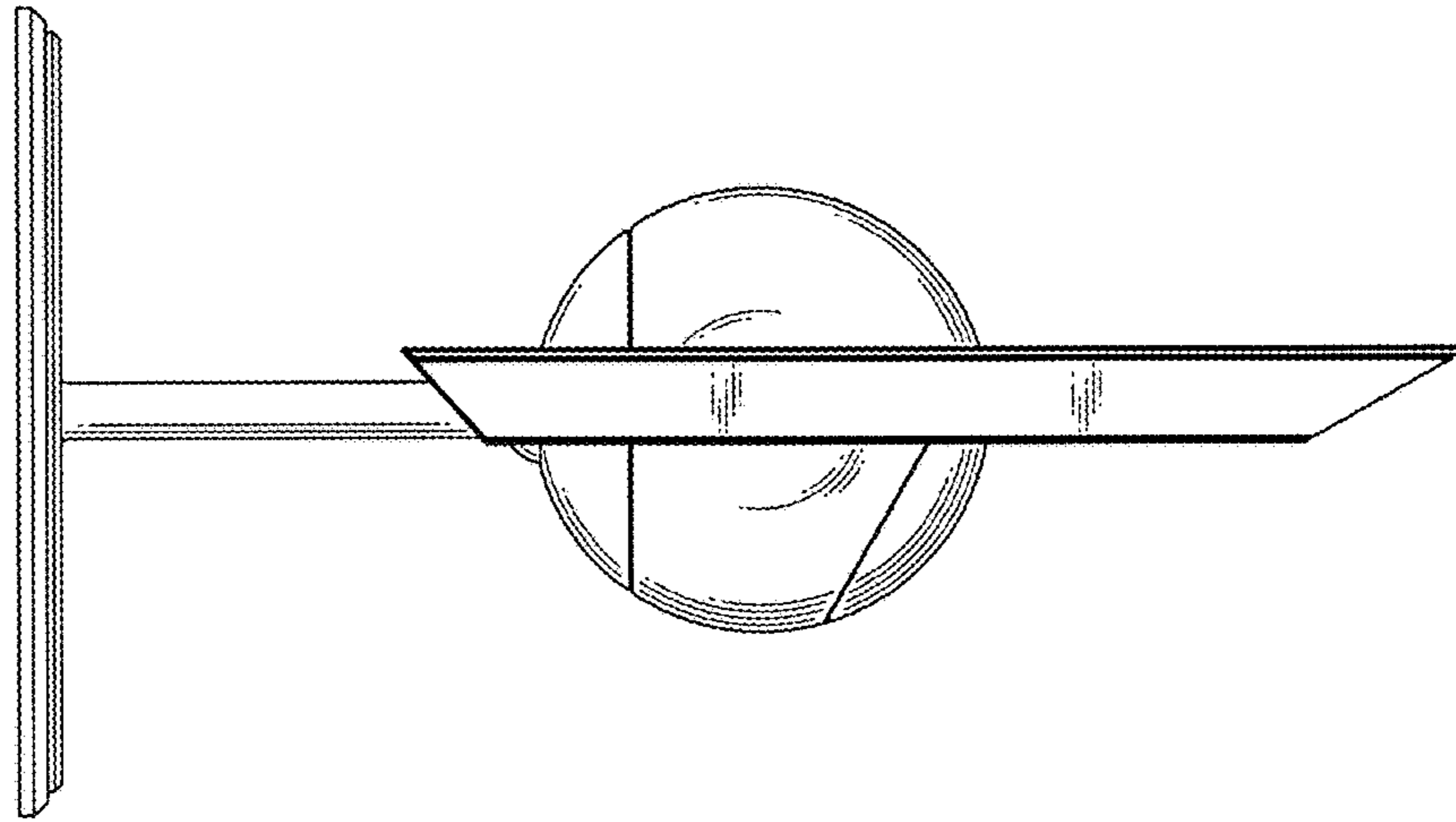


FIG. 4

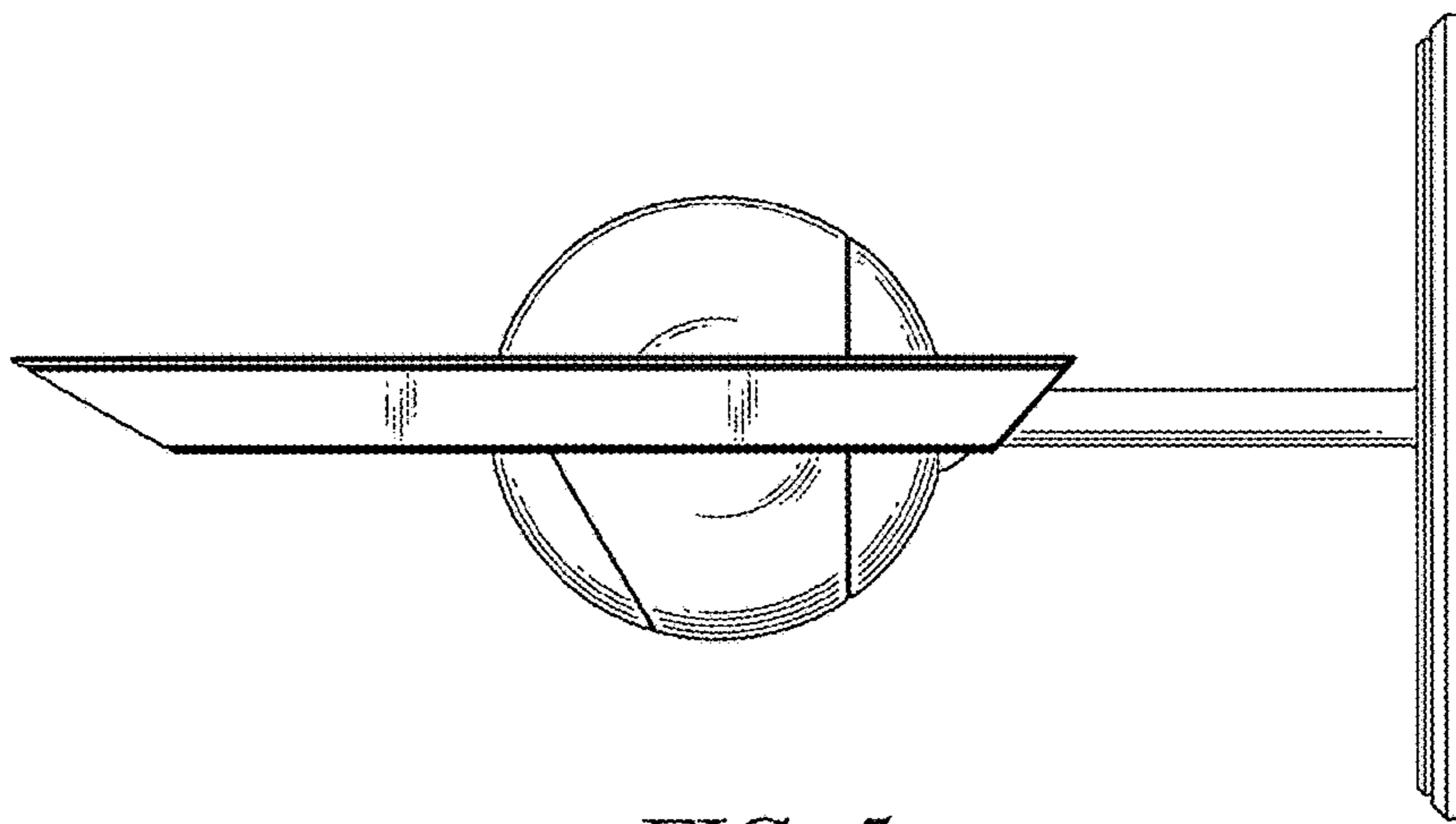


FIG. 5

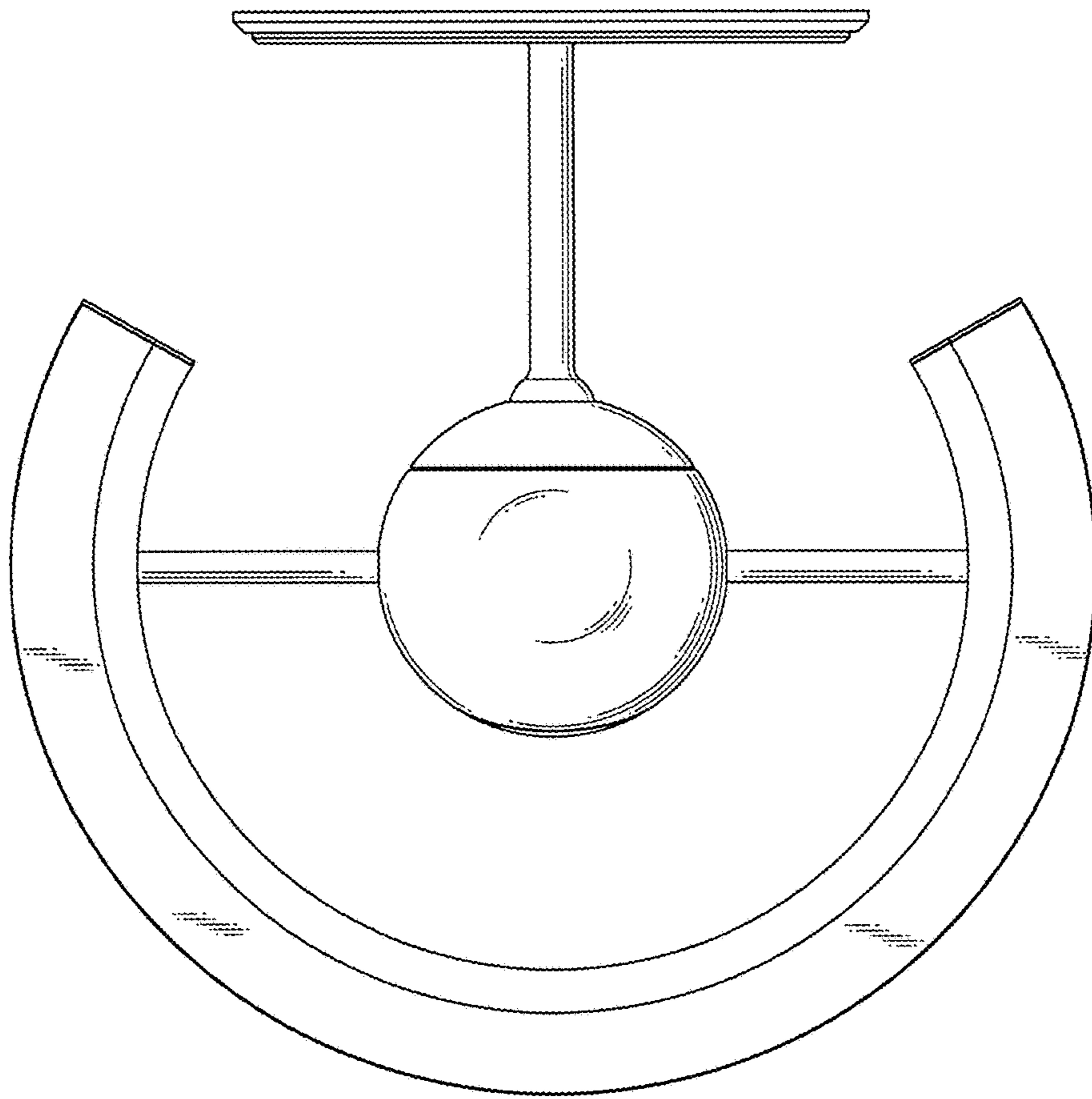


FIG. 6

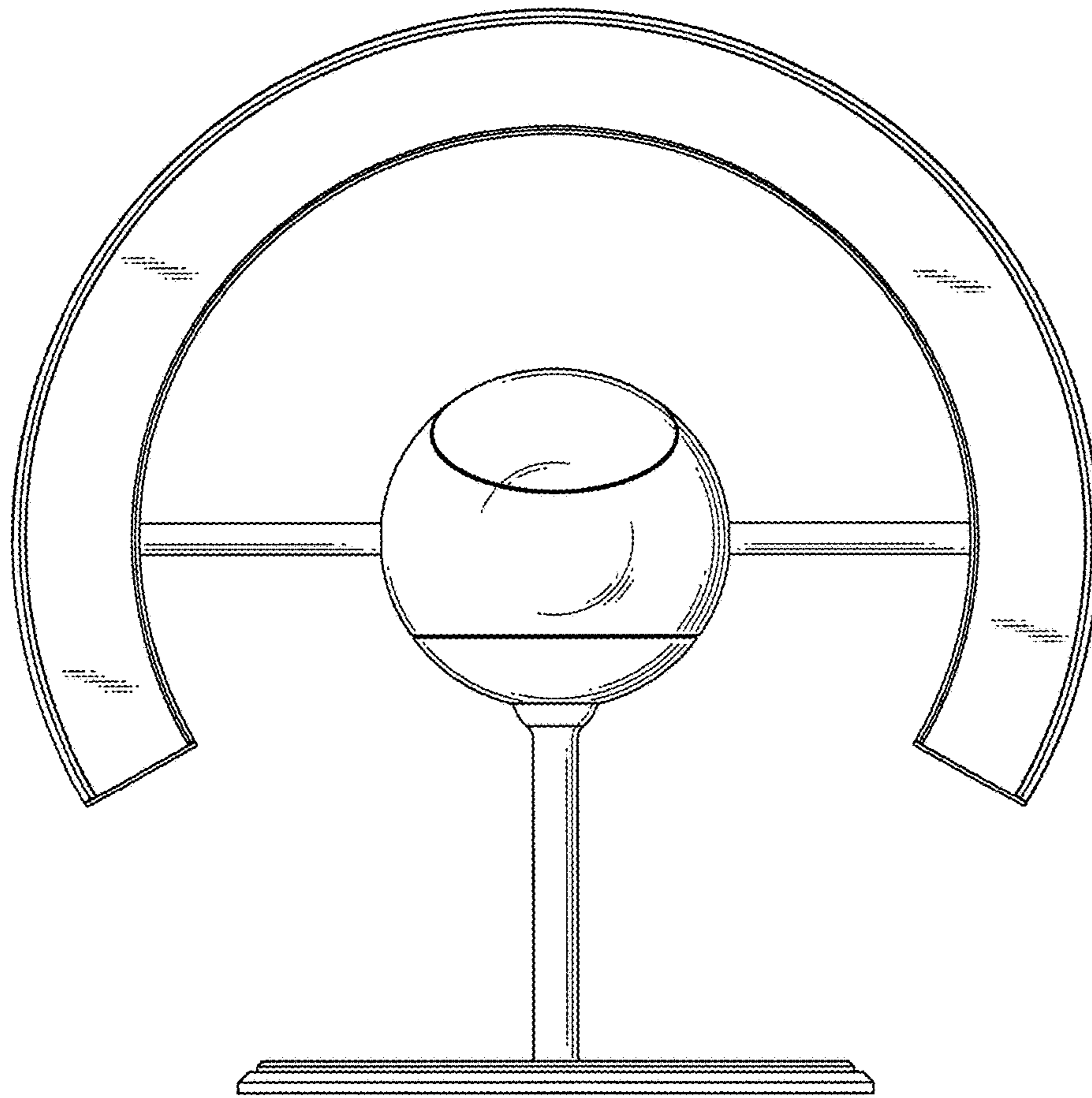


FIG. 7

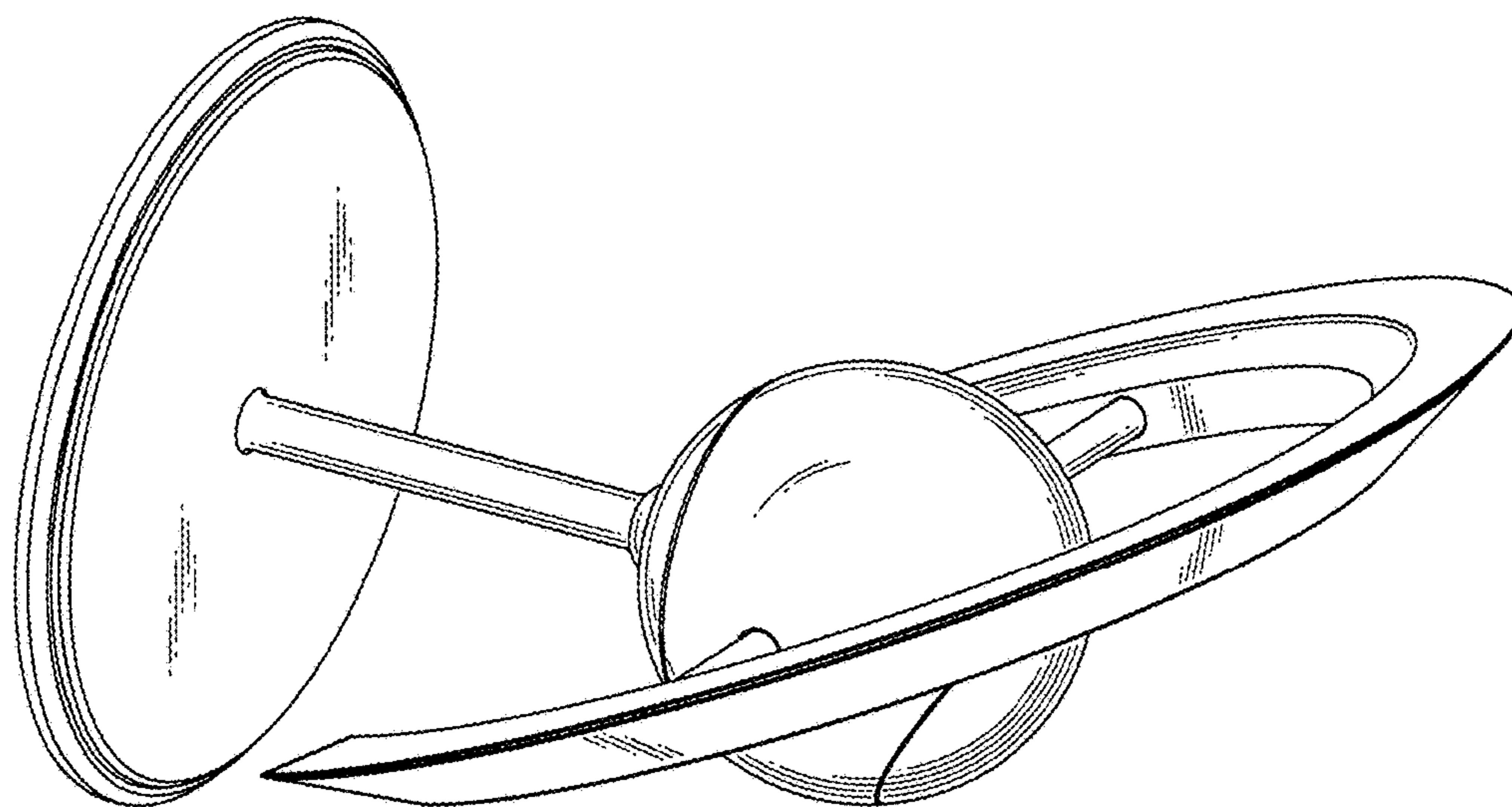


FIG. 8

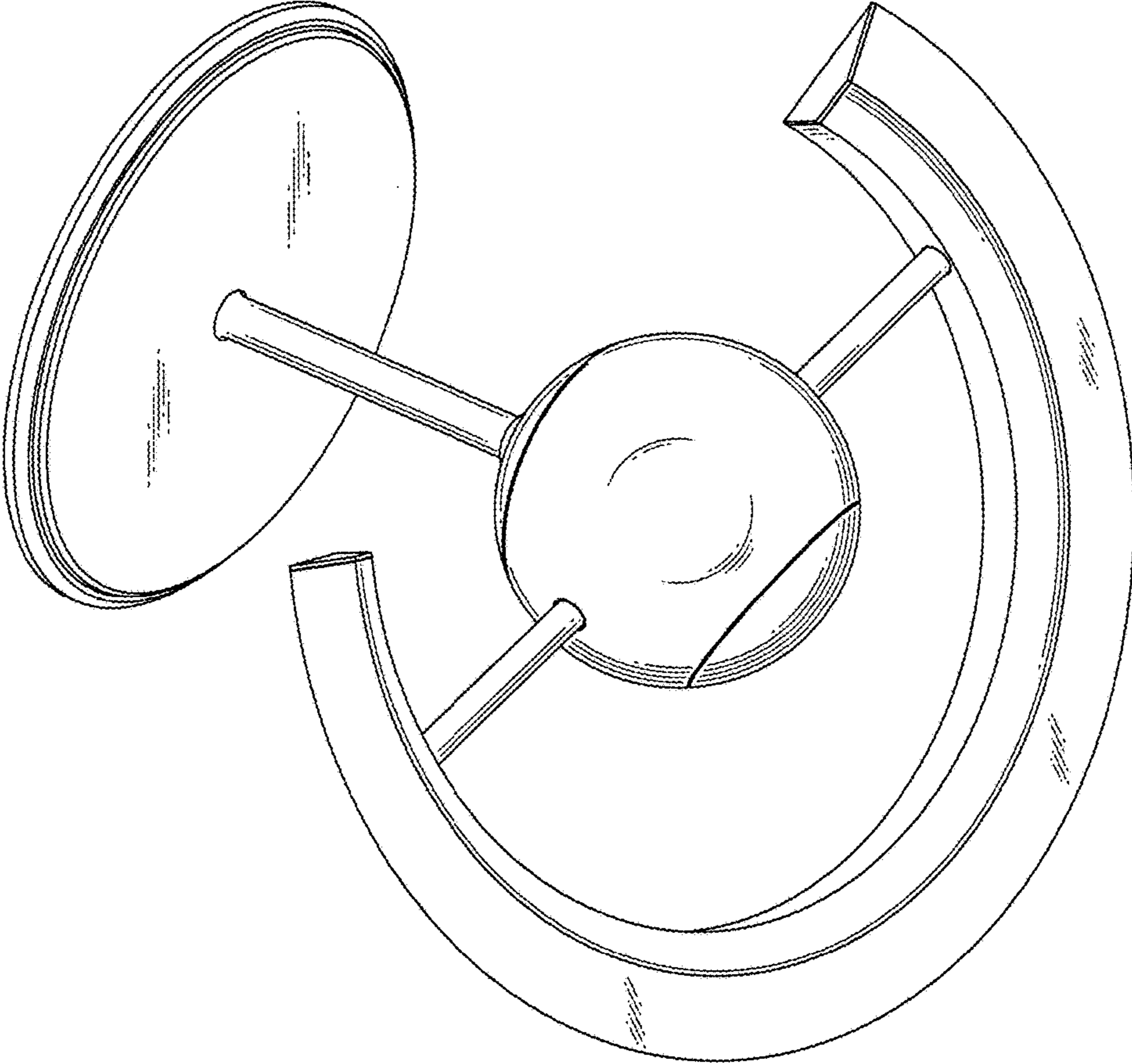


FIG. 9

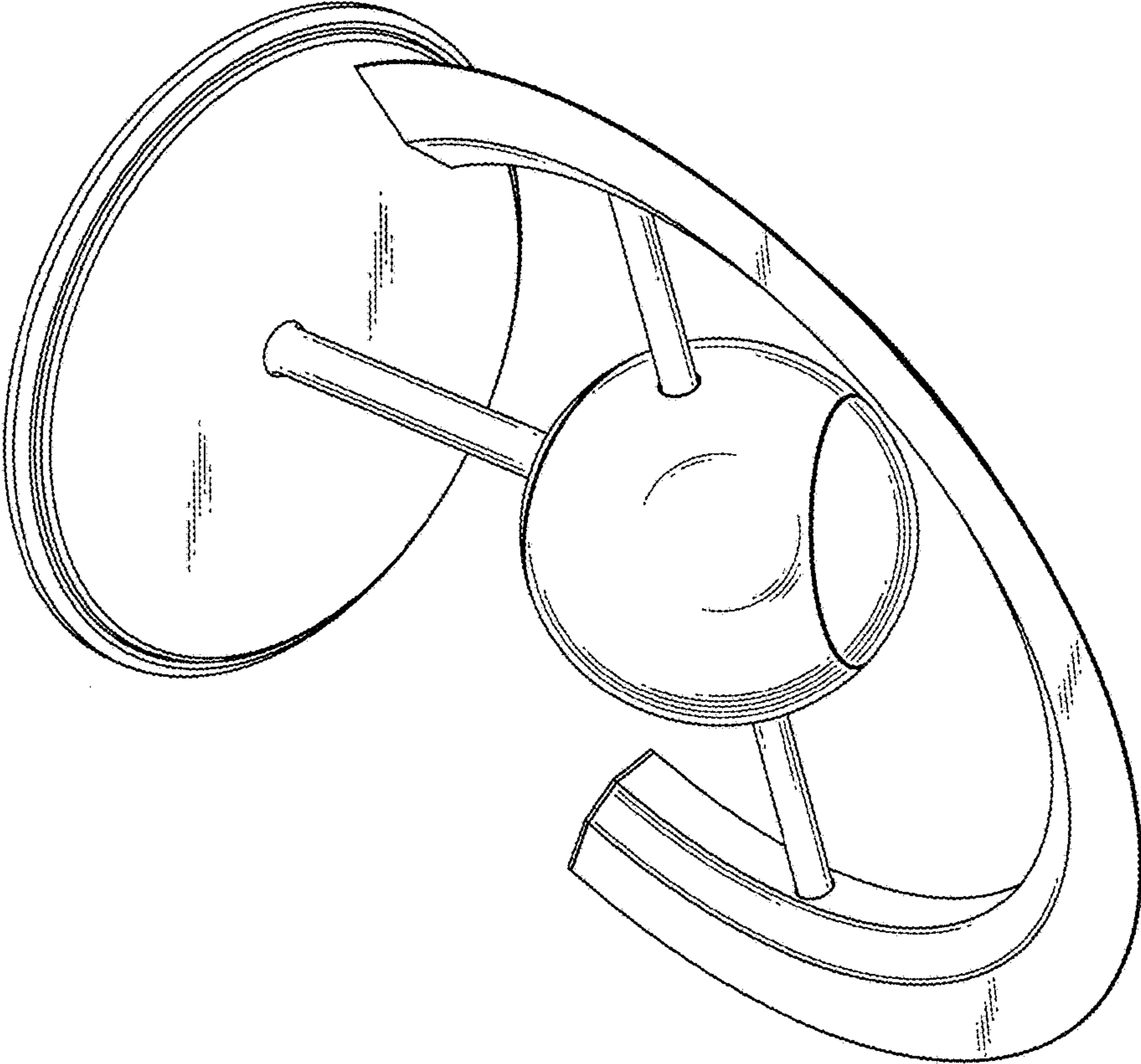


FIG. 10