



US00D833055S

(12) **United States Design Patent** (10) **Patent No.:** **US D833,055 S**
Deng (45) **Date of Patent:** **** Nov. 6, 2018**

(54) **WALL LAMP**

(71) Applicant: **Dongguan Pan American Electronics Co., Ltd, DongGuan, GuangDong (CN)**

(72) Inventor: **Jinsheng Deng, DongGuan (CN)**

(73) Assignee: **DONGGUAN PAN AMERICAN ELECTRONICS CO., LTD., Dongguan, Guangdong (CN)**

(**) Term: **15 Years**

(21) Appl. No.: **29/606,864**

(22) Filed: **Jun. 8, 2017**

(30) **Foreign Application Priority Data**

Mar. 24, 2017 (CN) 2017 3 0091415

(51) **LOC (11) Cl.** **26-05**

(52) **U.S. Cl.**
USPC **D26/85**

(58) **Field of Classification Search**
USPC D10/104.1, 106.1, 106.6, 106.8; D26/10, D26/37, 38, 40, 51, 60, 67, 68, 72, 76, D26/78, 82, 85, 86, 104, 106, 145
CPC F21S 8/00; F21S 8/02; F21S 8/04; F21S 8/003; F21S 8/006; F21S 6/00; F21S 9/022; F21S 9/037

See application file for complete search history.

(56) **References Cited**

U.S. PATENT DOCUMENTS

D269,072 S * 5/1983 Sweet D10/106.6
4,398,239 A * 8/1983 de Vos F21S 8/086
362/145
D272,193 S * 1/1984 Sangiamo D26/85
4,559,587 A * 12/1985 Quiogue F21S 8/033
362/147
D343,018 S * 1/1994 Garrity D26/37
D440,683 S * 4/2001 Guercio D26/24
D569,028 S * 5/2008 Sandell D26/85

D569,029 S * 5/2008 Guercio D26/85
D630,366 S * 1/2011 Beach, Jr. D26/85
D815,331 S * 4/2018 Yang D26/85
2015/0167936 A1 * 6/2015 Yong F21V 29/83
362/190

OTHER PUBLICATIONS

Philips 3030SMD LED Wall Pack Light (available online) Retrieved from the internet Jul. 31, 2018 from URL: <http://www.fairyledlight.com/sale-10598769-philips-3030smd-led-wall-pack-light-semi-cutoff-full-cutoff-25w-30w-40w-50w-60w-75w-100w-120w-100-27.html>.*

LED wall light PC or Glass diffuser optional (available online) Retrieved from the internet Jul. 31, 2018 from URL: <http://www.en-hflight.com/product/product-52-771.html>.*

Led Wall Pack Replaces 400w Hid Classical Outdoor Wall Lights (available online) Retrieved from the internet Jul. 31, 2018 from URL: http://vanplexled.en.alibaba.com/product/60784334544-804187935/3000K_100_Watt_LED_Wall_Pack_Replaces_400w_HID_Classical_Outdoor_Wall_Lights.html?spm=a2700.icbuShop.89.9.158851f0YOIPPu.*

* cited by examiner

Primary Examiner — Kevin K Rudzinski

Assistant Examiner — Richard Kearney

(74) *Attorney, Agent, or Firm* — Ladas & Parry LLP

(57) **CLAIM**

The ornamental design for a wall lamp, as shown and described.

DESCRIPTION

FIG. 1 is a front elevational view of a wall lamp showing my new design;

FIG. 2 is a rear elevational view thereof;

FIG. 3 is a left-side elevational view thereof;

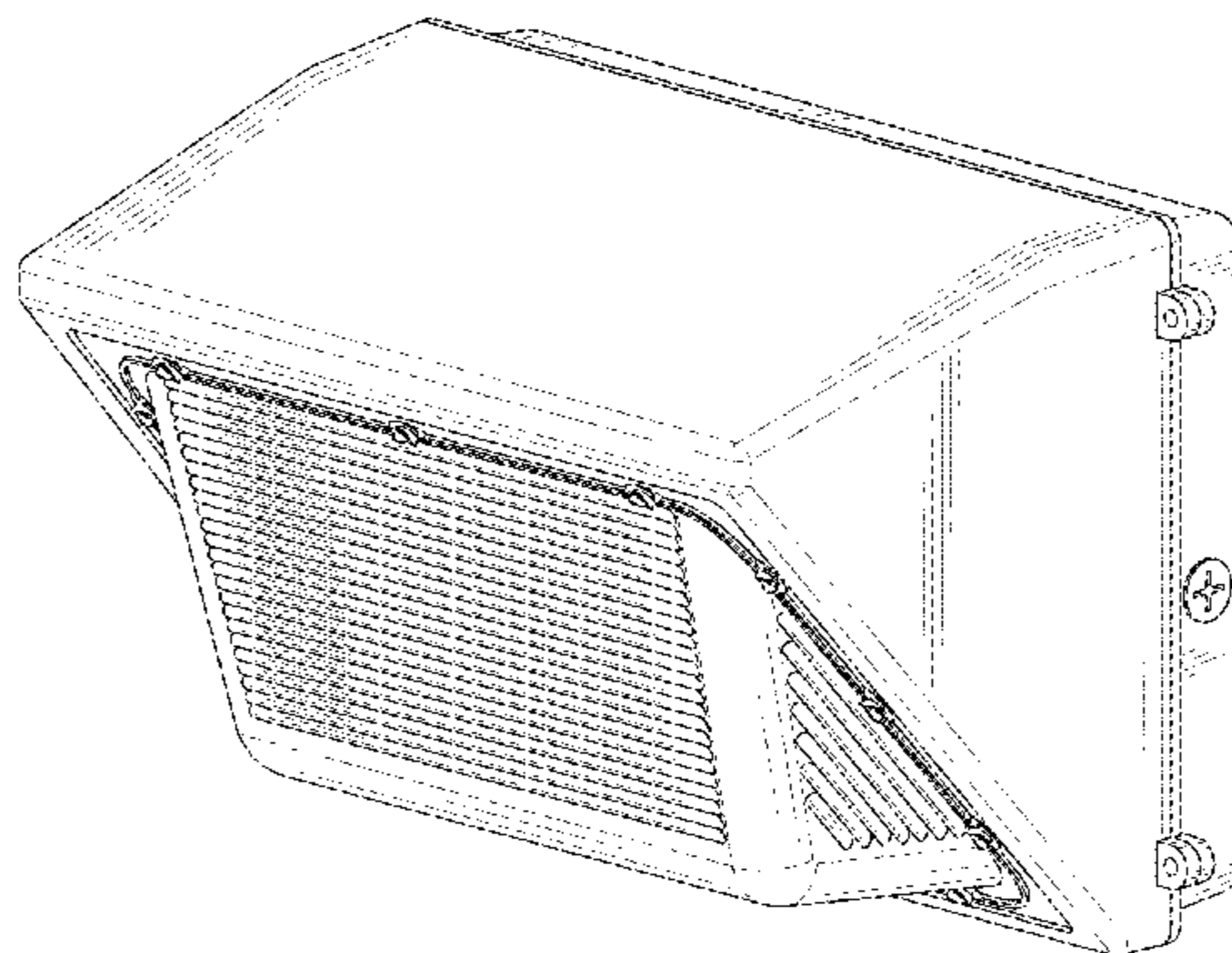
FIG. 4 is a right-side elevational view thereof;

FIG. 5 is a top plan view thereof;

FIG. 6 is a bottom plan view thereof; and,

FIG. 7 is a perspective view thereof.

1 Claim, 7 Drawing Sheets



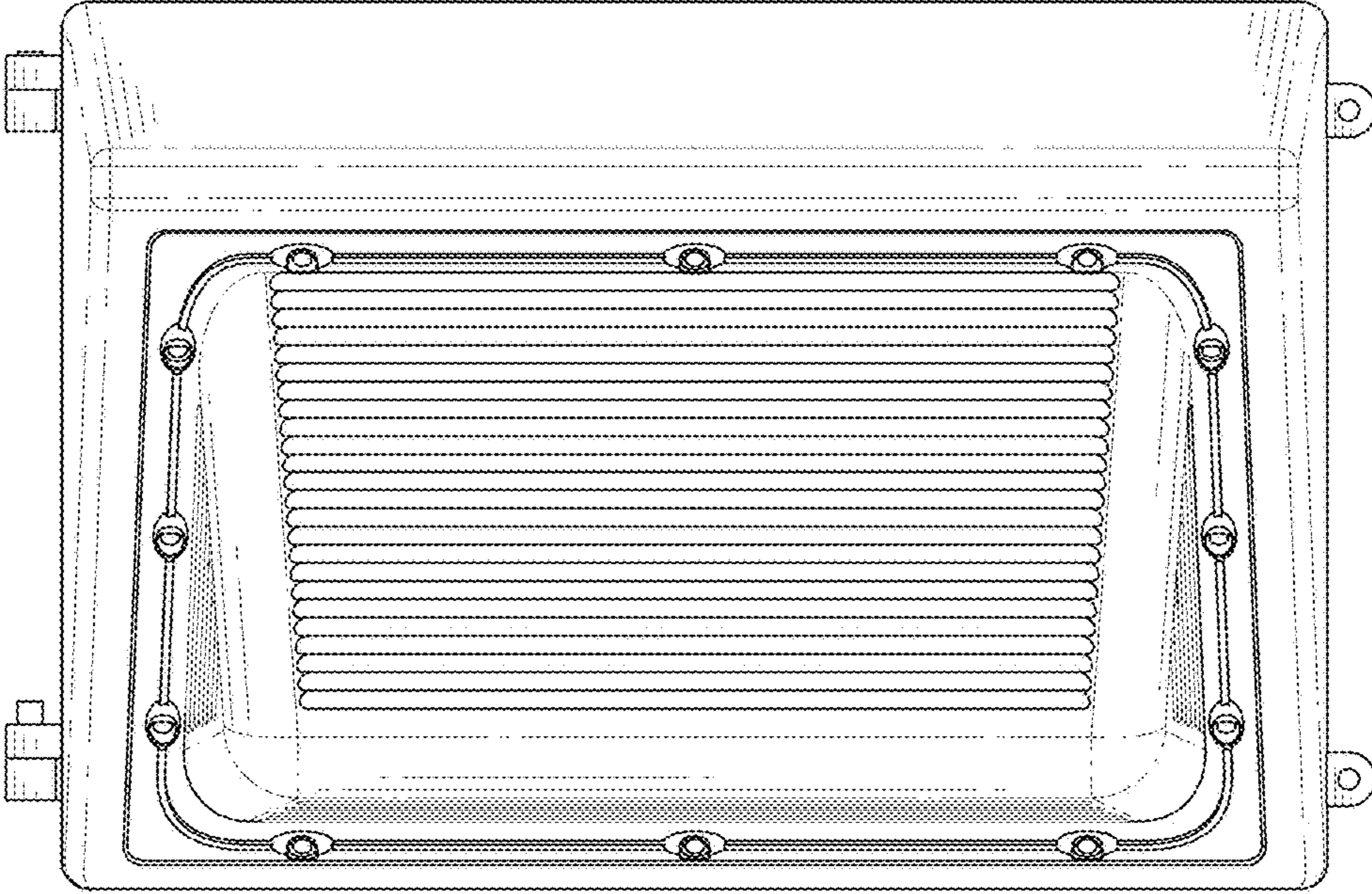


FIG. 1

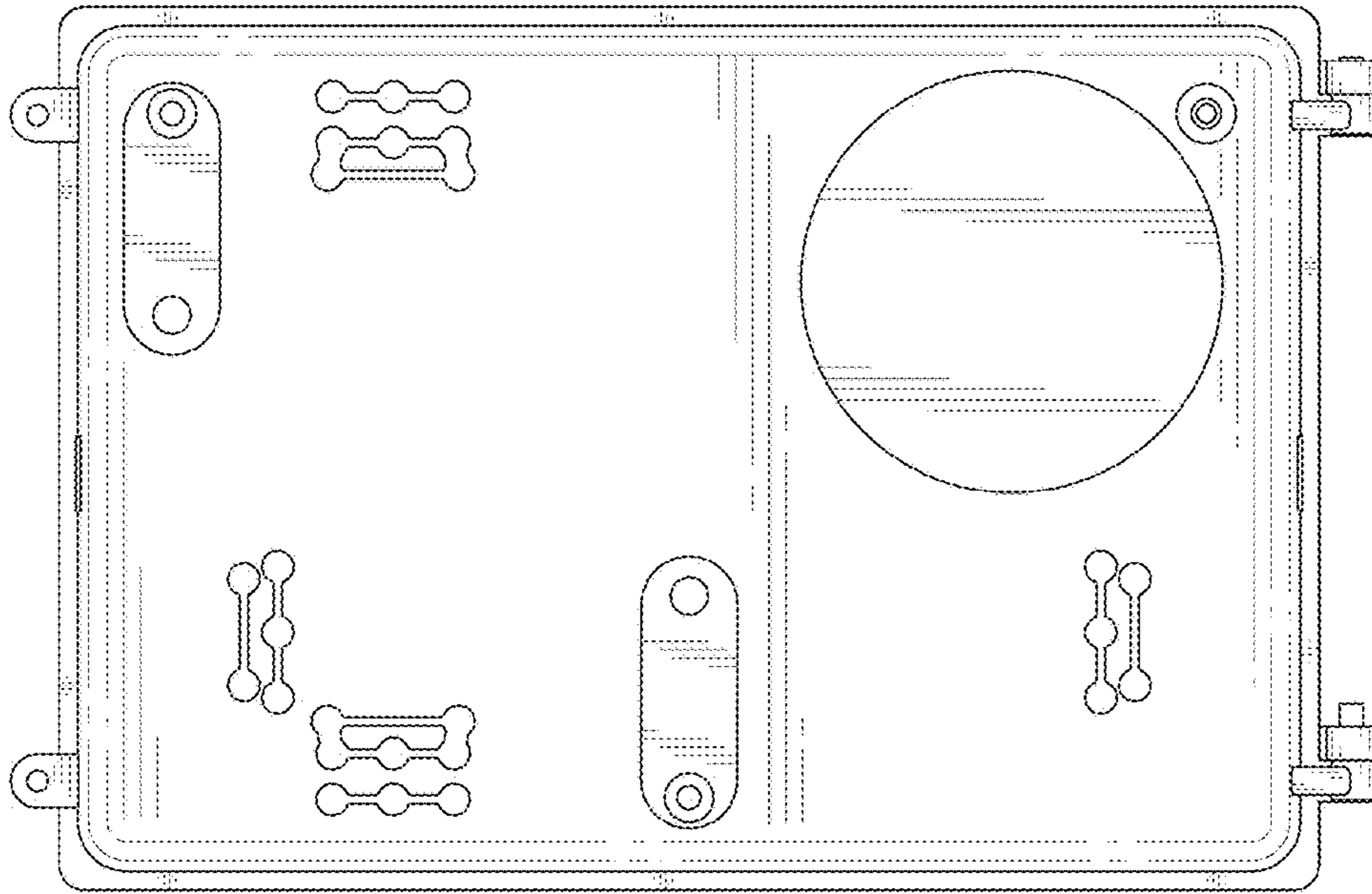


FIG. 2

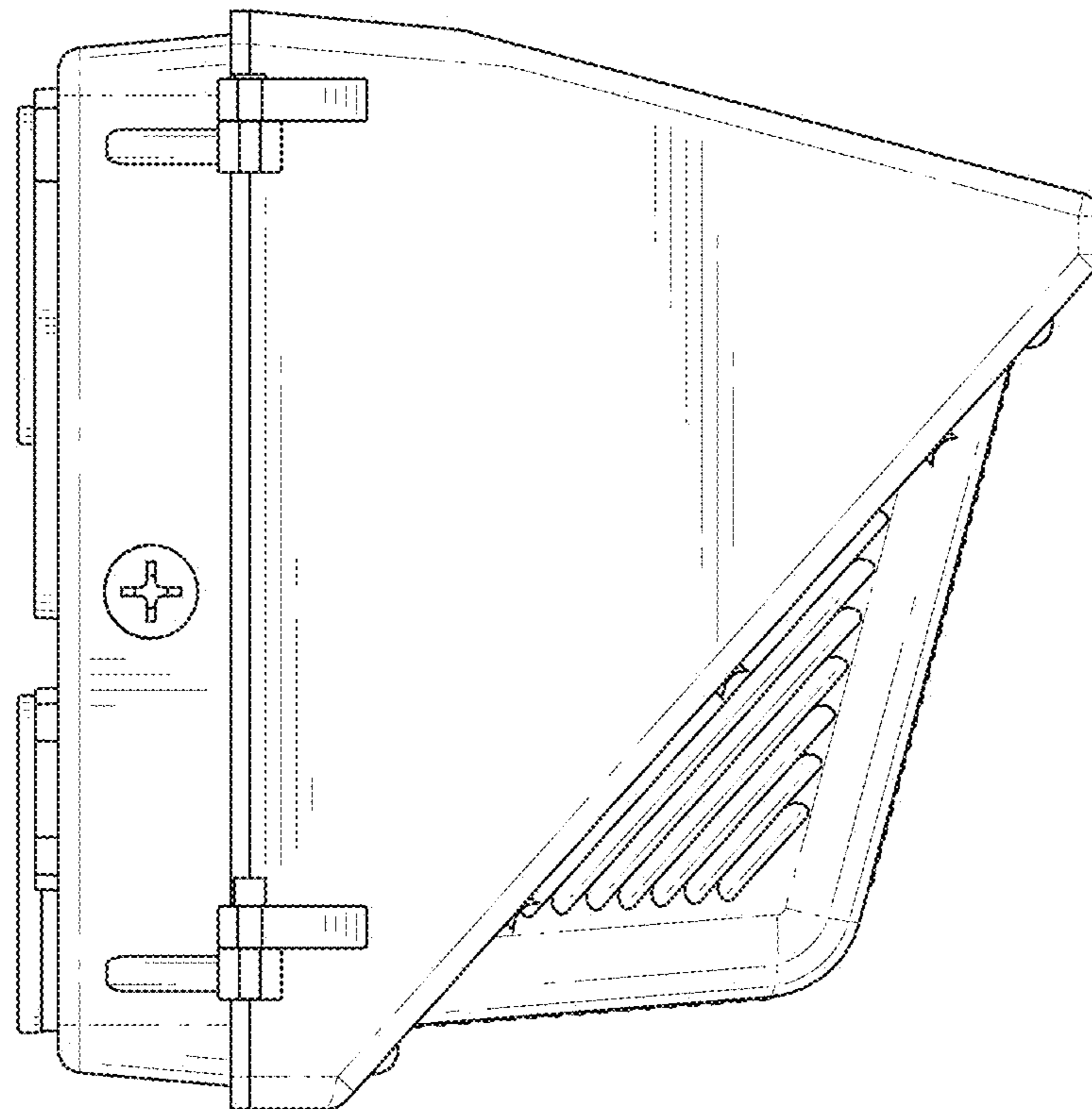


FIG. 3

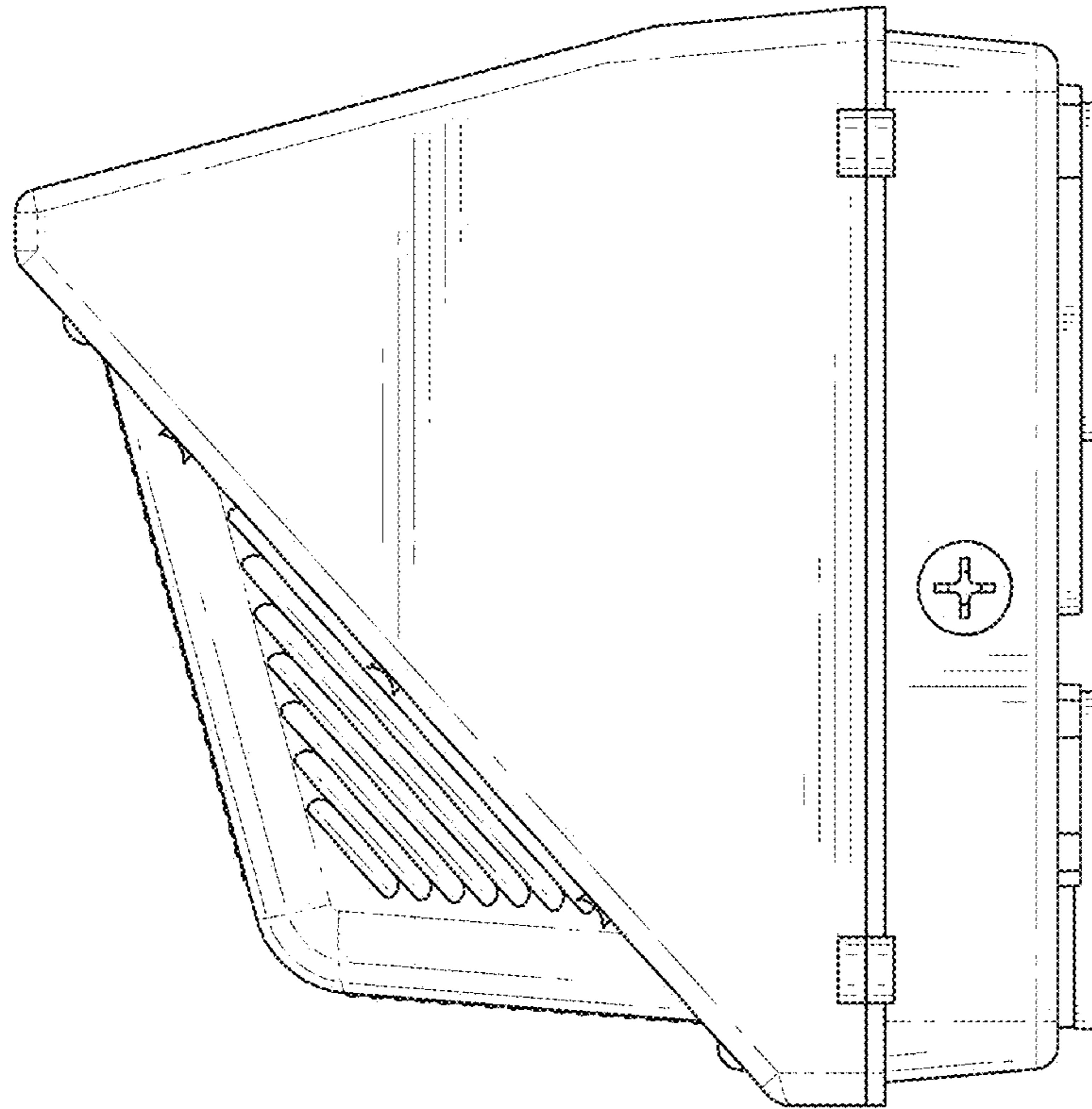


FIG. 4

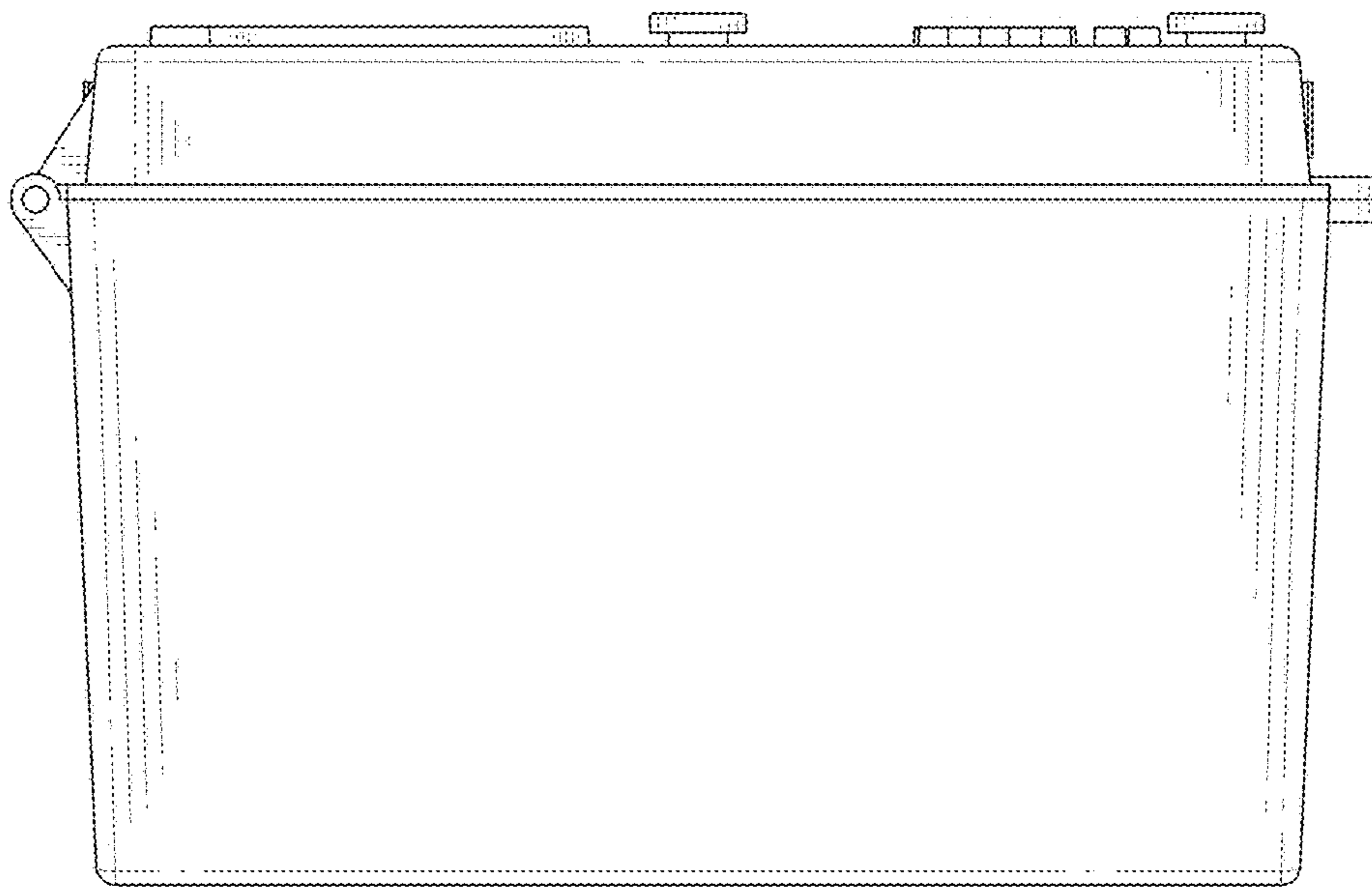


FIG. 5

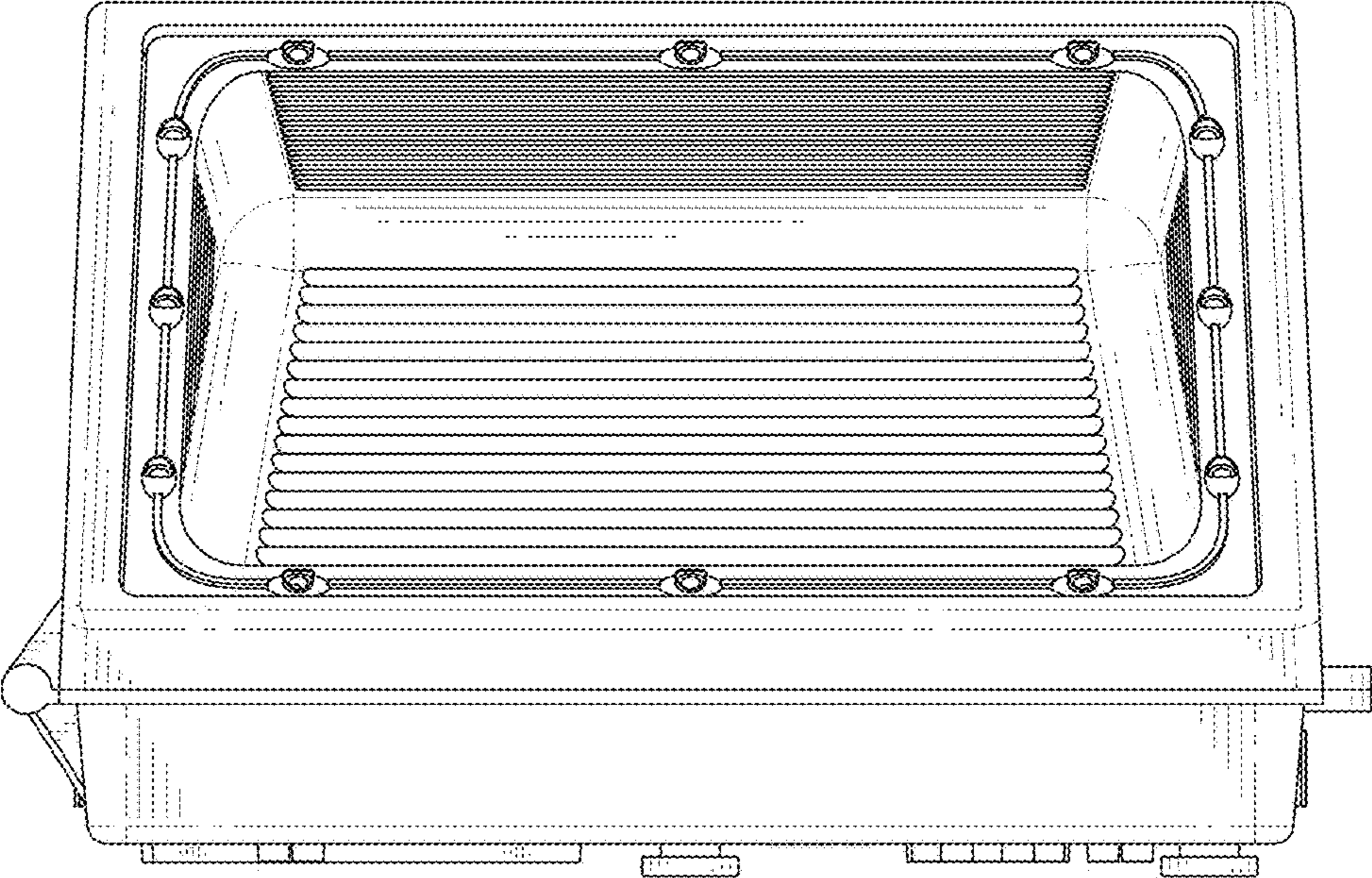


FIG. 6

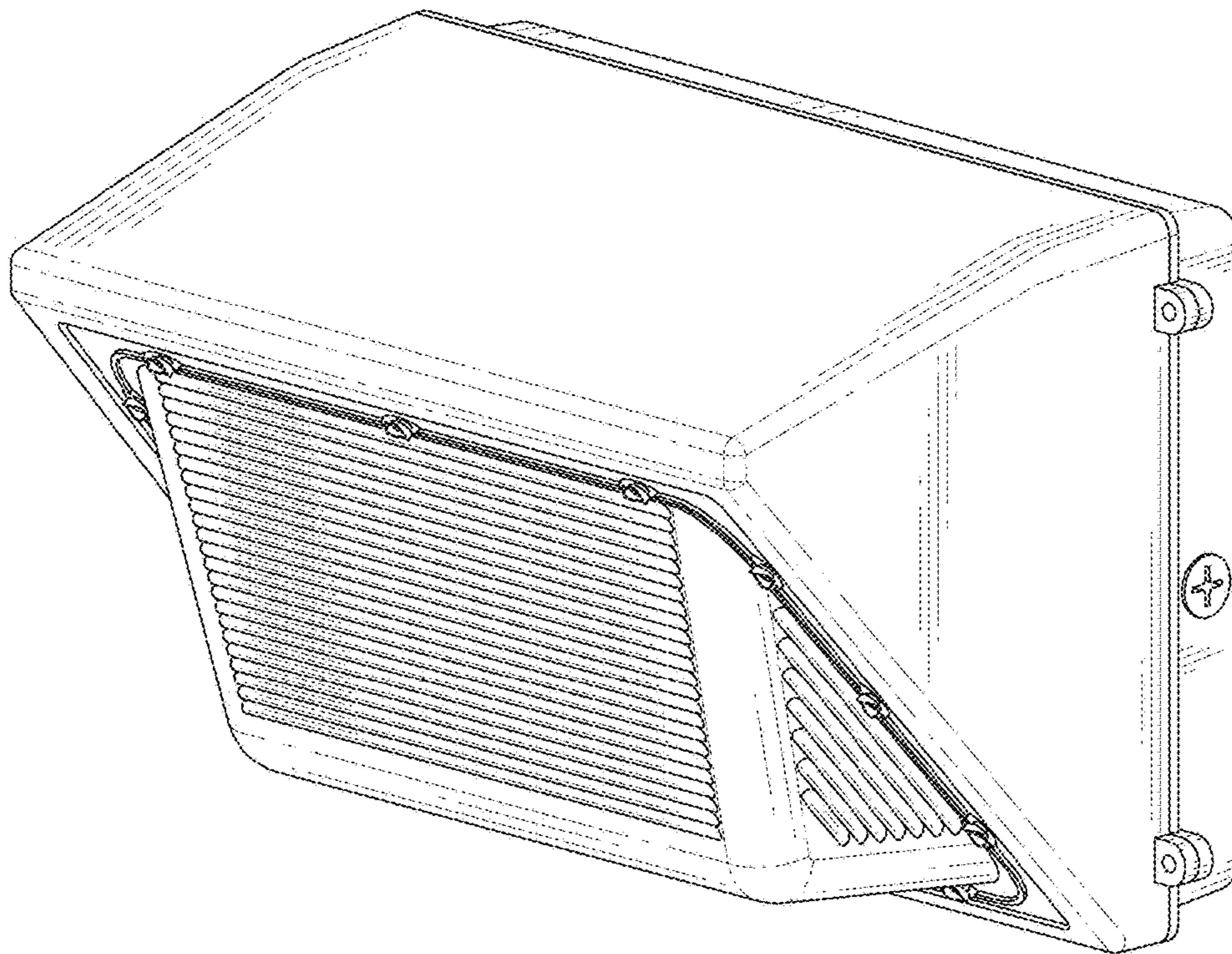


FIG. 7