



US00D833054S

(12) **United States Design Patent**
Lovegrove

(10) **Patent No.:** **US D833,054 S**

(45) **Date of Patent:** **** Nov. 6, 2018**

(54) **LAMP**

(71) Applicant: **ARTEMIDE S.p.A.**, Milan (IT)

(72) Inventor: **Ross Lovegrove**, Milan (IT)

(73) Assignee: **ARTEMIDE S.p.A.**, Milan (IT)

(**) Term: **15 Years**

(21) Appl. No.: **29/580,837**

(22) Filed: **Oct. 13, 2016**

(30) **Foreign Application Priority Data**

Apr. 13, 2016 (EM) 003066844

(51) **LOC (11) Cl.** **26-03**

(52) **U.S. Cl.**
USPC **D26/84; D26/90**

(58) **Field of Classification Search**
USPC D26/72, 73, 80, 81, 84, 85, 86, 87, 88,
D26/90, 91, 93, 103-105
CPC F21S 8/043; F21S 8/046; F21S 8/06; F21S
8/061; F21S 8/063; F21S 8/065; F21S
8/068; F21S 8/083
See application file for complete search history.

(56) **References Cited**

U.S. PATENT DOCUMENTS

7,997,768 B2 * 8/2011 Zheng F21S 8/06
362/294
D659,885 S * 5/2012 Holder D26/88

D659,887 S * 5/2012 Holder D26/88
D681,252 S * 4/2013 Graham D26/73
D681,256 S * 4/2013 Chilton D26/88
D681,257 S * 4/2013 Van Strander D26/118
D688,407 S * 8/2013 Renning D26/88
D703,365 S * 4/2014 Martin D26/88
D723,207 S * 2/2015 Wegrzyn D26/73
D805,676 S * 12/2017 Piano D26/88

* cited by examiner

Primary Examiner — Clare E Heflin

(74) *Attorney, Agent, or Firm* — The Belles Group, P.C.

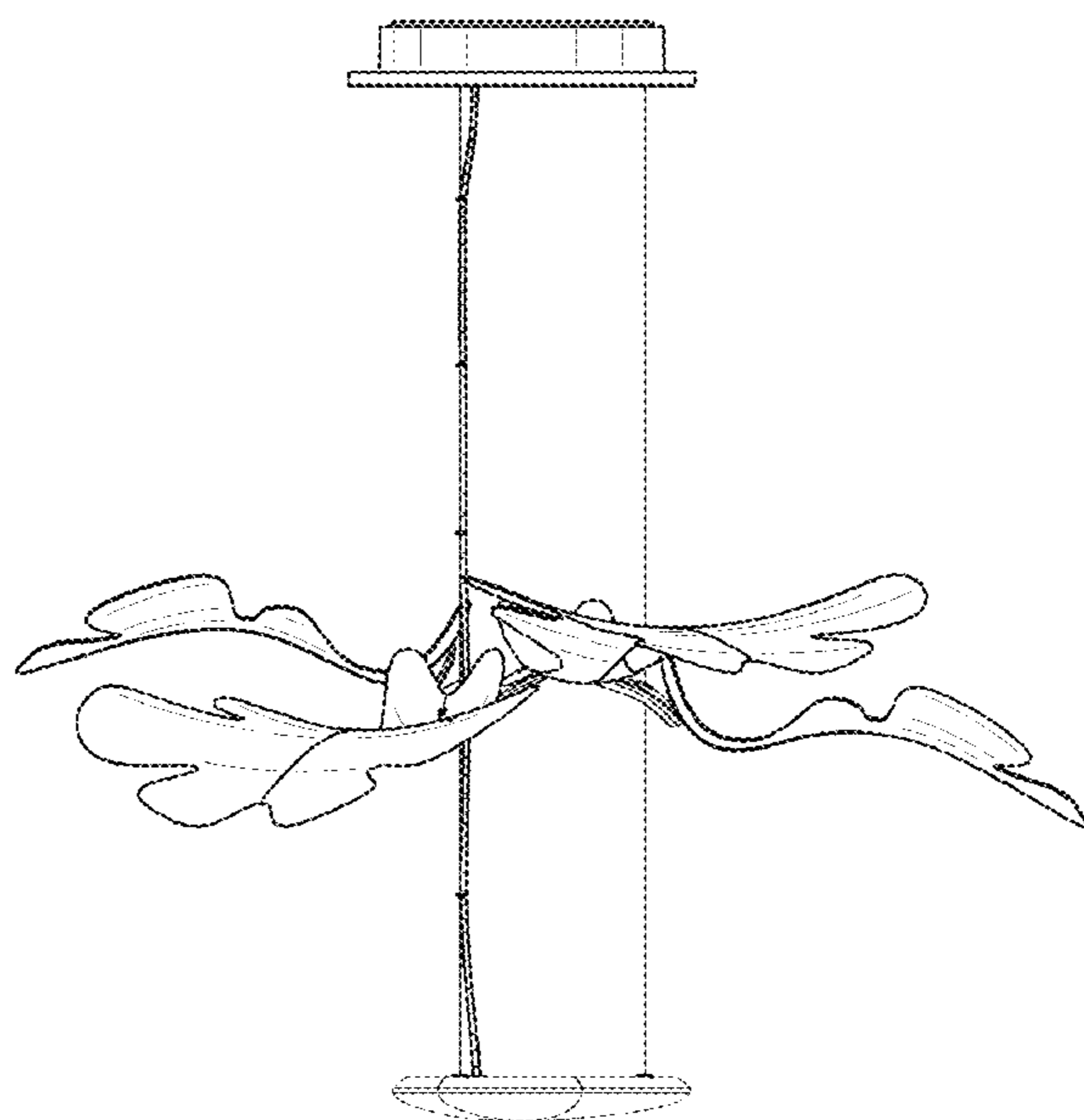
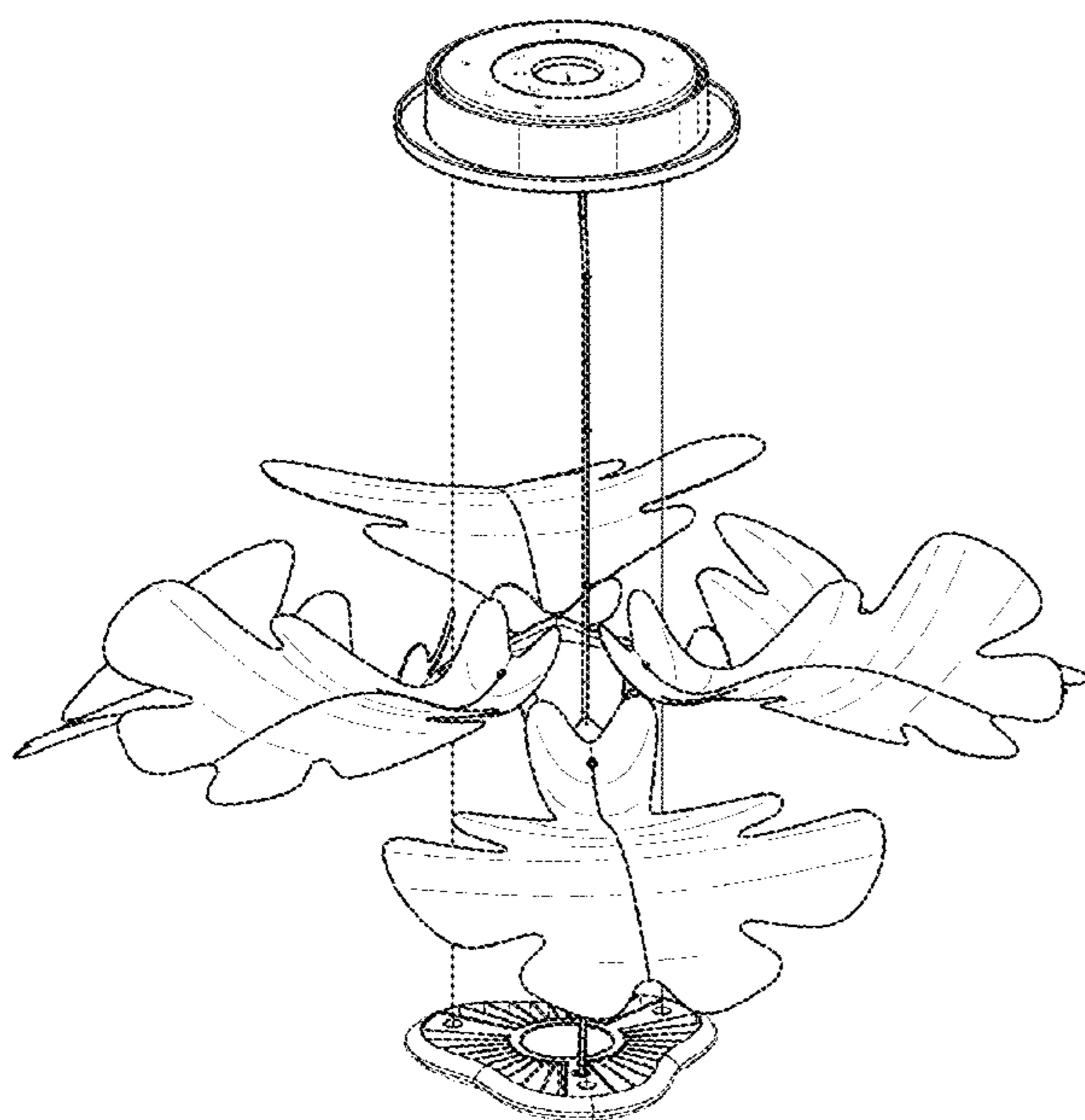
(57) **CLAIM**

I claim the ornamental design for a lamp, as shown and described.

DESCRIPTION

FIG. 1 is a perspective view of a lamp in accordance with the claimed design;
FIG. 2 is a side view thereof;
FIG. 3 is a front view thereof;
FIG. 4 is an opposite side view thereof;
FIG. 5 is a rear view thereof;
FIG. 6 is a bottom view thereof; and,
FIG. 7 is a top view thereof.
The broken lines in the drawings show portions of the article that form no part of the claimed design.

1 Claim, 7 Drawing Sheets



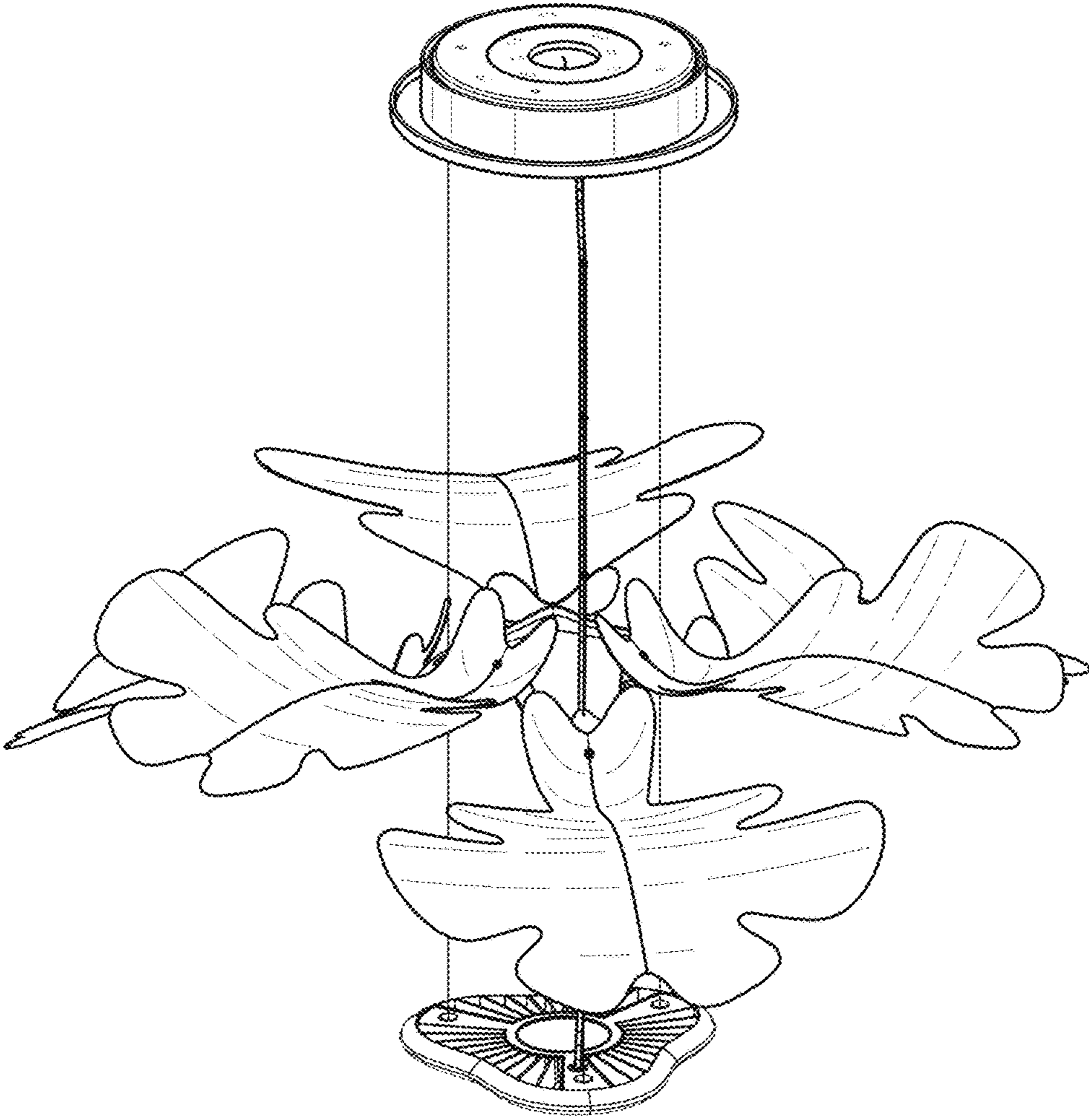


FIG. 1

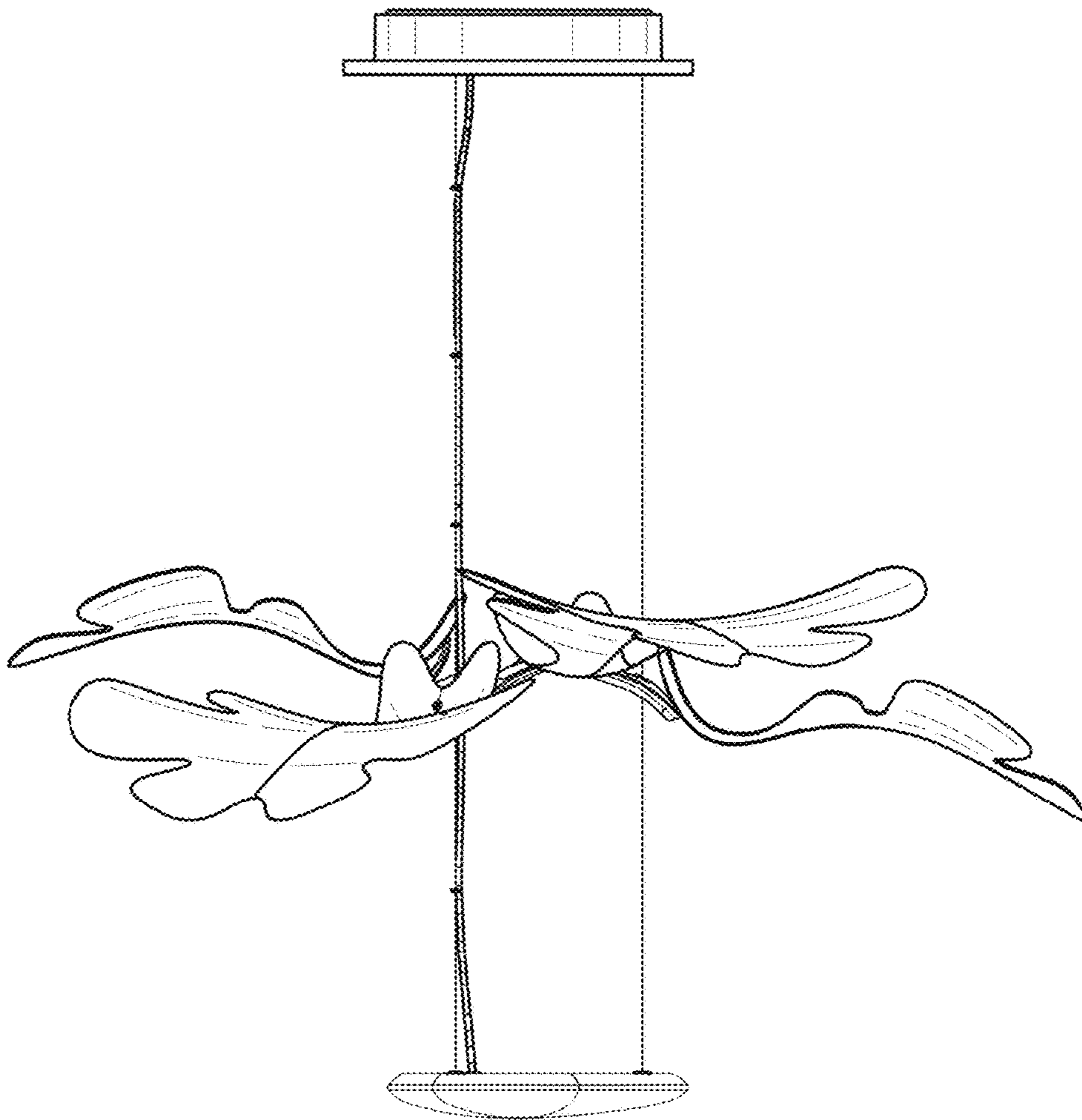


FIG. 2

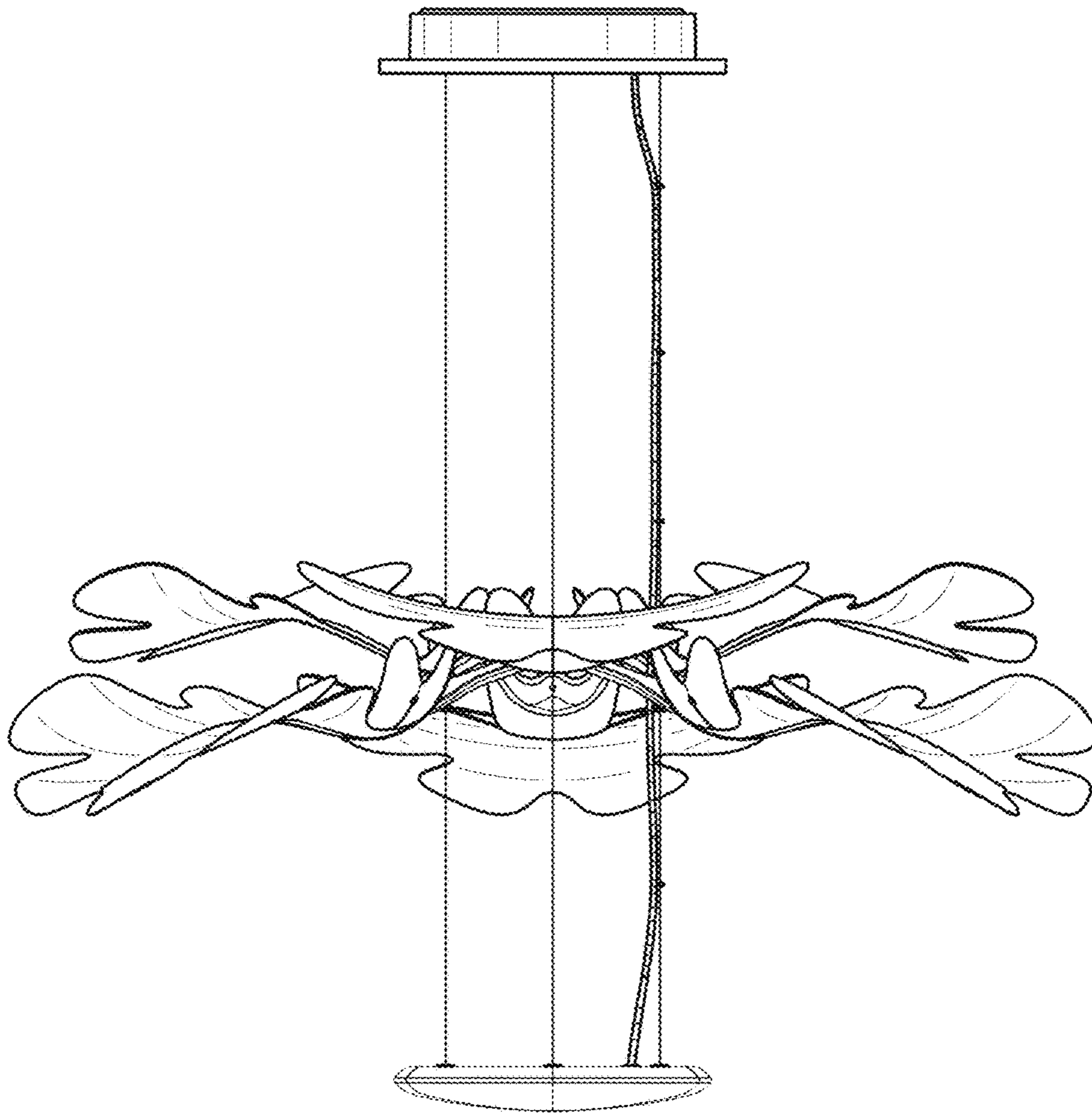


FIG. 3

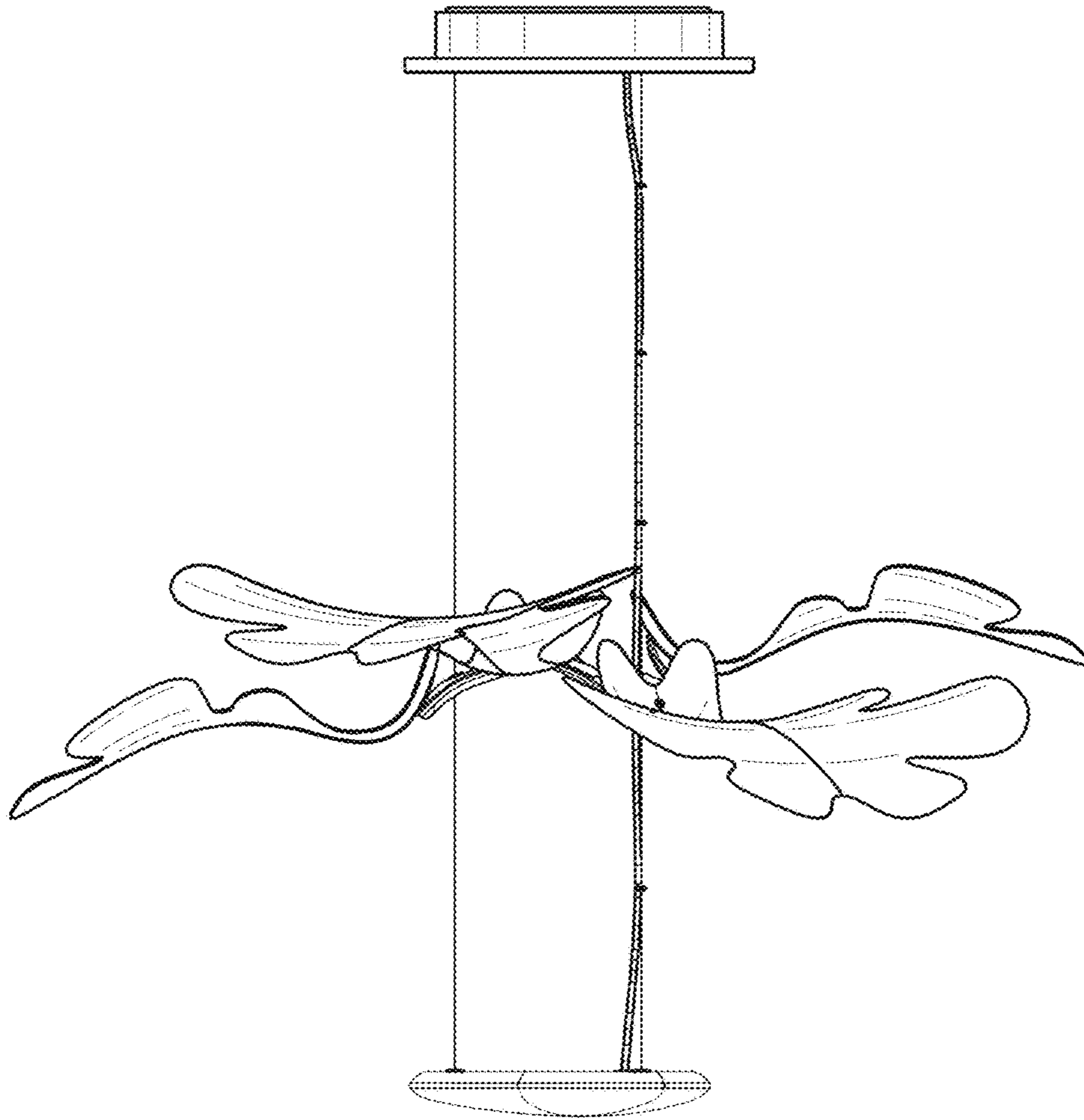


FIG. 4

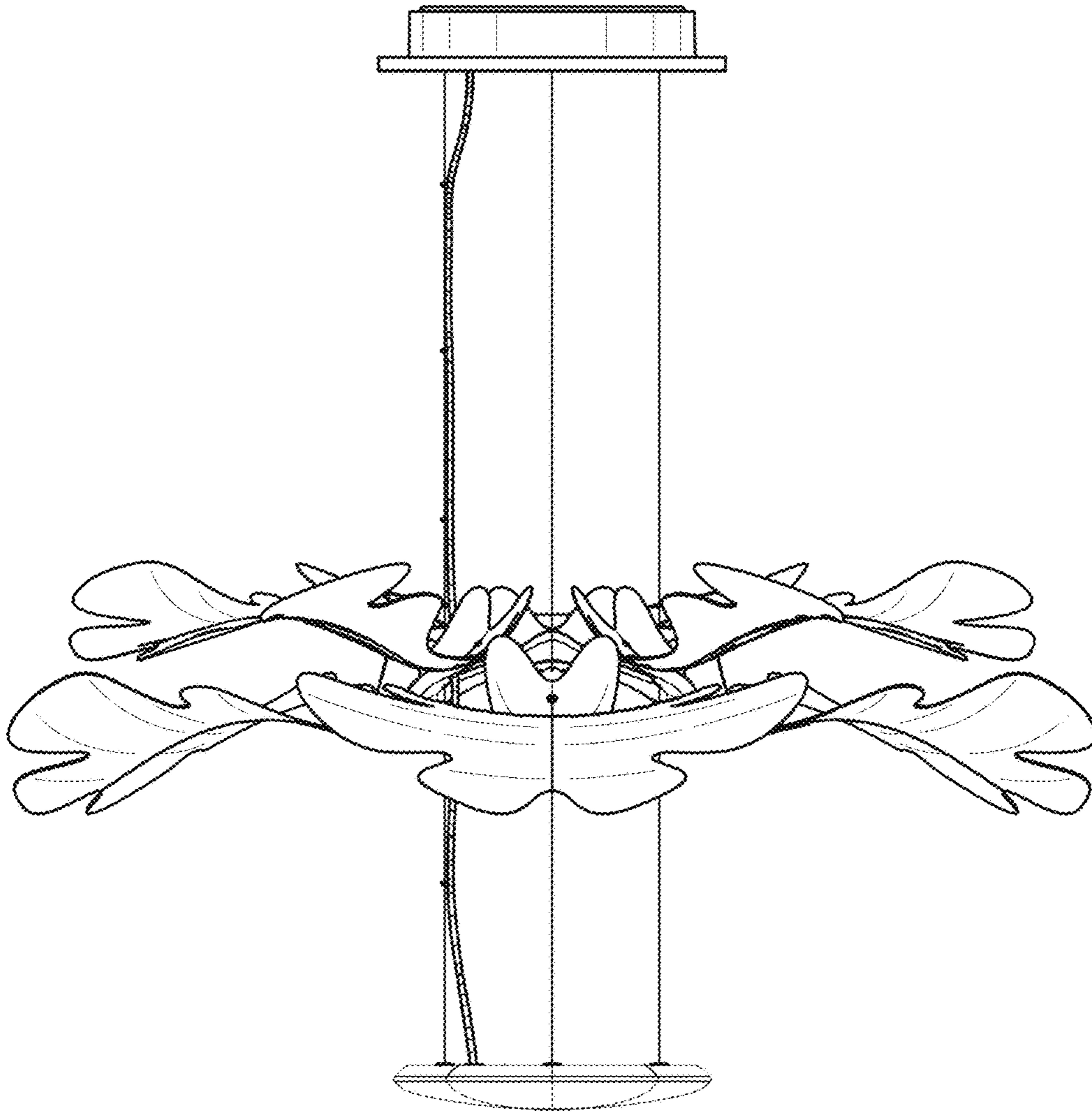


FIG. 5

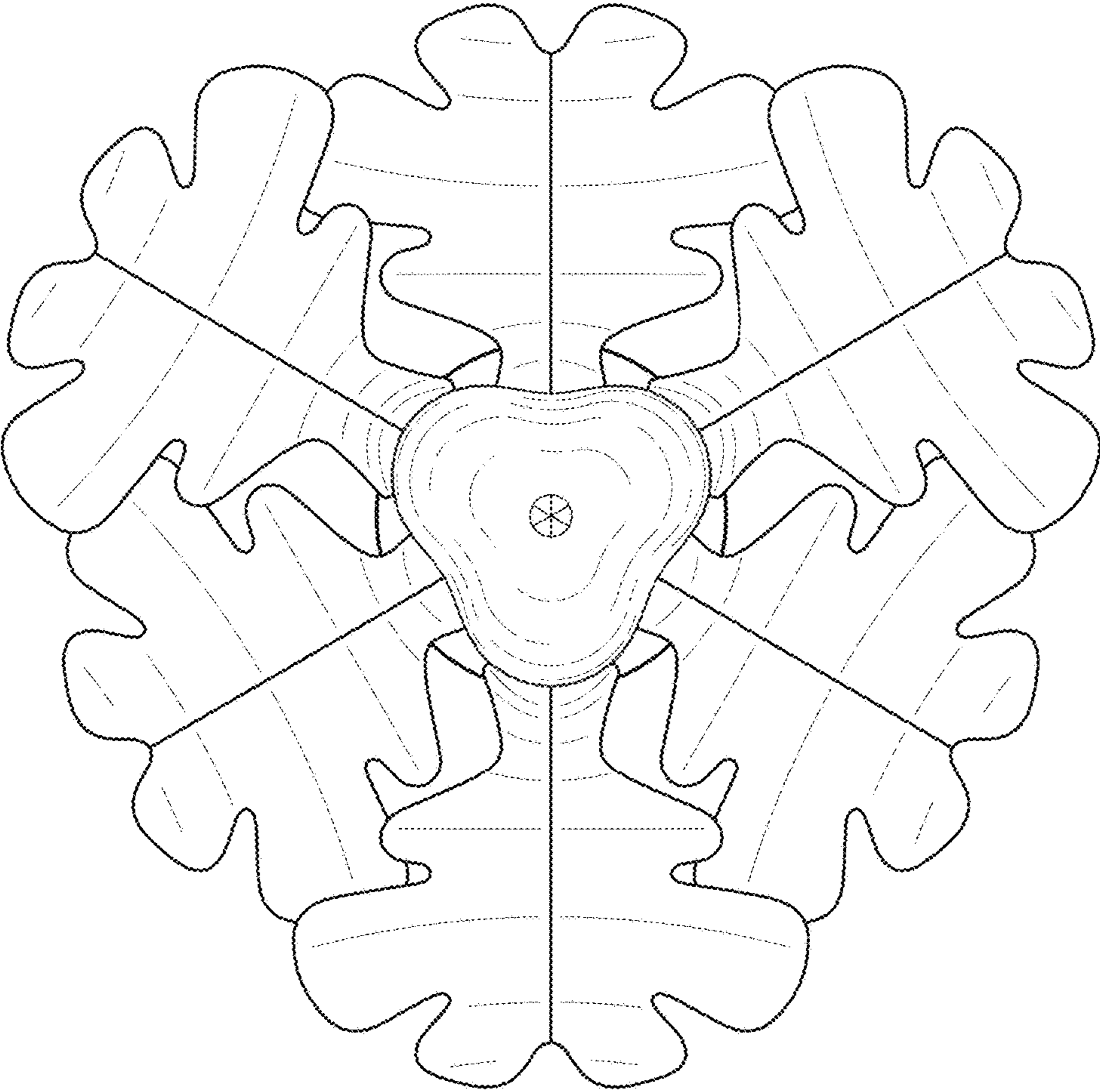


FIG. 6

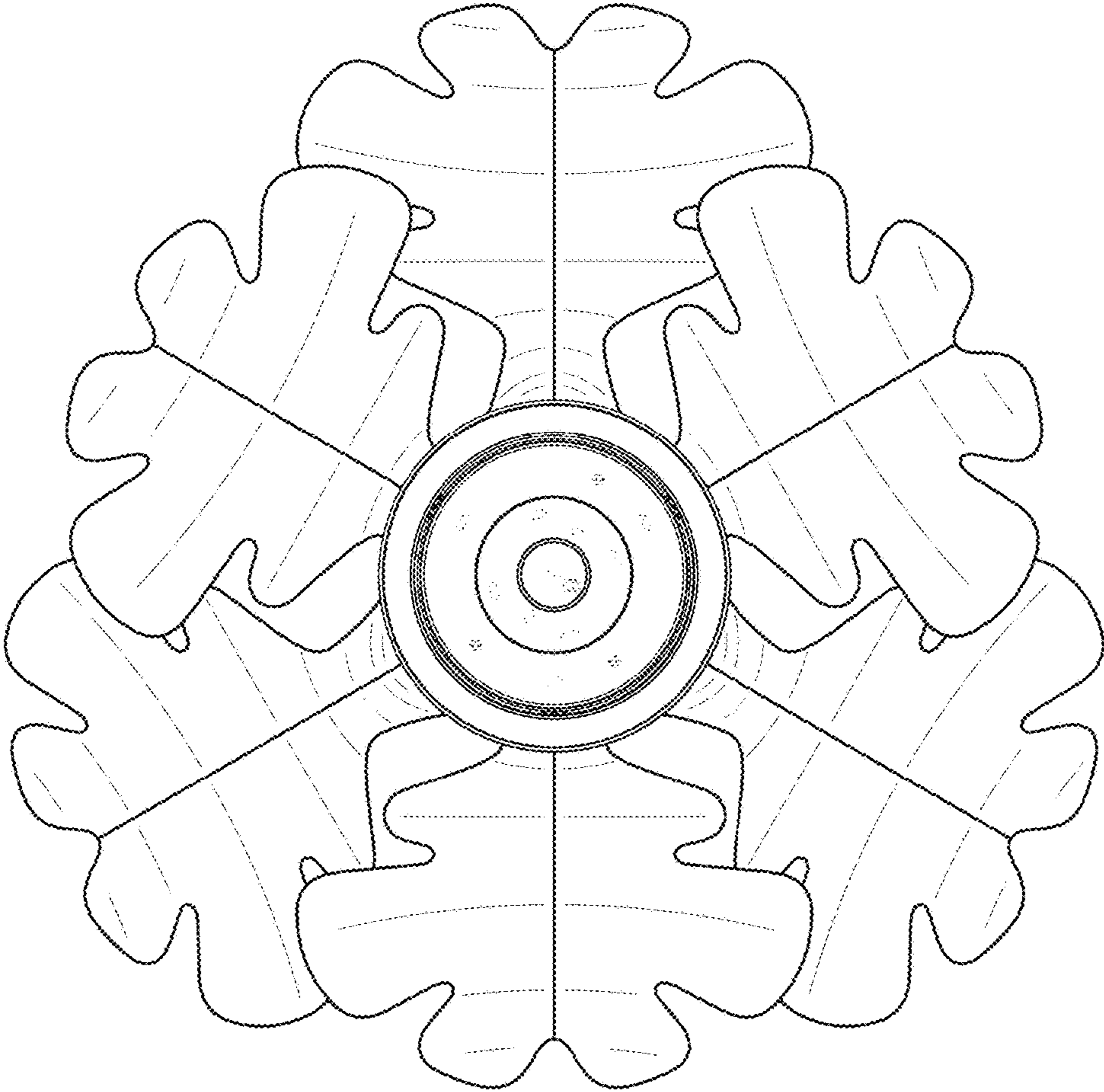


FIG. 7