



US00D833053S

(12) **United States Design Patent**
Tomlinson

(10) **Patent No.:** **US D833,053 S**
(45) **Date of Patent:** **** Nov. 6, 2018**

(54) **LIGHTING FIXTURE**

(71) Applicant: **Hinkley Lighting, Inc.**, Avon Lake, OH (US)

(72) Inventor: **Joel Tomlinson**, Westlake, OH (US)

(73) Assignee: **HINKLEY LIGHTING, INC.**, Avon Lake, OH (US)

(**) Term: **15 Years**

(21) Appl. No.: **29/577,419**

(22) Filed: **Sep. 23, 2016**

Related U.S. Application Data

(62) Division of application No. 29/531,341, filed on Jun. 25, 2015, now Pat. No. Des. 769,506, which is a division of application No. 29/479,727, filed on Jan. 17, 2014, now Pat. No. Des. 740,992.

(51) **LOC (11) Cl.** **26-03**

(52) **U.S. Cl.**
USPC **D26/81**

(58) **Field of Classification Search**
USPC D26/72, 80, 81, 84, 85, 86, 87, 88, 90
CPC F21S 8/043; F21S 8/046; F21S 8/06; F21S 8/061; F21S 8/063; F21S 8/065; F21S 8/068; F21S 8/083

See application file for complete search history.

(56) **References Cited**

U.S. PATENT DOCUMENTS

D35,908 S *	5/1902	Jamison	D26/81
D48,034 S	10/1915	McKinnie		
D62,512 S *	6/1923	Williamson	D26/80
D63,524 S *	12/1923	Warman	D26/80
D69,895 S *	4/1926	Kranz	D26/84
D71,558 S *	11/1926	Levitan	D26/81
1,762,565 A	6/1930	Tillson et al.		

D95,202 S	4/1935	Glatthar et al.
D208,659 S	9/1967	Koziol
D208,941 S	10/1967	Koziol
D221,982 S	9/1971	Little
D225,676 S	12/1972	Bankert et al.
D227,925 S	7/1973	Husby et al.
D293,483 S	12/1987	Glassman
D302,479 S	7/1989	Bohler
D345,433 S	3/1994	Gruber et al.
D427,350 S	6/2000	Landefeld

(Continued)

Primary Examiner — Clare E Heflin

(74) *Attorney, Agent, or Firm* — Pearne & Gordon LLP

(57) **CLAIM**

The ornamental design for a lighting fixture, as shown and described.

DESCRIPTION

FIGS. 1-7 are drawings of a first embodiment of the lighting fixture wherein:

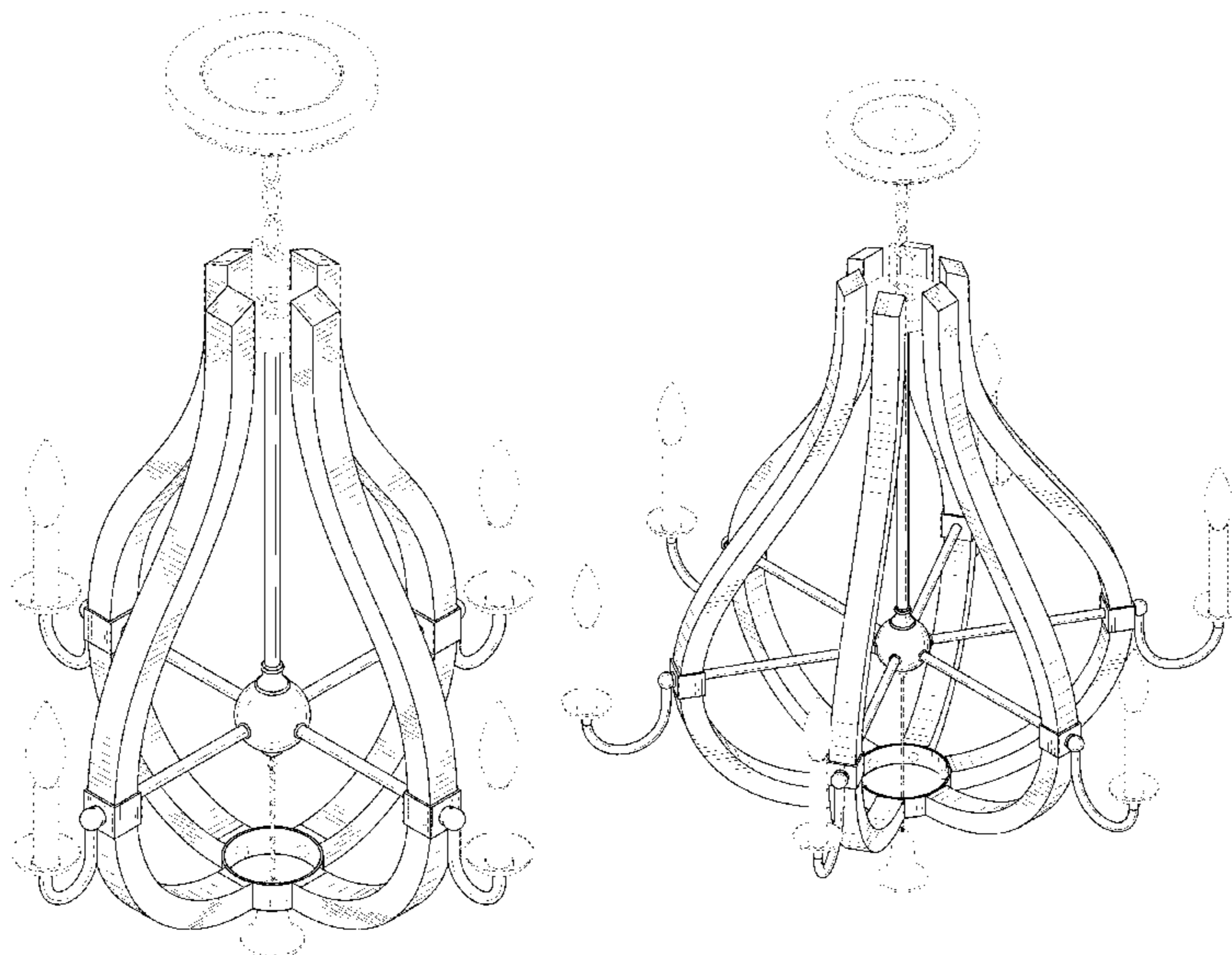
- FIG. 1 is a top plan view;
- FIG. 2 is a bottom plan view;
- FIG. 3 is a left side elevation view;
- FIG. 4 is a front elevation view;
- FIG. 5 is a right side elevation view;
- FIG. 6 is a top perspective view; and
- FIG. 7 is a bottom perspective view.

FIGS. 8-14 are drawings of a second embodiment of the lighting fixture wherein:

- FIG. 8 is a top plan view;
- FIG. 9 is a left side elevation view;
- FIG. 10 is a front elevation view;
- FIG. 11 is a right side elevation view;
- FIG. 12 is a bottom plan view;
- FIG. 13 is a top perspective view; and,
- FIG. 14 is a bottom perspective view.

The broken lines shown are the drawings depict portions of the lighting fixture that form no part of the claimed design.

1 Claim, 14 Drawing Sheets



(56)

References Cited

U.S. PATENT DOCUMENTS

D441,120	S	4/2001	Hsu	
D445,940	S	7/2001	Davis, Jr.	
D492,439	S *	6/2004	Cuevas	D26/84
D500,161	S	12/2004	Bucher et al.	
D509,614	S	9/2005	Mandell et al.	
D518,592	S *	4/2006	Brunner	D26/81
D519,665	S *	4/2006	Chen	D26/81
D531,340	S	10/2006	Victor	
D534,295	S *	12/2006	Chen	D26/81
D535,427	S	1/2007	Chandler	
D539,462	S	3/2007	Dolan	
D539,964	S	4/2007	Hsu	
D552,293	S	10/2007	Silver	
D577,850	S	9/2008	Nicholas	
D586,493	S	2/2009	Parres	
D589,194	S	3/2009	Sabernig	
D603,551	S *	11/2009	Carlson	D26/81
D605,332	S	12/2009	Miranda	
D607,137	S	12/2009	Chen	
D659,278	S *	5/2012	Sage	D26/81
D660,499	S *	5/2012	Sage	D26/81
D663,063	S	7/2012	Yang	
D666,765	S	9/2012	Orozco	
D684,293	S	6/2013	Lastimosa	
D694,940	S	12/2013	Dolan	
D706,971	S	6/2014	Walsh	
D715,475	S	10/2014	Nankil	
2009/0213581	A1 *	8/2009	Gauger	F21S 8/065 362/161

* cited by examiner

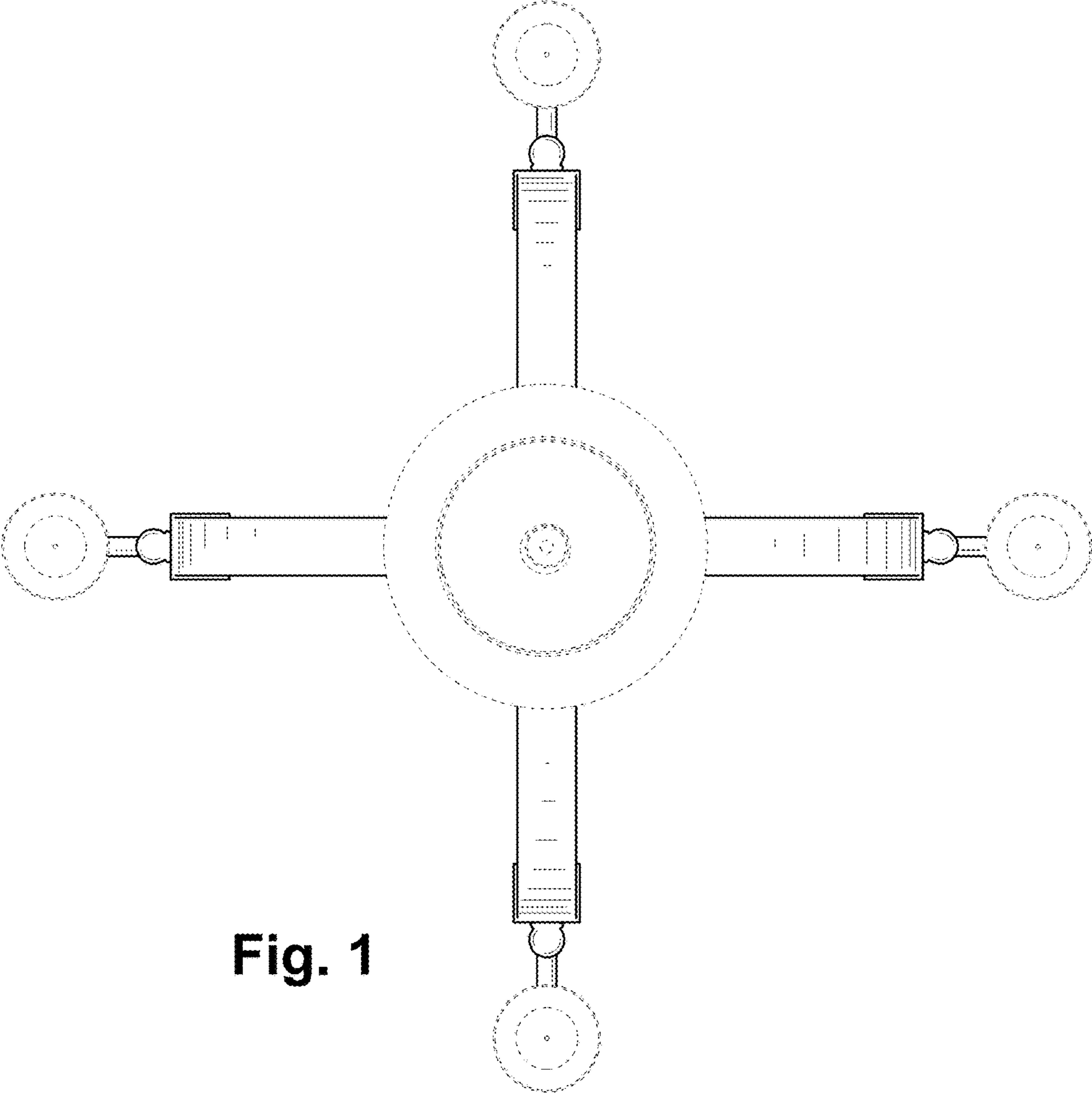


Fig. 1

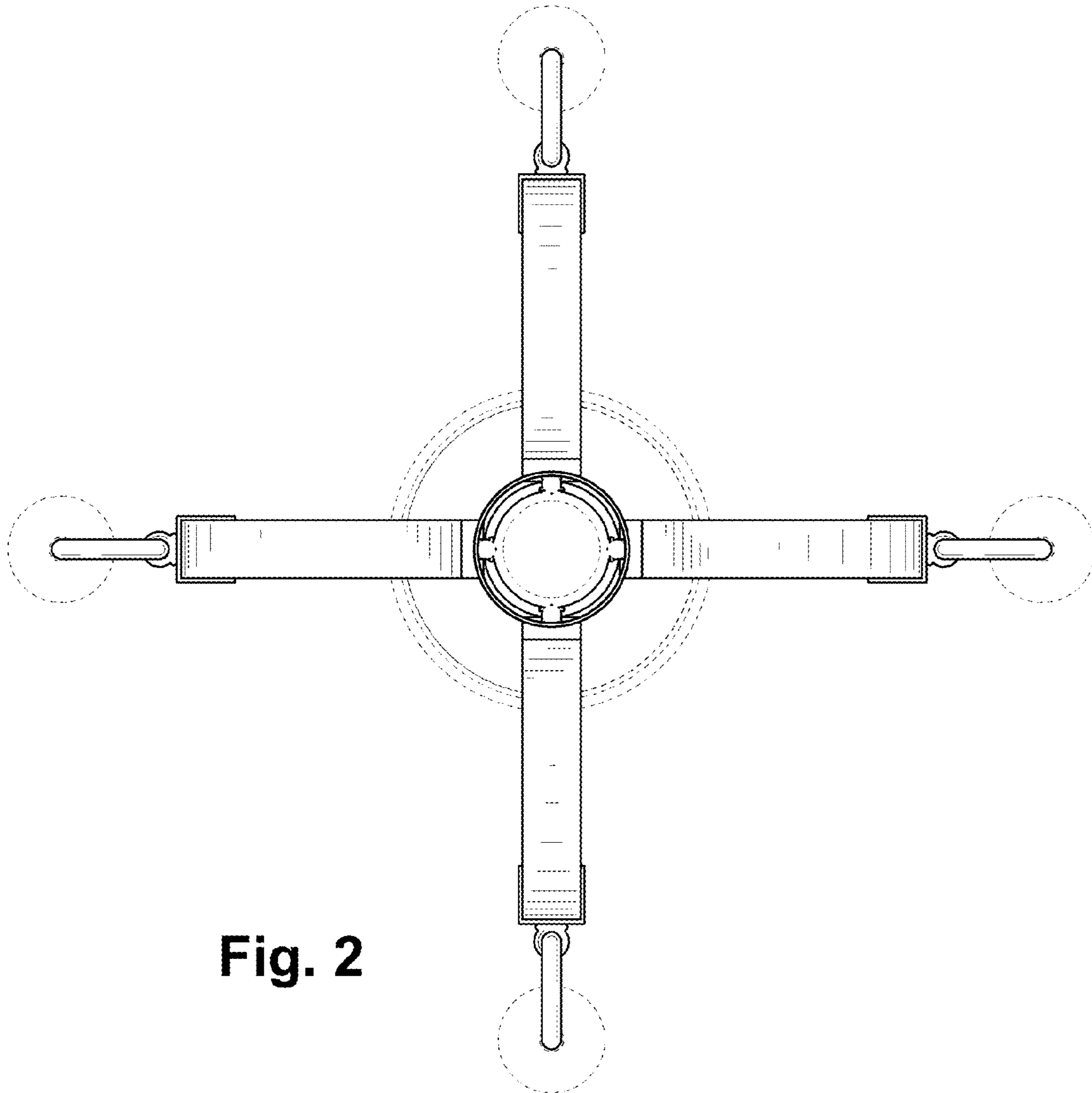


Fig. 2

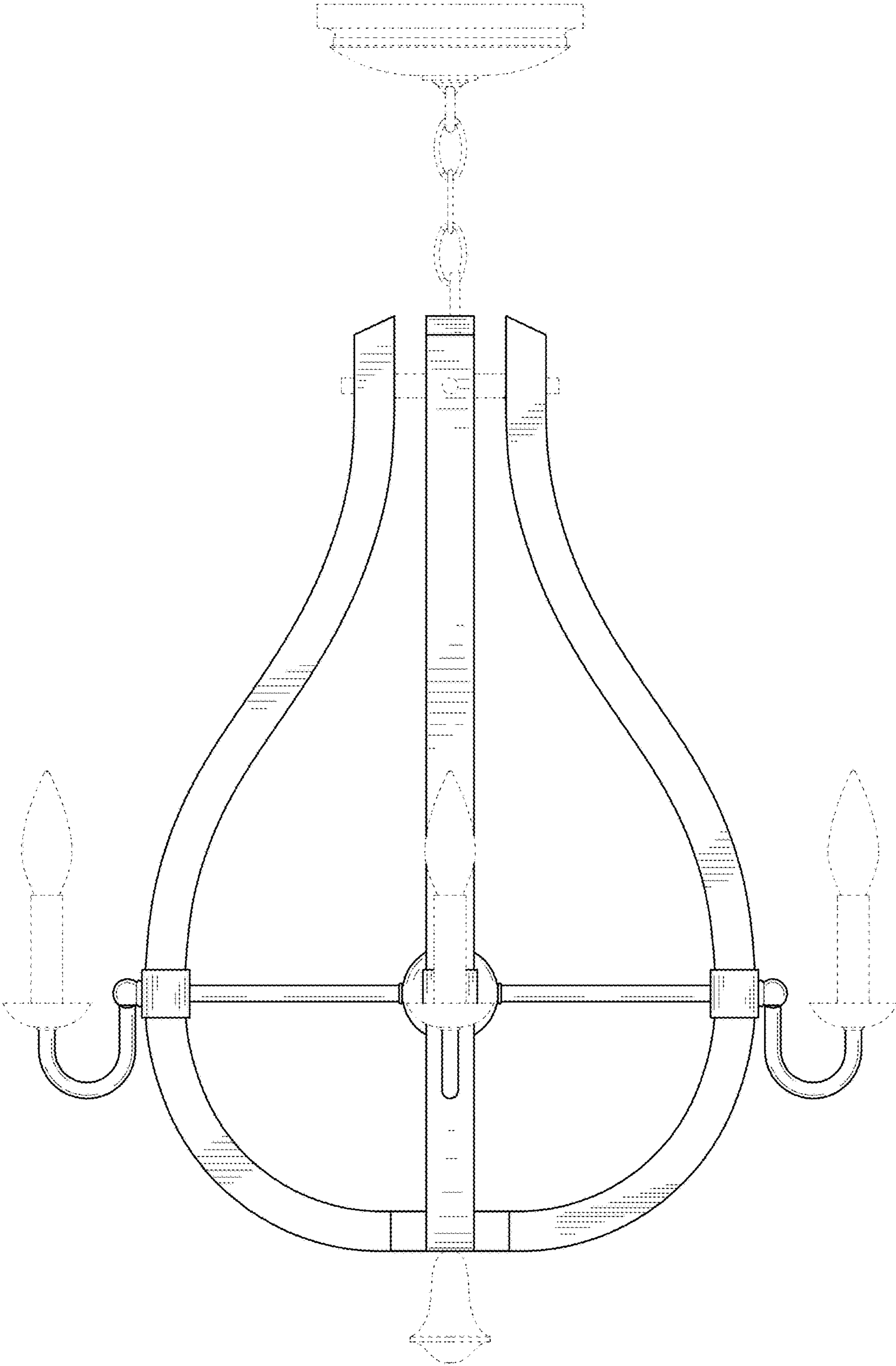


Fig. 3

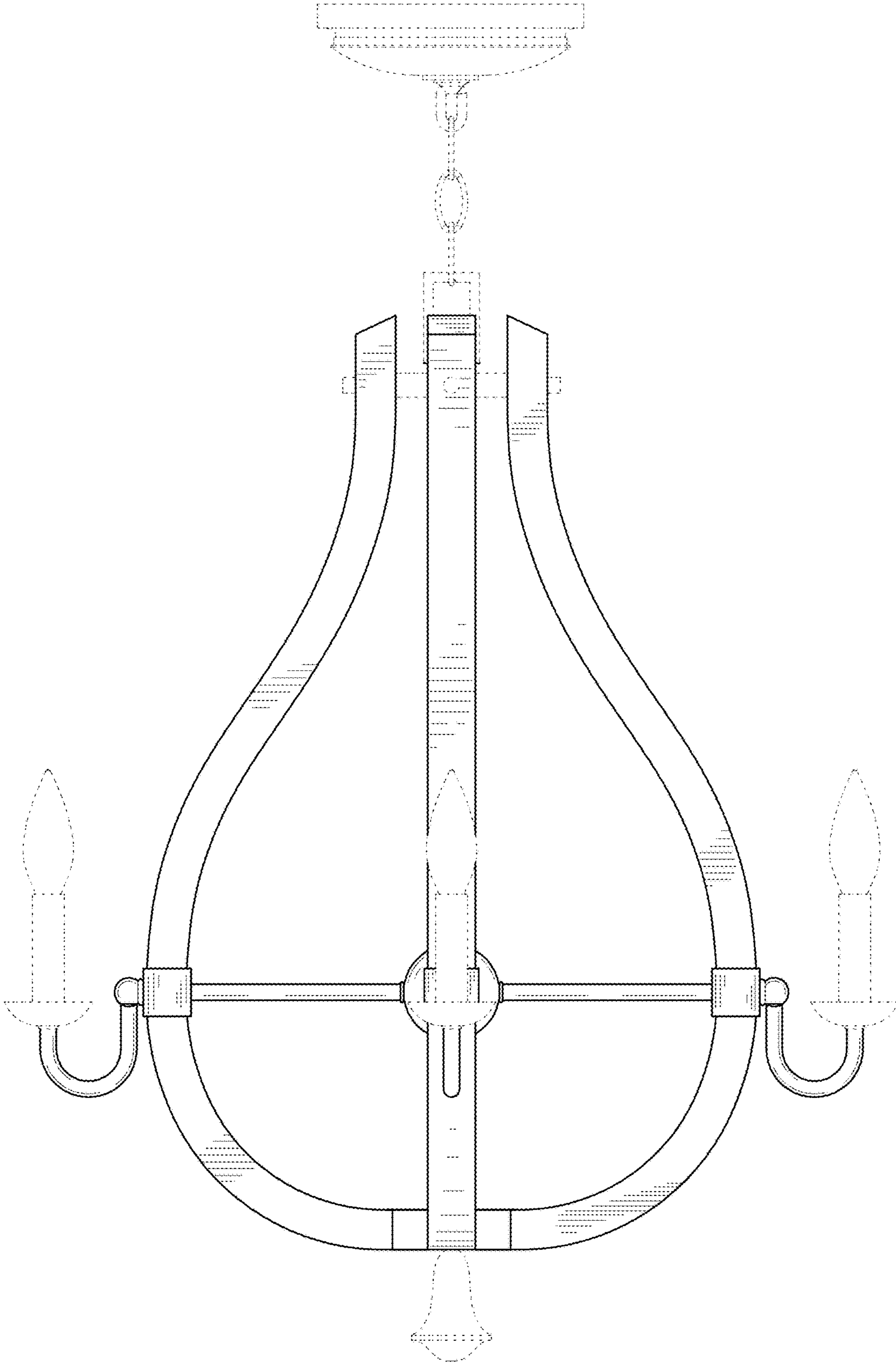


Fig. 4

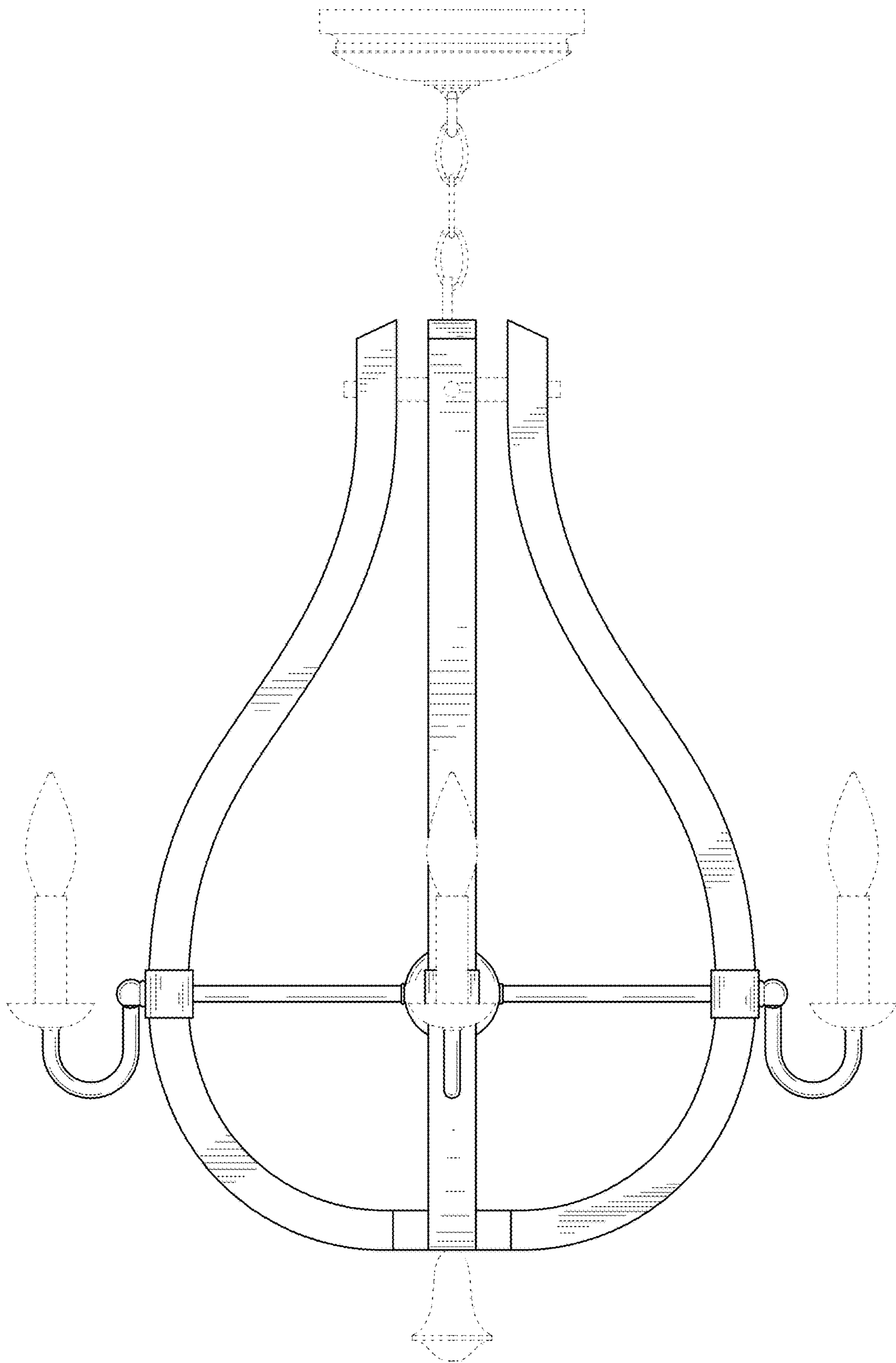


Fig. 5

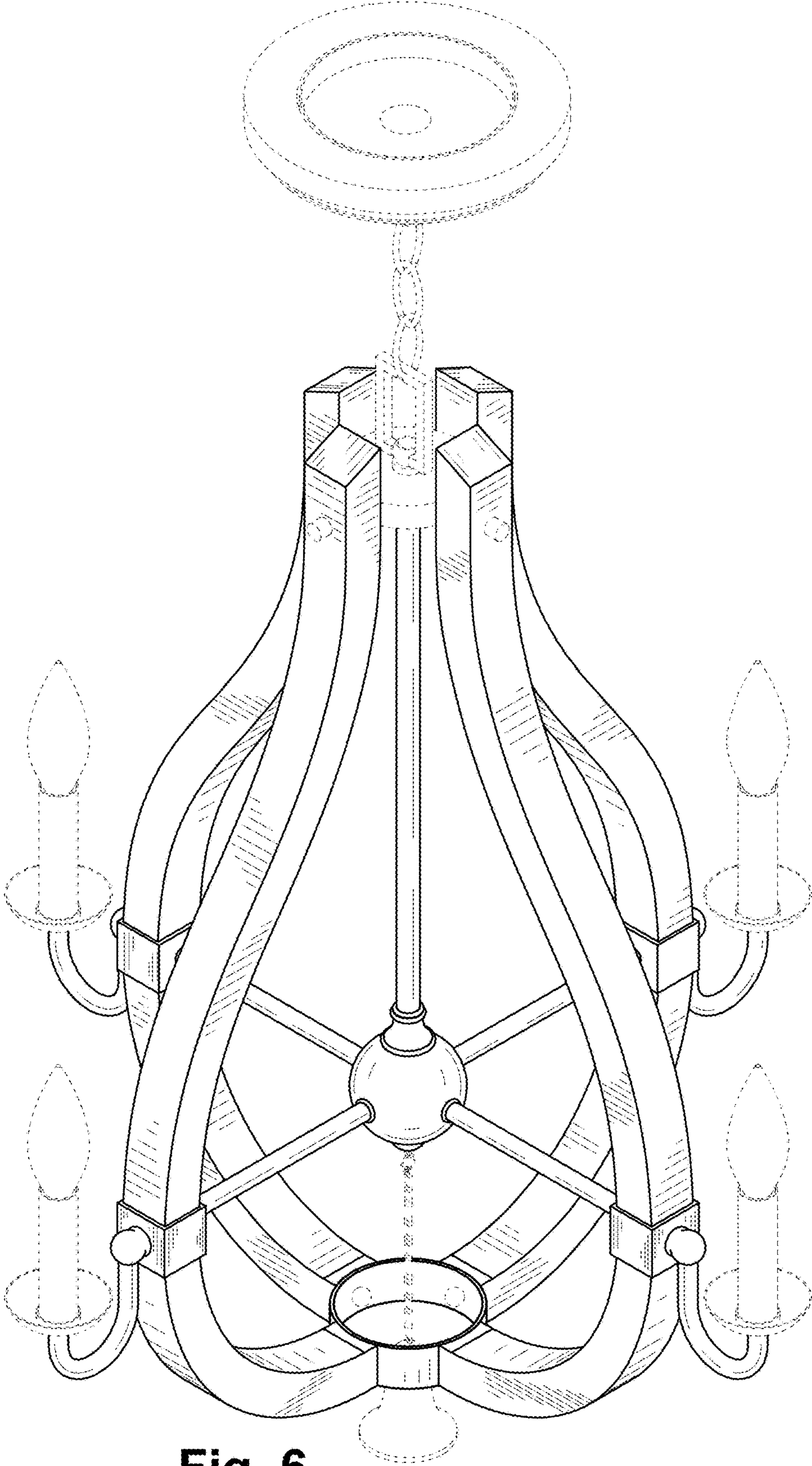


Fig. 6

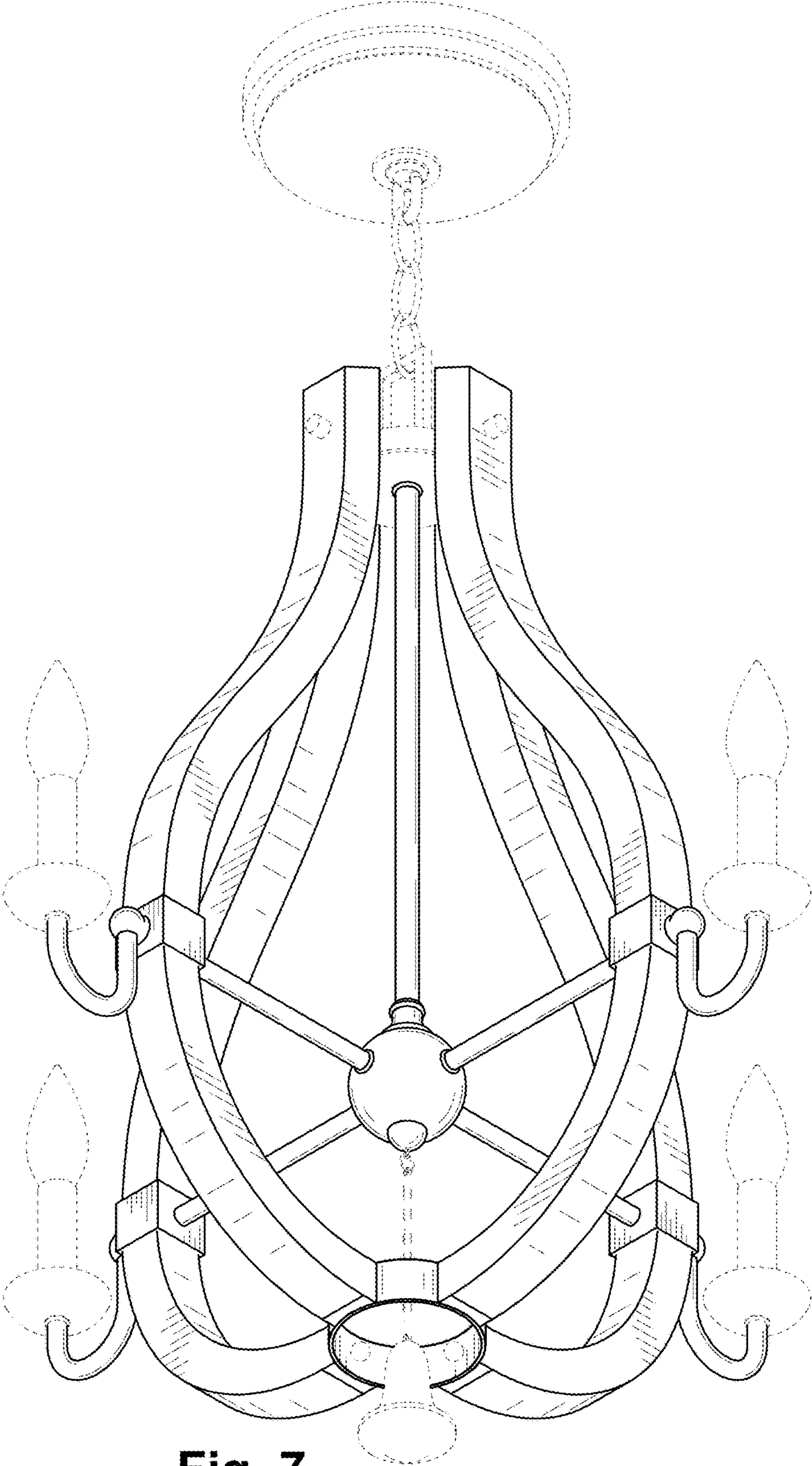


Fig. 7

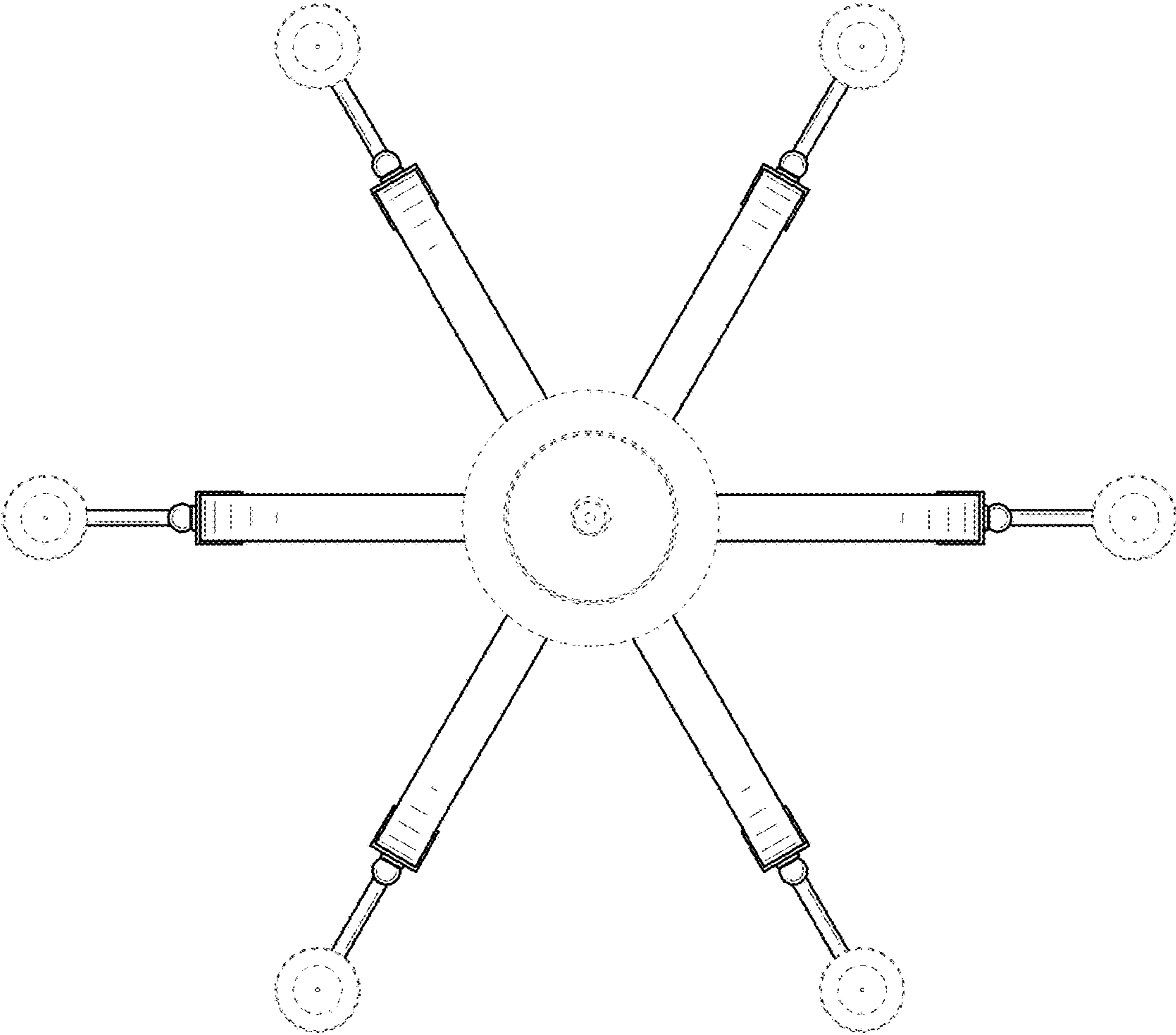


Fig. 8

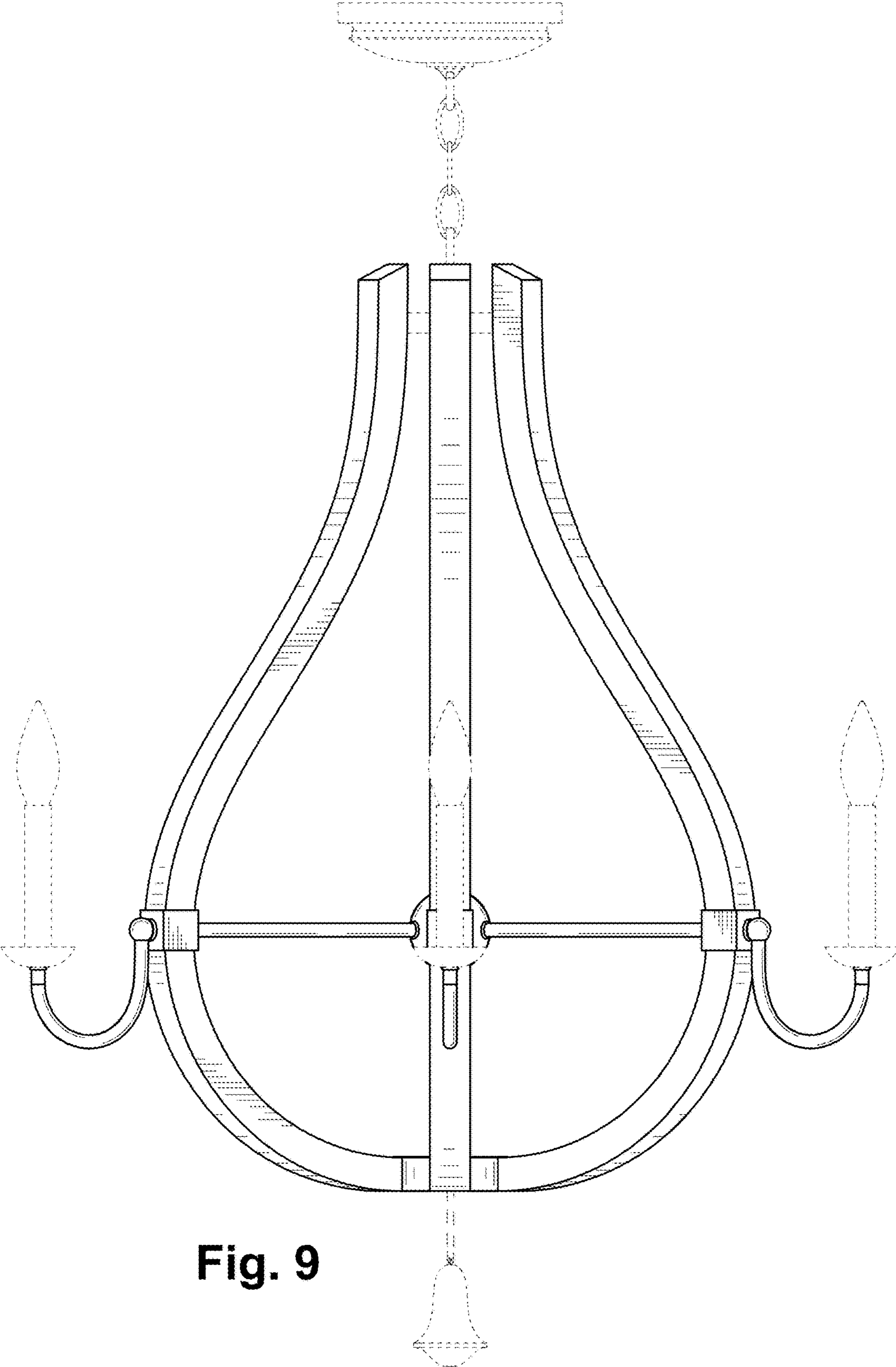


Fig. 9

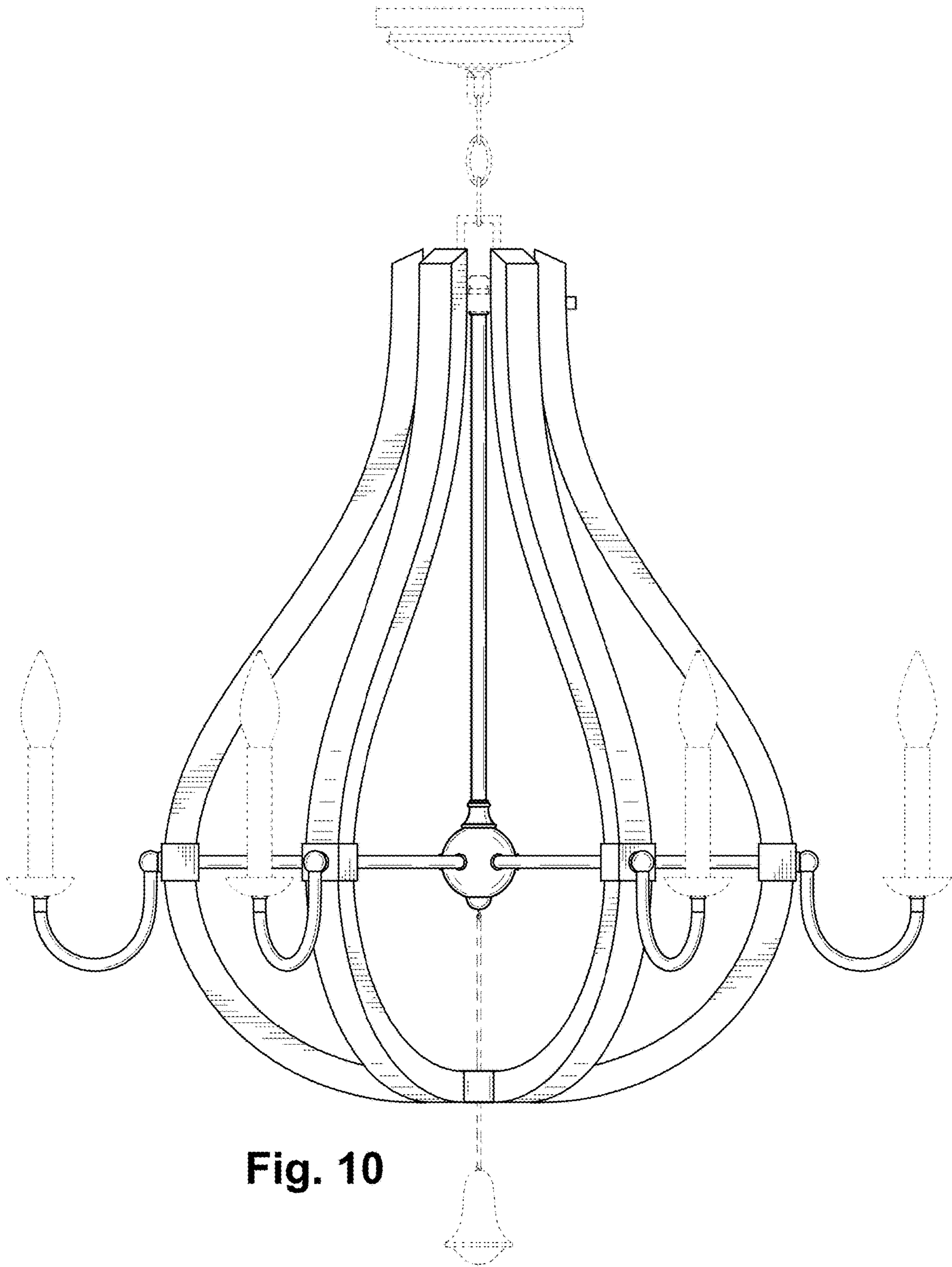


Fig. 10

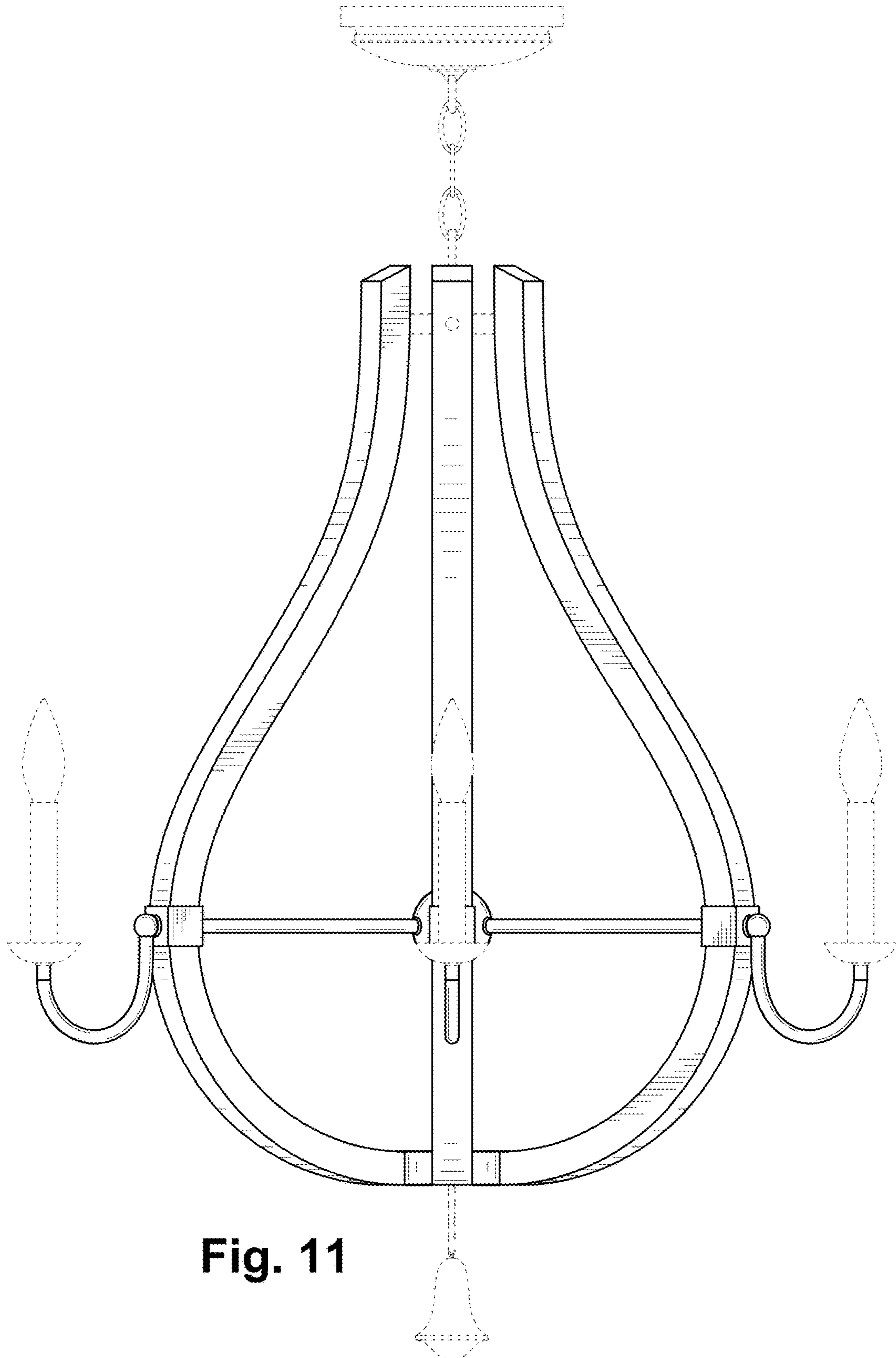


Fig. 11

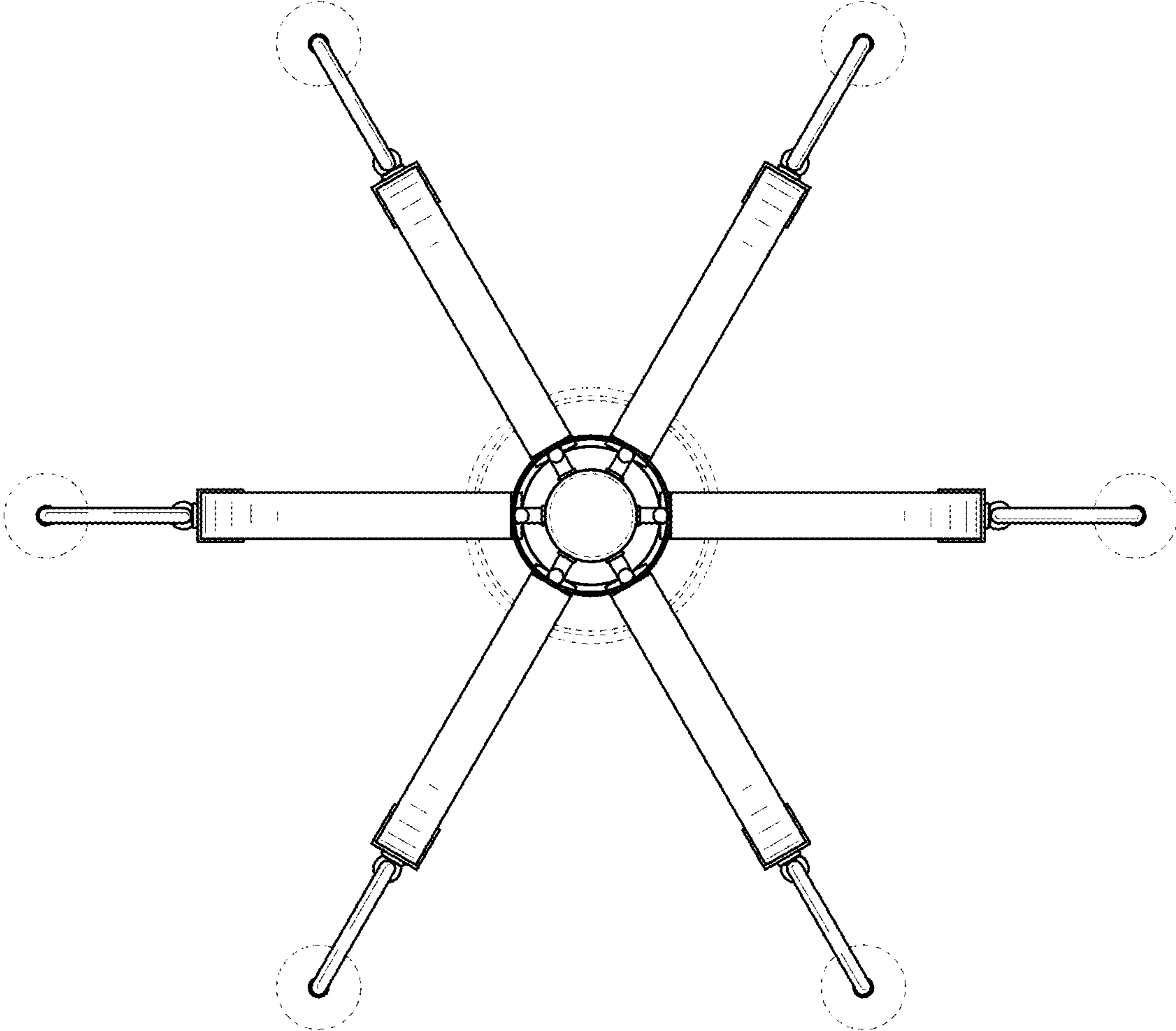


Fig. 12

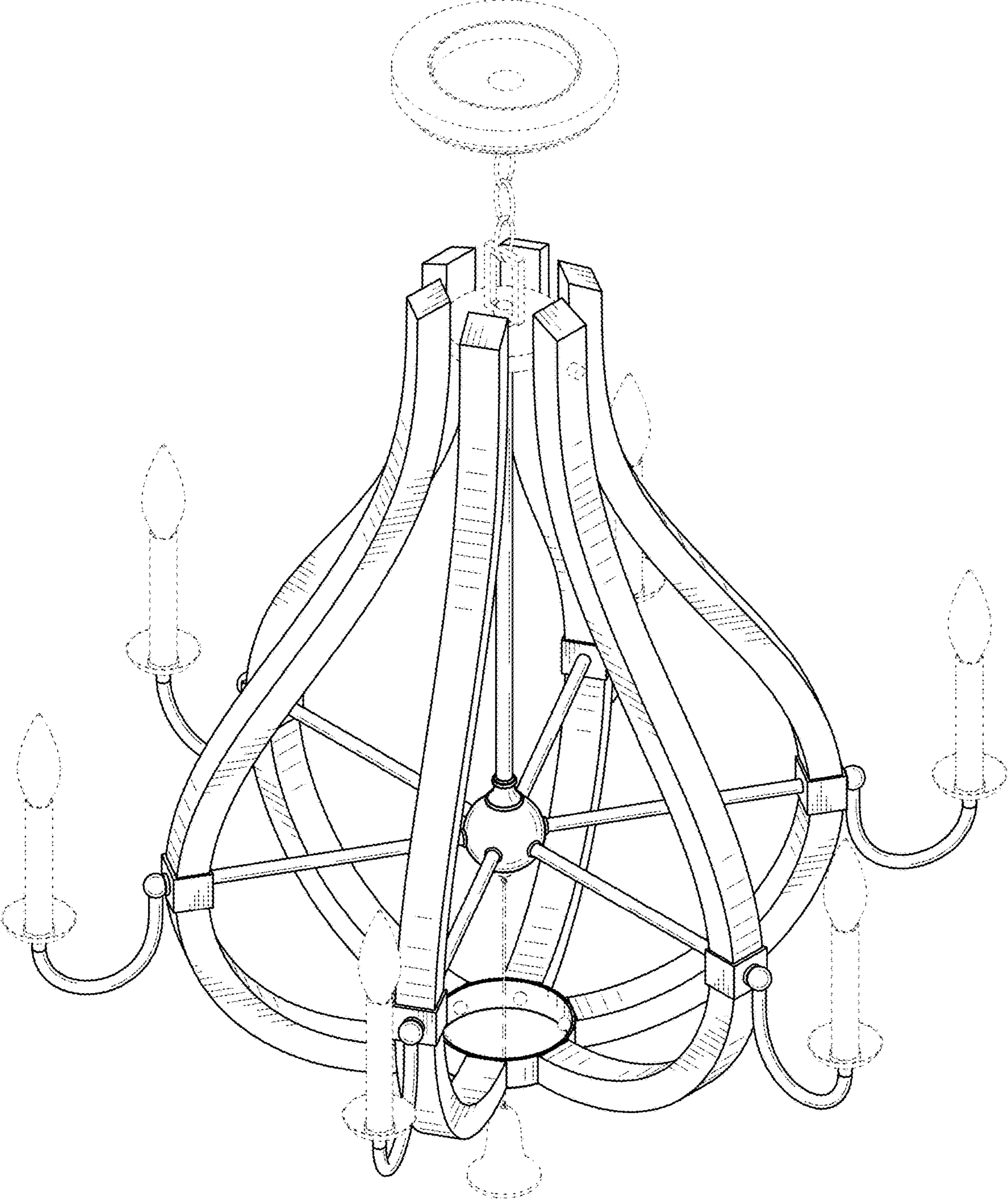


Fig. 13

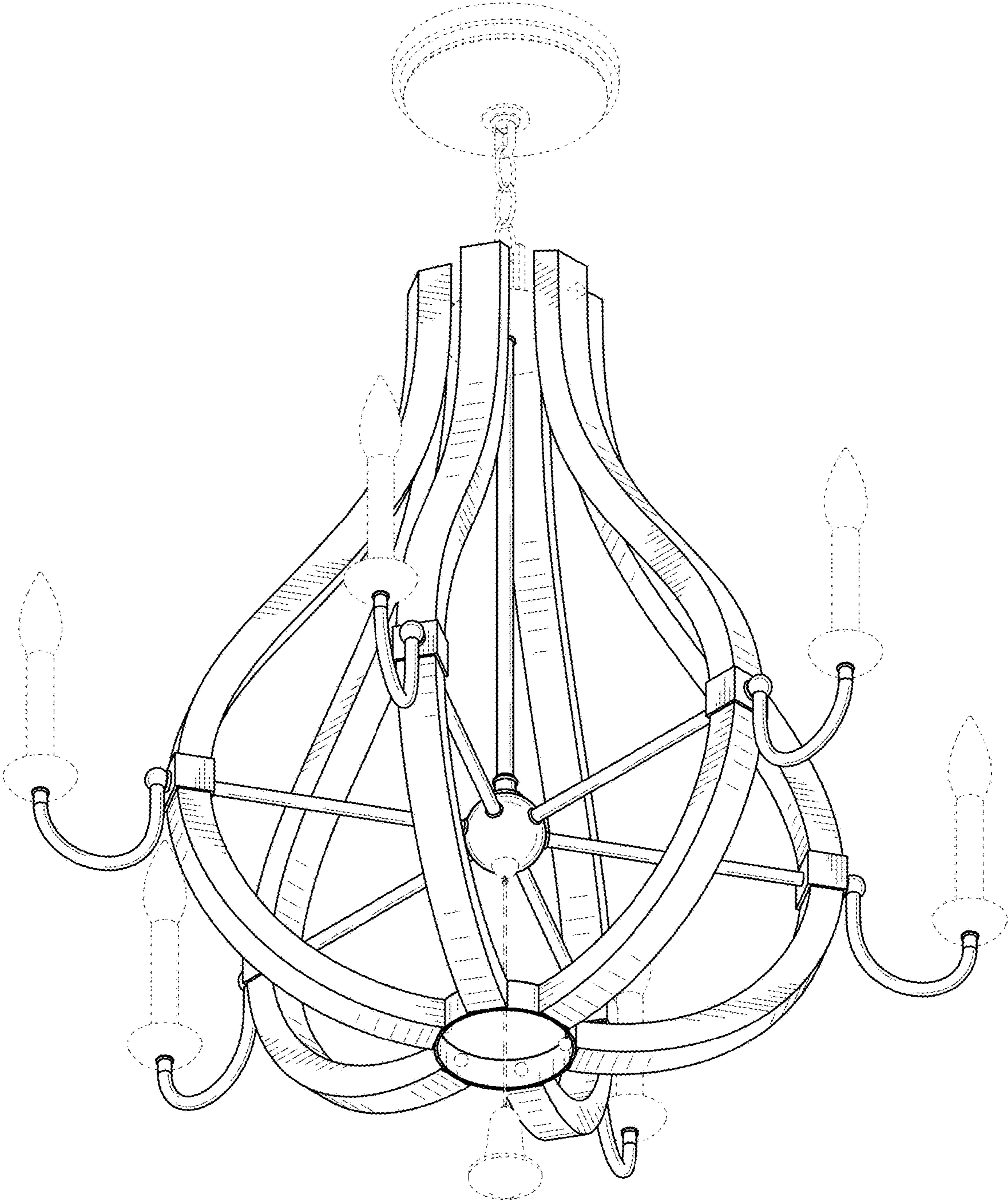


Fig. 14