



US00D833052S

(12) **United States Design Patent** (10) **Patent No.:** **US D833,052 S**
Verfuерth et al. (45) **Date of Patent:** **** Nov. 6, 2018**

- (54) **LIGHTING FIXTURE**
- (71) Applicant: **Energy Bank Incorporated,**
Manitowoc, WI (US)
- (72) Inventors: **Neal R. Verfuерth,** Manitowoc, WI
(US); **Brandon James King,**
Manitowoc, WI (US)
- (73) Assignee: **Energy Bank Incorporated,**
Manitowoc, WI (US)
- (**) Term: **15 Years**
- (21) Appl. No.: **29/565,886**
- (22) Filed: **May 25, 2016**

D520,667 S *	5/2006	Jae-Sung	D26/25
D521,173 S *	5/2006	Noh	D26/78
D526,737 S *	8/2006	Noh	D26/75
D556,358 S *	11/2007	Santoro	D26/76
D584,848 S *	1/2009	Menke	D26/76
D608,928 S *	1/2010	Noh	D26/76
D616,138 S *	5/2010	Lasthein	D26/76
D662,643 S *	6/2012	Takahashi	D26/76
D667,156 S *	9/2012	Pickard	D26/74
D716,489 S *	10/2014	O'Leary	D26/90
D729,423 S *	5/2015	Noh	D26/24
9,052,075 B2 *	6/2015	Demuynck	F21S 9/022
D735,392 S *	7/2015	Ng	D26/76
D747,539 S *	1/2016	Santoro	D26/120

(Continued)

Primary Examiner — George D. Kirschbaum
Assistant Examiner — Natasha Vujcic
 (74) *Attorney, Agent, or Firm* — Smith Keane LLP

Related U.S. Application Data

- (63) Continuation-in-part of application No. 15/074,421,
filed on Mar. 18, 2016, now Pat. No. 9,874,338.

- (51) **LOC (11) Cl.** **26-04**
- (52) **U.S. Cl.**
USPC **D26/76**

- (58) **Field of Classification Search**
USPC D26/76, 78, 79, 80, 81, 82, 83, 85, 86,
D26/88, 90, 113, 118, 119, 120, 121, 122,
D26/138, 139, 140, 141, 142, 152
CPC F21S 2/00; F21S 4/00; F21S 4/003; F21S
4/005; F21S 4/006; F21S 4/007; F21S
4/008; F21S 6/00; F21S 8/00; F21S
8/024; F21S 8/026; F21S 8/031; F21S
8/033; F21S 8/035–8/037; F21S 8/04;
F21S 8/043; F21S 8/063
See application file for complete search history.

(56) **References Cited**

U.S. PATENT DOCUMENTS

- D413,402 S * 8/1999 Ranieri D26/74
- D418,936 S * 1/2000 Dunning D26/3

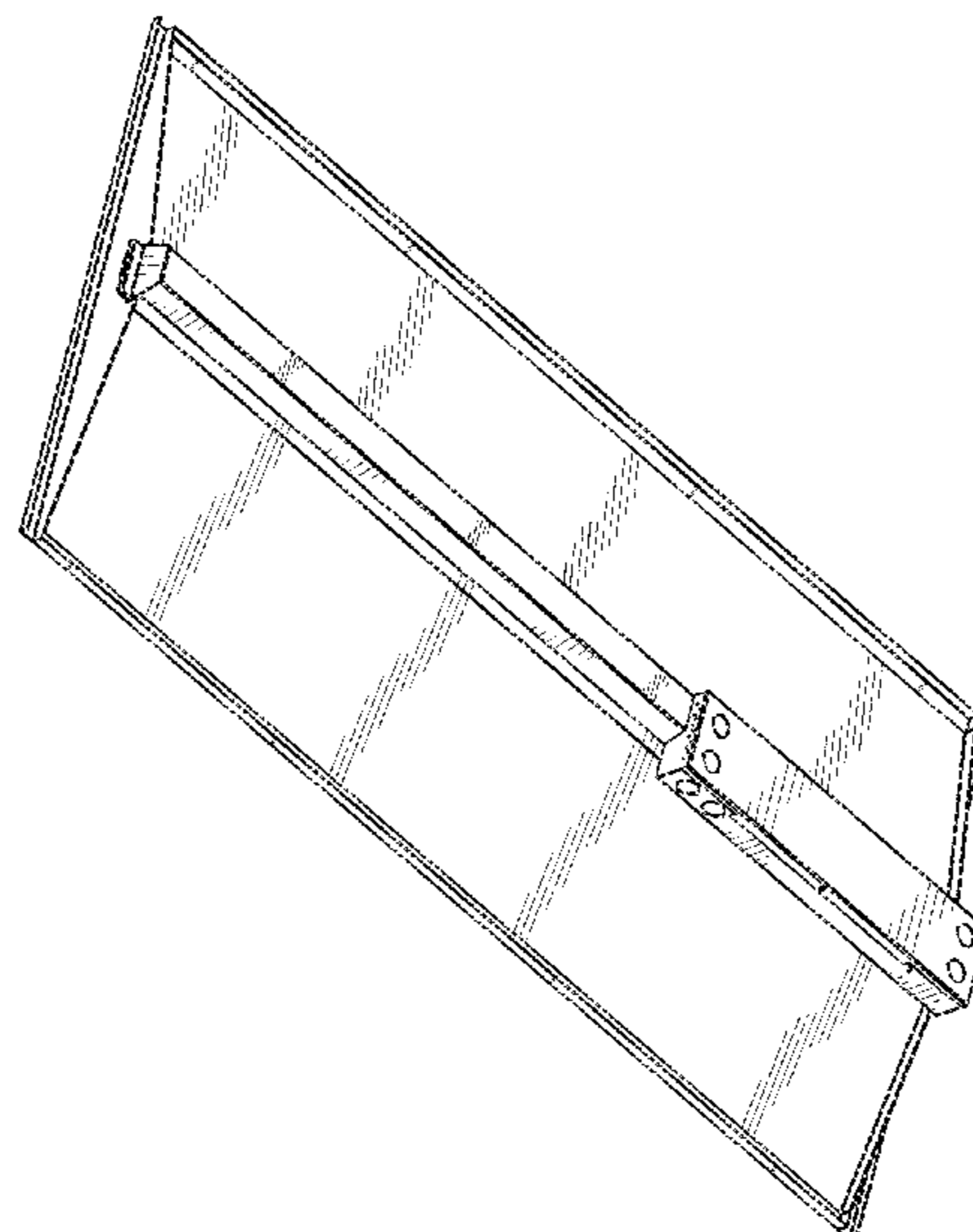
(57) **CLAIM**

The ornamental design for a lighting fixture, as shown and described.

DESCRIPTION

FIG. 1 is a top perspective view of a lighting fixture according to the present invention;
 FIG. 2 is a bottom perspective view of the lighting fixture of FIG. 1;
 FIG. 3 is a right side elevation view of the lighting fixture of FIG. 1;
 FIG. 4 is a left side elevation view of the lighting fixture of FIG. 1;
 FIG. 5 is a rear end elevation view of the lighting fixture of FIG. 1;
 FIG. 6 is a front end elevation view of the lighting fixture of FIG. 1;
 FIG. 7 is a top plan view of the lighting fixture of FIG. 1; and,
 FIG. 8 is a bottom plan view of the lighting fixture of FIG. 1.

1 Claim, 5 Drawing Sheets



(56)

References Cited

U.S. PATENT DOCUMENTS

D805,233 S * 12/2017 Verfueth D26/76
2012/0051041 A1 * 3/2012 Edmond F21S 8/026
362/231

* cited by examiner

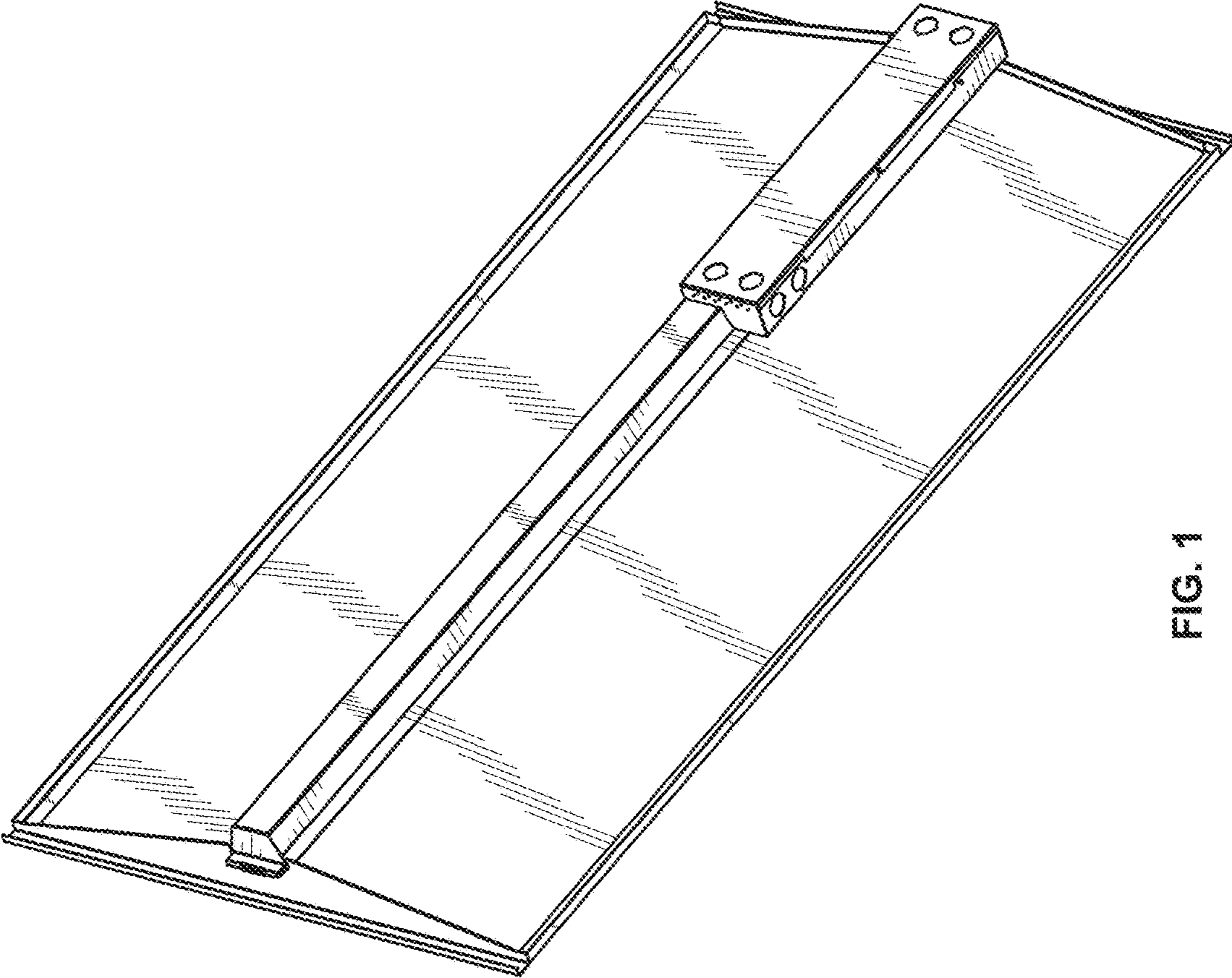


FIG. 1

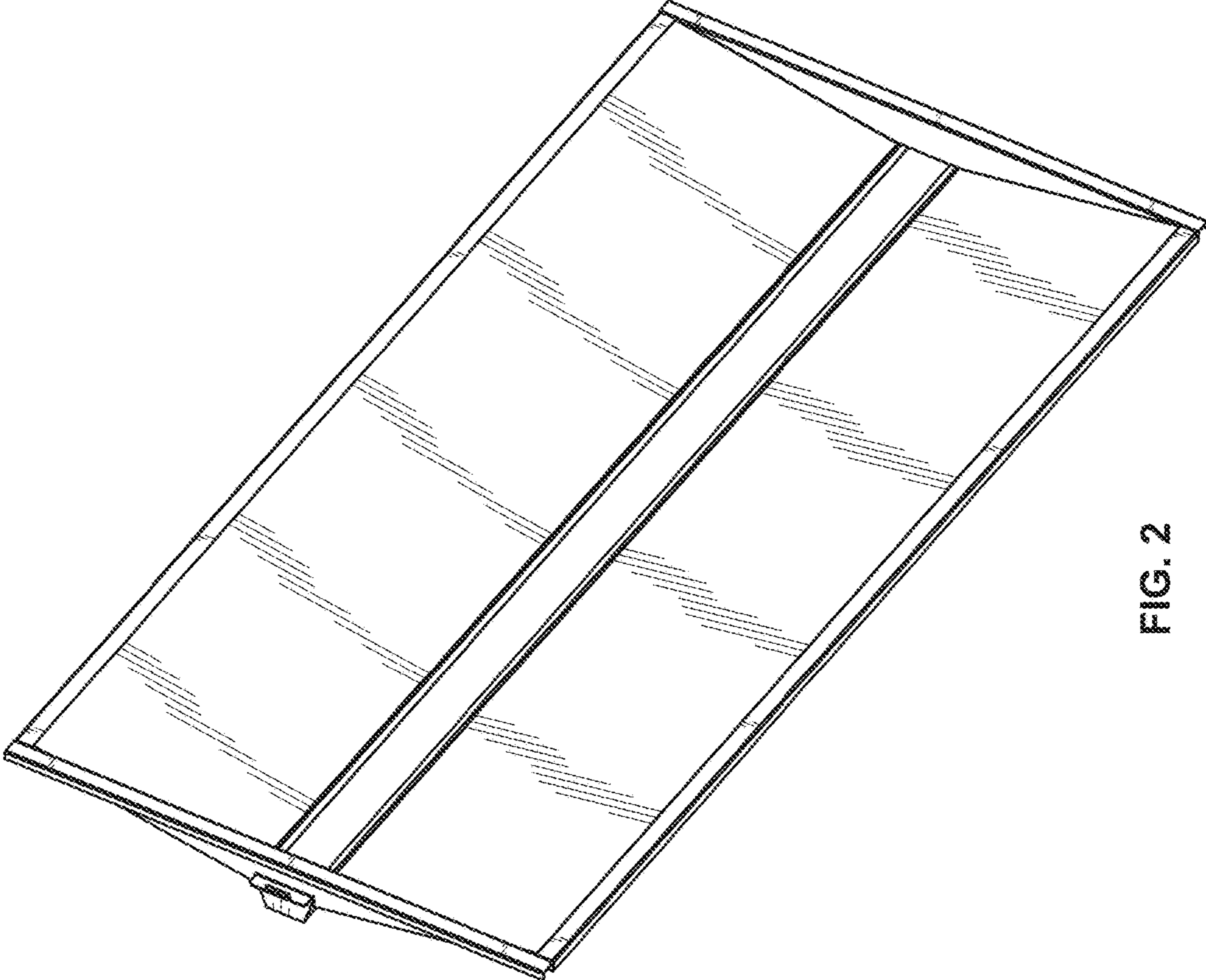


FIG. 2

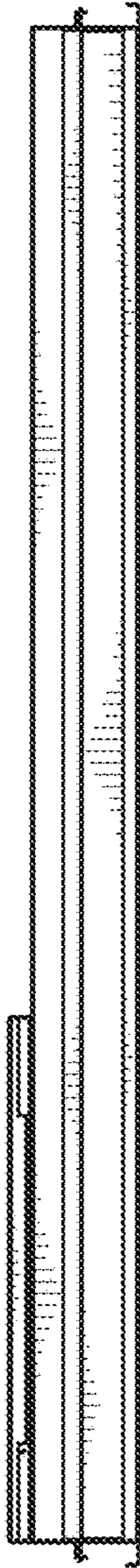


FIG. 3

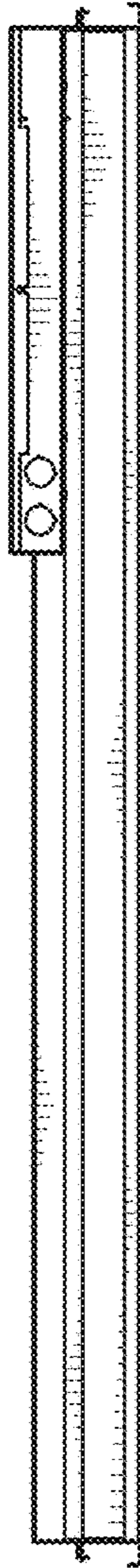


FIG. 4

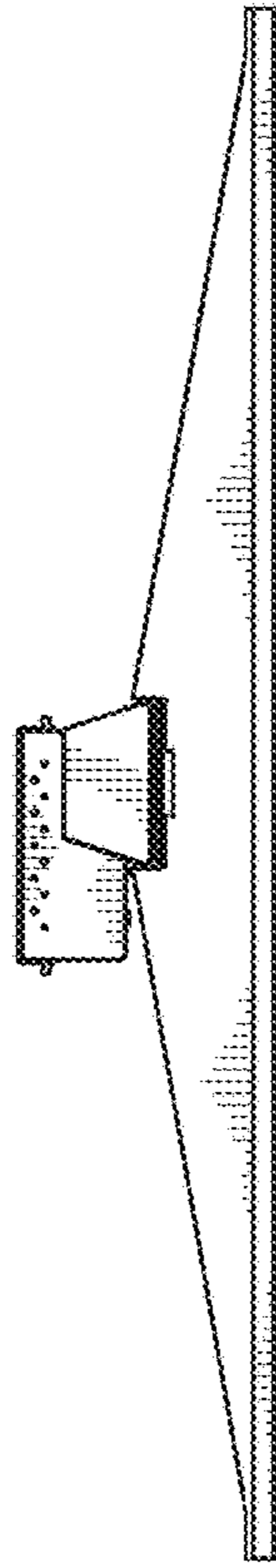


FIG. 5

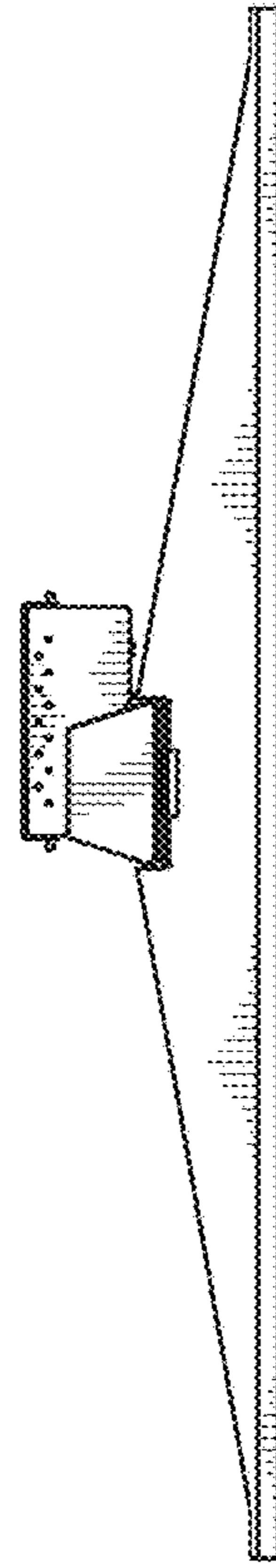


FIG. 6

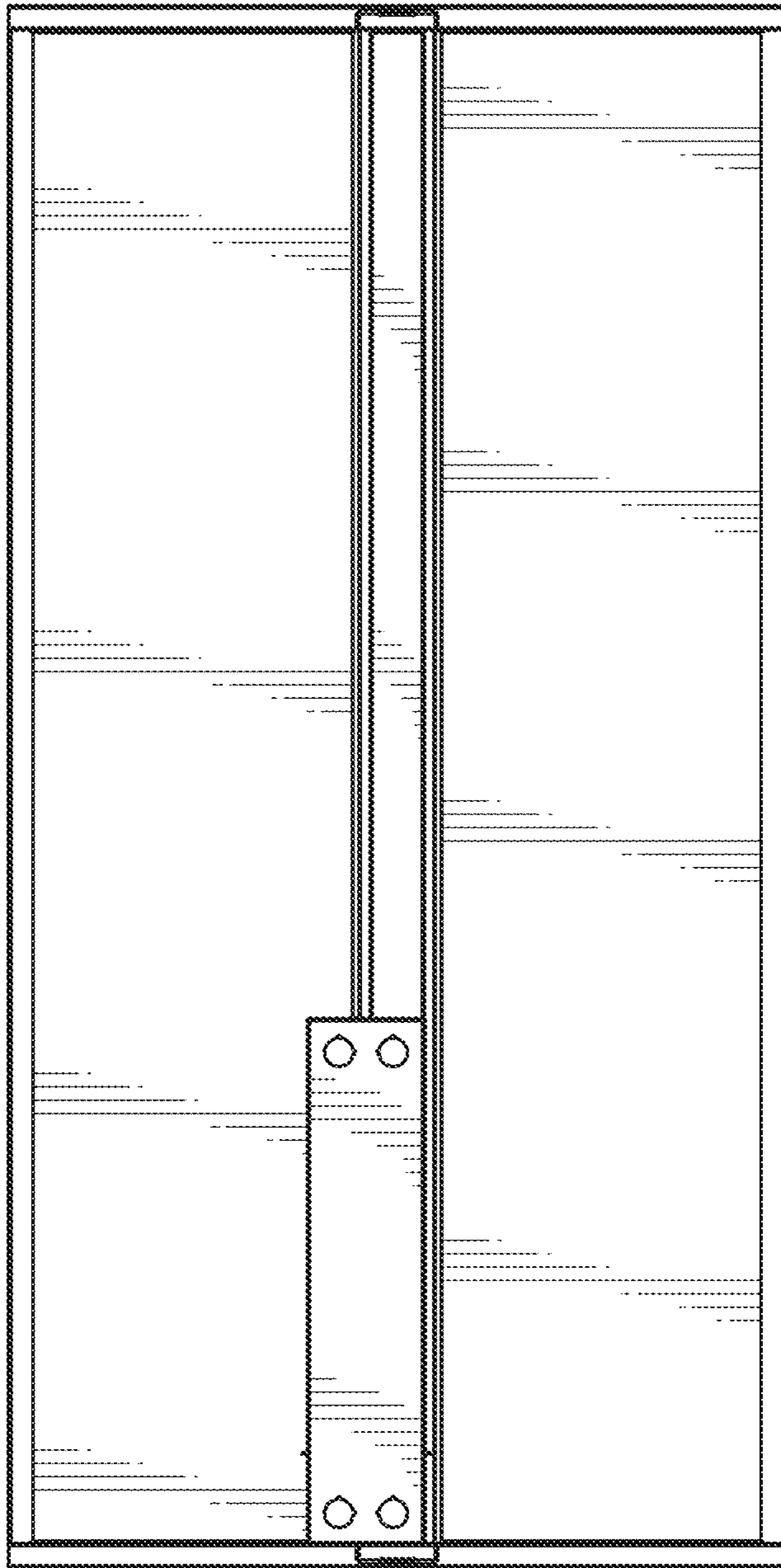


FIG. 7

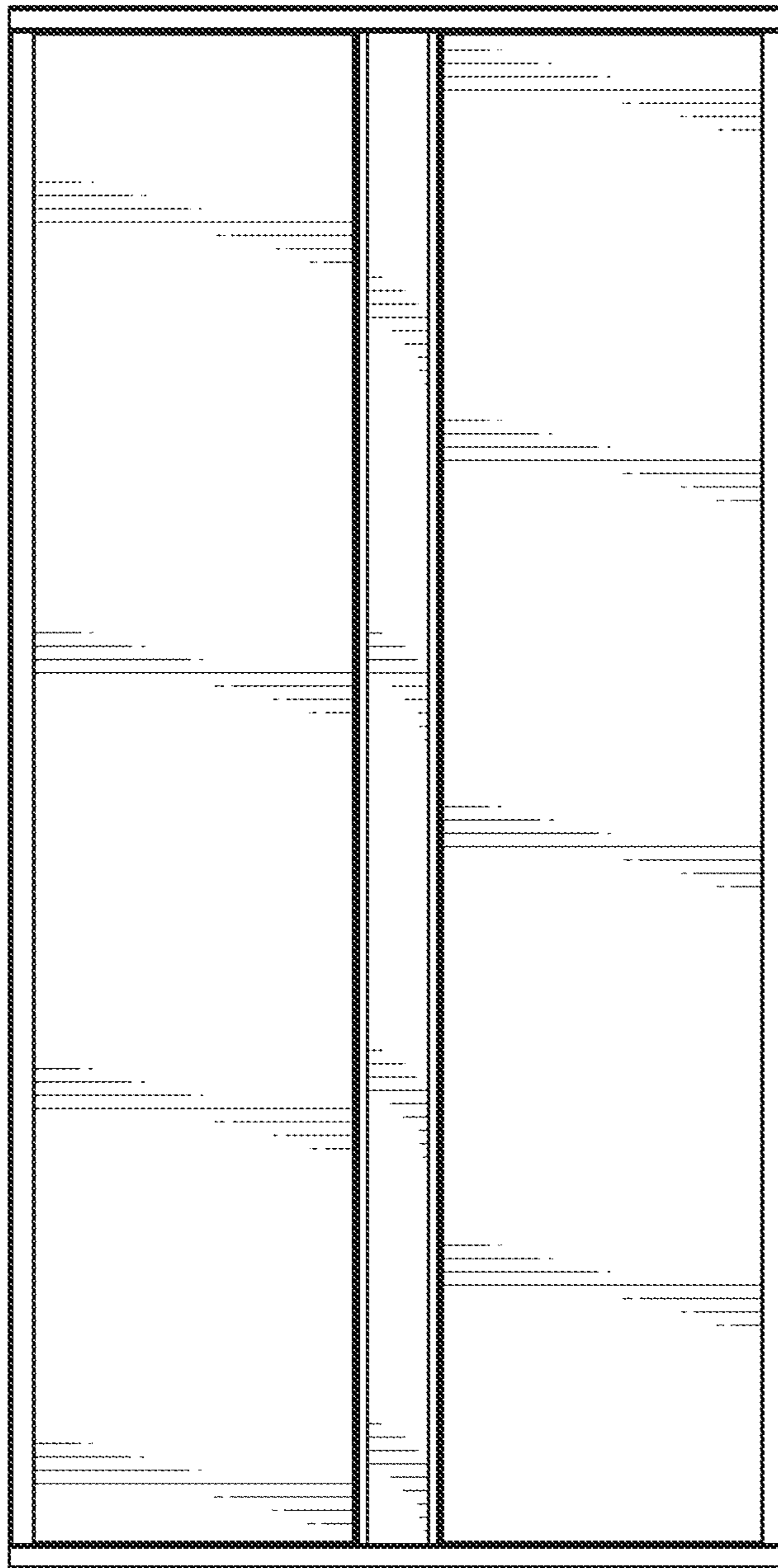


FIG. 8