



US00D833050S

(12) **United States Design Patent** (10) **Patent No.:** **US D833,050 S**  
**Prieto** (45) **Date of Patent:** **\*\* Nov. 6, 2018**

(54) **FLASHLIGHT**

(71) Applicant: **Alliance Sports Group, L.P.**, Grand Prairie, TX (US)  
(72) Inventor: **Jimmy Prieto**, Grand Prairie, TX (US)  
(73) Assignee: **Alliance Sports Group, L.P.**, Grand Prairie, TX (US)

(\*\*) Term: **15 Years**

(21) Appl. No.: **29/580,447**

(22) Filed: **Oct. 10, 2016**

(51) **LOC (11) Cl.** ..... **26-02**

(52) **U.S. Cl.**  
USPC ..... **D26/49**

(58) **Field of Classification Search**

USPC ..... D26/37, 38, 46, 49, 51, 44  
CPC ..... F21L 2003/00; F21L 4/00; F21L 4/005;  
F21L 4/02; F21L 4/025; F21L 4/027;  
F21L 4/04; F21L 4/08; F21L 2005/00;  
F21L 7/00; F21L 11/00; F21L 13/00;  
F21L 13/04; F21L 13/08; F21L 14/02;  
F21L 17/00; F21L 19/00; F21L 25/00

See application file for complete search history.

(56) **References Cited**

**U.S. PATENT DOCUMENTS**

2,188,129 A 1/1940 Ayotte  
4,447,863 A 5/1984 Feline  
(Continued)

**OTHER PUBLICATIONS**

ROFIS, TR20 Rechargeable Angle head Flashlight 1100 Lumen with Strobe SOS, [https://www.amazon.com/Rofis-Rechargeable-Flashlight-Holster-Waterproof/dp/B01LJKNKEM/ref=sr\\_1\\_2?ie=](https://www.amazon.com/Rofis-Rechargeable-Flashlight-Holster-Waterproof/dp/B01LJKNKEM/ref=sr_1_2?ie=)

UTF8&qid=1477595269&sr32 8-2&keywords=rofis+tr20+angle+light, Accessed on: Oct. 27, 2016.

*Primary Examiner* — Lakiya G Rogers

*Assistant Examiner* — Carissa C Fitts

(74) *Attorney, Agent, or Firm* — Thorpe North & Western LLP

(57) **CLAIM**

The ornamental design for a flashlight, as shown and described.

**DESCRIPTION**

FIG. 1 is a perspective left, front view of the flashlight in accordance with my invention;

FIG. 2 is a front view thereof;

FIG. 3 is a back side view thereof;

FIG. 4 is a left side view thereof;

FIG. 5 is a right view thereof;

FIG. 6 is a top view thereof;

FIG. 7 is a bottom view thereof;

FIG. 8 is a perspective left, front view of the flashlight, shown with the head of the flashlight rotated into a second orientation;

FIG. 9 is a front side view of the flashlight, shown with the head of the flashlight rotated into the second orientation;

FIG. 10 is a back side view of the flashlight, shown with the head of the flashlight rotated into the second orientation;

FIG. 11 is a left side view of the flashlight, shown with the head of the flashlight rotated into the second orientation;

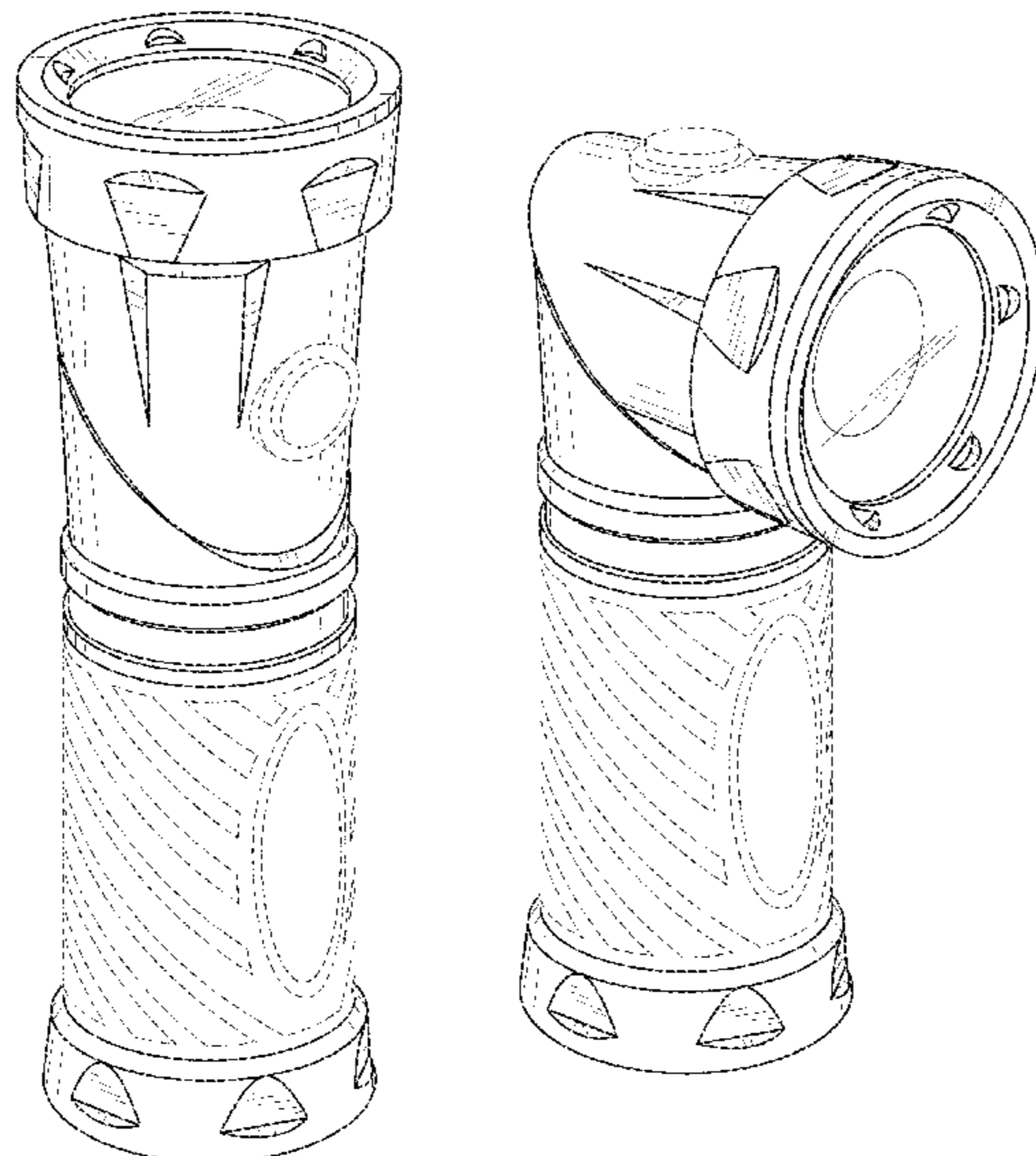
FIG. 12 is a right side view of the flashlight, shown with the head of the flashlight rotated into the second orientation;

FIG. 13 is a top view of the flashlight, shown with the head of the flashlight rotated into the second orientation; and,

FIG. 14 is a bottom view of the flashlight, shown with the head of the flashlight rotated into the second orientation.

The broken line portion of the figure drawings is included to show portions of the article that form no part of the claimed design.

**1 Claim, 8 Drawing Sheets**



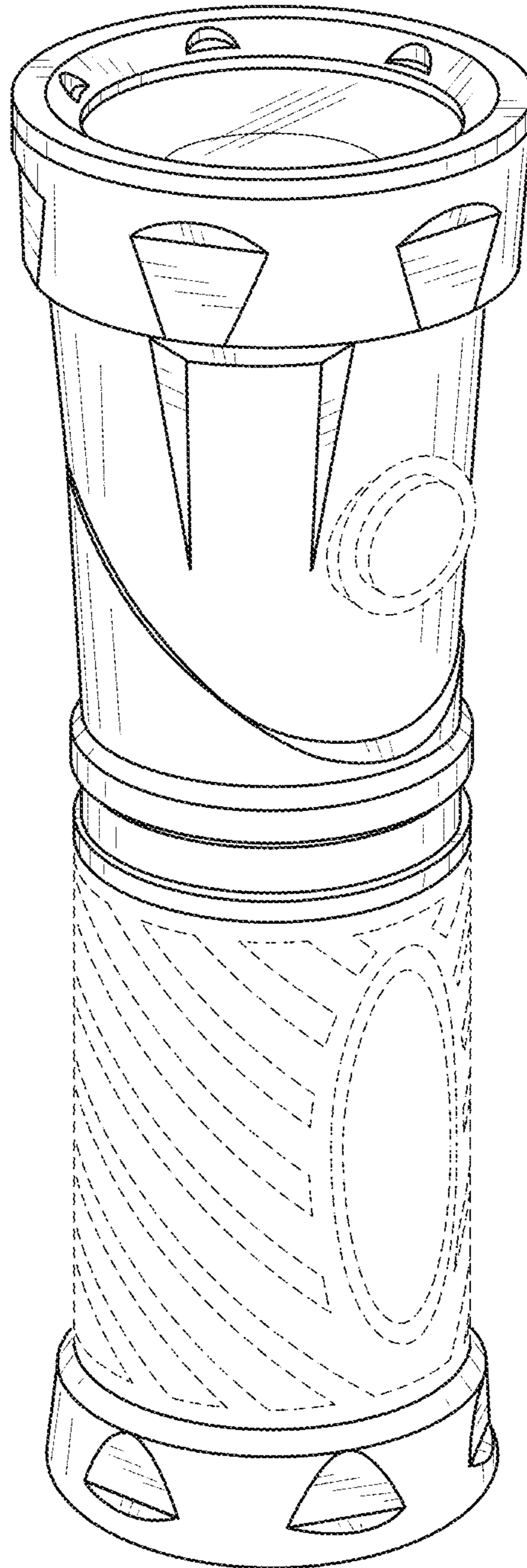
(56)

**References Cited**

## U.S. PATENT DOCUMENTS

6,457,841	B1	10/2002	Lynch et al.	
D483,136	S *	12/2003	Poon .....	D26/37
6,913,370	B2	7/2005	Ping	
7,188,969	B2	3/2007	Uke et al.	
D549,376	S *	8/2007	Shiu .....	D26/49
D553,272	S *	10/2007	Leung .....	D26/37
D566,314	S *	4/2008	Jen .....	D26/49
D620,627	S *	7/2010	Kovacik .....	D26/42
D623,323	S	9/2010	Kung	
D659,870	S *	5/2012	Cooper .....	D26/49
D703,358	S *	4/2014	Shiu .....	D26/49
D709,231	S *	7/2014	Nguyen .....	D26/49
D713,982	S *	9/2014	Tompkin .....	D26/49
D719,286	S *	12/2014	Inskeep .....	D26/49
D725,302	S *	3/2015	Popper .....	D26/49
D726,358	S *	4/2015	Young .....	D26/40
D734,519	S *	7/2015	Shen .....	D26/49
D738,021	S *	9/2015	Wang .....	D26/41
9,279,548	B1	3/2016	Fleming	
D754,899	S *	4/2016	Cooper .....	D26/44
D774,229	S *	12/2016	Prieto .....	D26/49
D785,841	S *	5/2017	Brown .....	D26/49

\* cited by examiner



**FIG. 1**

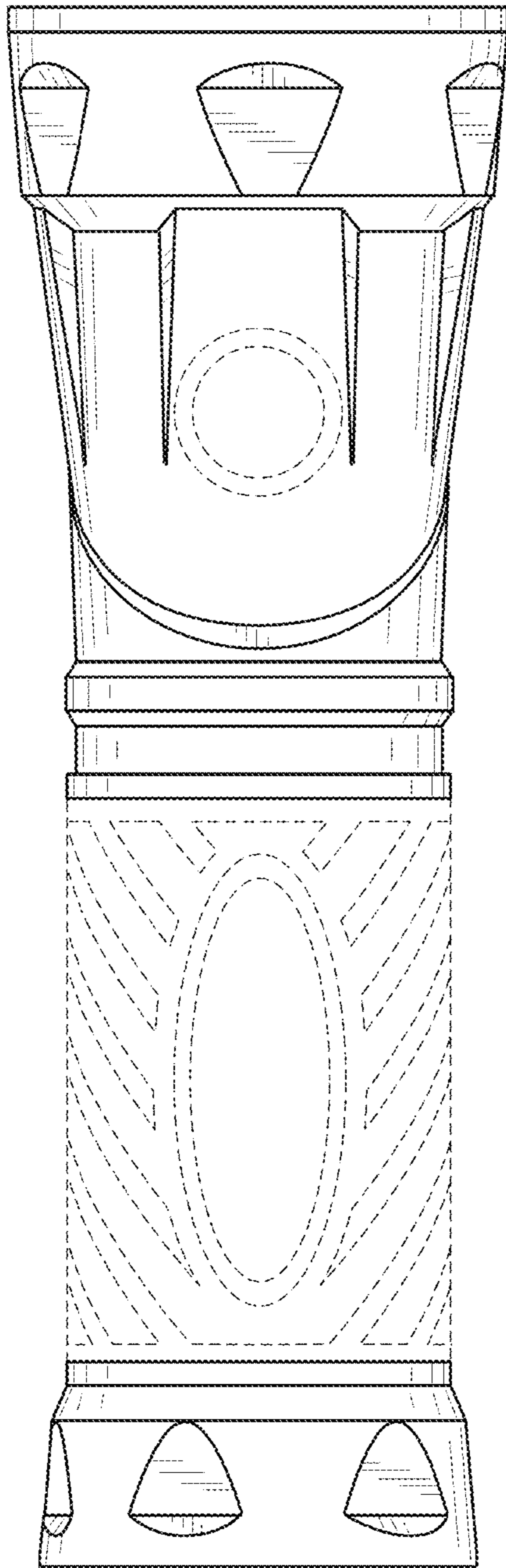


FIG. 2

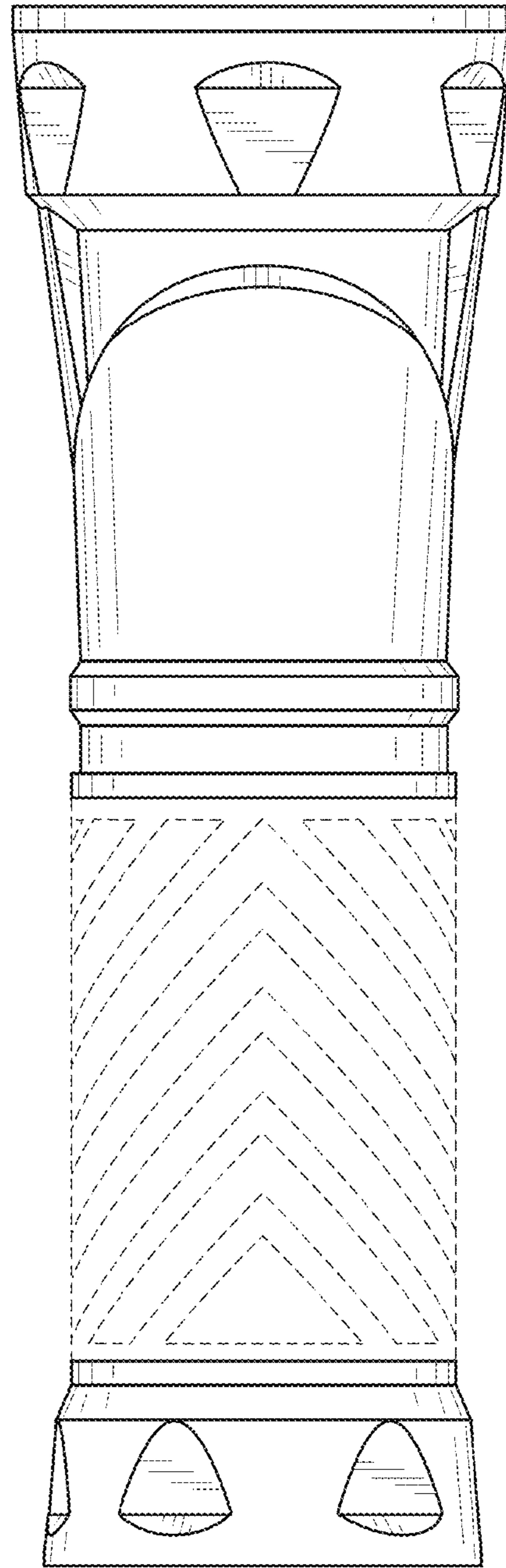
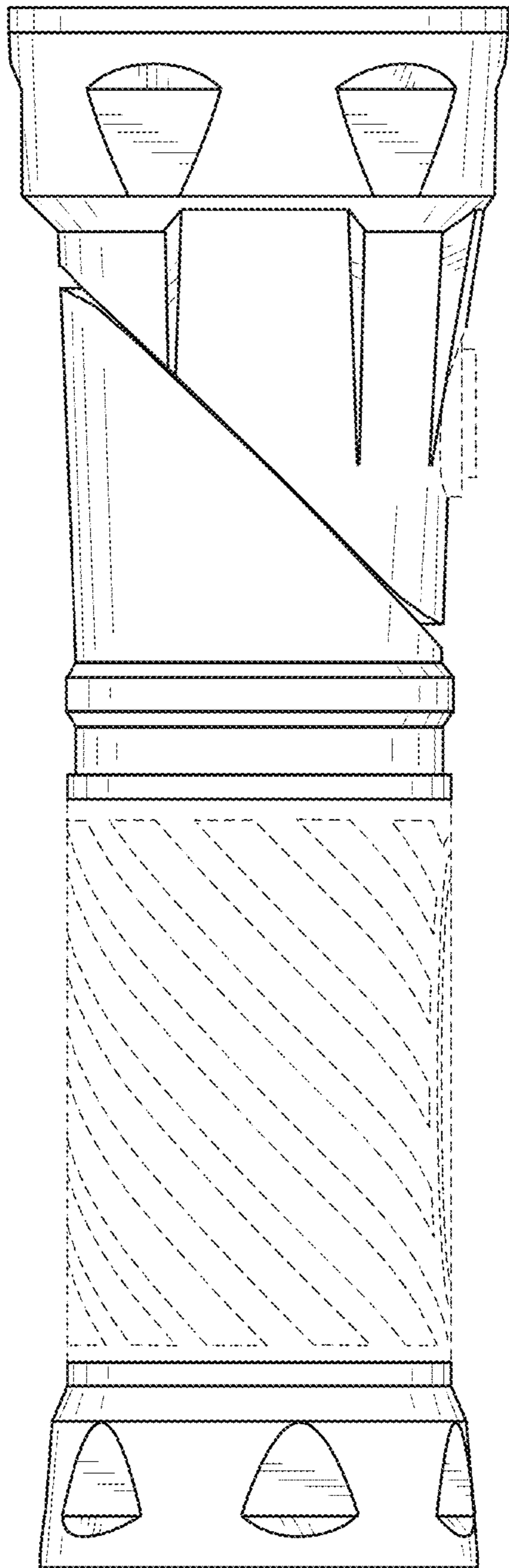
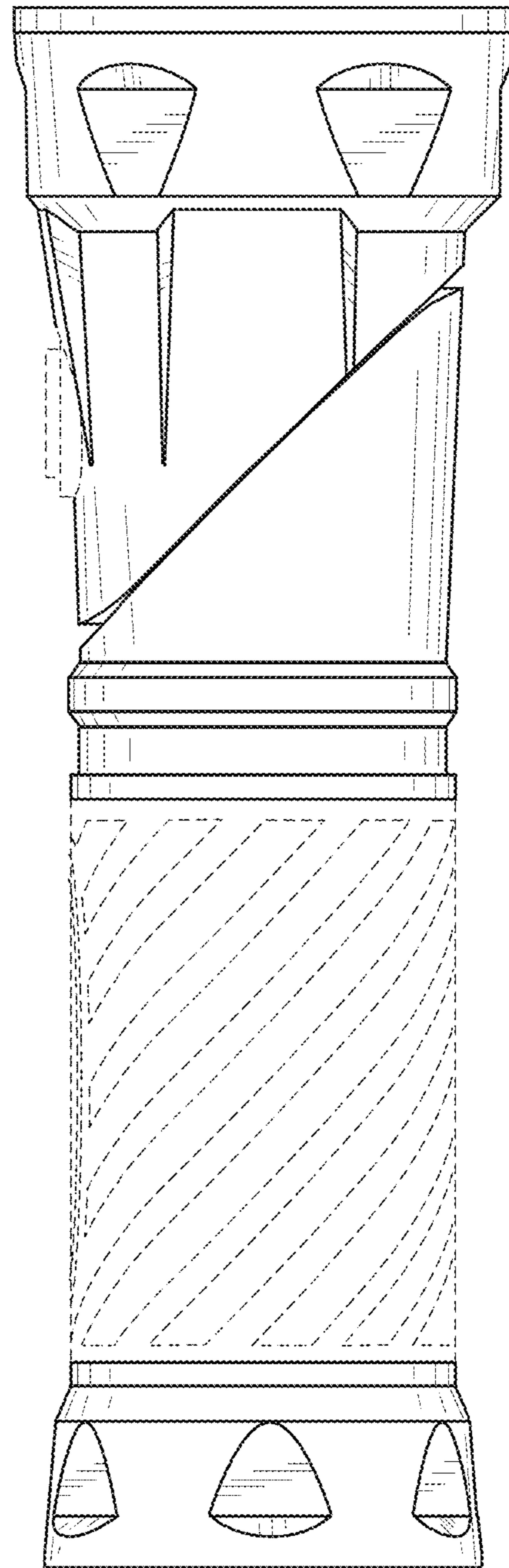


FIG. 3

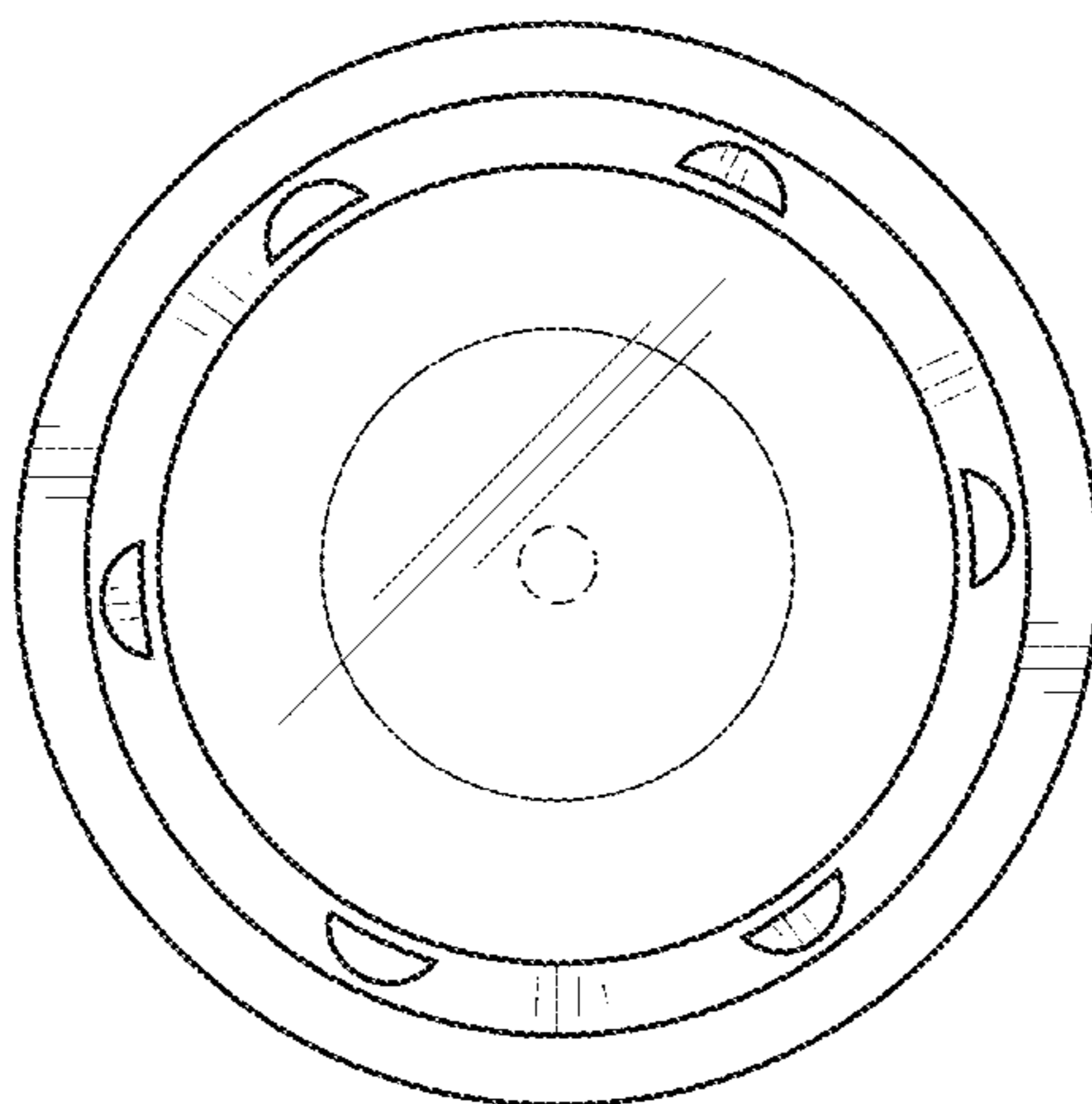




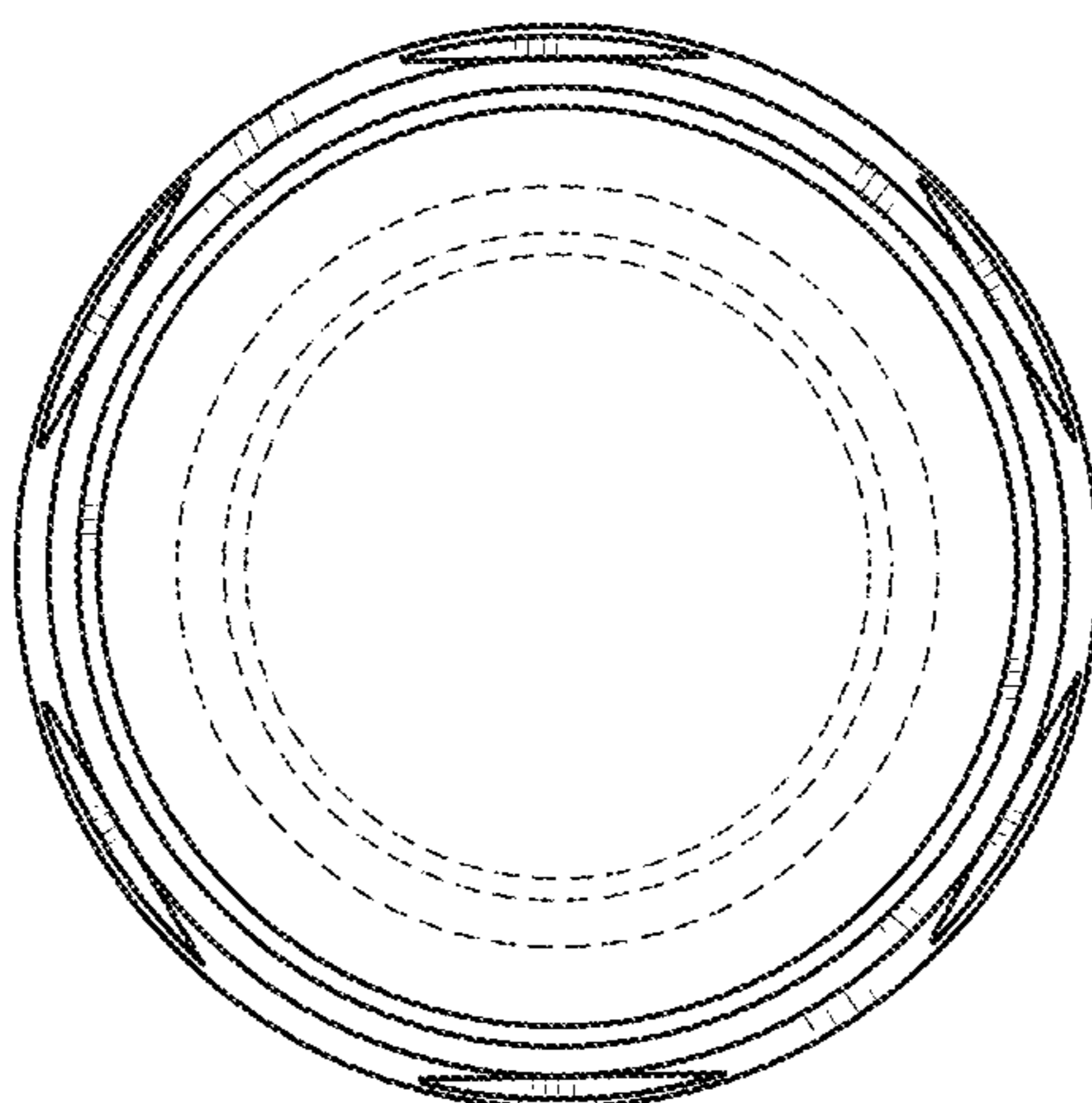
**FIG. 4**



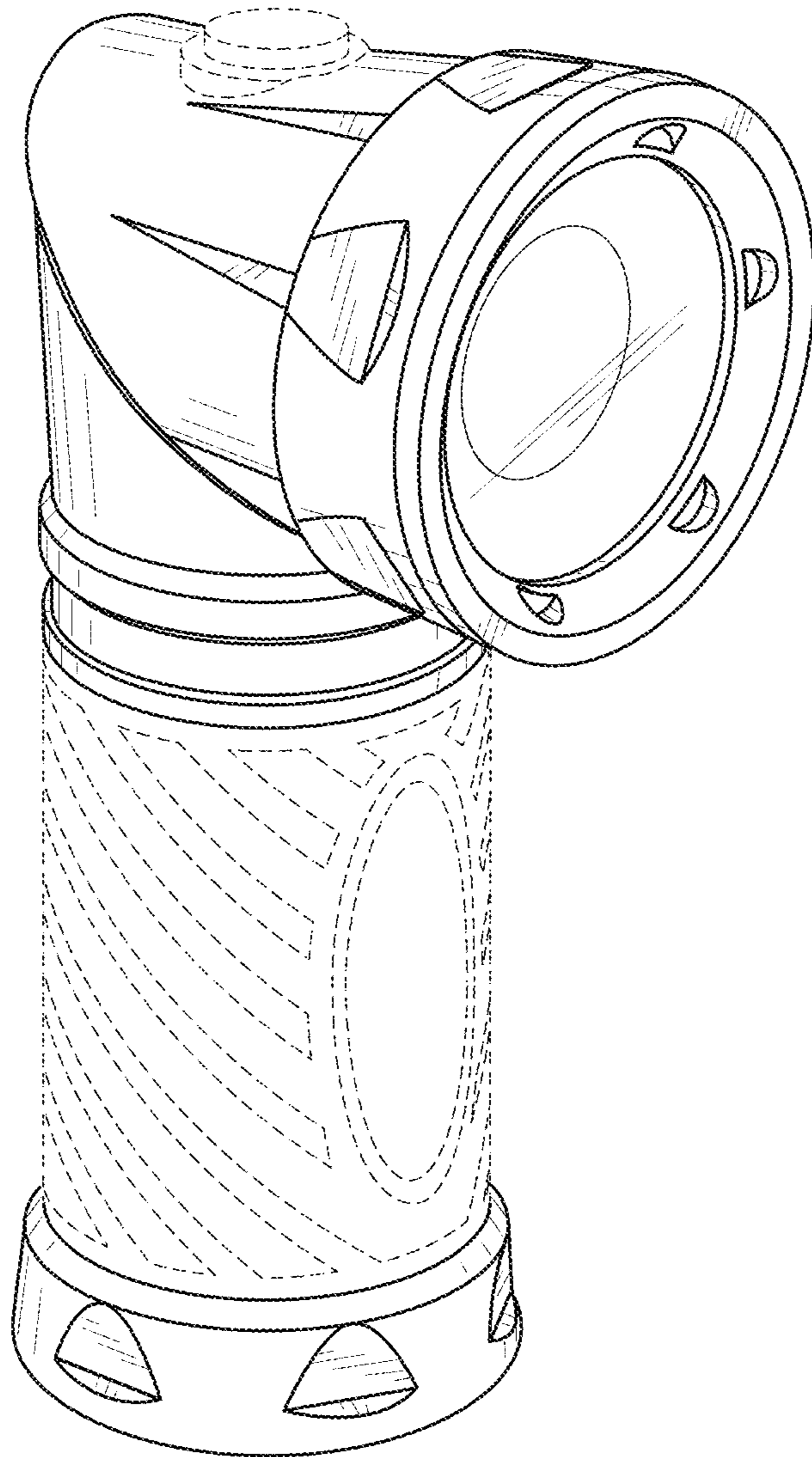
**FIG. 5**



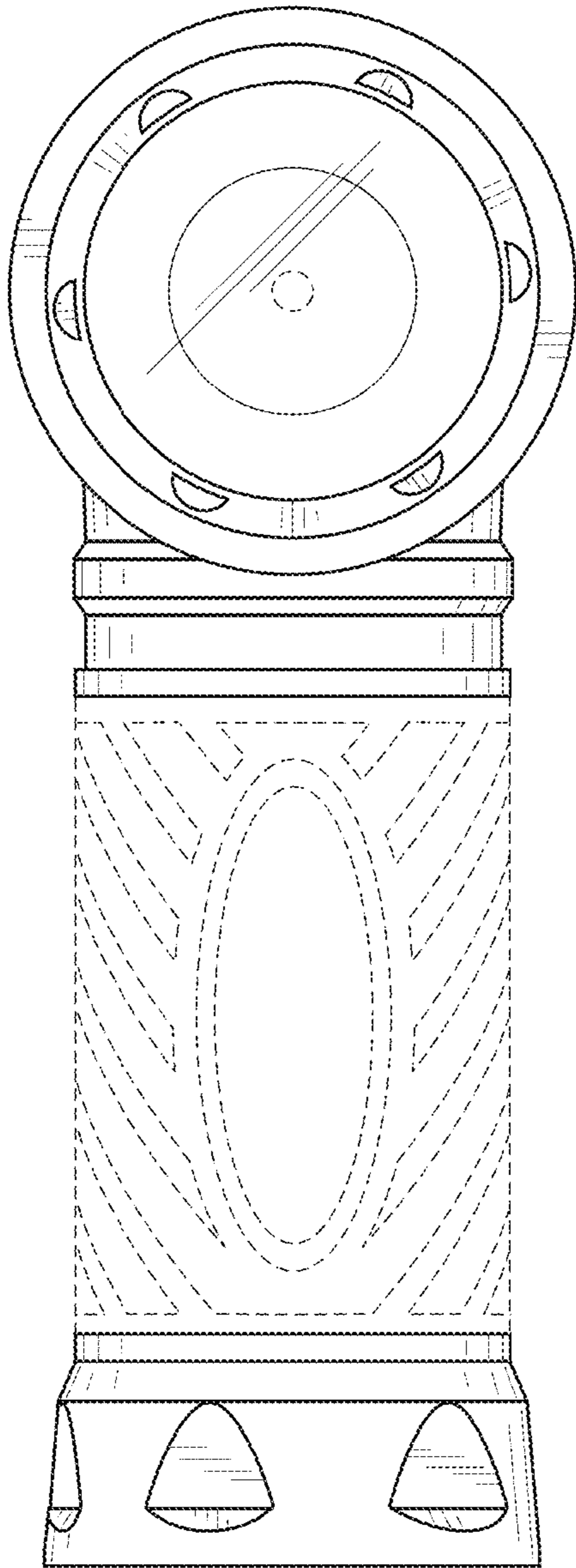
**FIG. 6**



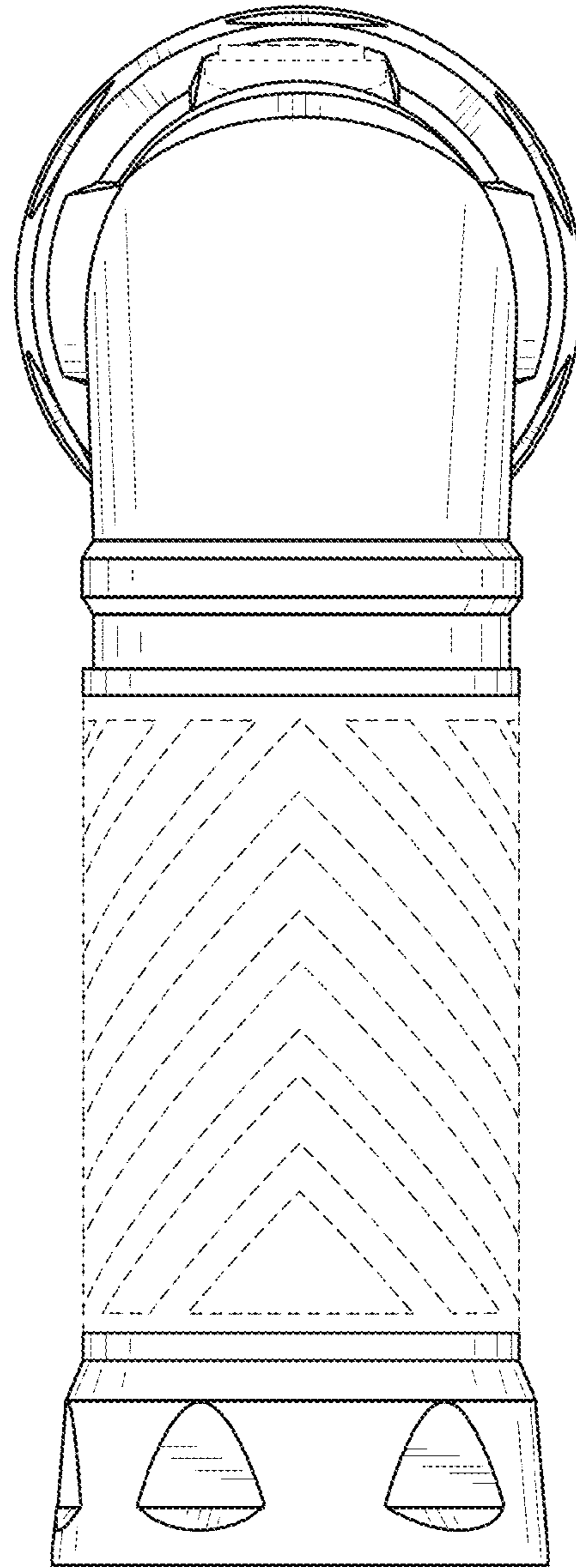
**FIG. 7**



**FIG. 8**

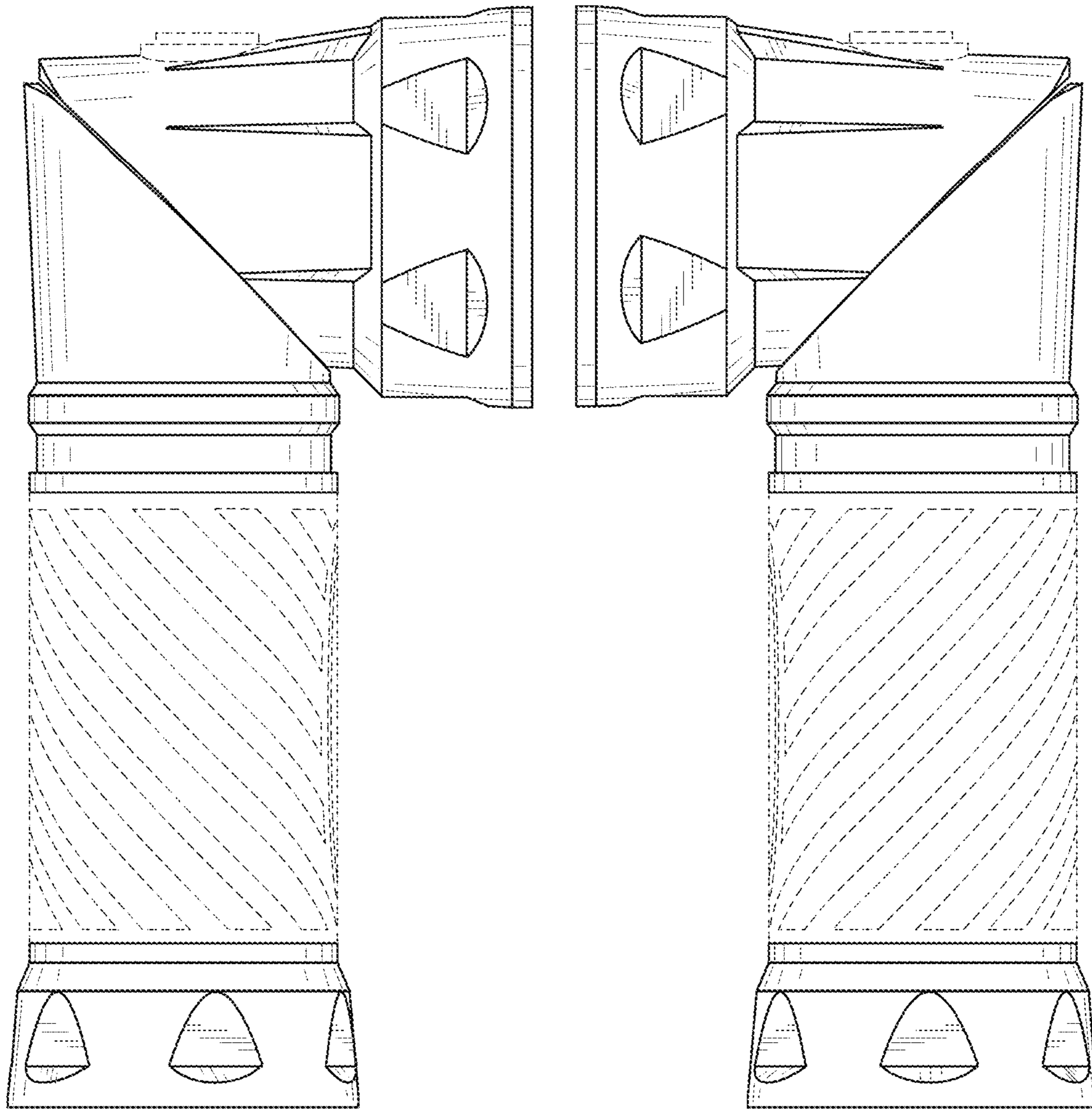


**FIG. 9**



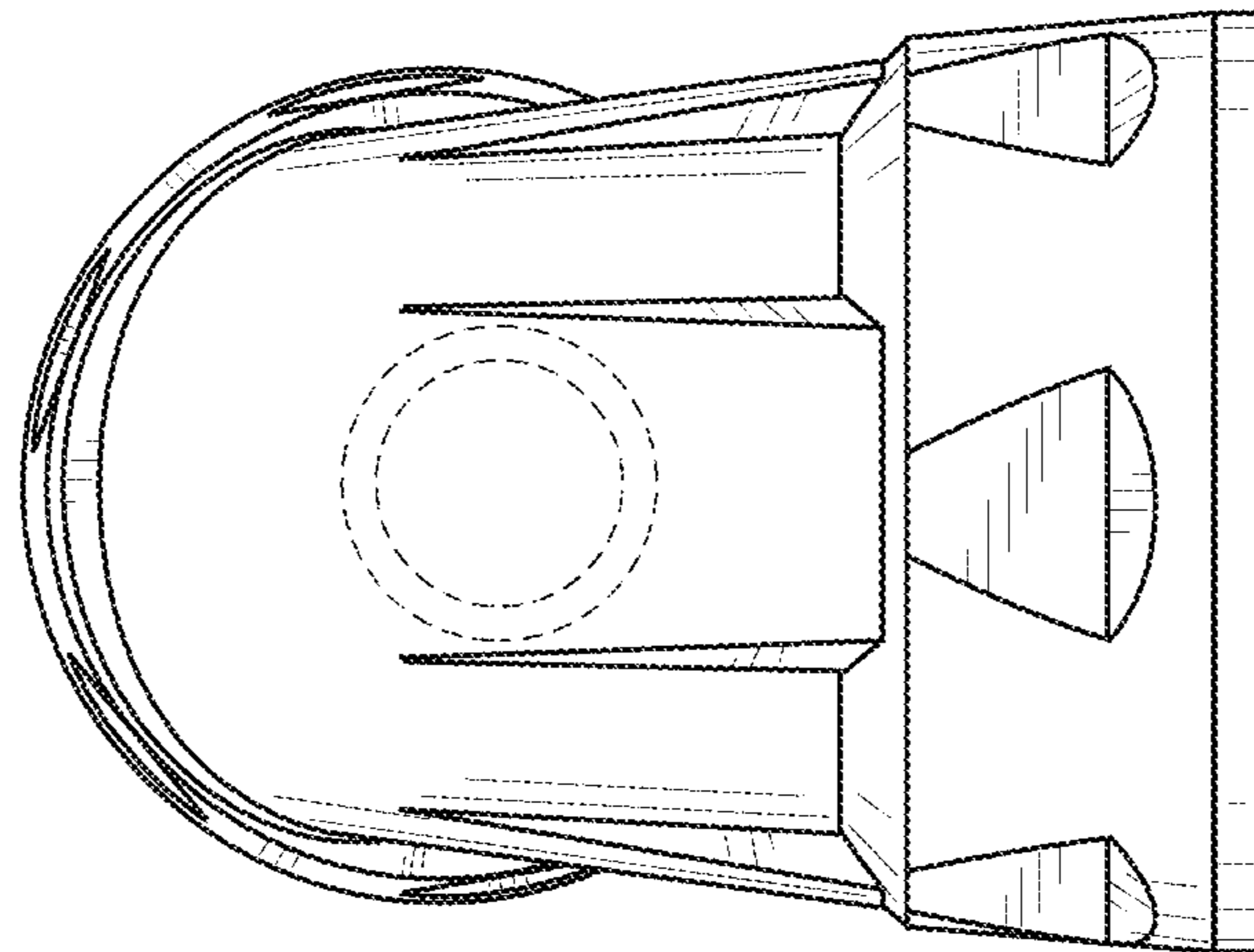
**FIG. 10**



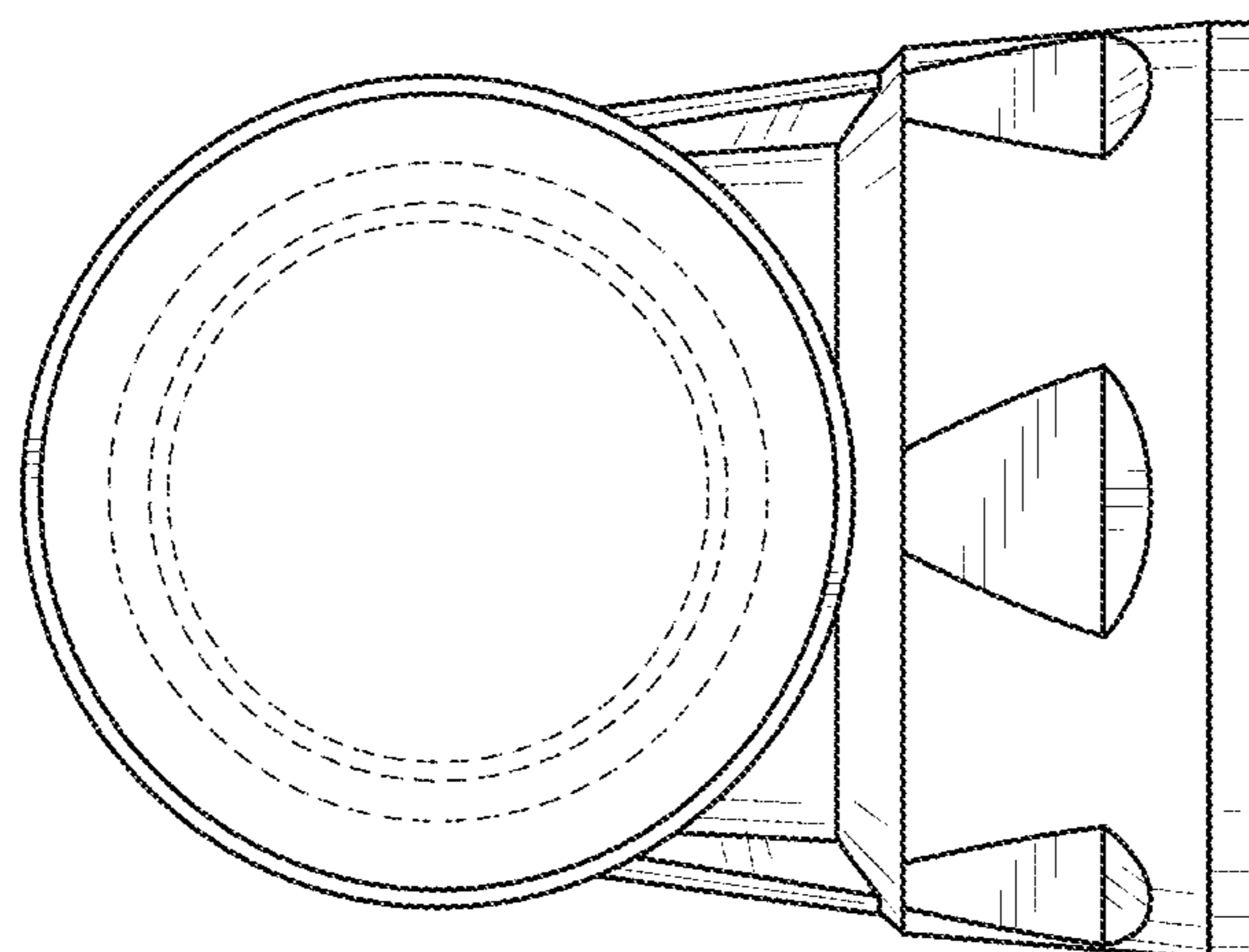


**FIG. 11**

**FIG. 12**



**FIG. 13**



**FIG. 14**