



US00D833049S

(12) **United States Design Patent**
Yu et al.

(10) **Patent No.:** **US D833,049 S**

(45) **Date of Patent:** **** Nov. 6, 2018**

(54) **SPOTLIGHT**

(71) Applicant: **Milwaukee Electric Tool Corporation,**
Brookfield, WI (US)

(72) Inventors: **Siu Kwong Yu, Tsuen Wan (HK); Tin Pak Lee, Tsuen Wan (HK)**

(73) Assignee: **MILWAUKEE ELECTRIC TOOL CORPORATION,** Brookfield, WI (US)

(**) Term: **15 Years**

(21) Appl. No.: **29/529,339**

(22) Filed: **Jun. 5, 2015**

(51) **LOC (11) Cl.** **26-02**

(52) **U.S. Cl.**
USPC **D26/45**

(58) **Field of Classification Search**
USPC D26/37, 38, 39, 40, 41, 42, 45, 51
CPC F21L 2005/00; F21L 7/00; F21L 11/00;
F21L 13/00; F21L 13/04; F21L 13/08;
F21L 14/02; F21L 17/00; F21L 19/00;
F21L 25/00

See application file for complete search history.

(56) **References Cited**

U.S. PATENT DOCUMENTS

D603,540 S	*	11/2009	Shum	D26/45
D628,326 S	*	11/2010	Ng	D26/45
D646,816 S	*	10/2011	Wang	D26/45
D662,240 S	*	6/2012	Inskeep	D26/45
D662,241 S	*	6/2012	Tschopp	D26/45
D673,705 S	*	1/2013	Inskeep	D26/45

D673,706 S	*	1/2013	Inskeep	D26/45
D673,707 S	*	1/2013	Inskeep	D26/45
D711,029 S	*	8/2014	Schnell	D26/45
D711,574 S	*	8/2014	Shen	D26/45
D748,310 S	*	1/2016	Inskeep	D26/45
D754,380 S	*	4/2016	Inskeep	D26/45
D754,381 S	*	4/2016	Inskeep	D26/45
D759,870 S	*	6/2016	Hine	D26/45
D782,091 S	*	3/2017	Inskeep	D26/45

* cited by examiner

Primary Examiner — Lakiya G Rogers

Assistant Examiner — Carissa C Fitts

(74) *Attorney, Agent, or Firm* — Michael Best & Friedrich LLP

(57) **CLAIM**

We claim the ornamental design for a spotlight, as shown and described.

DESCRIPTION

FIG. 1 is a perspective view of a spotlight according to our invention.

FIG. 2 is a front view of the spotlight shown in FIG. 1.

FIG. 3 is a rear view of the spotlight shown in FIG. 1.

FIG. 4 is a first side view of the spotlight shown in FIG. 1.

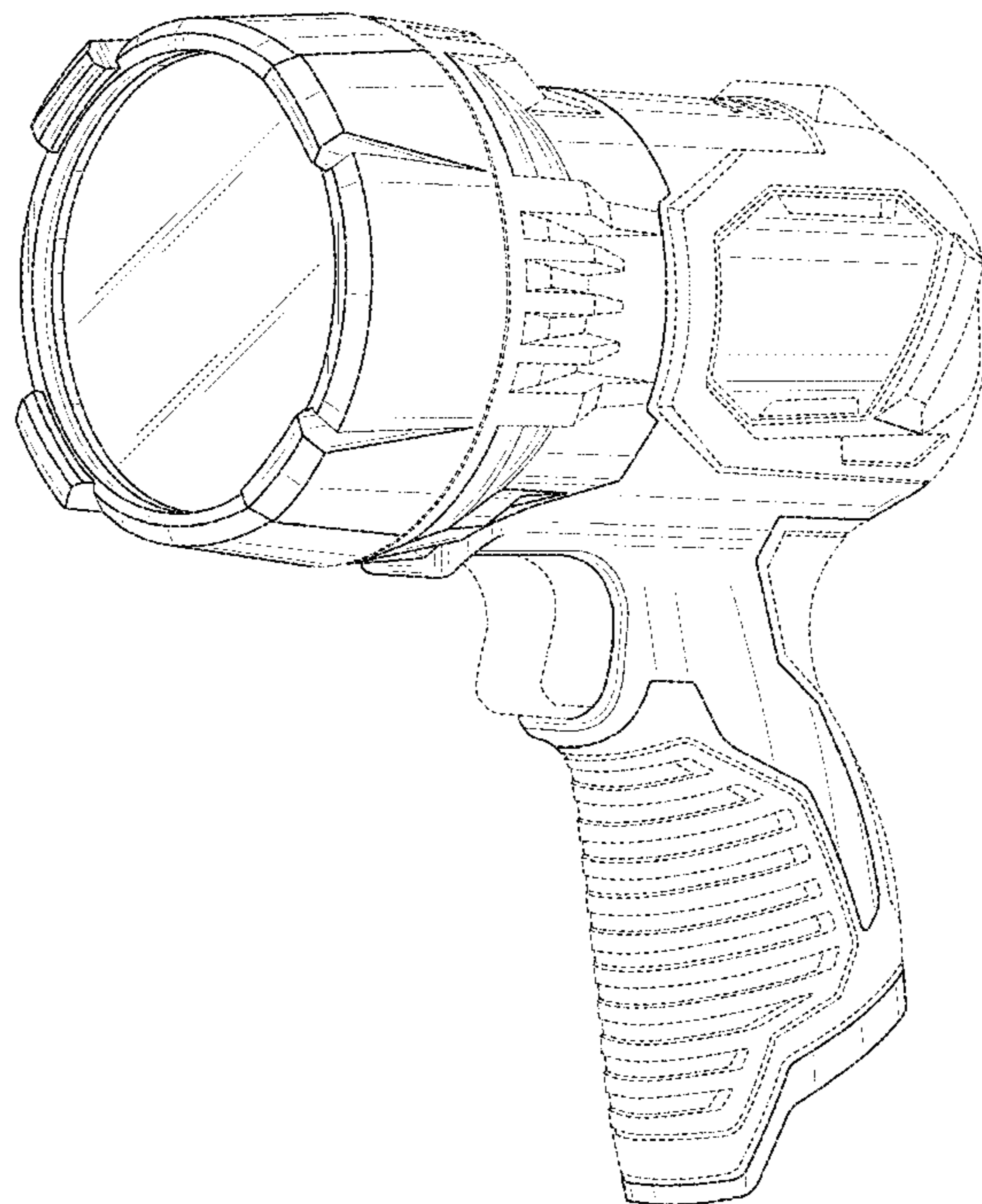
FIG. 5 is a second side view of the spotlight shown in FIG. 1.

FIG. 6 is a top view of the spotlight shown in FIG. 1; and,

FIG. 7 is a bottom view of the spotlight shown in FIG. 1.

The broken lines show unclaimed portions of the article and form no part of the claimed design.

1 Claim, 6 Drawing Sheets



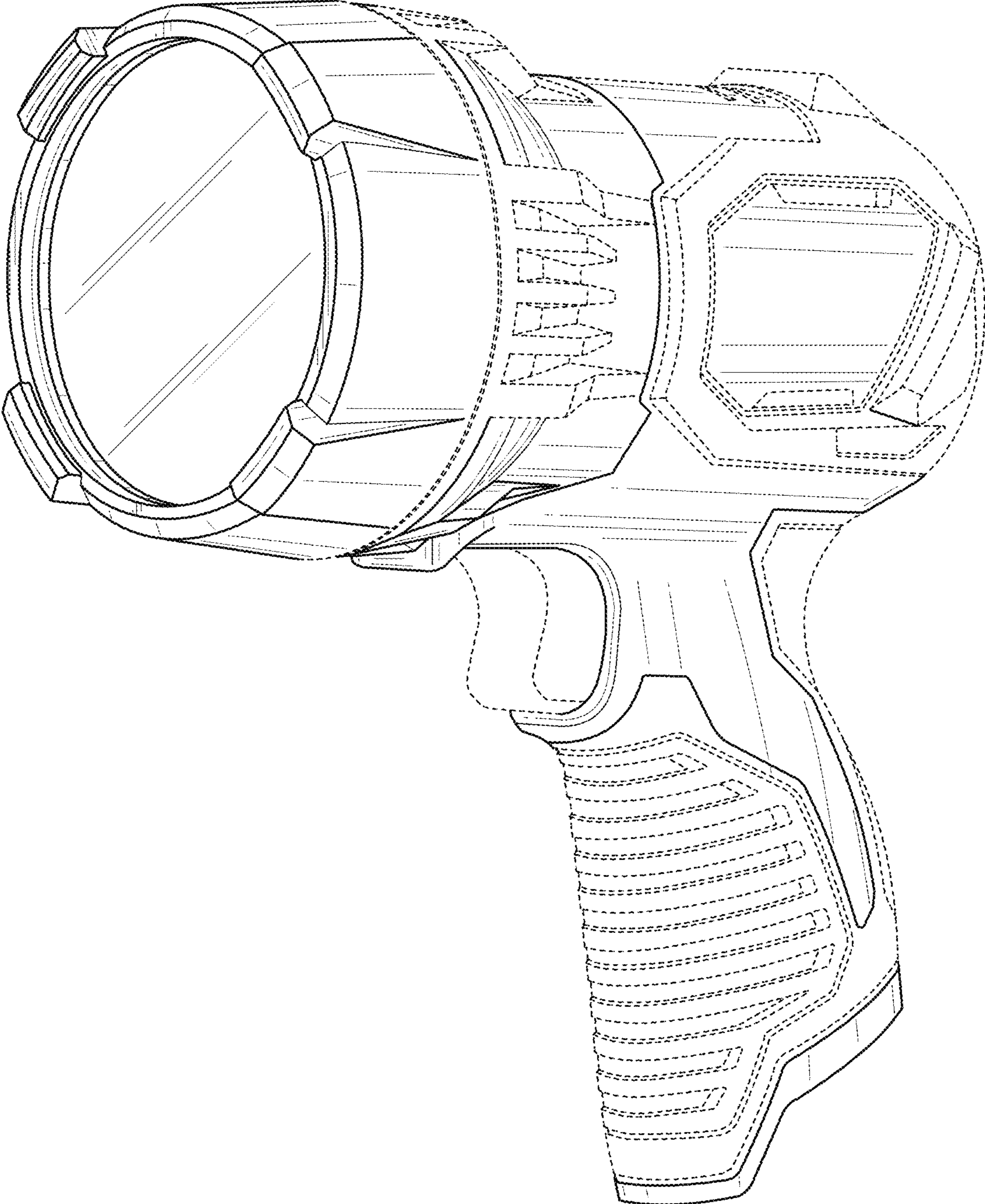


FIG. 1

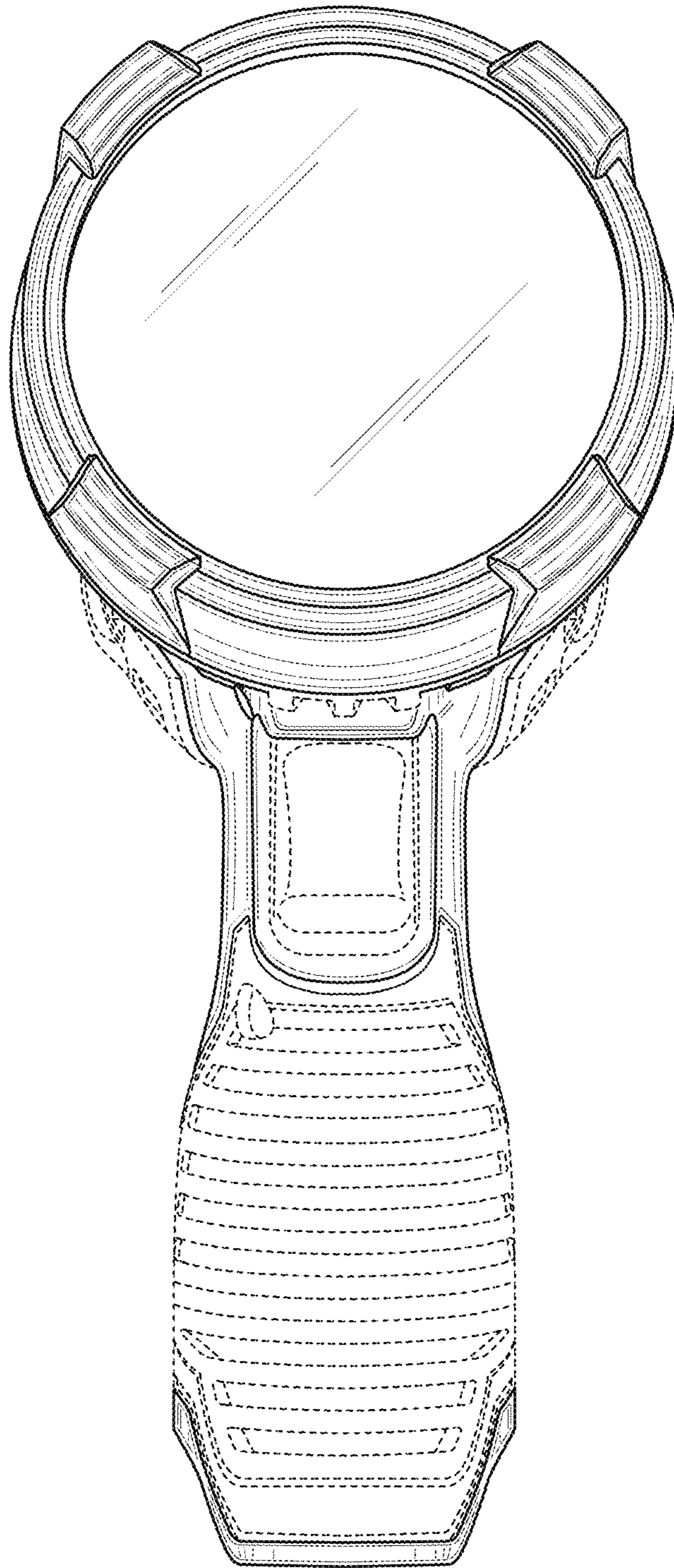


FIG. 2

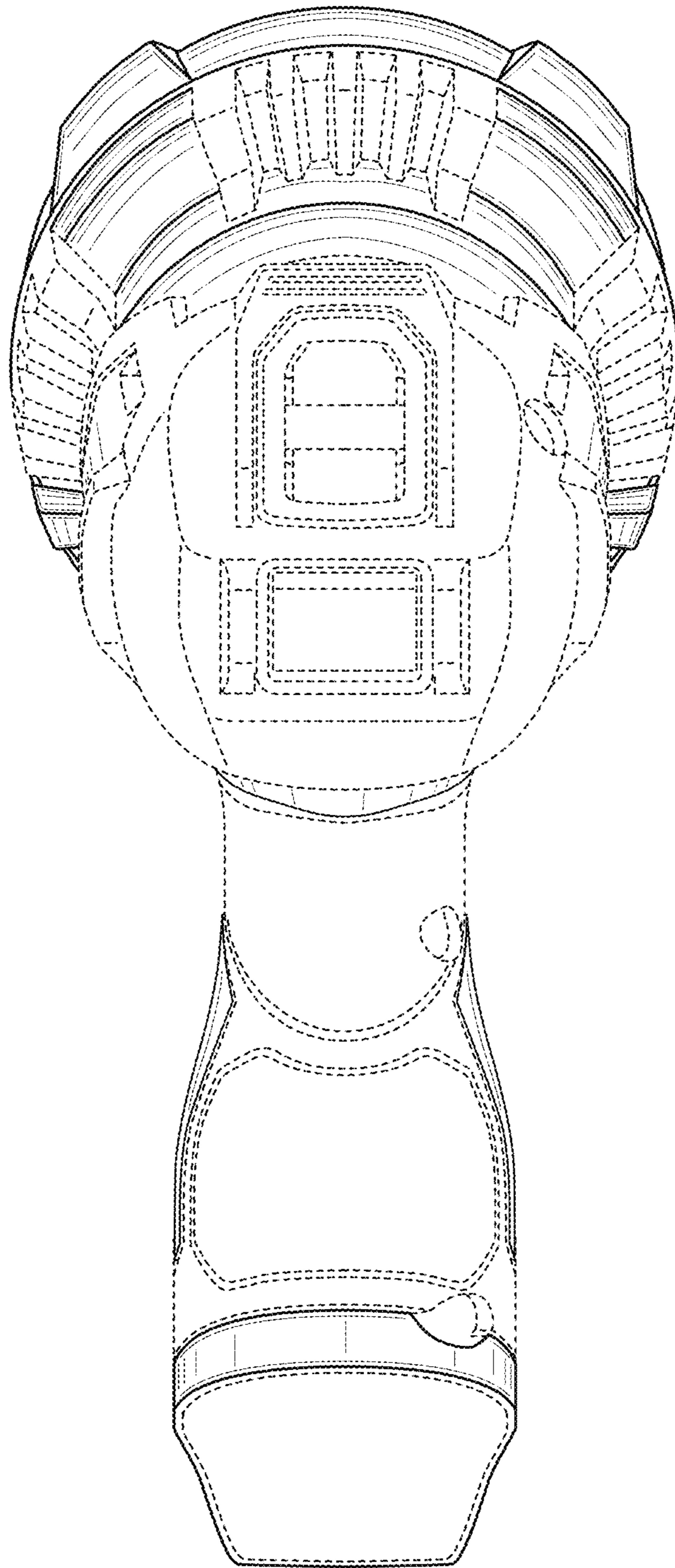


FIG. 3

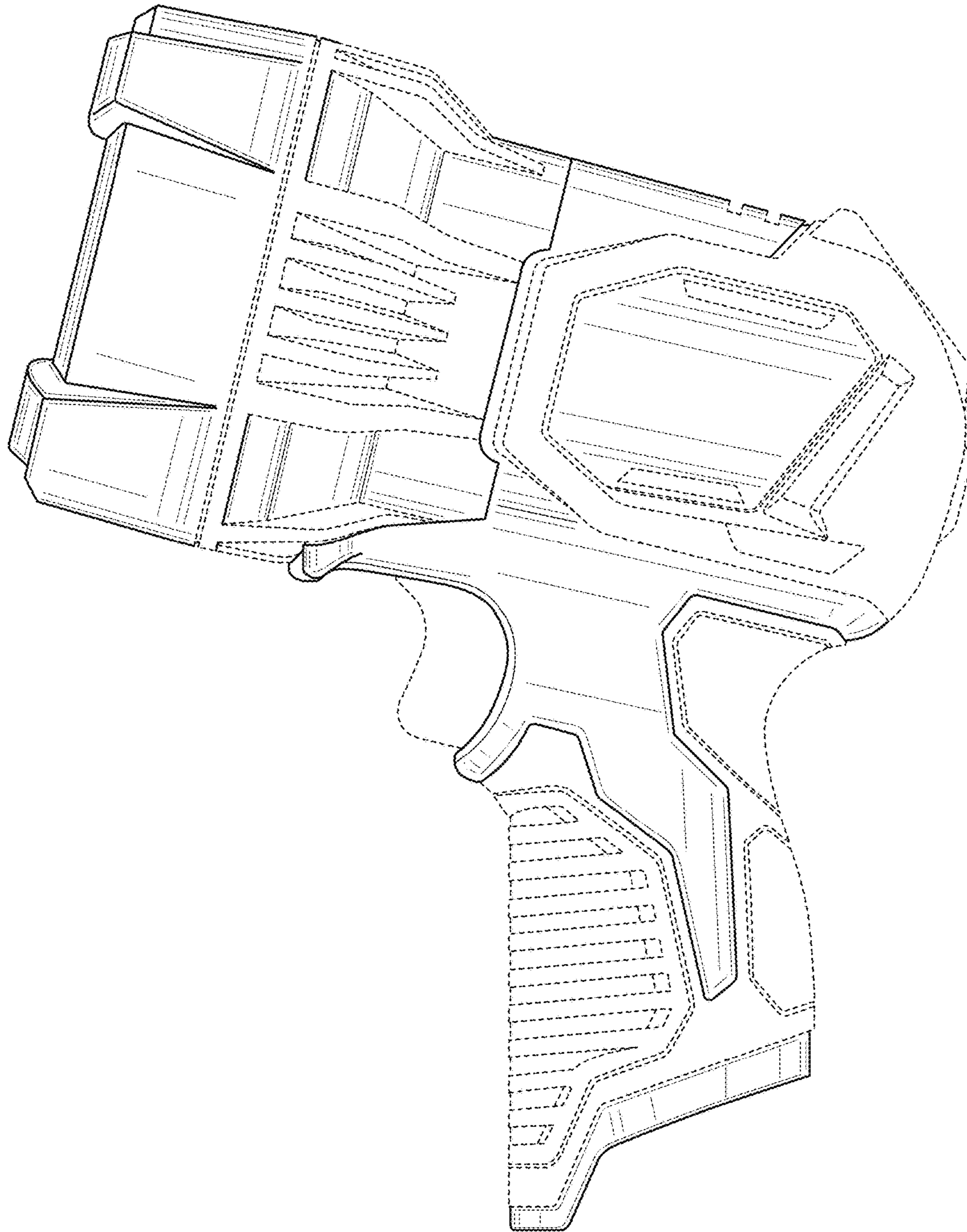


FIG. 4

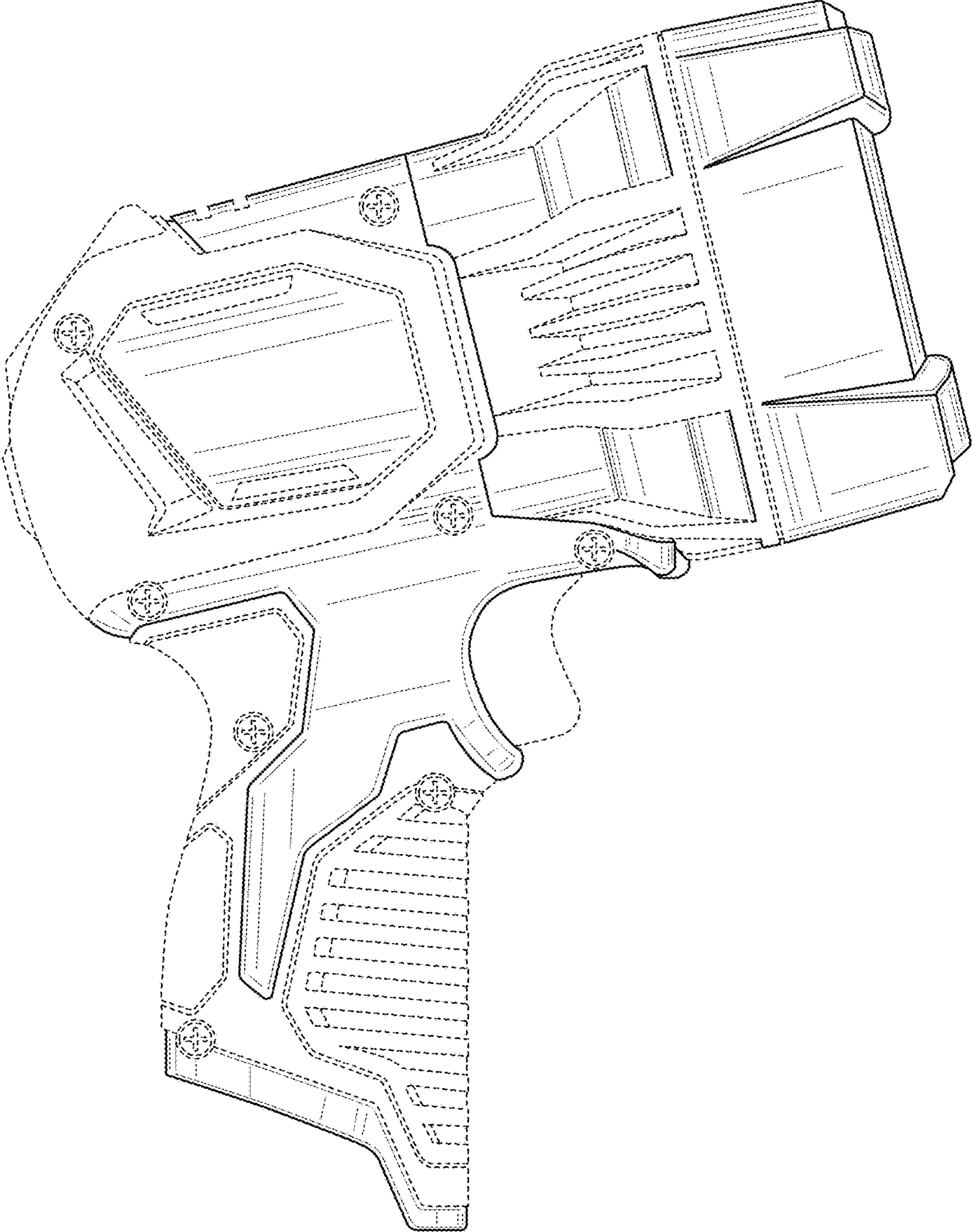


FIG. 5

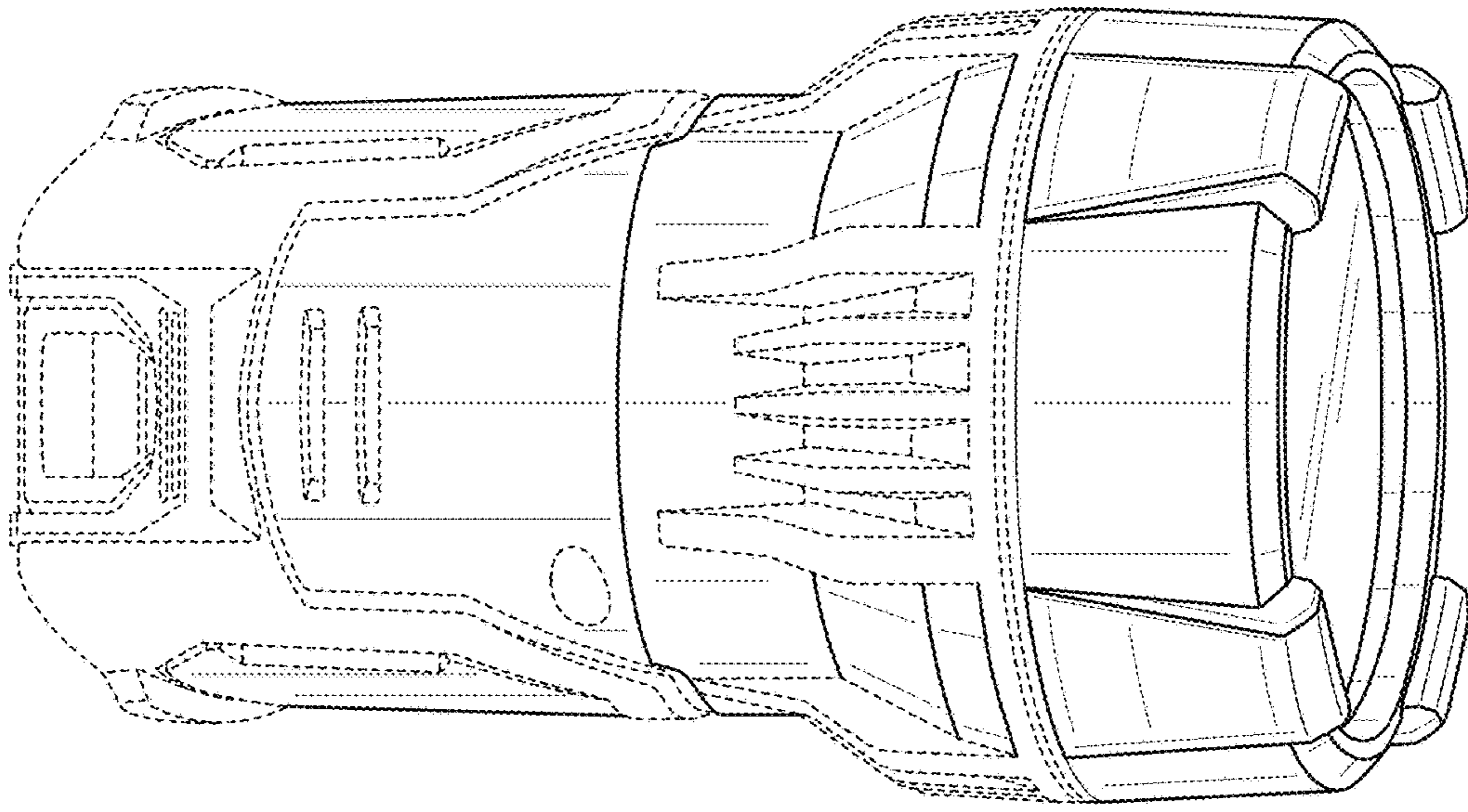


FIG. 6

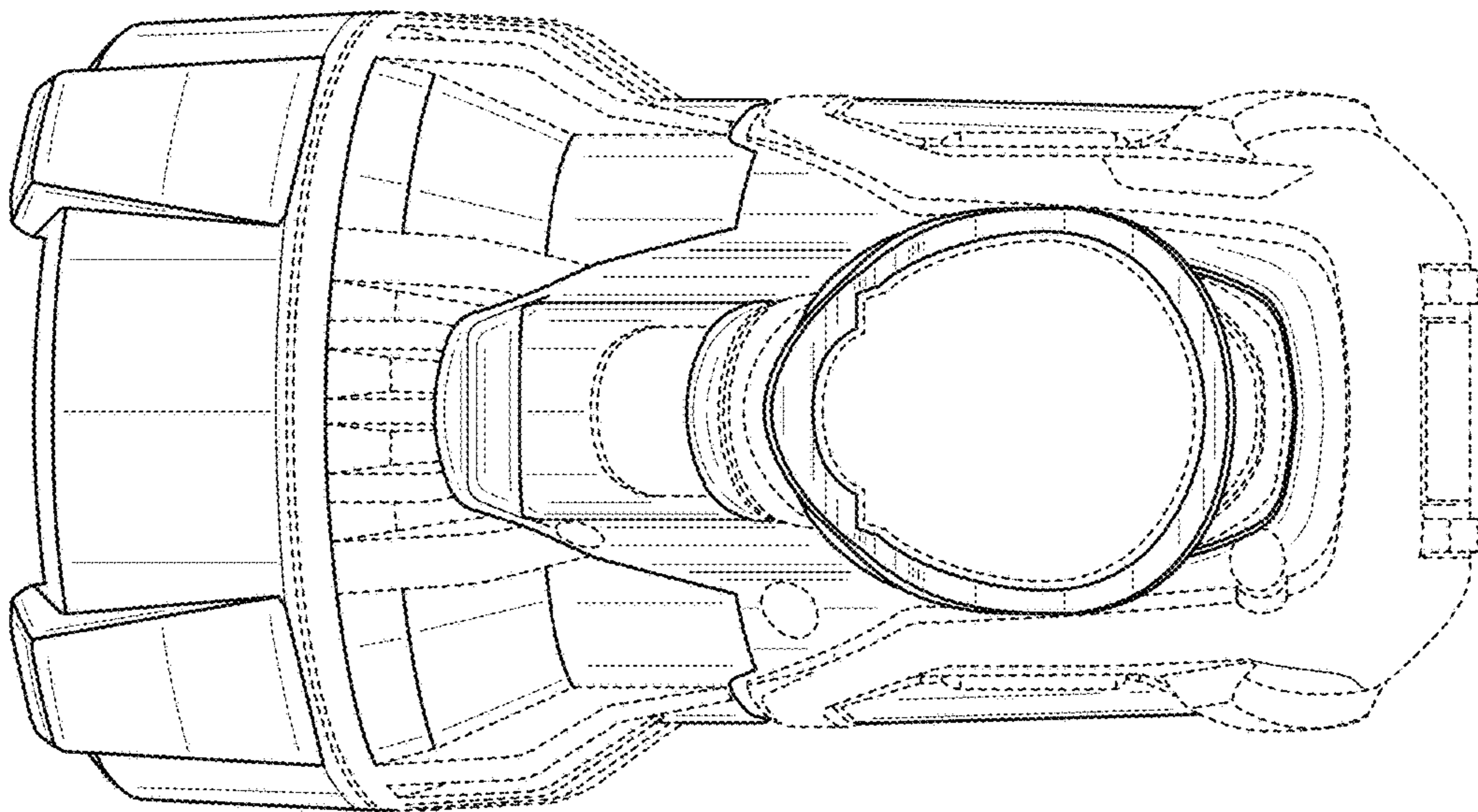


FIG. 7