



US00D833048S

(12) **United States Design Patent** (10) **Patent No.:** **US D833,048 S**  
**Chen** (45) **Date of Patent:** **\*\* Nov. 6, 2018**

(54) **CAMPING LIGHT**

(71) Applicant: **Yi Chen**, Shenzhen (CN)

(72) Inventor: **Yi Chen**, Shenzhen (CN)

(\*\*) Term: **15 Years**

(21) Appl. No.: **29/630,025**

(22) Filed: **Dec. 19, 2017**

(30) **Foreign Application Priority Data**

Aug. 9, 2017 (EM) ..... 004138923-0001

(51) **LOC (11) Cl.** ..... **26-02**

(52) **U.S. Cl.**  
USPC ..... **D26/41**

(58) **Field of Classification Search**  
USPC ..... D26/37-51, 1, 2  
CPC ..... F21L 2003/00; F21L 4/00; F21L 4/005;  
F21L 4/02; F21L 4/025; F21L 4/027;  
F21L 4/04; F21L 4/08; F21L 2005/00;  
F21L 7/00; F21L 11/00; F21L 13/00;  
F21L 13/04; F21L 13/08; F21L 14/02;  
F21L 17/00; F21L 19/00; F21L 25/00  
See application file for complete search history.

(56) **References Cited**

U.S. PATENT DOCUMENTS

D407,512 S \* 3/1999 Yuen ..... D26/41  
D429,832 S \* 8/2000 Poon ..... D26/40  
D464,454 S \* 10/2002 Suzuki ..... D26/40  
6,814,465 B2 \* 11/2004 Forsythe ..... F21L 4/005  
362/109  
6,877,878 B2 \* 4/2005 Raskas ..... H04N 5/2256  
348/E5.029  
D568,512 S \* 5/2008 Shiu ..... D26/40  
D599,923 S \* 9/2009 Shiu ..... D26/40  
D604,436 S \* 11/2009 Poon ..... D26/40  
D619,743 S \* 7/2010 Liu ..... D26/49

D620,155 S \* 7/2010 Wang ..... D26/2  
D620,162 S \* 7/2010 Liu ..... D26/49  
D625,849 S \* 10/2010 Lee ..... D26/2  
D628,314 S \* 11/2010 Yamamoto ..... D26/2  
D628,320 S \* 11/2010 Yamamoto ..... D26/2  
D632,409 S \* 2/2011 Qiu ..... D26/2  
D642,293 S \* 7/2011 Lee ..... D26/2  
D643,949 S \* 8/2011 Yamamoto ..... D26/2  
D645,584 S \* 9/2011 Kim ..... D26/2  
D646,412 S 10/2011 Taiga  
D648,870 S \* 11/2011 Kim ..... D26/2  
D667,573 S \* 9/2012 Yamamoto ..... D26/2  
D685,115 S \* 6/2013 Hwu ..... D26/2  
D688,822 S \* 8/2013 Yen ..... D26/2  
D691,291 S \* 10/2013 Qiu ..... D26/2  
D700,374 S \* 2/2014 Tomiyoshi ..... D26/2  
D706,460 S \* 6/2014 Lu ..... D26/2  
D725,808 S \* 3/2015 Andre ..... D26/37  
D737,477 S \* 8/2015 Yang ..... D26/2  
D748,836 S 2/2016 Zhang  
D765,294 S \* 8/2016 Li ..... D26/37  
D773,703 S \* 12/2016 Krantz ..... D26/40

(Continued)

*Primary Examiner* — Lakiya G Rogers

*Assistant Examiner* — Carissa C Fitts

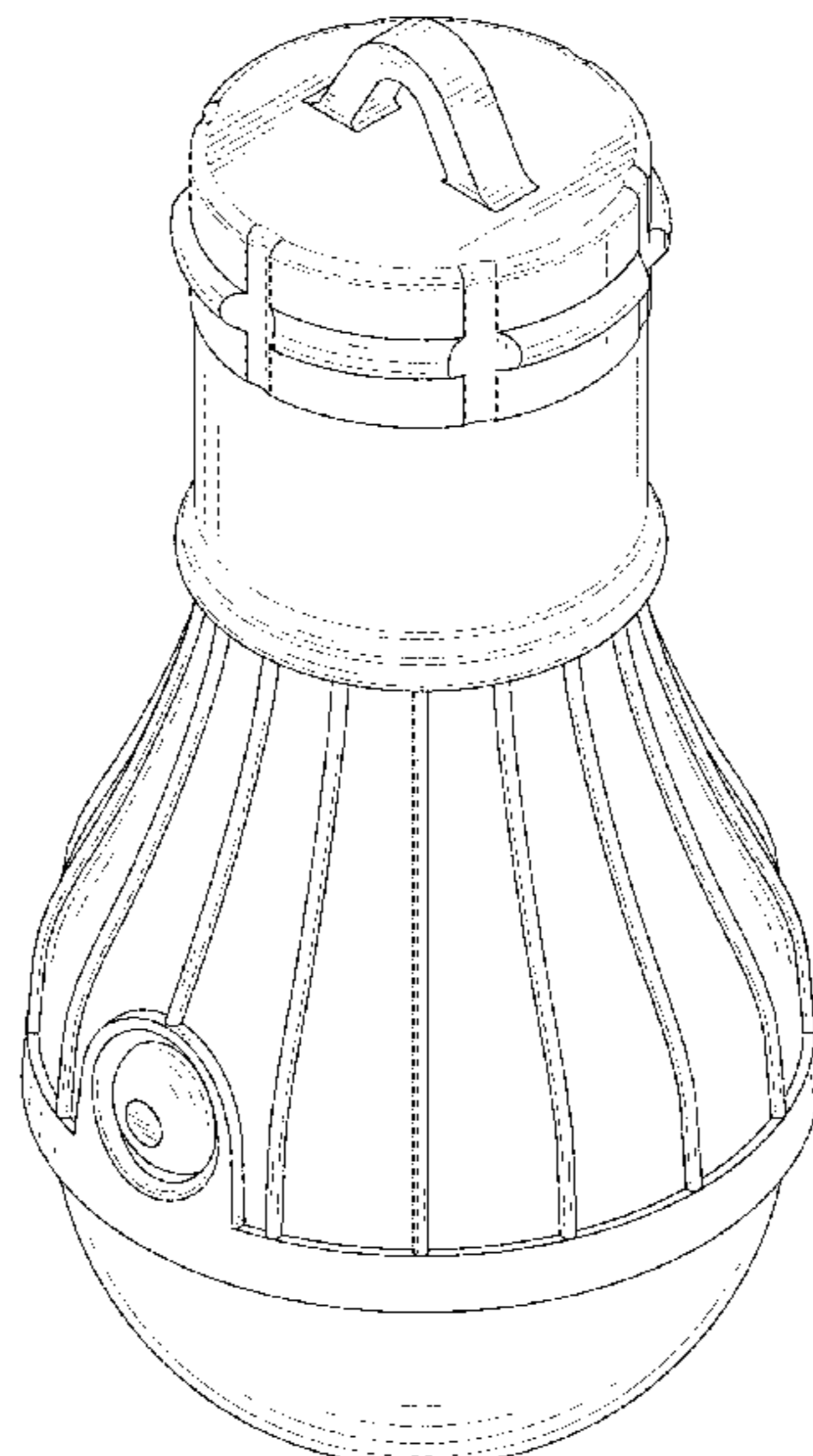
(57) **CLAIM**

The ornamental design for a camping light, as shown and described.

**DESCRIPTION**

FIG. 1 is a perspective view of the camping light showing my new design;  
FIG. 2 is similar to FIG. 1, viewed from another aspect;  
FIG. 3 is a front elevational view thereof;  
FIG. 4 is a rear elevational view thereof;  
FIG. 5 is a left side elevational view thereof;  
FIG. 6 is a right side elevational view thereof;  
FIG. 7 is a top plan view thereof; and,  
FIG. 8 is a bottom plan view thereof.

**1 Claim, 8 Drawing Sheets**



(56)

**References Cited**

U.S. PATENT DOCUMENTS

D775,746 S \* 1/2017 Zolotykh ..... D26/2  
D790,098 S \* 6/2017 Esarey ..... D26/40

\* cited by examiner

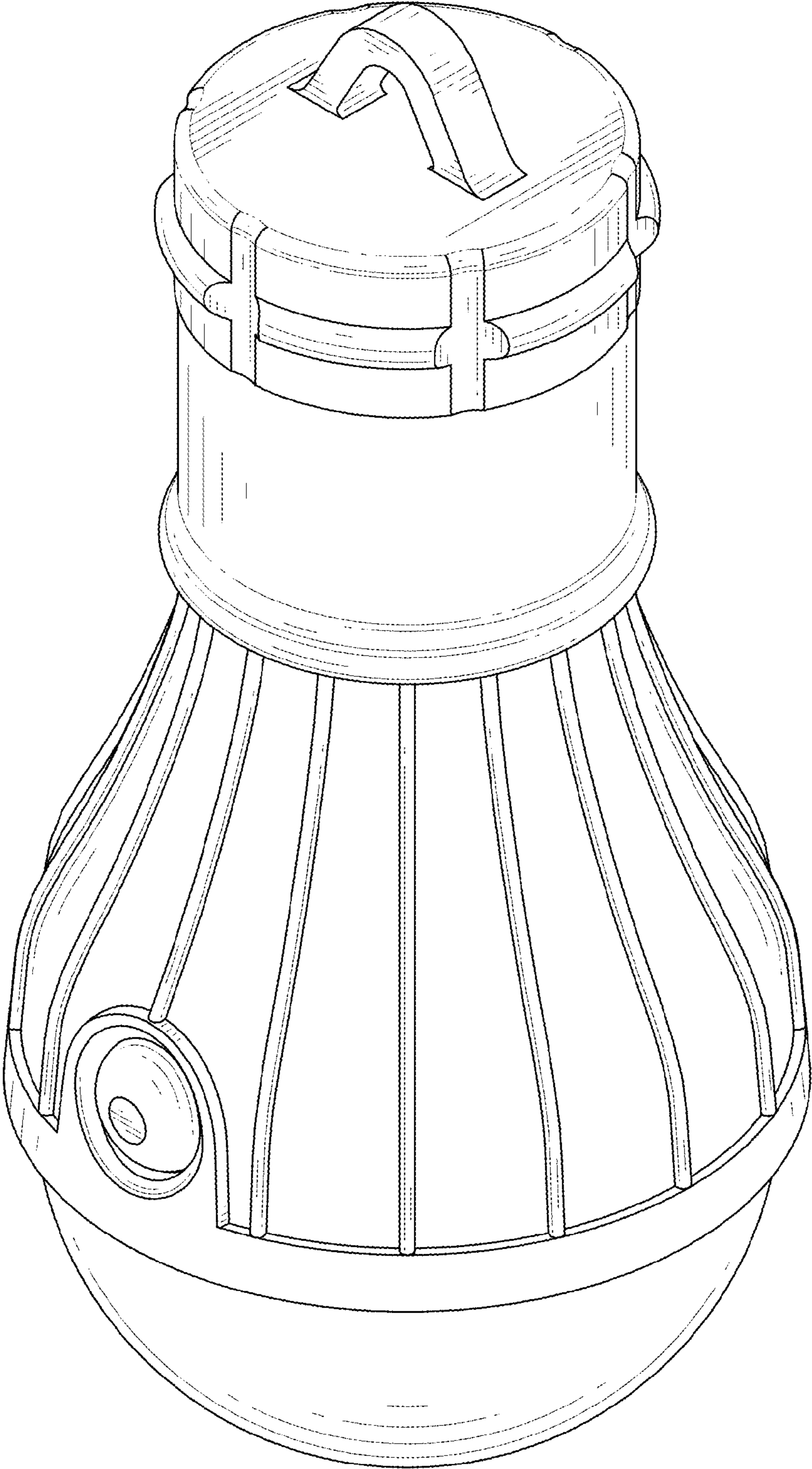


FIG. 1

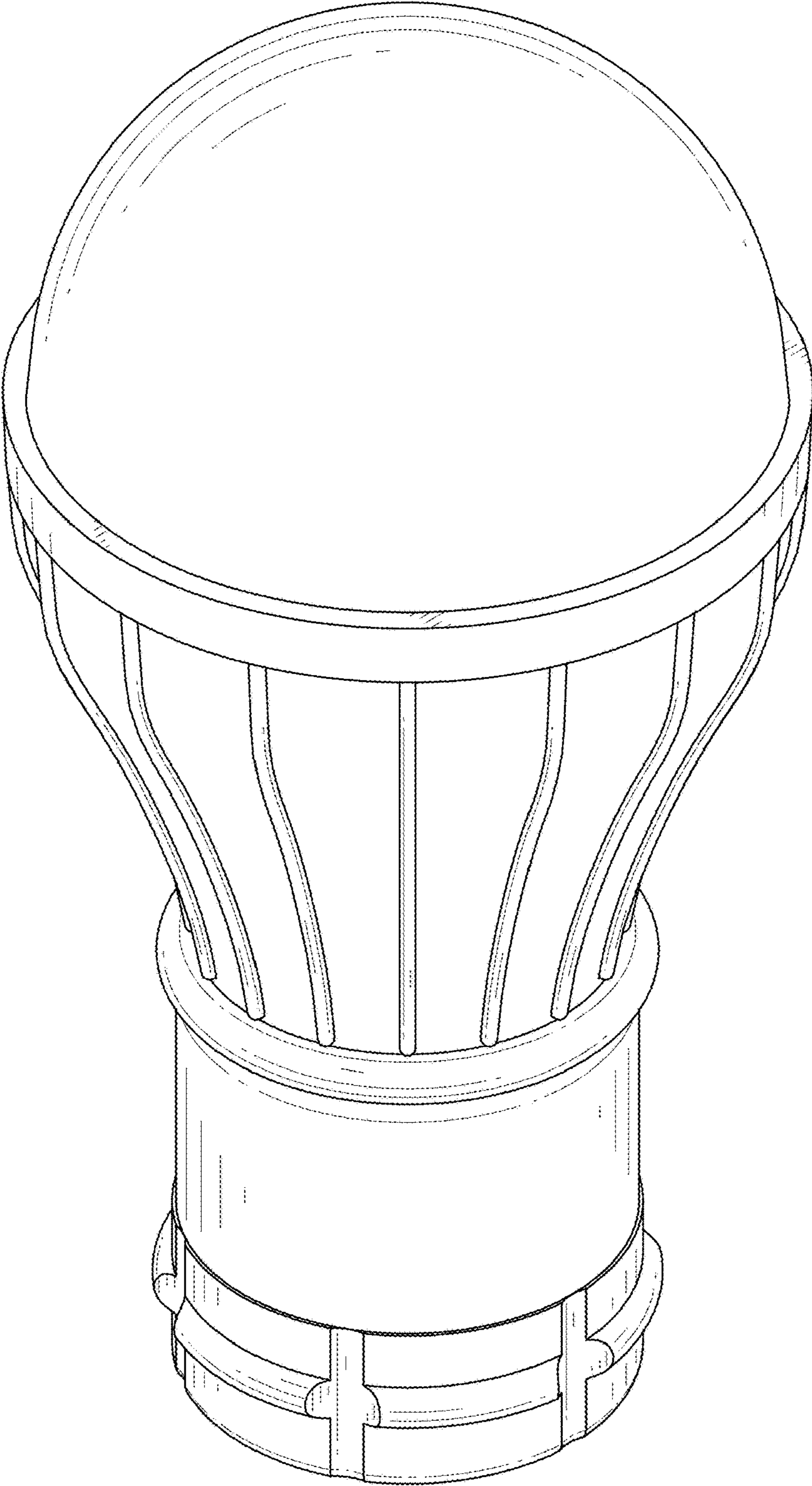


FIG. 2

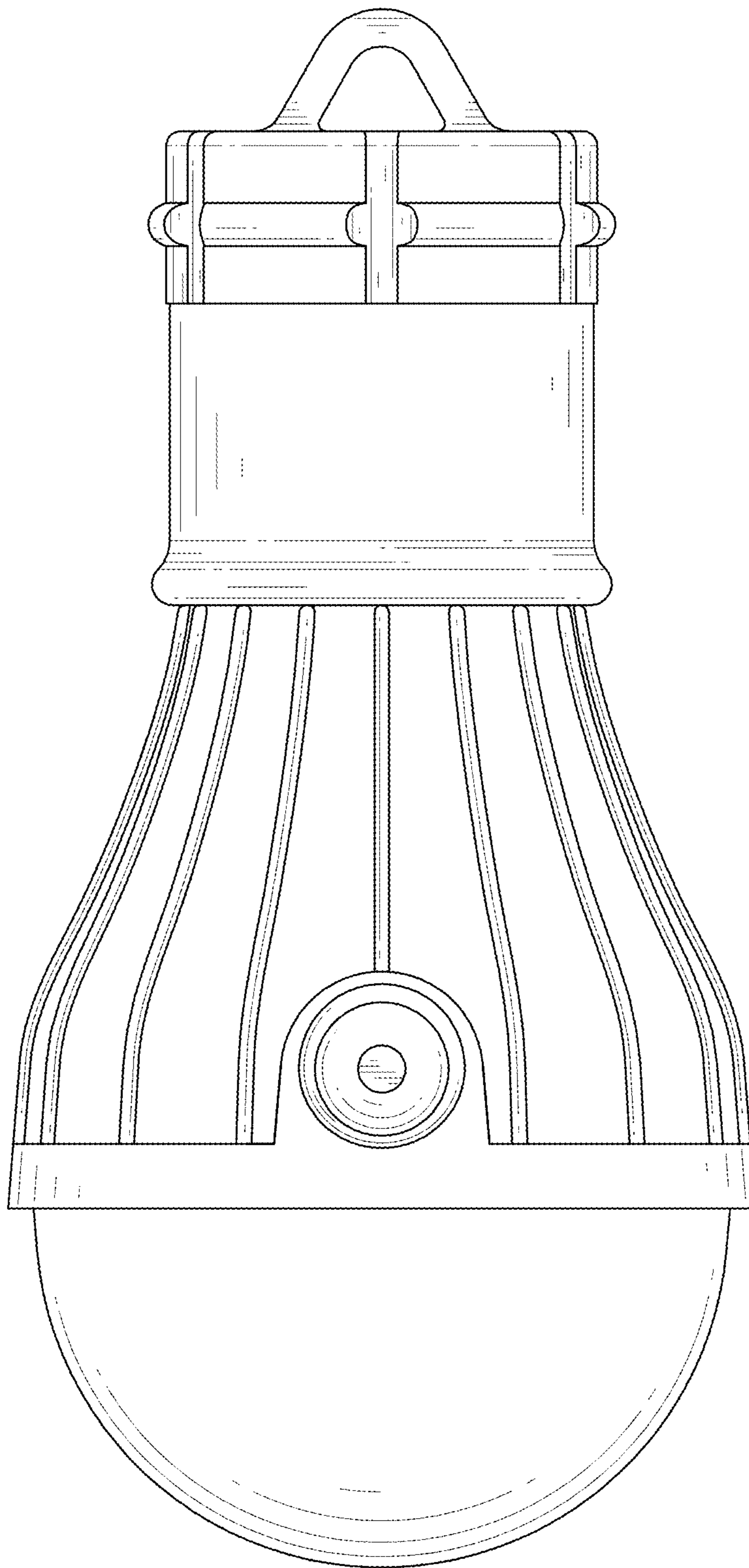


FIG. 3

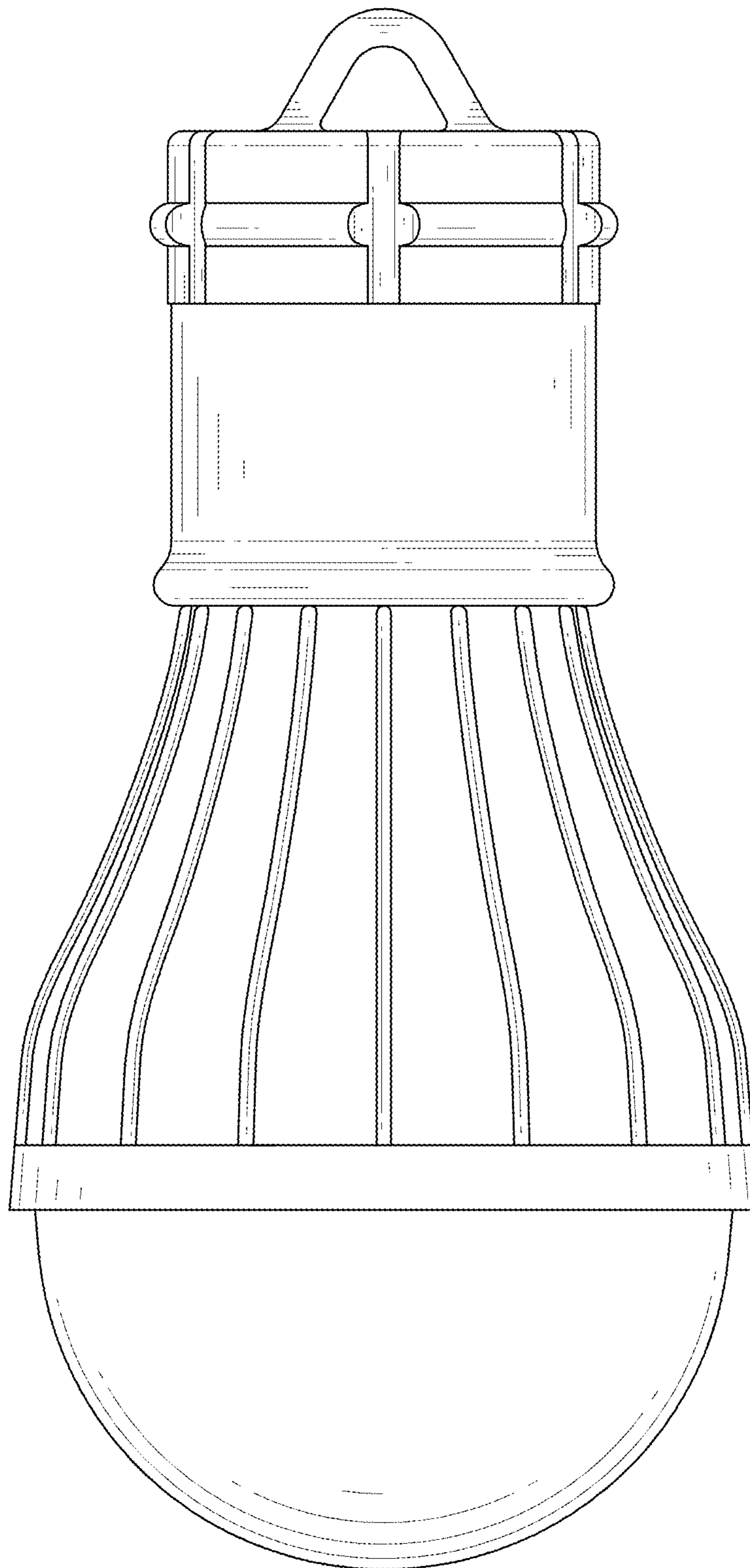


FIG. 4

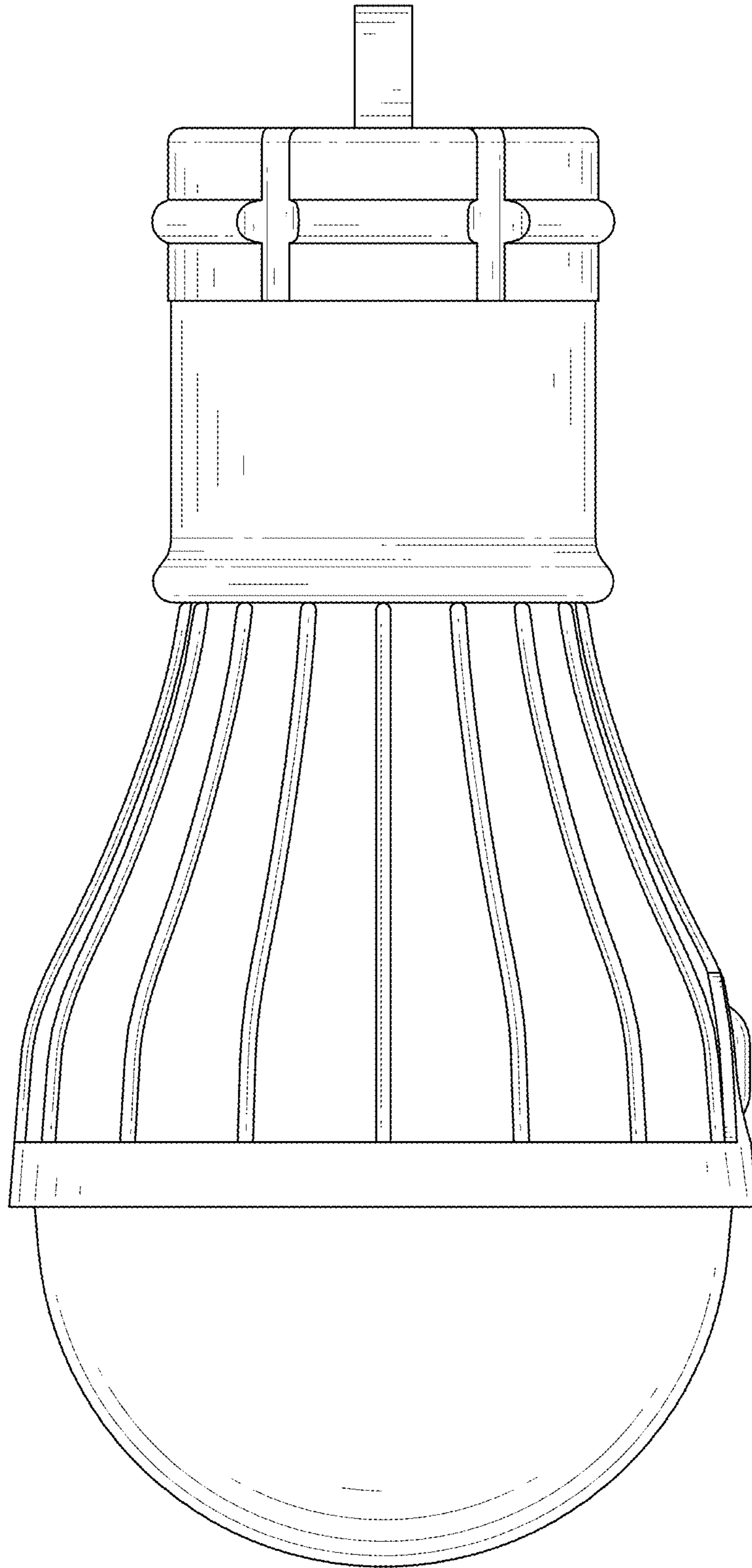


FIG. 5

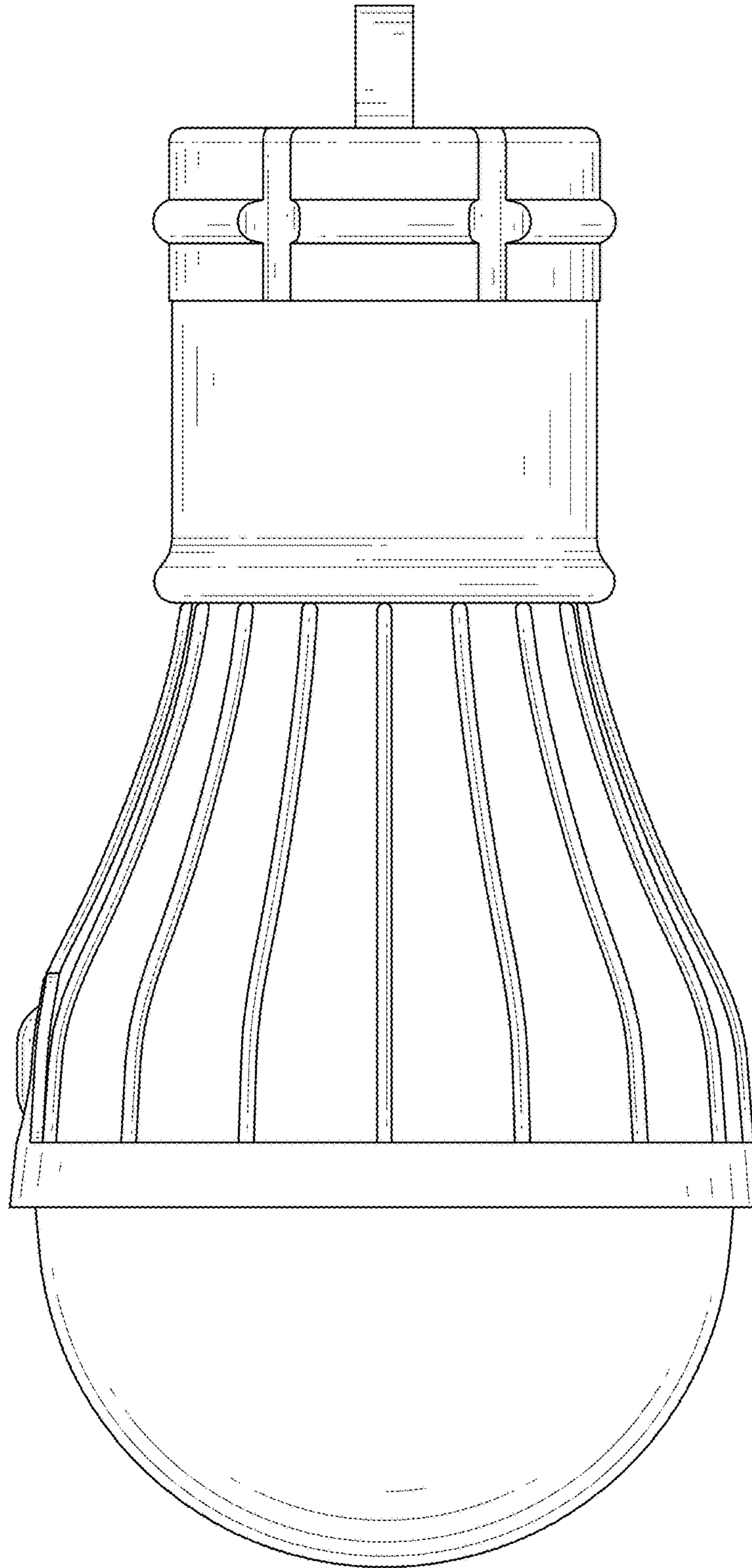


FIG. 6



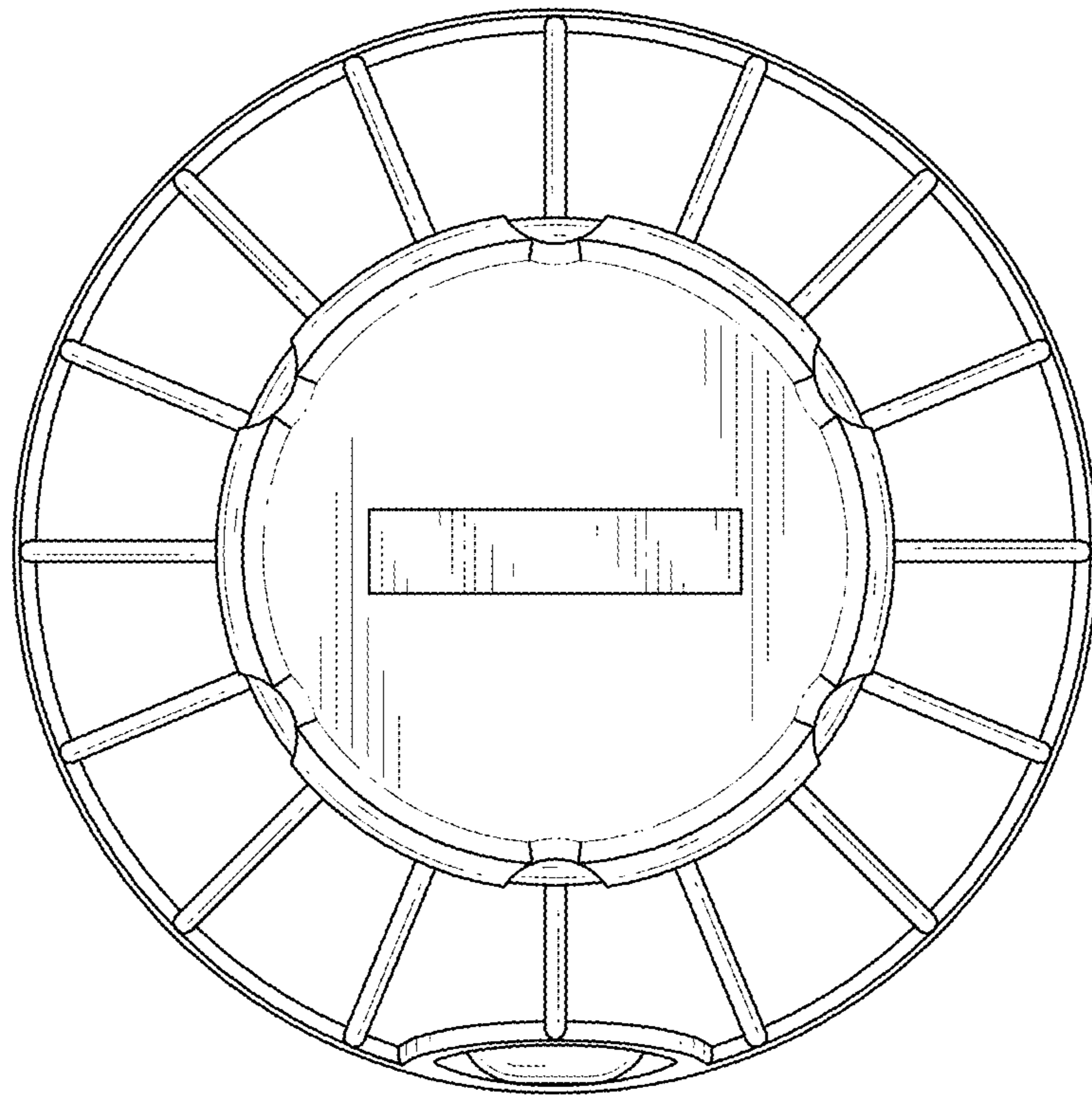


FIG. 7

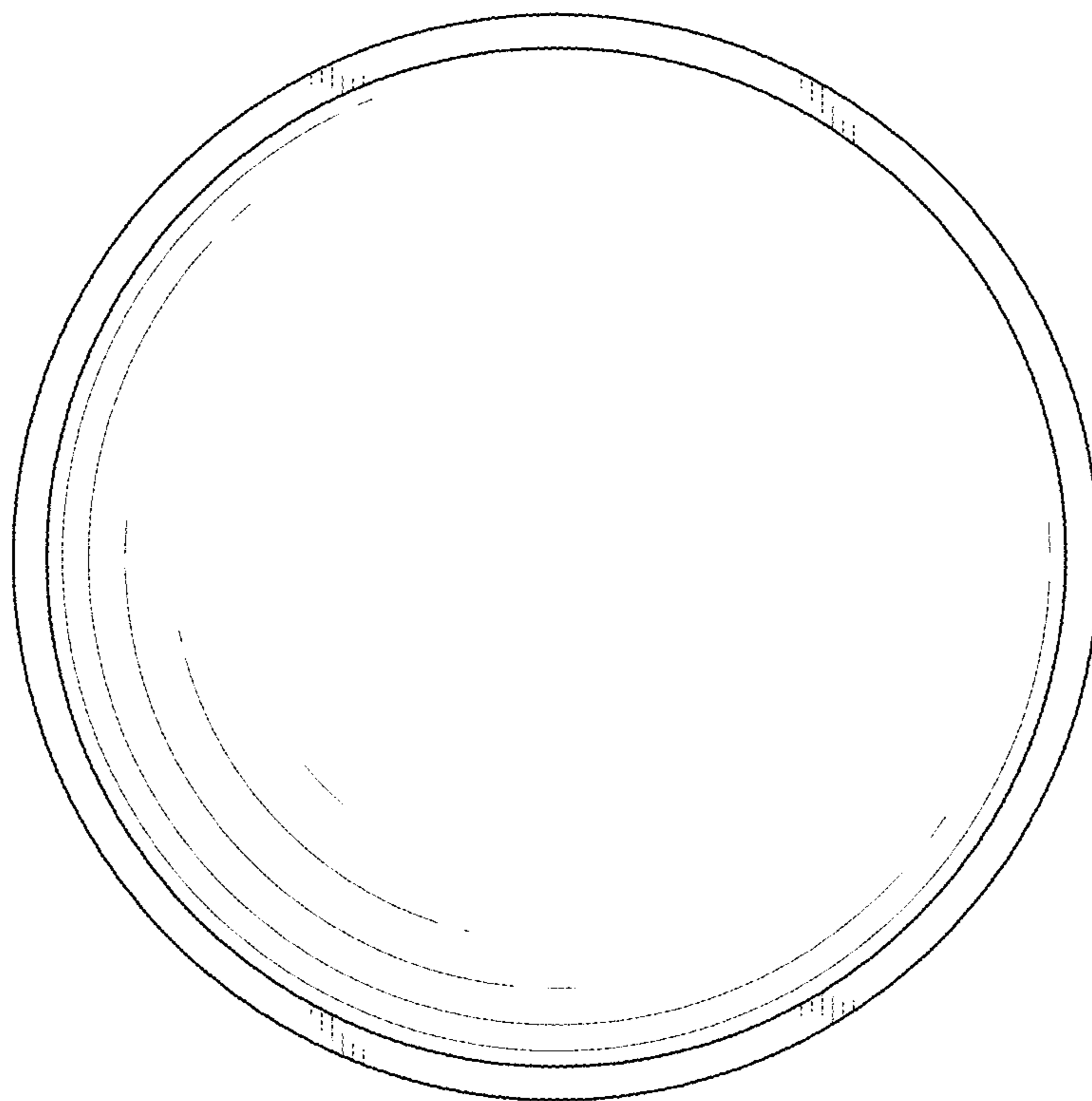


FIG. 8