



US00D833046S

(12) **United States Design Patent**
Jiang

(10) **Patent No.:** **US D833,046 S**

(45) **Date of Patent:** **** Nov. 6, 2018**

(54) **LAMP**

(71) Applicant: **Hongtao Jiang**, Guangdong (CN)

(72) Inventor: **Hongtao Jiang**, Guangdong (CN)

(**) Term: **15 Years**

(21) Appl. No.: **29/623,616**

(22) Filed: **Oct. 26, 2017**

(51) **LOC (11) Cl.** **26-06**

(52) **U.S. Cl.**
USPC **D26/28**

(58) **Field of Classification Search**

USPC D26/28-36; 362/80-83, 267-269,
362/459-468, 475-478, 485-487
CPC F21S 48/00; F21S 48/10; F21S 48/115;
F21S 48/225; F21S 48/1233; F21S
48/1266; F21S 48/1388; F21S 48/2268;
F21V 21/04

See application file for complete search history.

(56) **References Cited**

U.S. PATENT DOCUMENTS

D490,172 S * 5/2004 Yamamoto D26/28
D564,683 S * 3/2008 Roach D26/28

D626,670 S * 11/2010 Metzger D26/28
D688,400 S * 8/2013 Haumann D26/28
D716,477 S * 10/2014 Chu D26/28
D718,478 S * 11/2014 Adams D26/28

* cited by examiner

Primary Examiner — Marcus Jackson

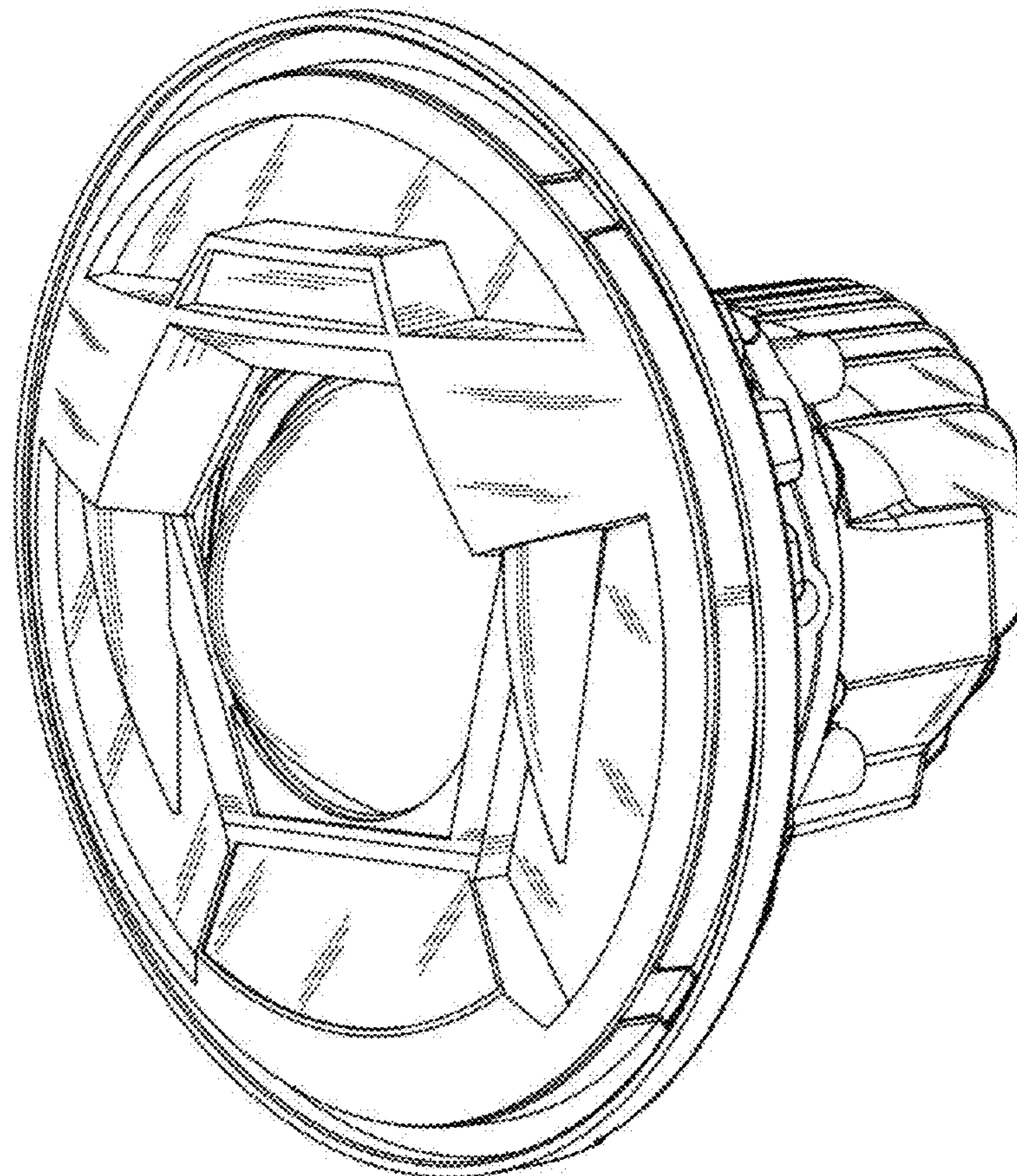
(57) **CLAIM**

The ornamental design for a lamp, as shown and described.

DESCRIPTION

FIG. 1 is a perspective view of a lamp showing my new design;
FIG. 2 is a front elevational view thereof;
FIG. 3 is a rear elevational view thereof;
FIG. 4 is a left side elevational view thereof;
FIG. 5 is a right side elevational view thereof;
FIG. 6 is a top plan view thereof; and,
FIG. 7 is a bottom plan view thereof.

1 Claim, 7 Drawing Sheets



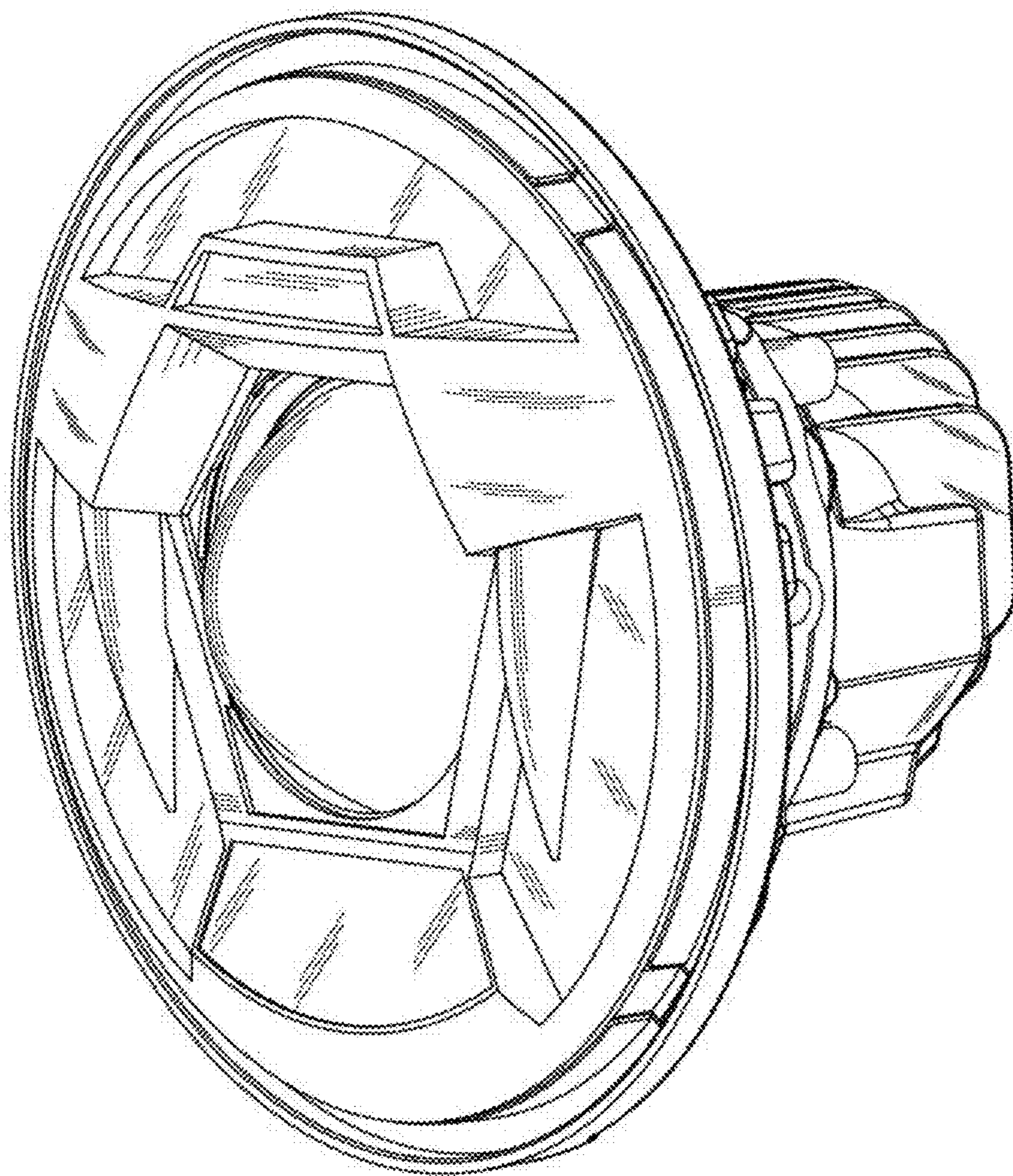


FIG.1

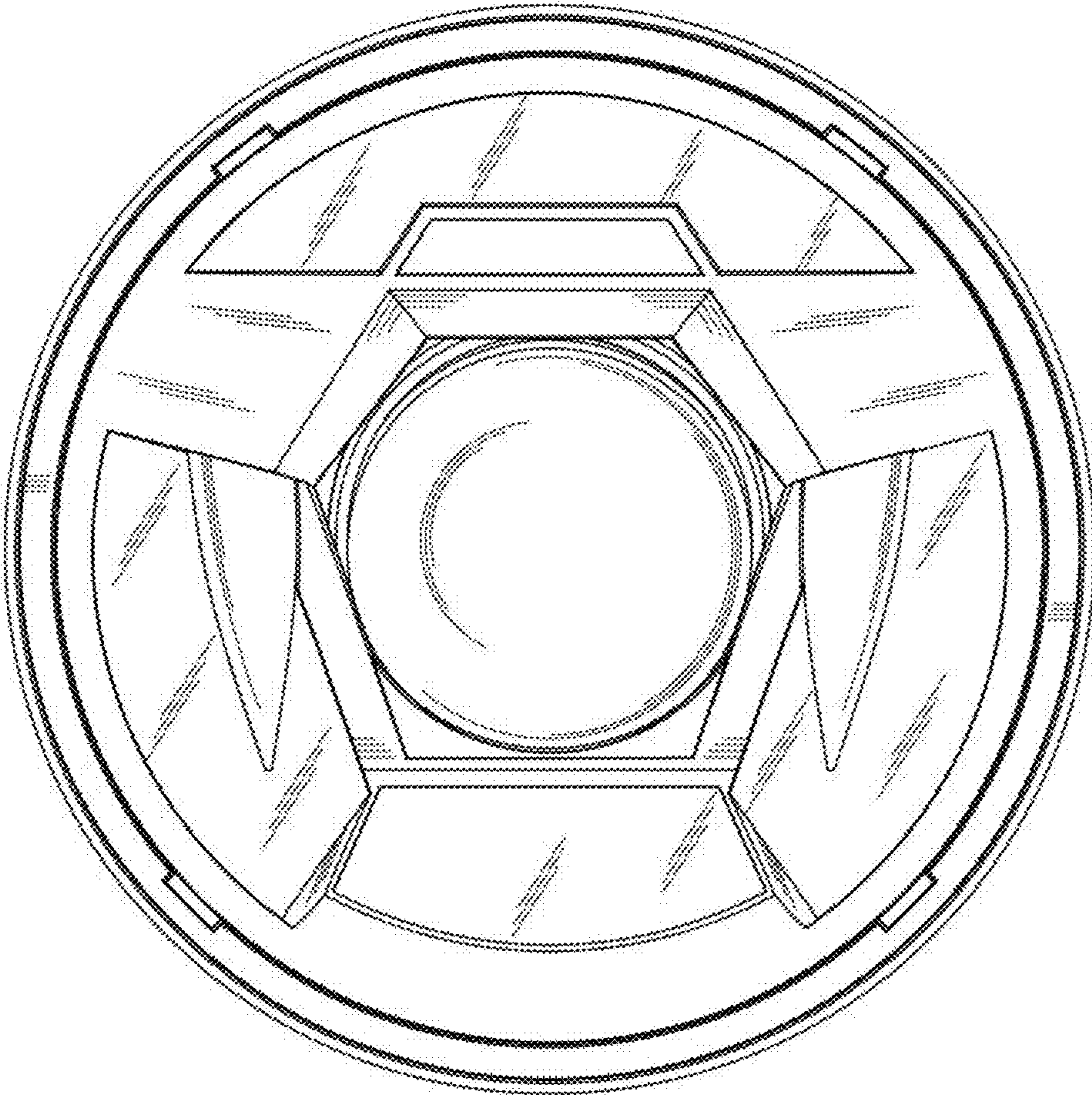


FIG.2

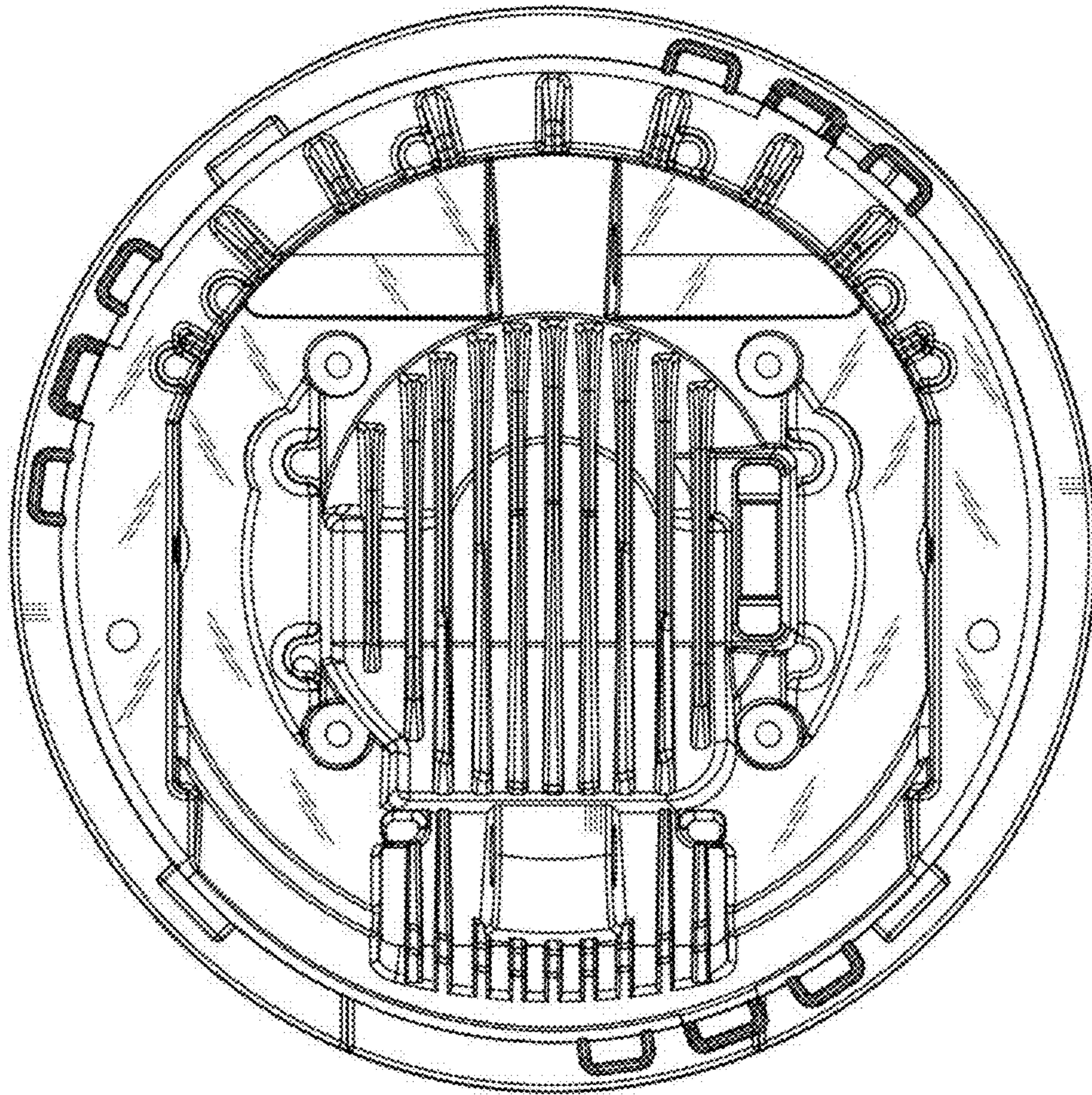


FIG.3

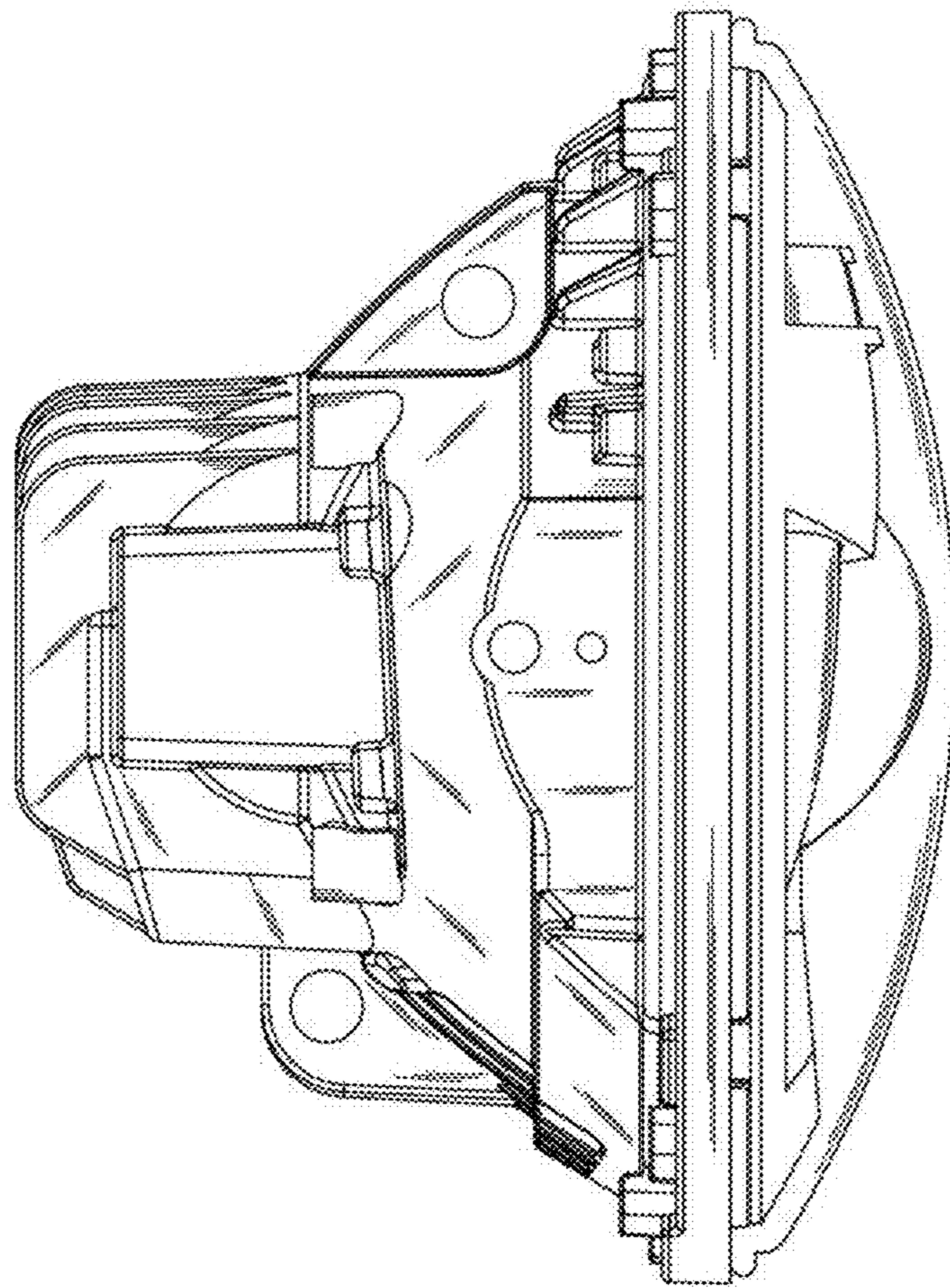


FIG.4

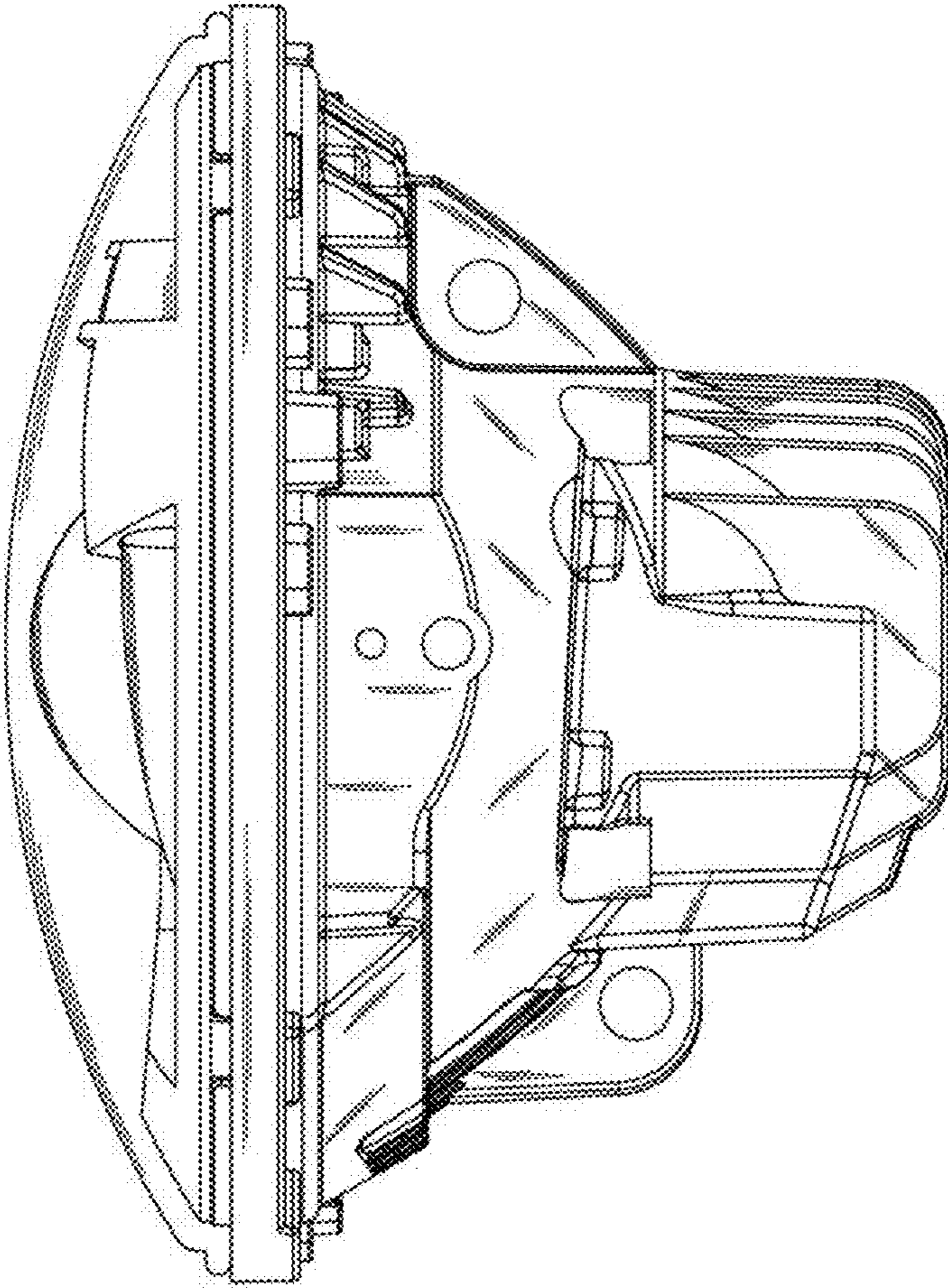


FIG.5

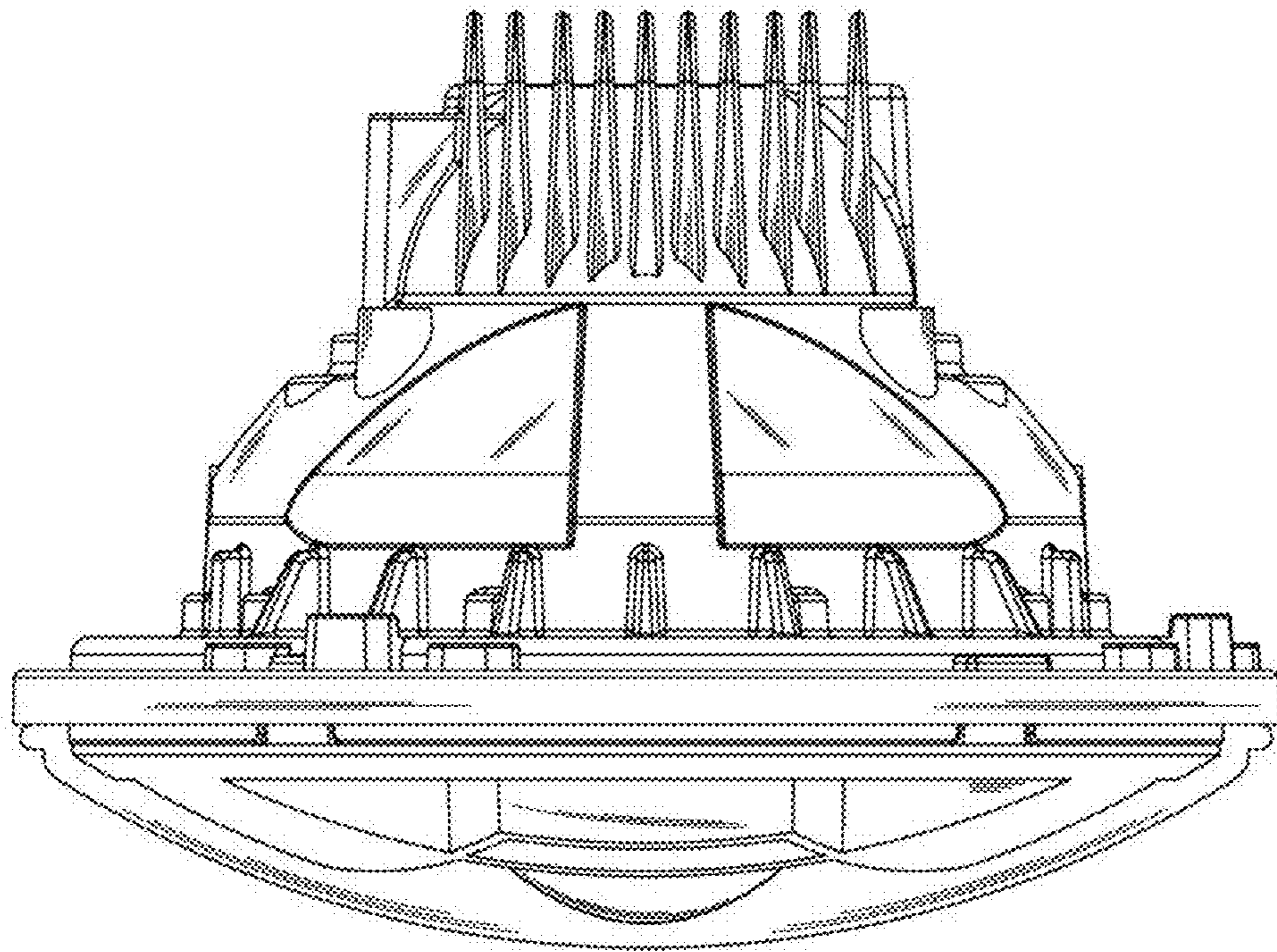


FIG.6

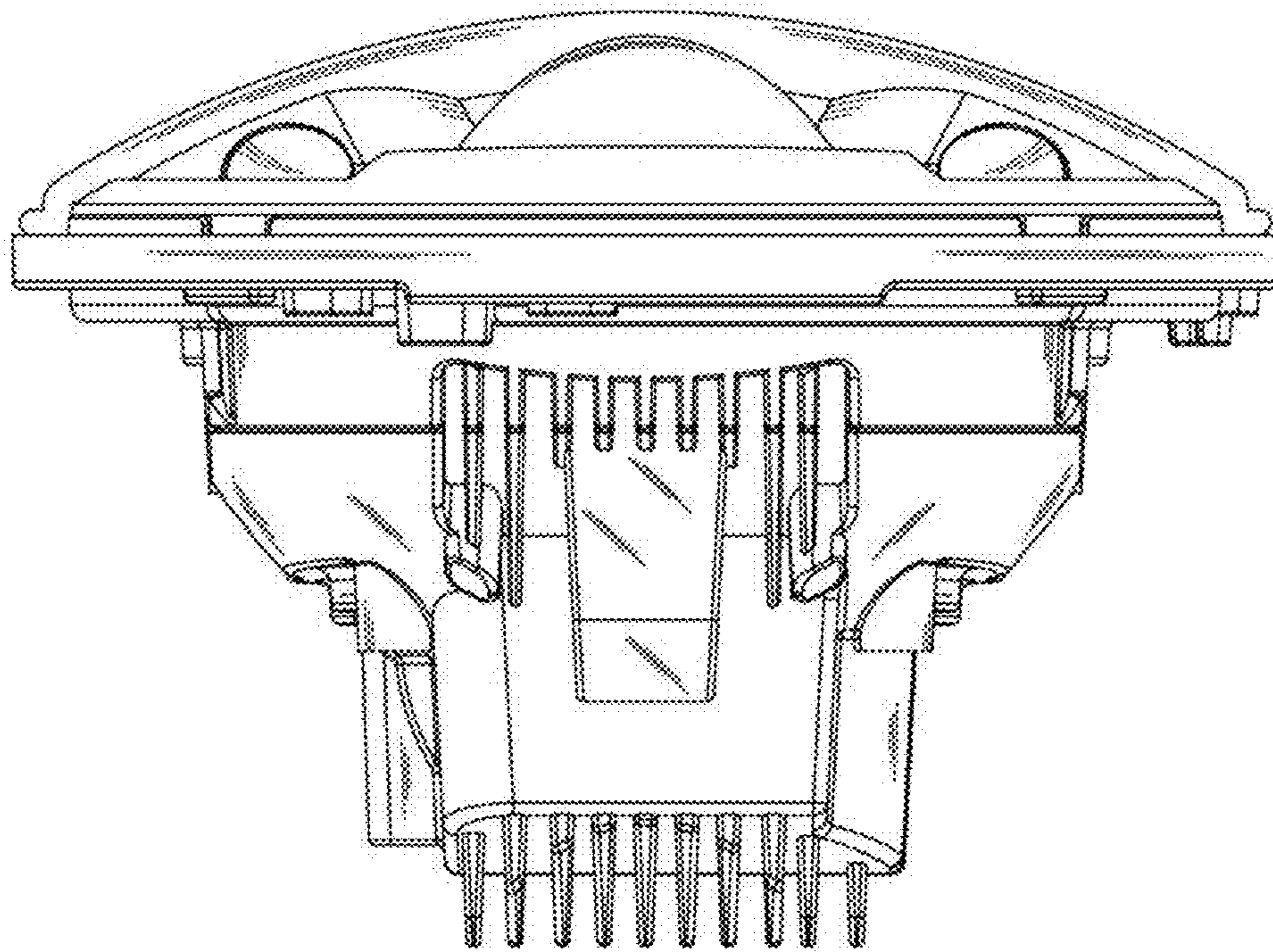


FIG.7