



US00D833045S

(12) **United States Design Patent** (10) **Patent No.:** **US D833,045 S**
Metros et al. (45) **Date of Patent:** **** Nov. 6, 2018**

(54) **VEHICLE HEADLIGHT**

(56) **References Cited**

(71) Applicant: **Ford Global Technologies, LLC**,
Dearborn, MI (US)

(72) Inventors: **Craig S. Metros**, Bloomfield, MI (US);
George Bucher, Dearborn, MI (US);
Christopher G. Walter, Walled Lake,
MI (US); **Andrew Bazinski**,
Amherstburg (CA)

U.S. PATENT DOCUMENTS

D528,231 S *	9/2006	Ikeda	D26/28
D529,208 S *	9/2006	Ikeda	D26/28
D544,614 S *	6/2007	Markefka	D26/28
D658,321 S *	4/2012	Takeda	D26/28
D707,865 S *	6/2014	Yoshida	D26/28
D718,893 S *	12/2014	Lai	D26/28
D801,564 S *	10/2017	Nakamura	D26/28

* cited by examiner

(73) Assignee: **Ford Global Technologies, LLC**,
Dearborn, MI (US)

Primary Examiner — Marcus Jackson

(74) *Attorney, Agent, or Firm* — James Dottavio

(**) Term: **15 Years**

(57) **CLAIM**

The ornamental design for a vehicle headlight, as shown.

(21) Appl. No.: **29/621,083**

DESCRIPTION

(22) Filed: **Oct. 4, 2017**

(51) **LOC (11) Cl.** **26-06**

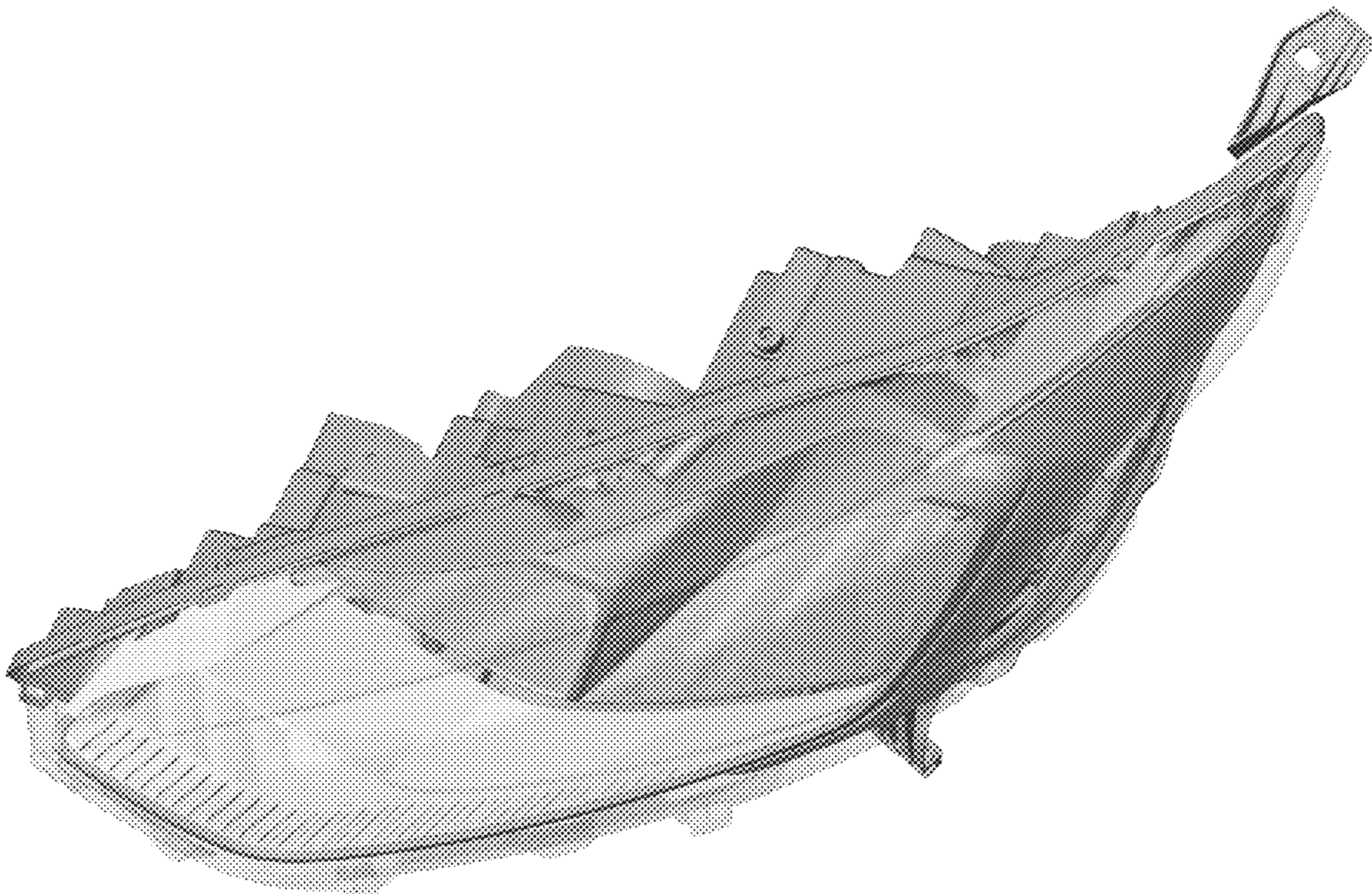
(52) **U.S. Cl.**
USPC **D26/28**

(58) **Field of Classification Search**
USPC D26/28–36; 362/80–83, 267–269,
362/459–468, 475–478, 485–487
CPC F21S 48/00; F21S 48/10; F21S 48/115;
F21S 48/225; F21S 48/1233; F21S
48/1266; F21S 48/1388; F21S 48/2268;
F21V 21/04

FIG. 1 is a top, front, and left side perspective view a right vehicle headlight, showing our new design;
FIG. 2 is a bottom, front, and left side perspective view thereof;
FIG. 3 is a top, and rear perspective view thereof;
FIG. 4 is a front elevational view thereof;
FIG. 5 is a rear elevational view thereof;
FIG. 6 is a left side elevational view thereof;
FIG. 7 is a right side elevational view thereof;
FIG. 8 is a top plan view thereof; and,
FIG. 9 is a bottom plan view thereof.

See application file for complete search history.

1 Claim, 9 Drawing Sheets



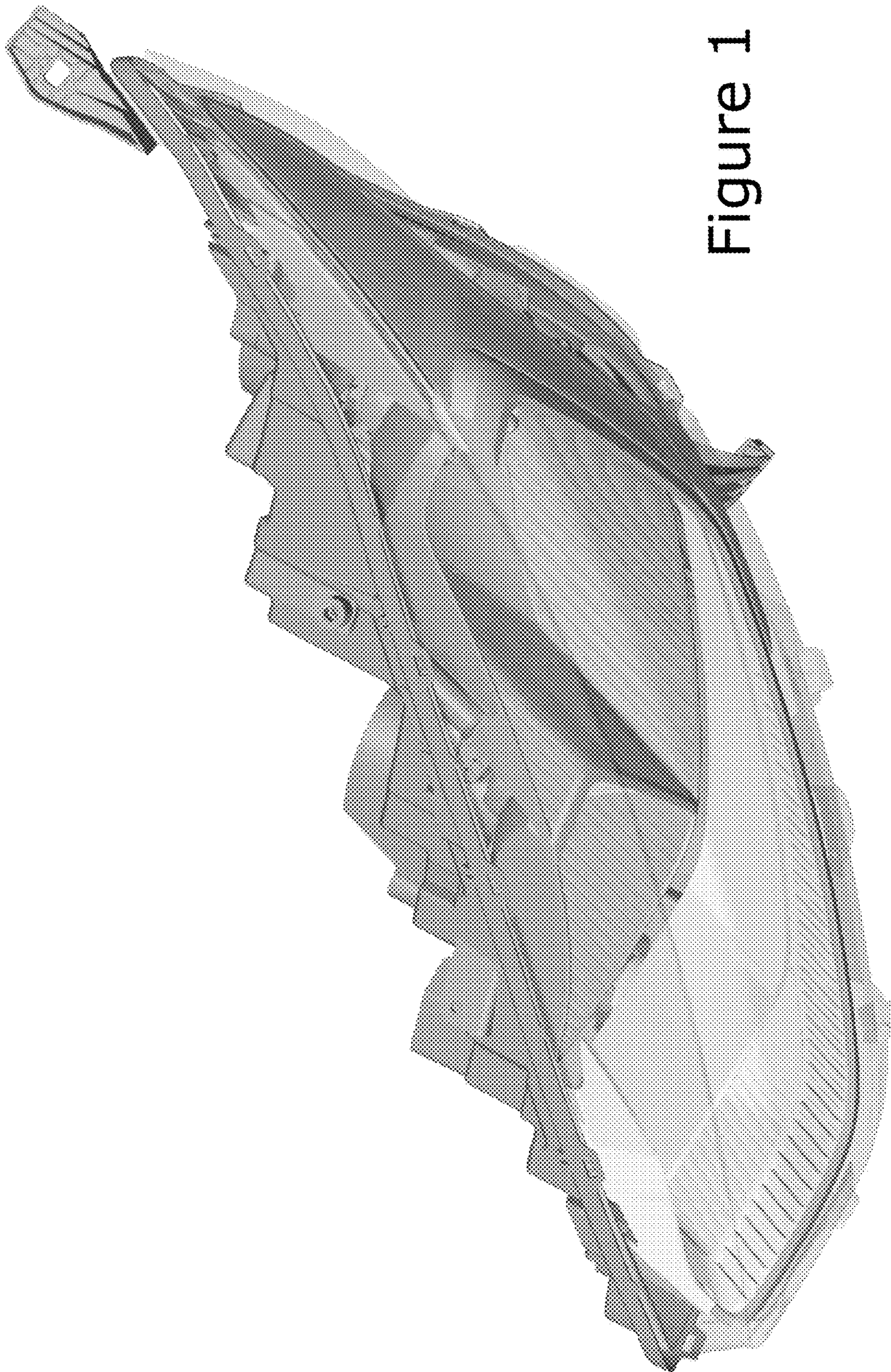


Figure 1

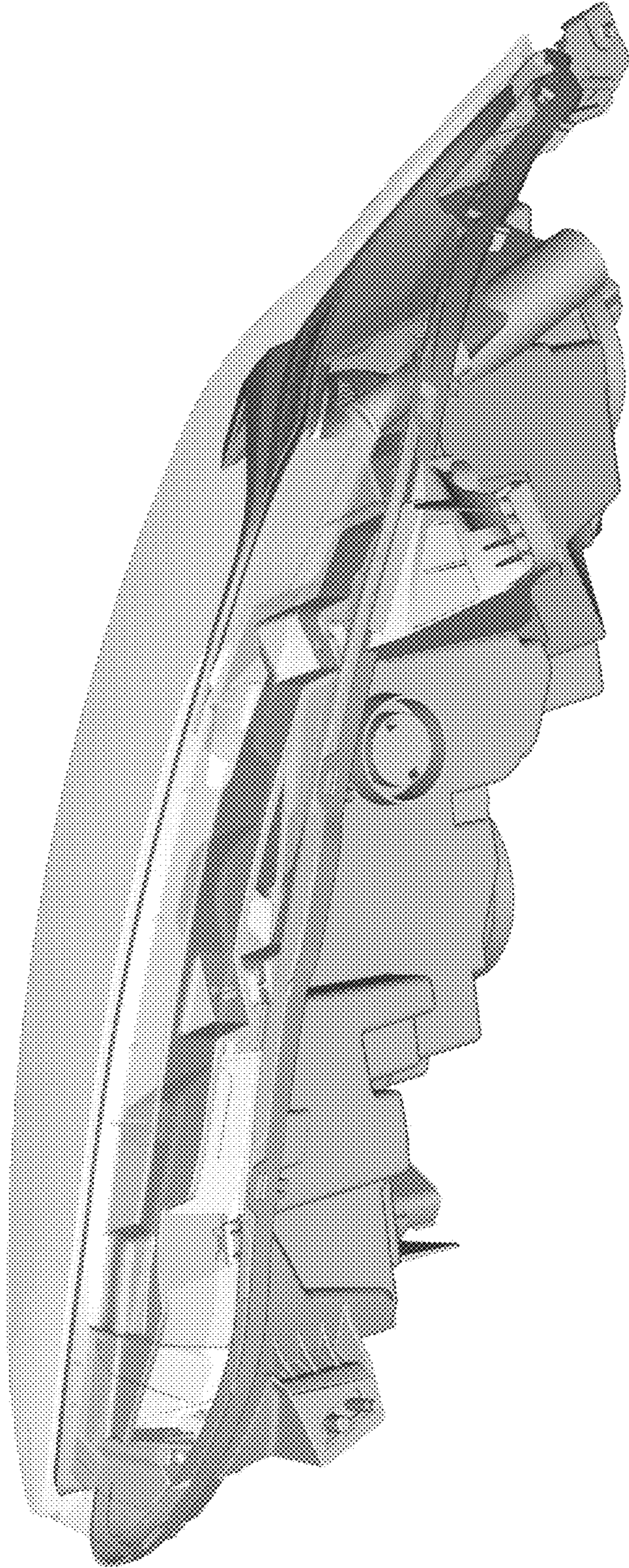


Figure 2

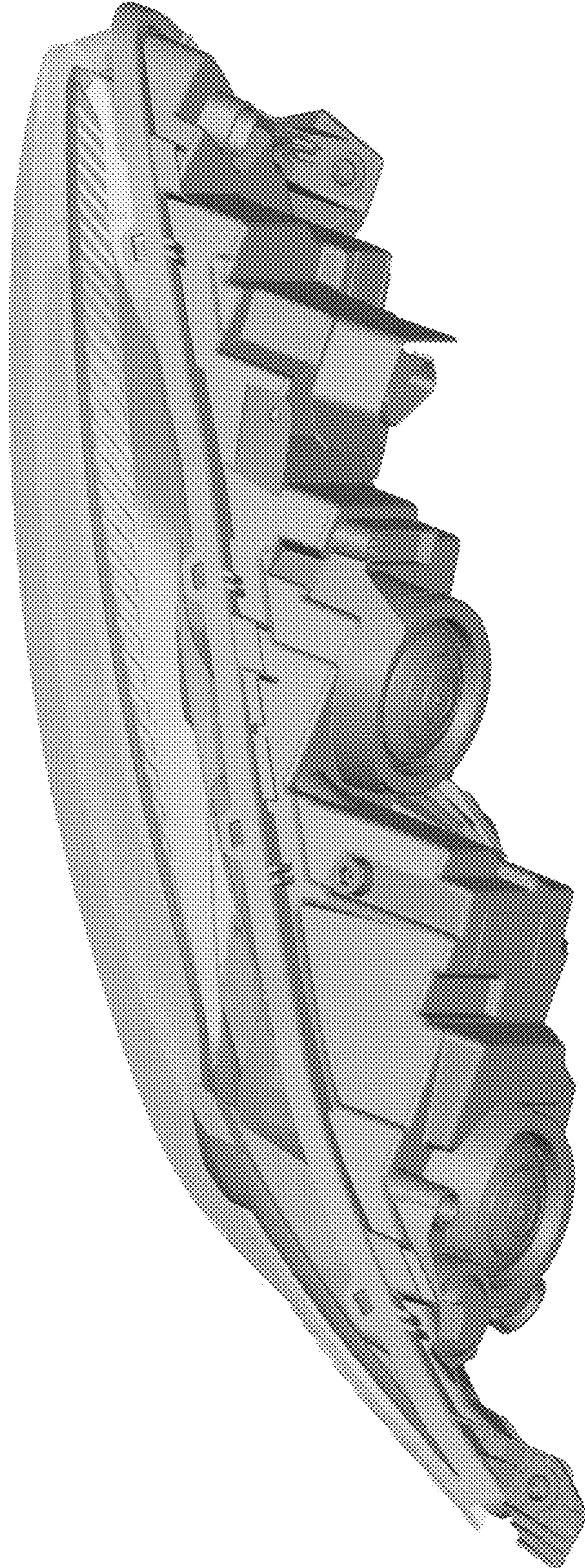


Figure 3

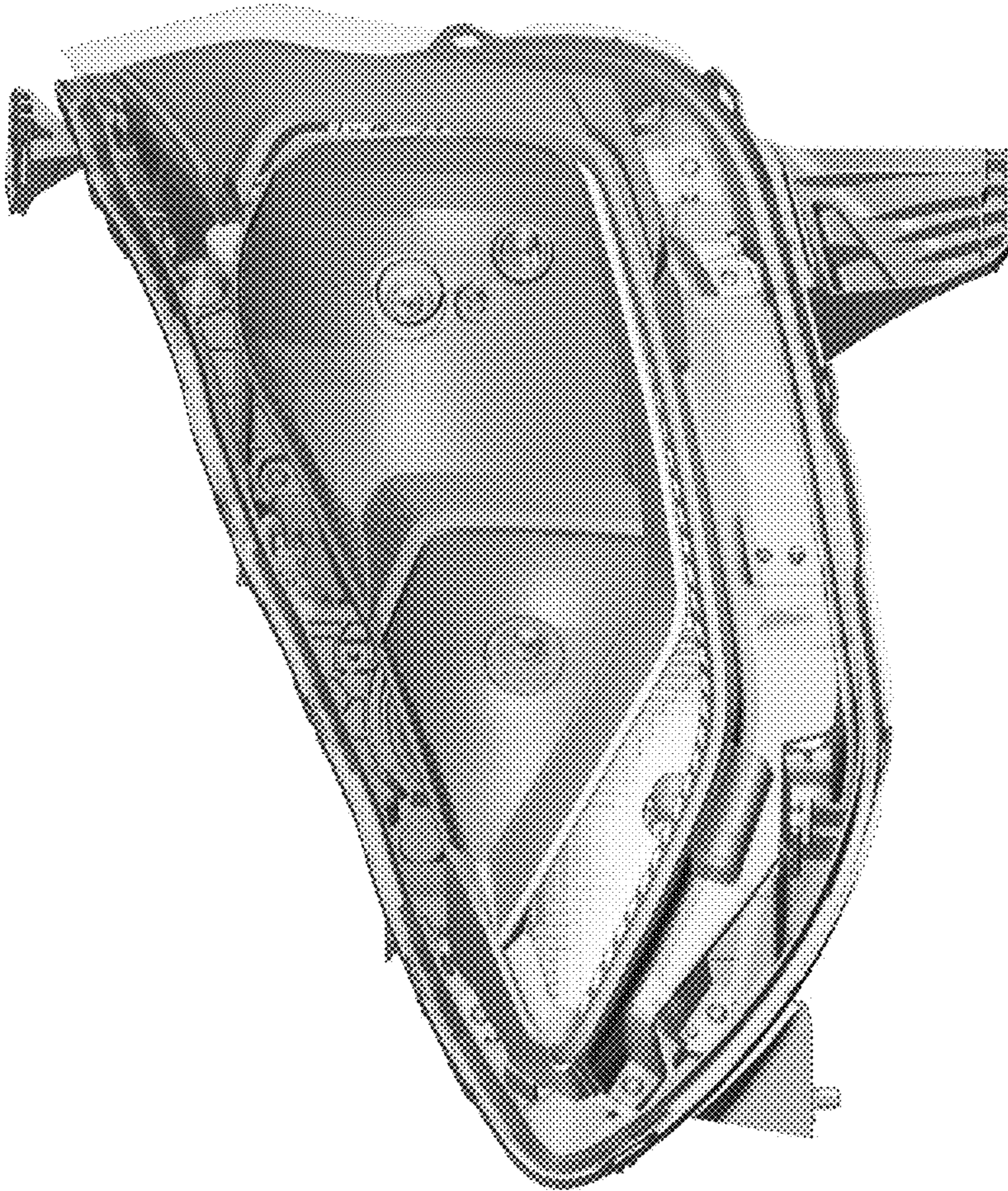


Figure 4

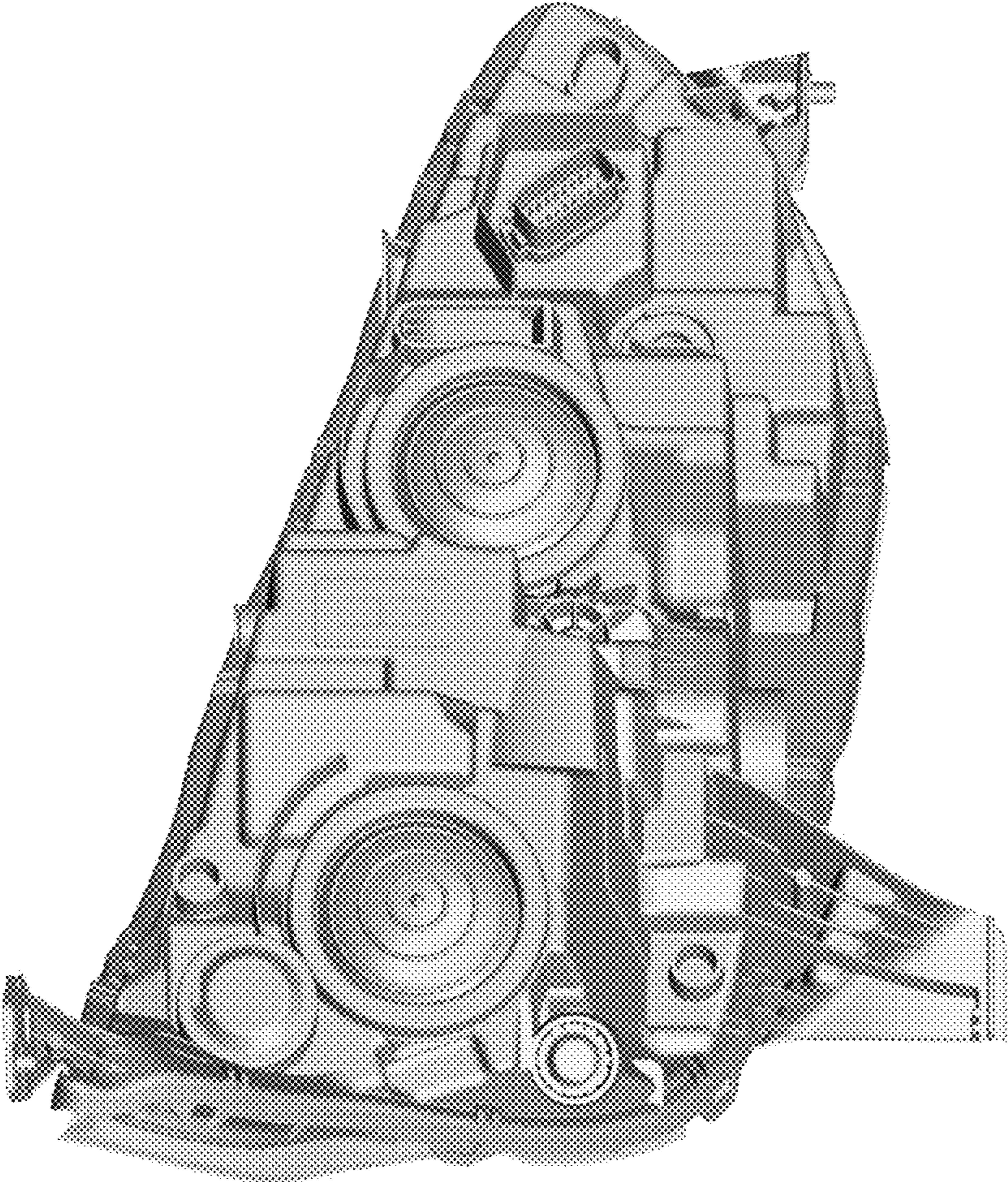


Figure 5

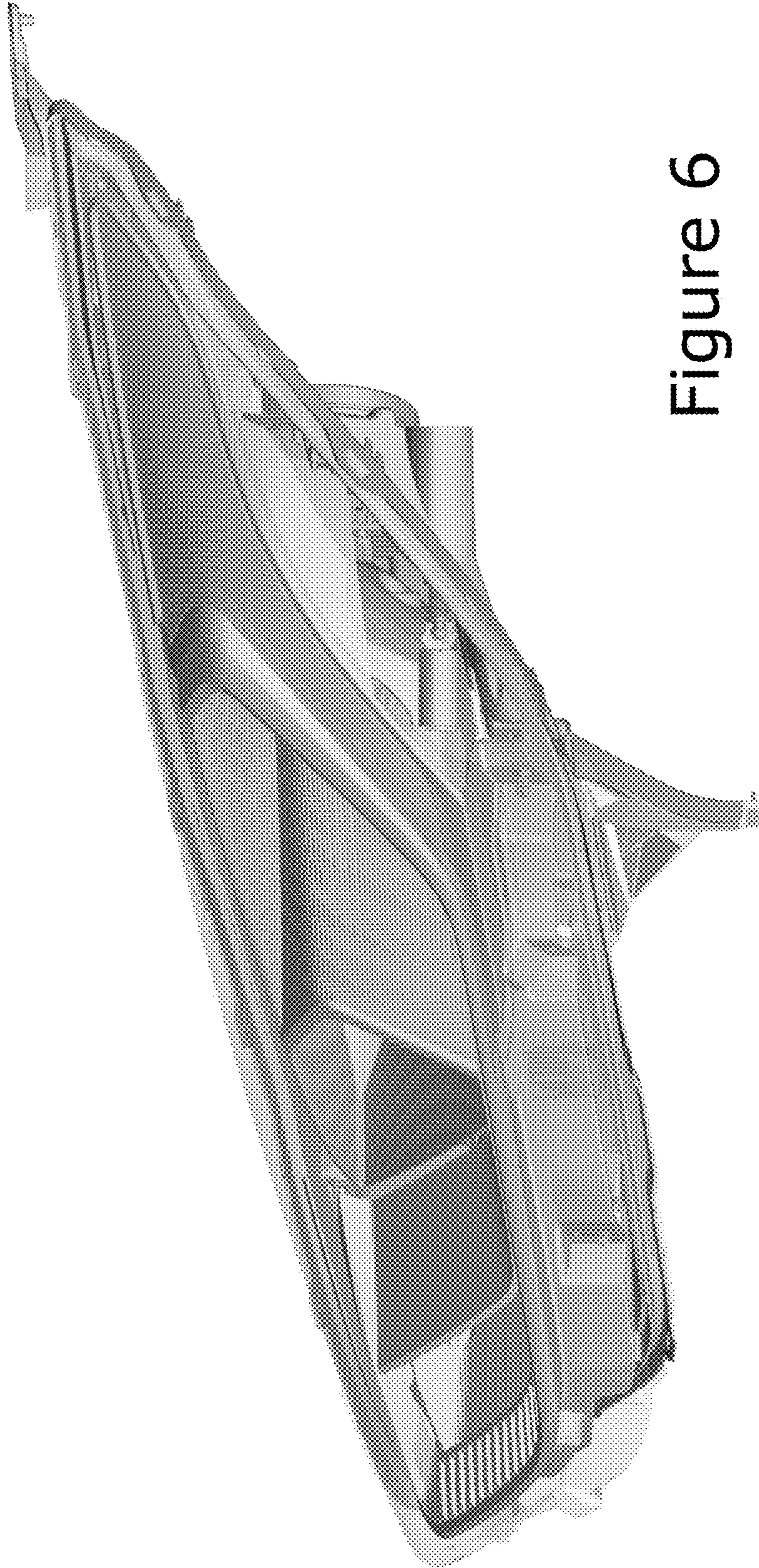


Figure 6

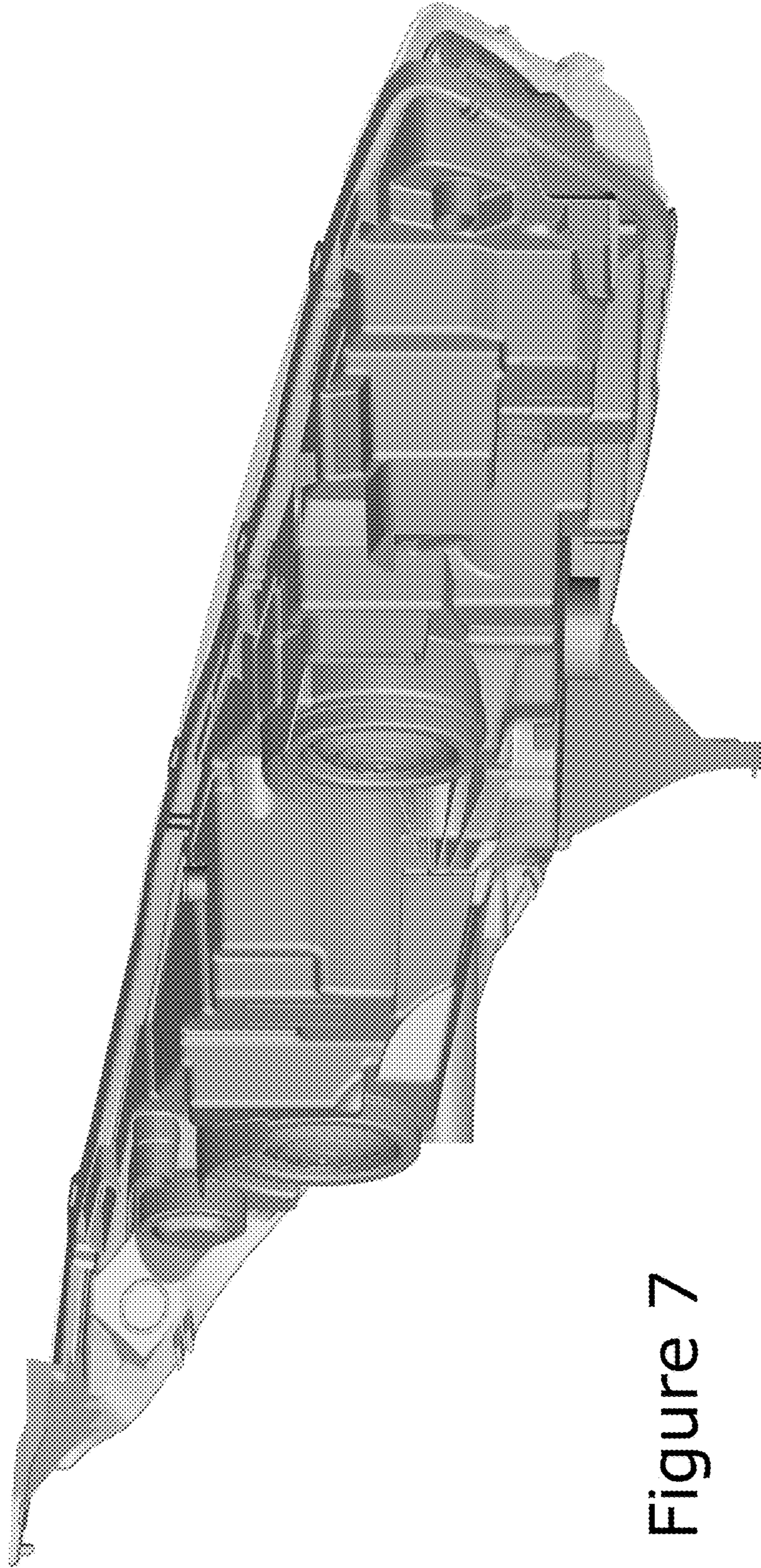


Figure 7

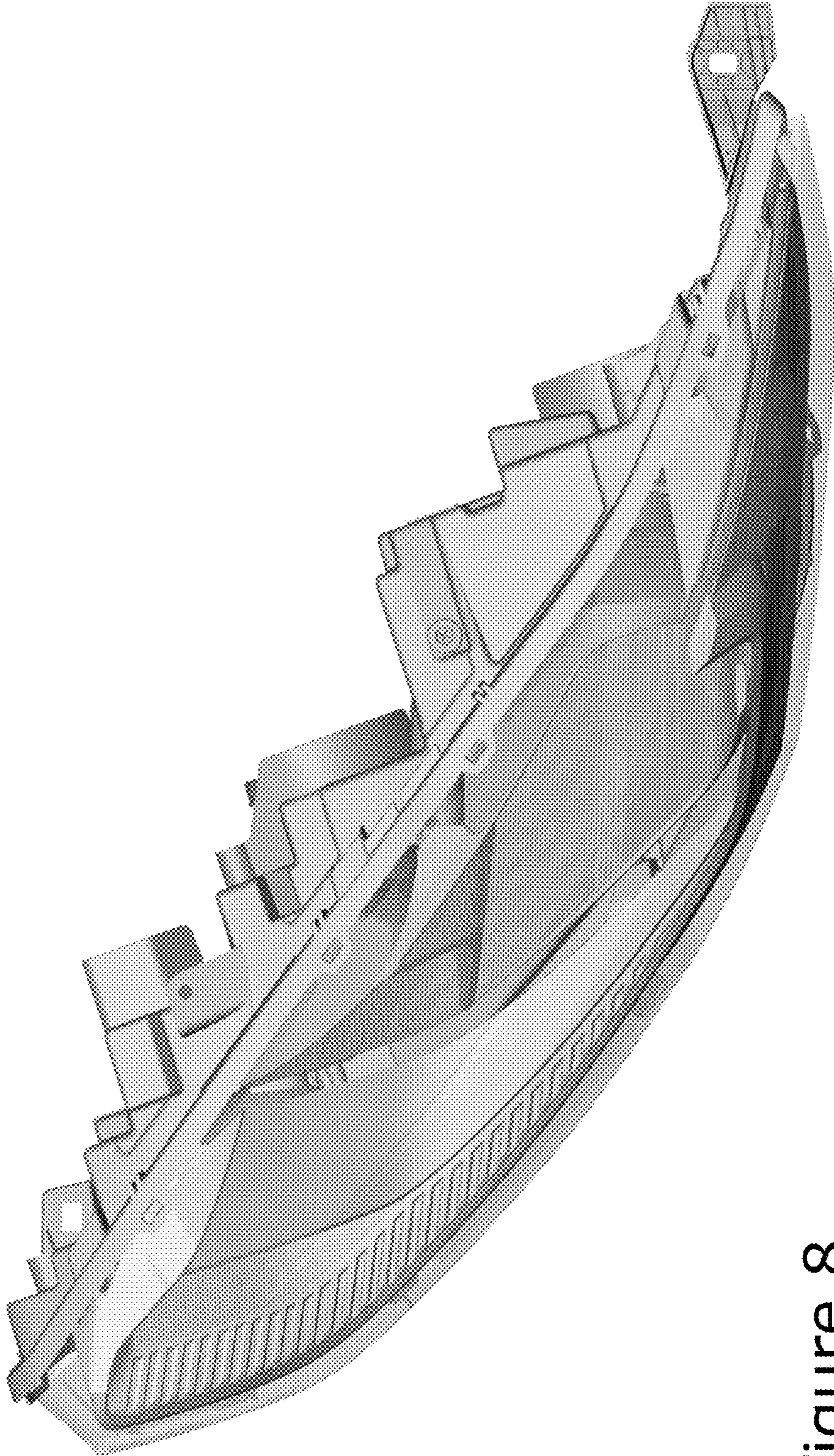


Figure 8

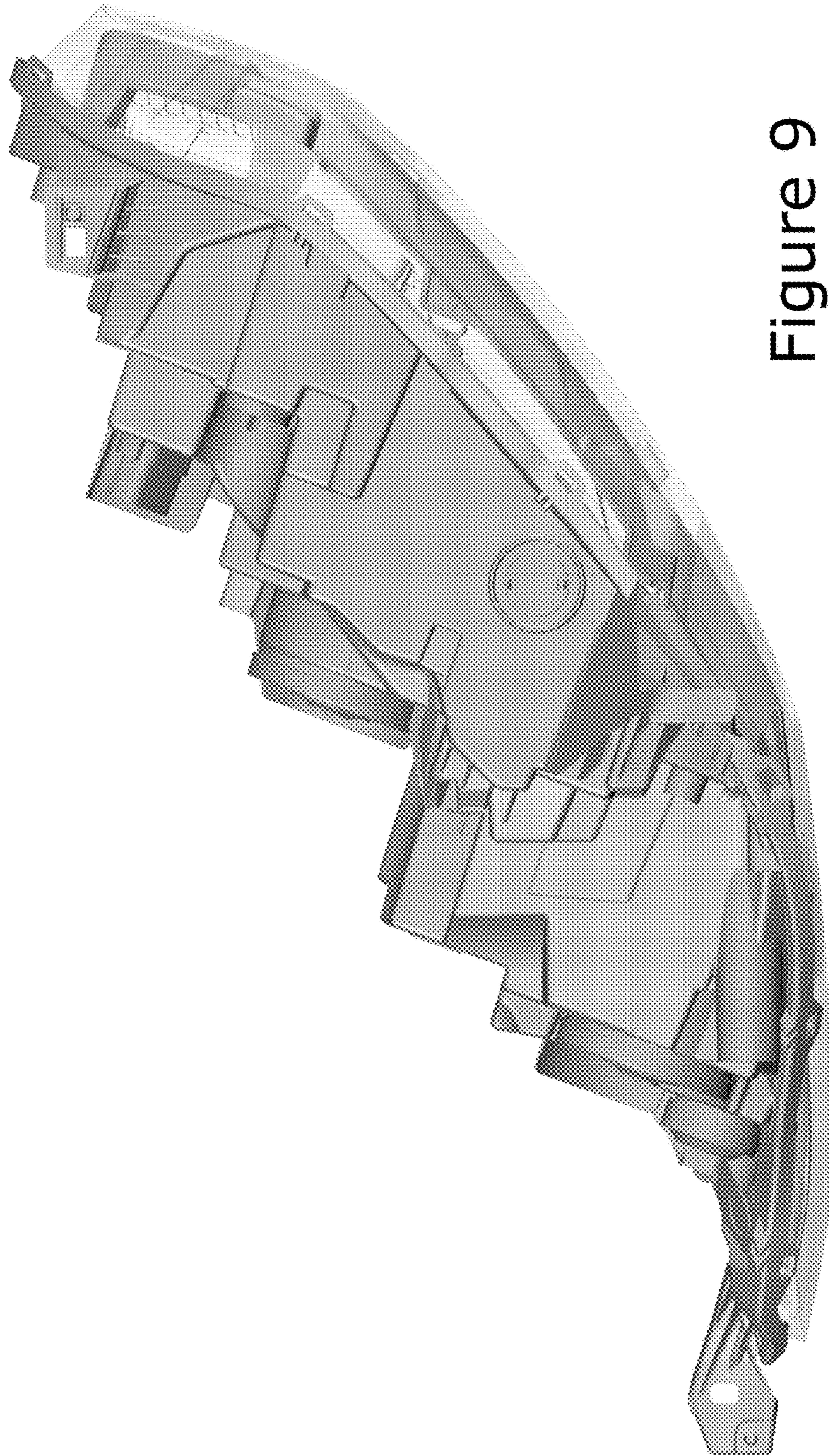


Figure 9