



US00D833039S

(12) **United States Design Patent** (10) **Patent No.:** **US D833,039 S**
Wei et al. (45) **Date of Patent:** **** Nov. 6, 2018**

(54) **LED LIGHT BULB**

(56) **References Cited**

(71) Applicant: **FOSHAN ELECTRICAL AND LIGHTING CO., LTD**, Foshan, Guangdong (CN)

U.S. PATENT DOCUMENTS

D543,288 S *	5/2007	Bembridge	D26/2
D610,272 S *	2/2010	Guo	D26/2
D633,226 S *	2/2011	Katsaros	D26/2
D634,451 S *	3/2011	de Visser	D26/2

(72) Inventors: **Bin Wei**, Guangdong (CN); **Yiguang Zhu**, Guangdong (CN); **Junjie Zhao**, Guangdong (CN); **Hengyao Cao**, Guangdong (CN)

* cited by examiner

Primary Examiner — Marcus Jackson

(73) Assignee: **FOSHAN ELECTRICAL AND LIGHTING CO., LTD**, Foshan (CN)

(57) **CLAIM**

The ornamental design for an LED light bulb, as shown and described.

(**) Term: **15 Years**

DESCRIPTION

(21) Appl. No.: **29/612,808**

FIG. 1 is a rear elevational view of a first embodiment of an LED light bulb showing our new design; FIG. 2 is a front elevational view thereof; FIG. 3 is a right side view thereof; FIG. 4 is a left side view thereof; FIG. 5 is a top plan view thereof; FIG. 6 is a bottom plan view thereof; FIG. 7 is a perspective view thereof; FIG. 8 is a front elevational view of a second embodiment of an LED light bulb; FIG. 9 is a rear elevational view of FIG. 8; FIG. 10 is a right side view of FIG. 8; FIG. 11 is a left side view of FIG. 8; FIG. 12 is a top plan view of FIG. 8; FIG. 13 is a bottom plan view of FIG. 8; and, FIG. 14 is a perspective view of FIG. 8.

(22) Filed: **Aug. 4, 2017**

(30) **Foreign Application Priority Data**

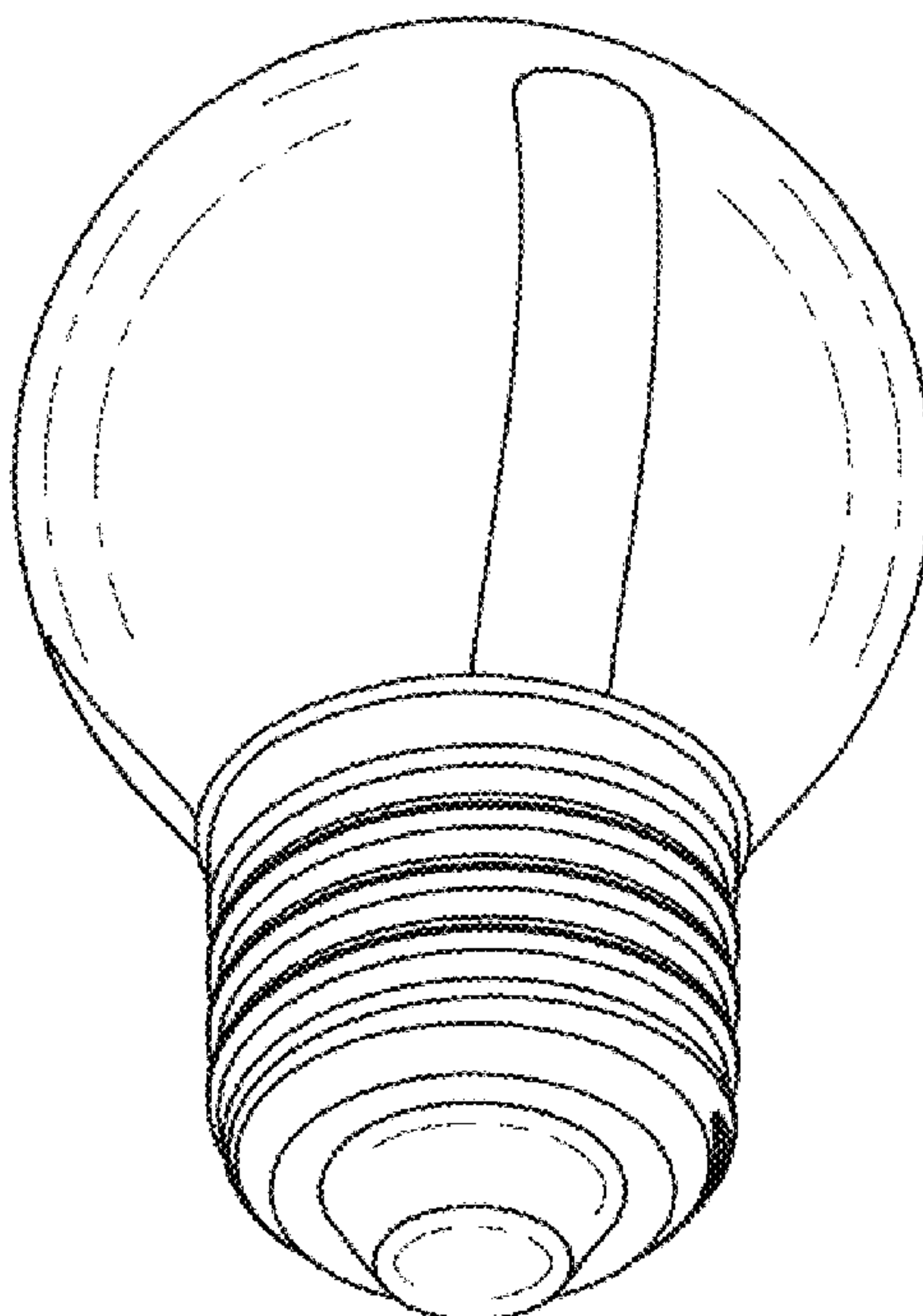
Feb. 23, 2017 (CN) 2017 3 0048112

(51) **LOC (11) Cl.** **26-04**

(52) **U.S. Cl.**
USPC **D26/2**

(58) **Field of Classification Search**
USPC D26/1-4; 313/313, 315, 316, 317, 318, 313/493; 315/52, 53, 56, 57, 58
CPC H01R 5/00; H01R 13/46; H01R 13/514; H01R 31/048; H01R 31/02; H01J 5/00; H01J 5/16; H01J 15/00; H01J 5/48; H01J 5/50; H01J 19/54; F21V 21/04
See application file for complete search history.

1 Claim, 4 Drawing Sheets



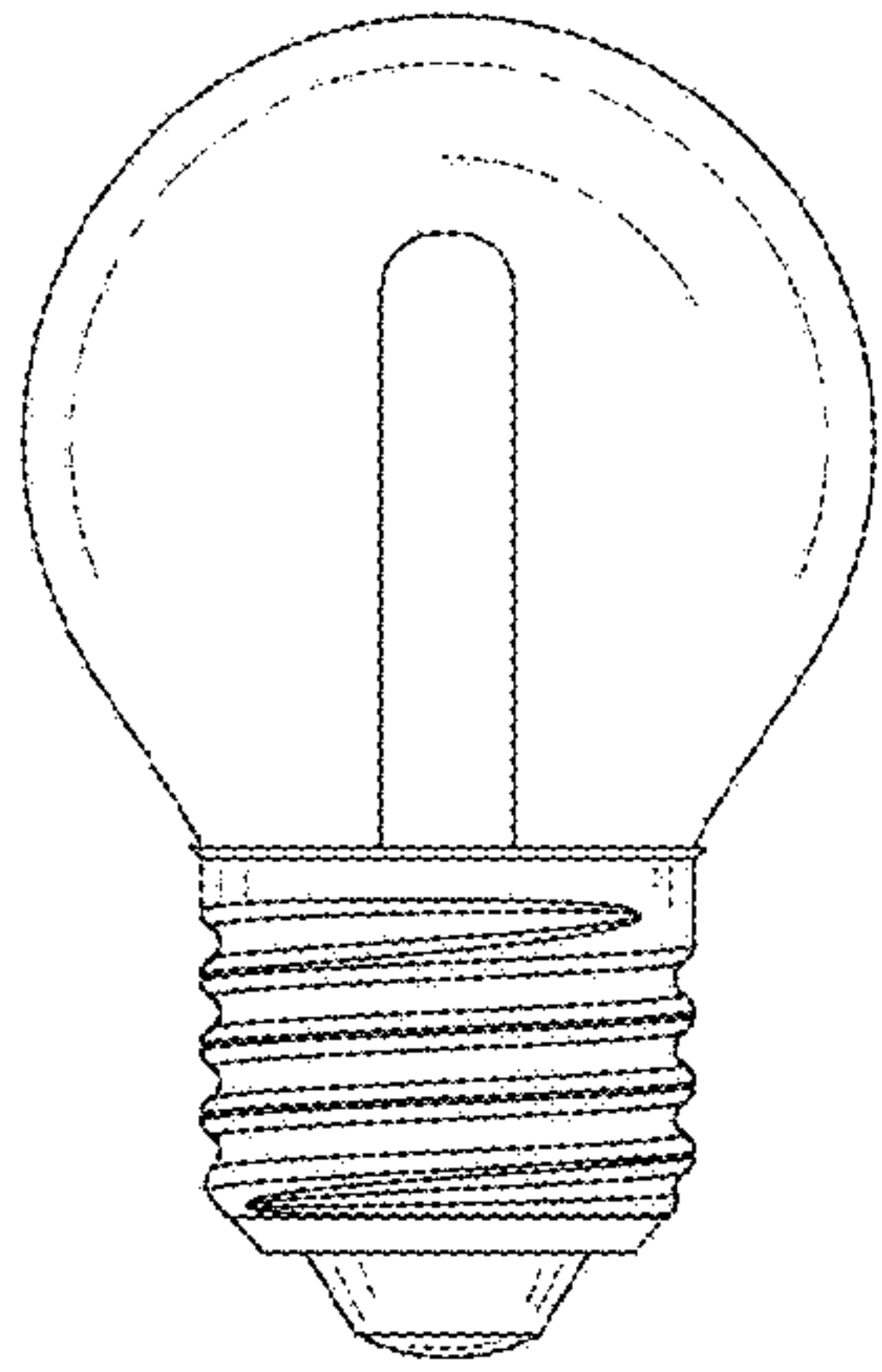


FIG.1

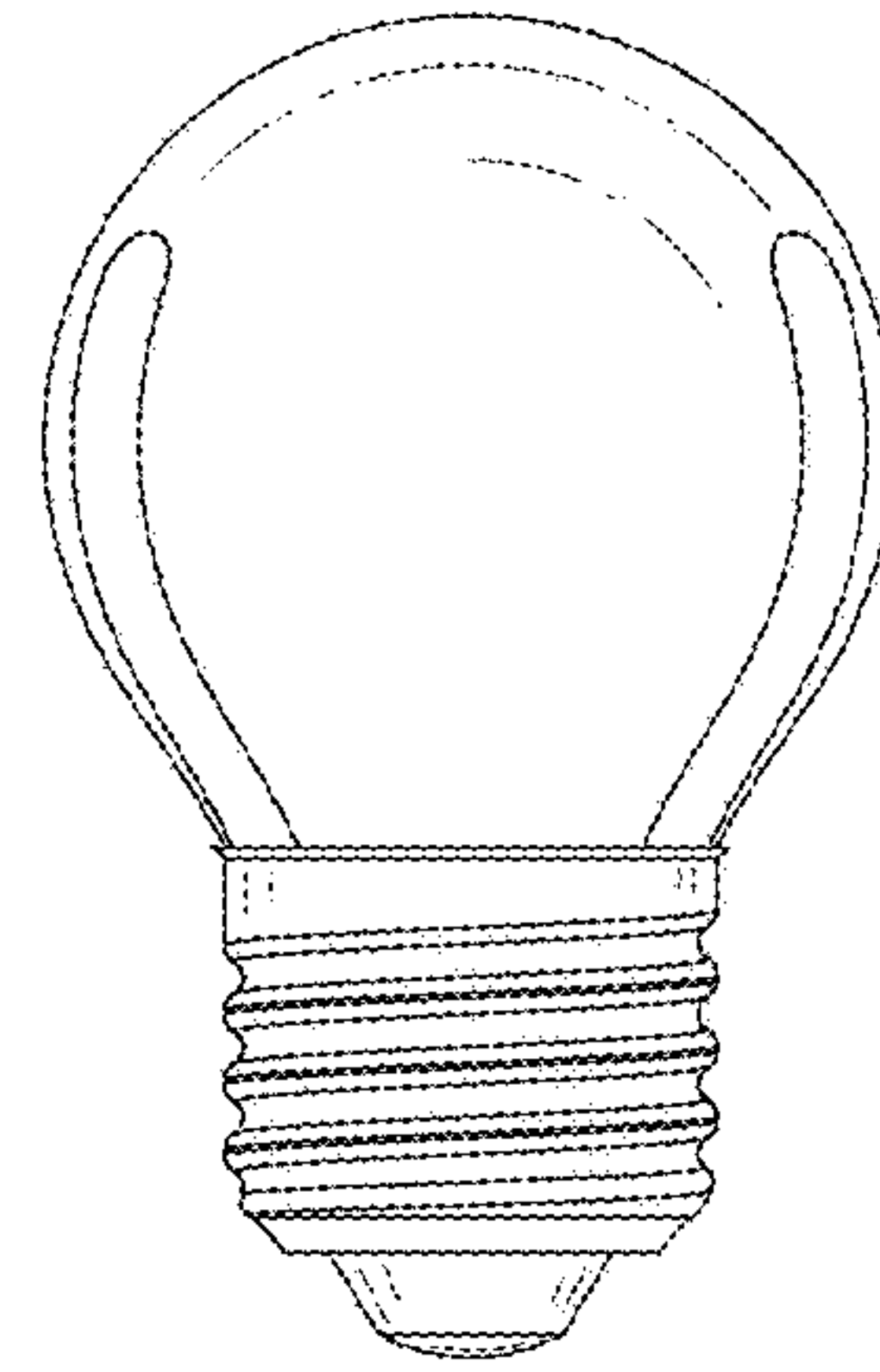


FIG.2

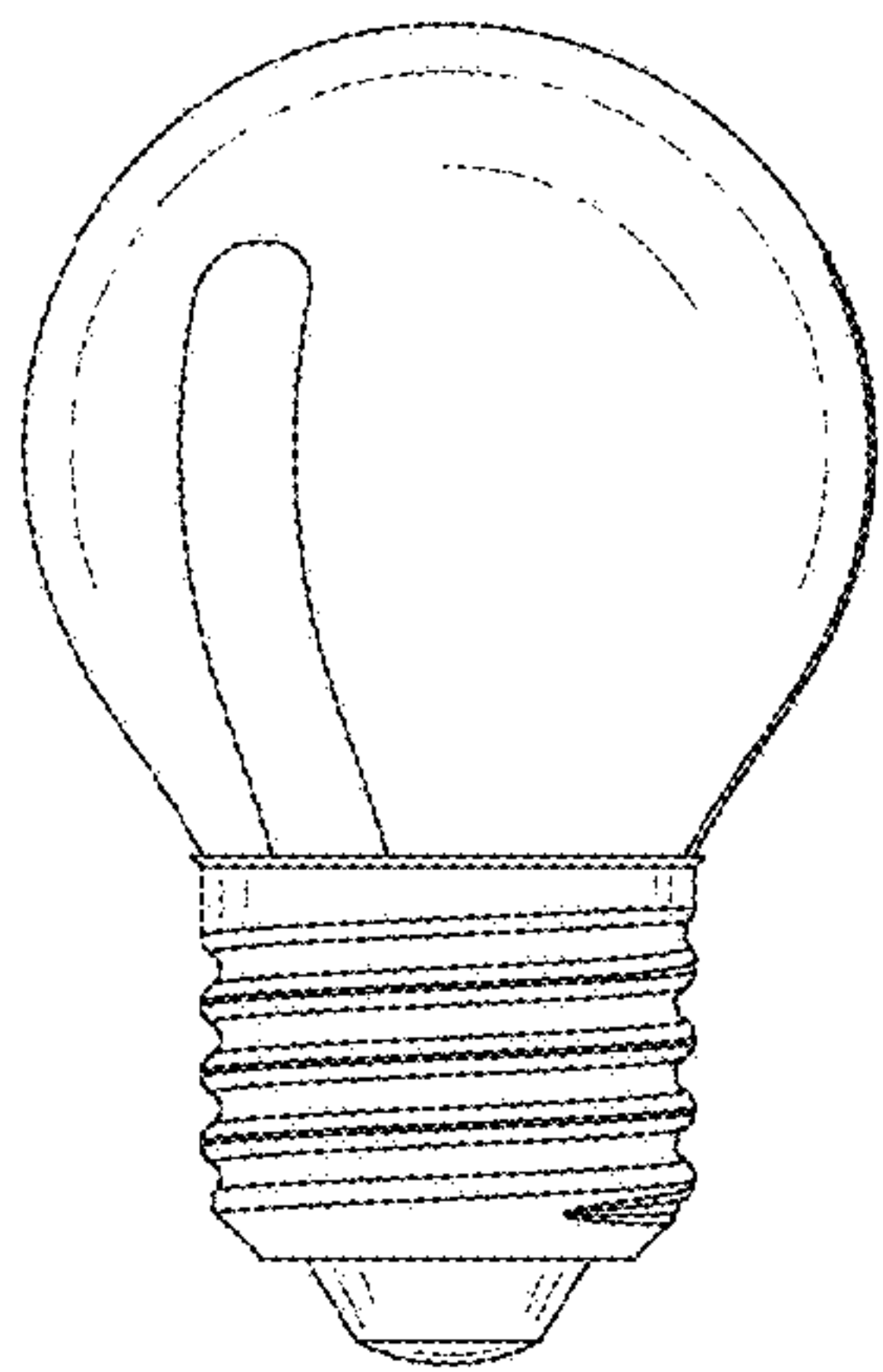


FIG.3

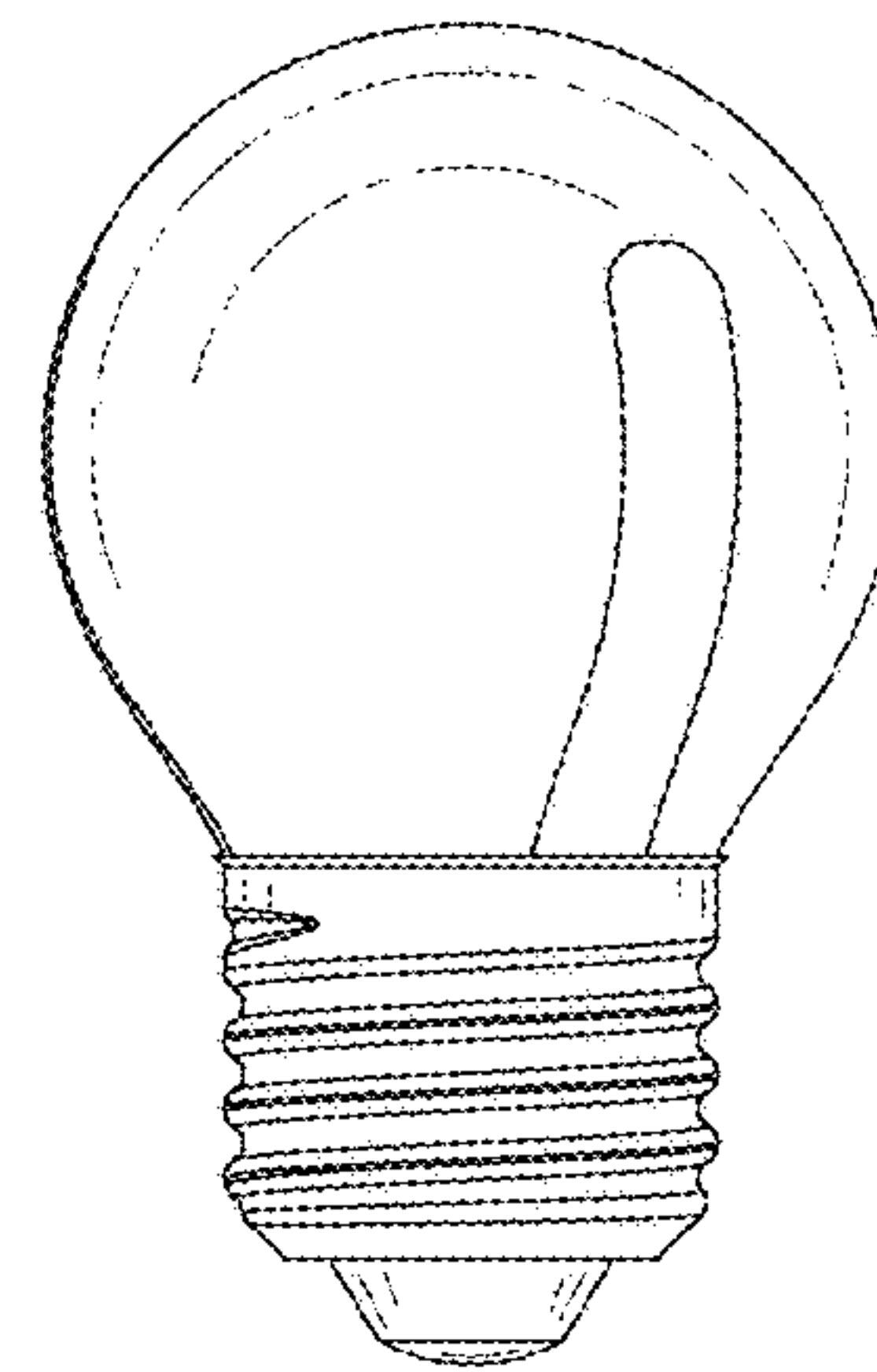


FIG.4

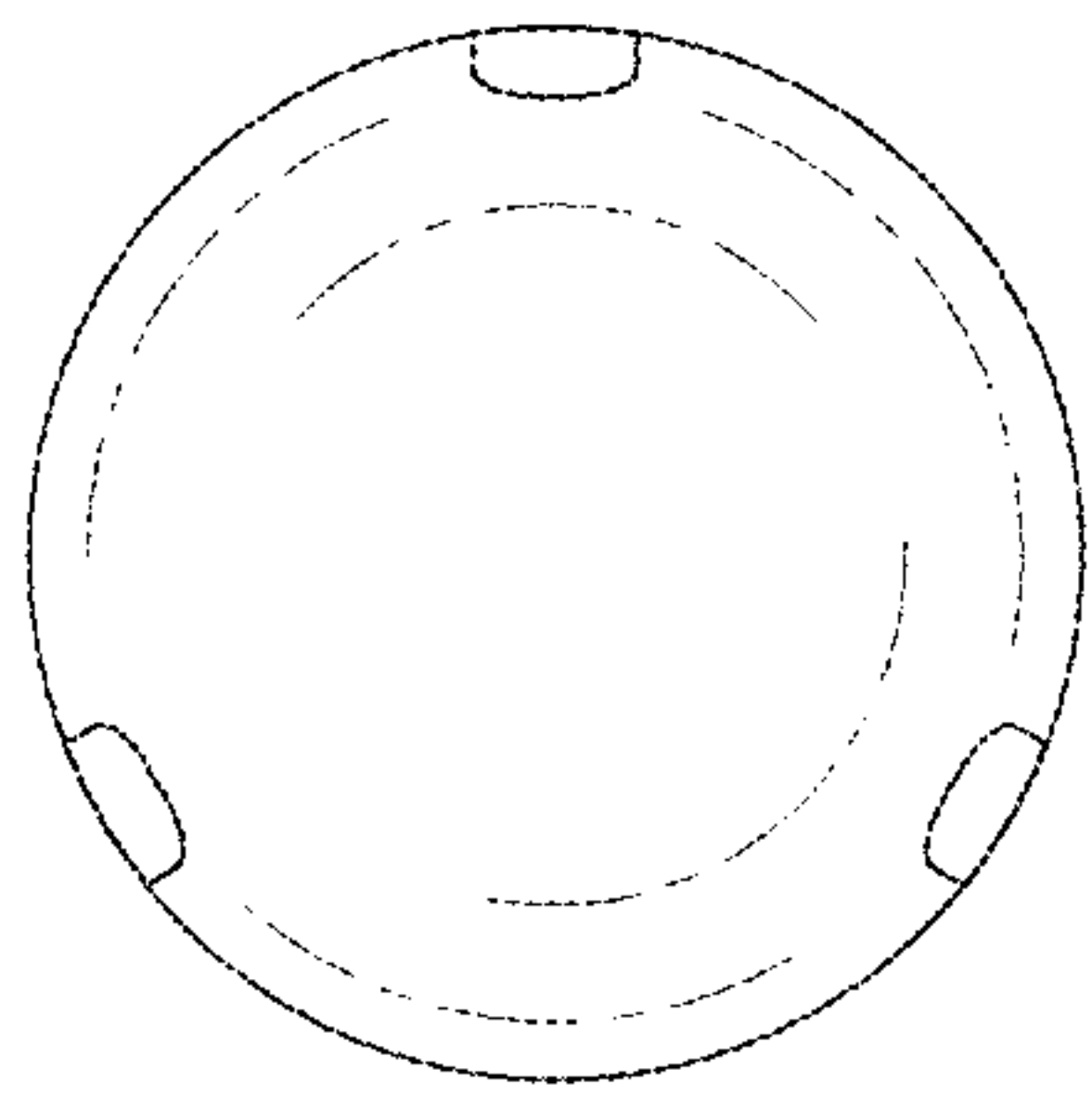


FIG. 5

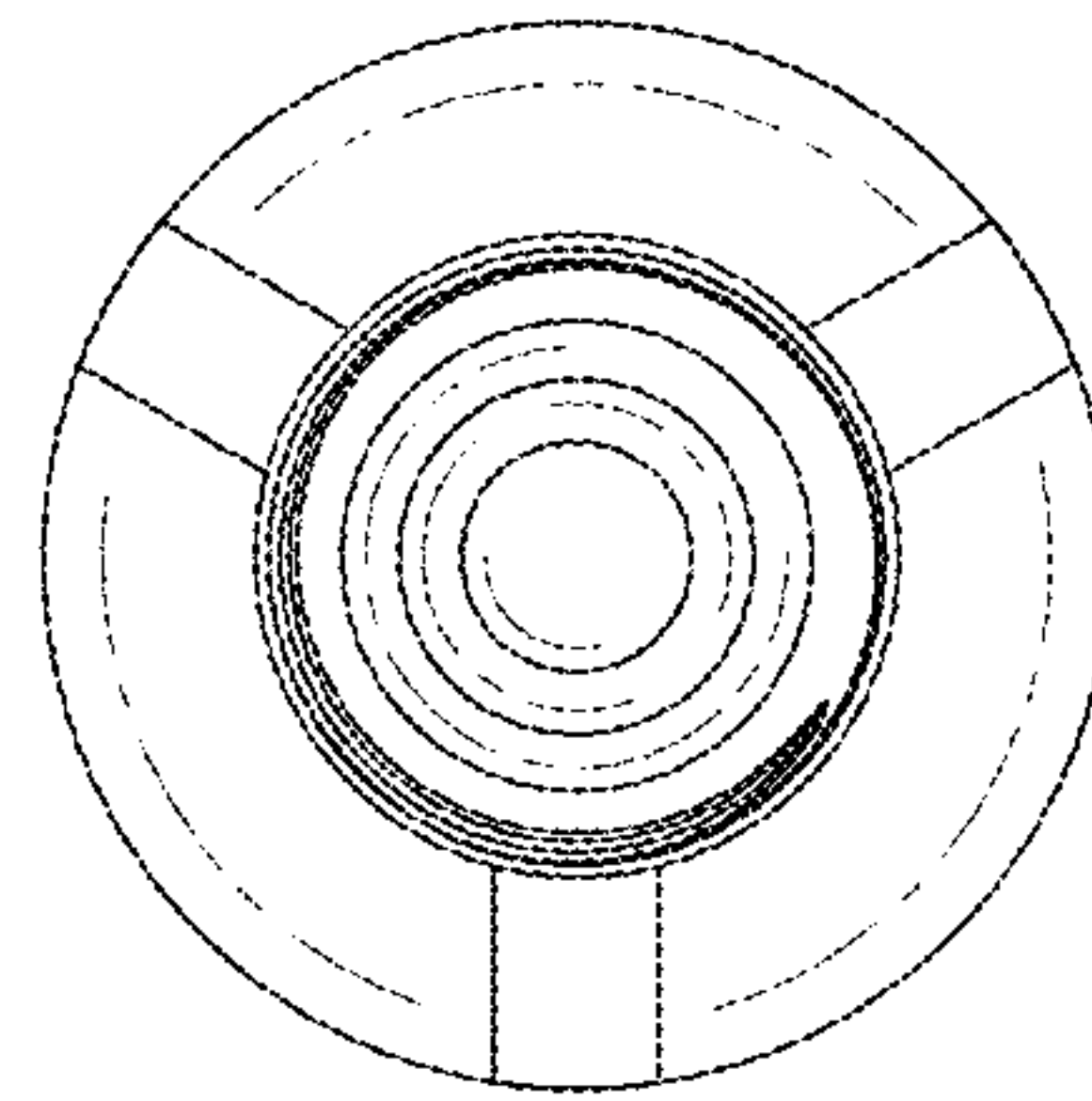


FIG. 6

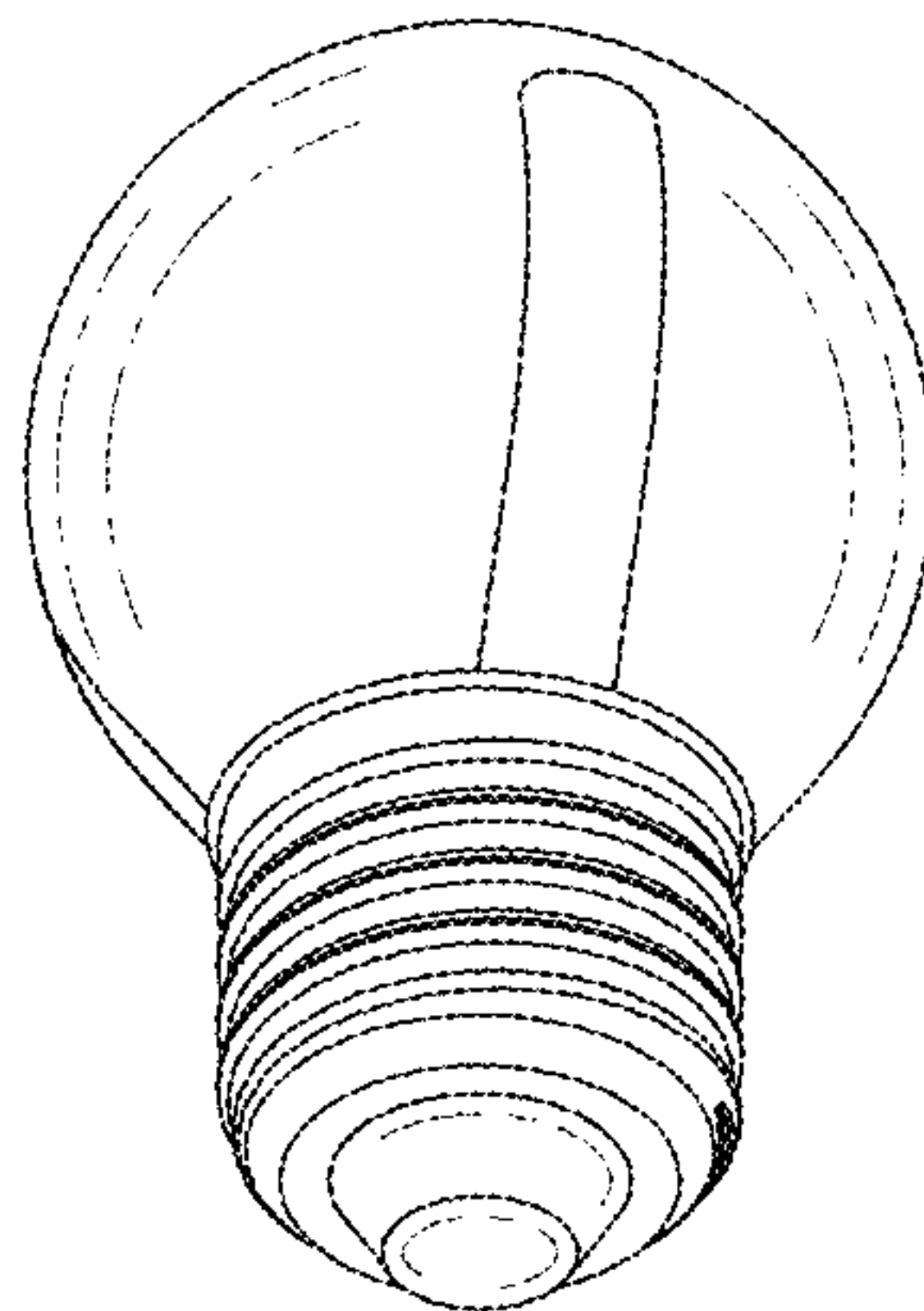


FIG. 7

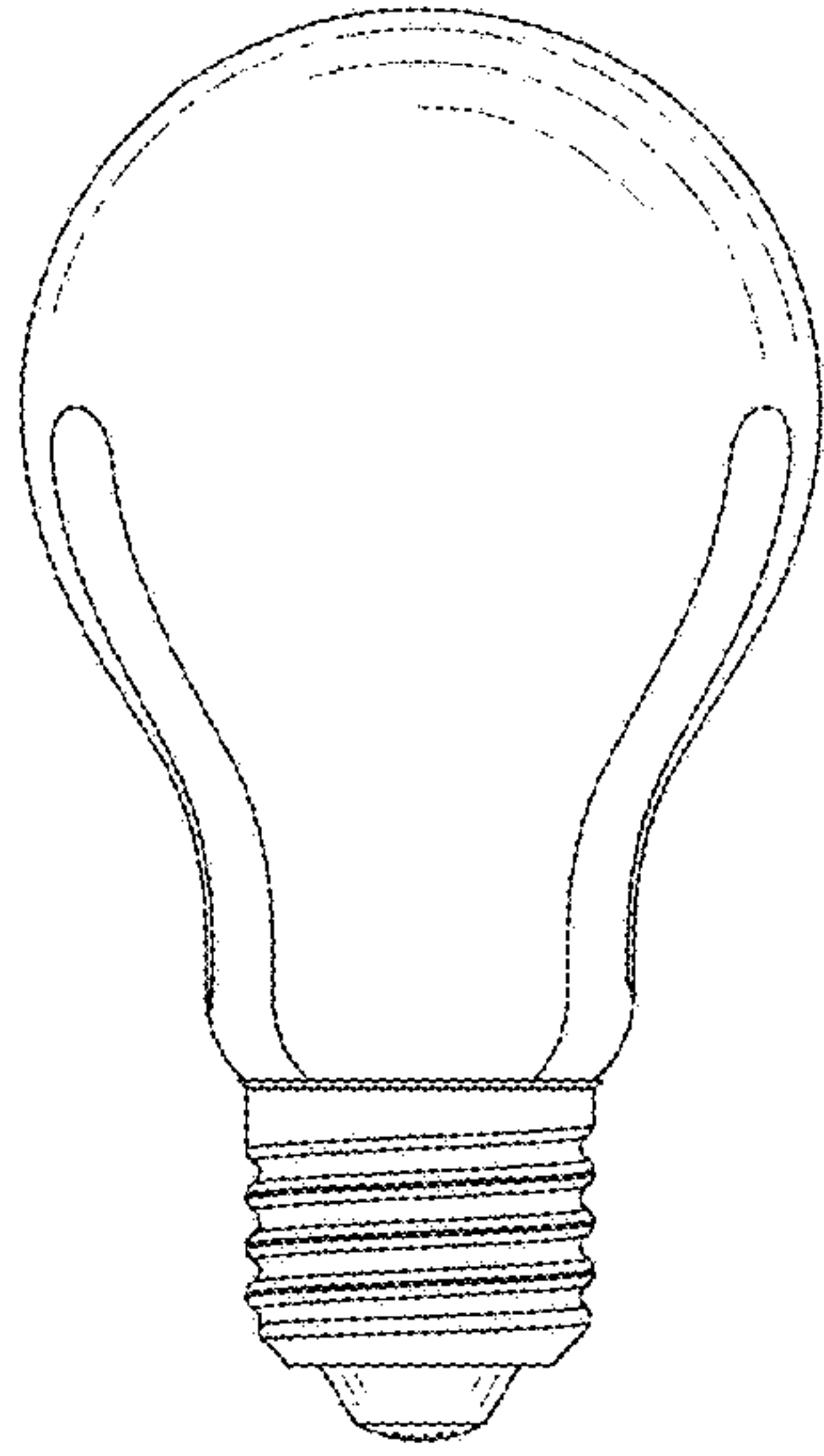


FIG. 8

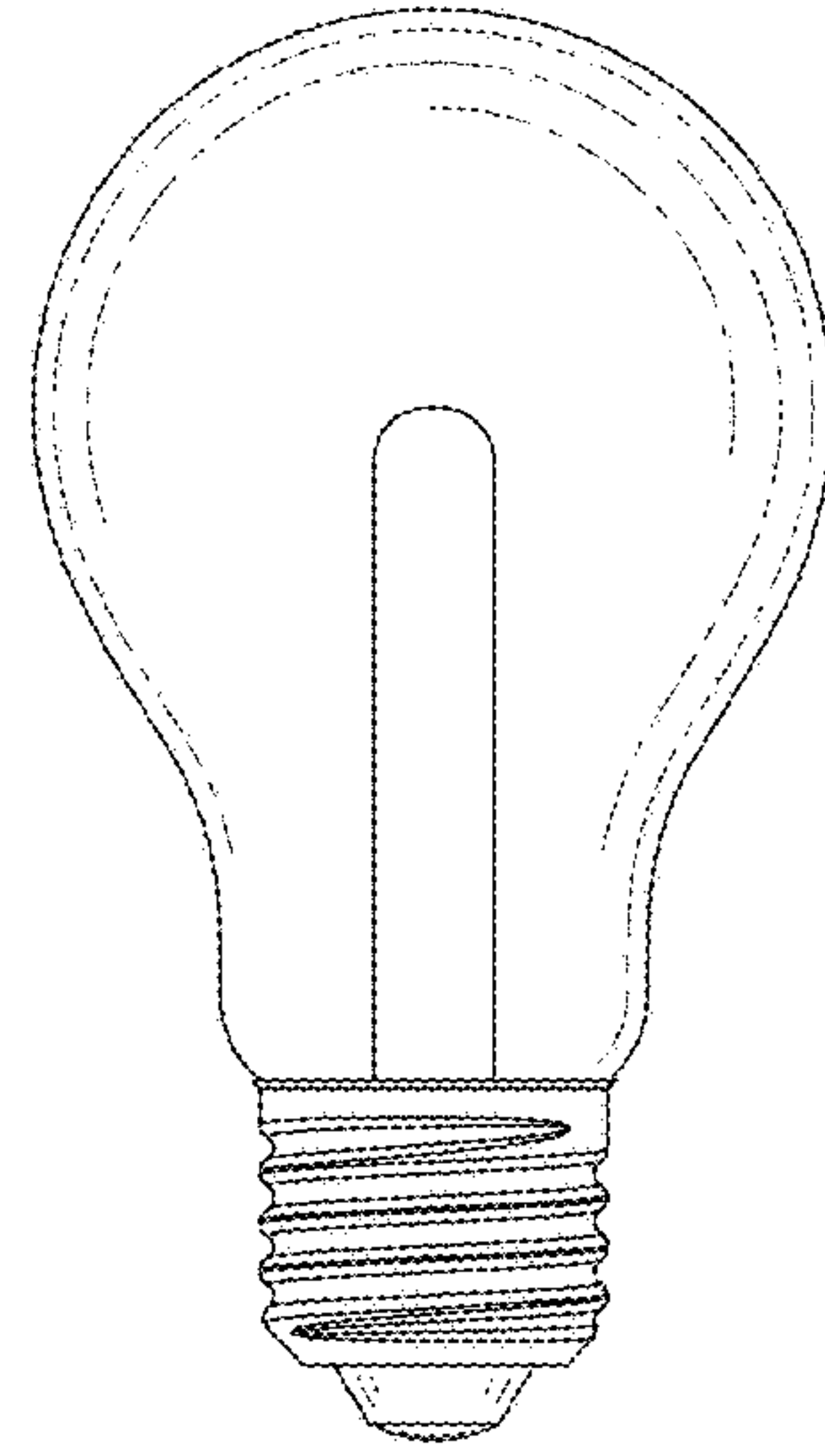


FIG. 9

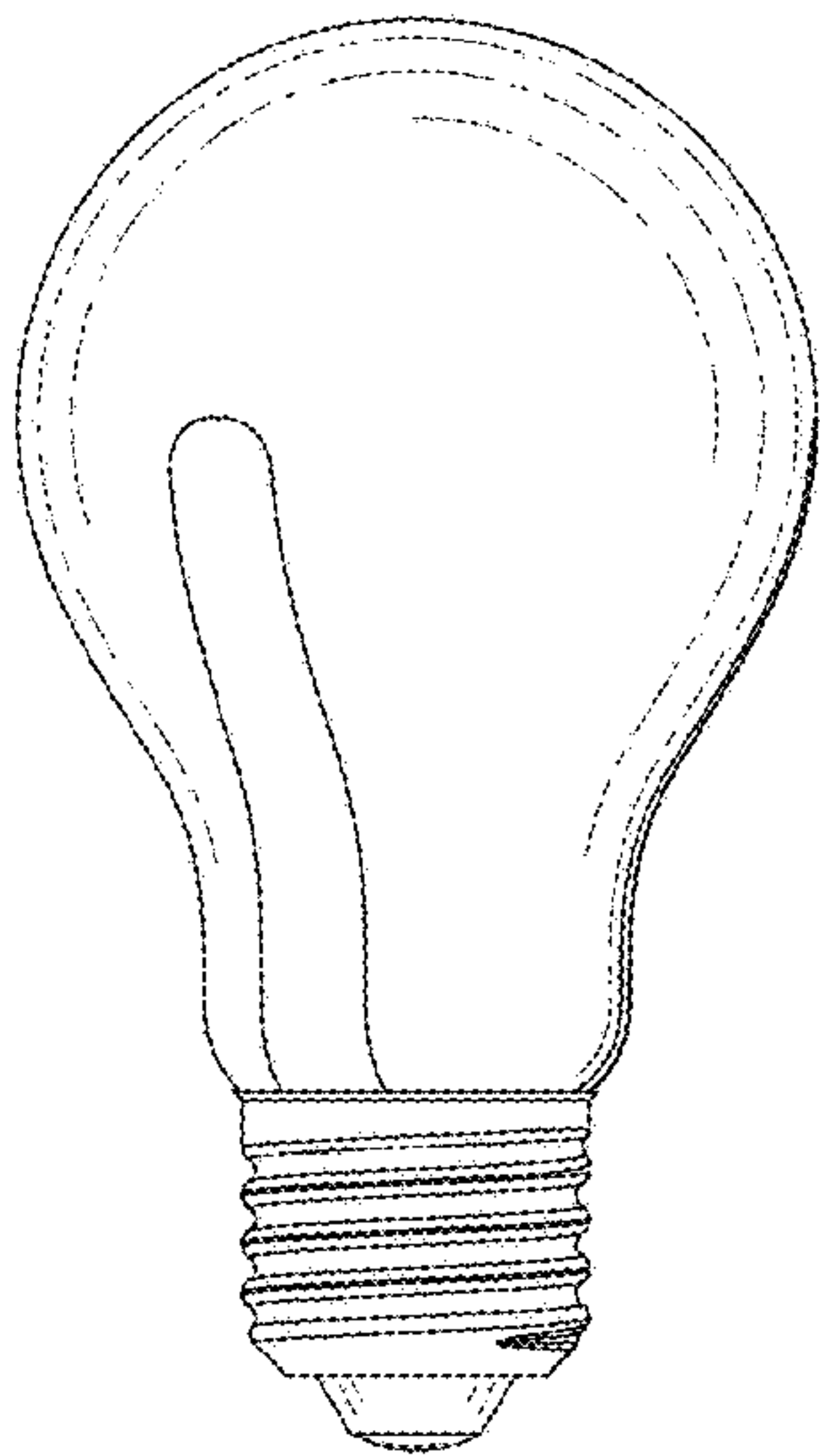


FIG. 10

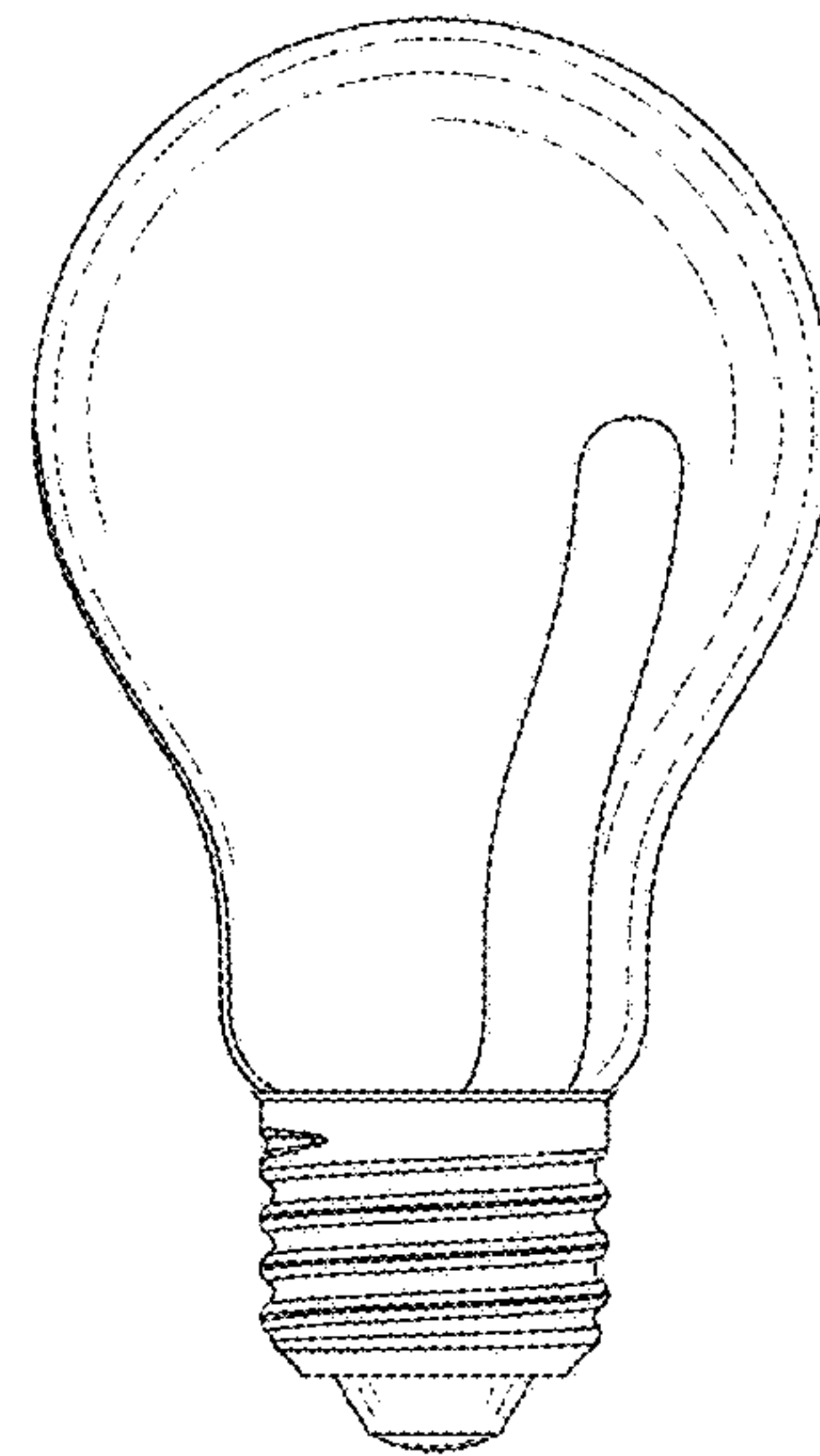


FIG. 11

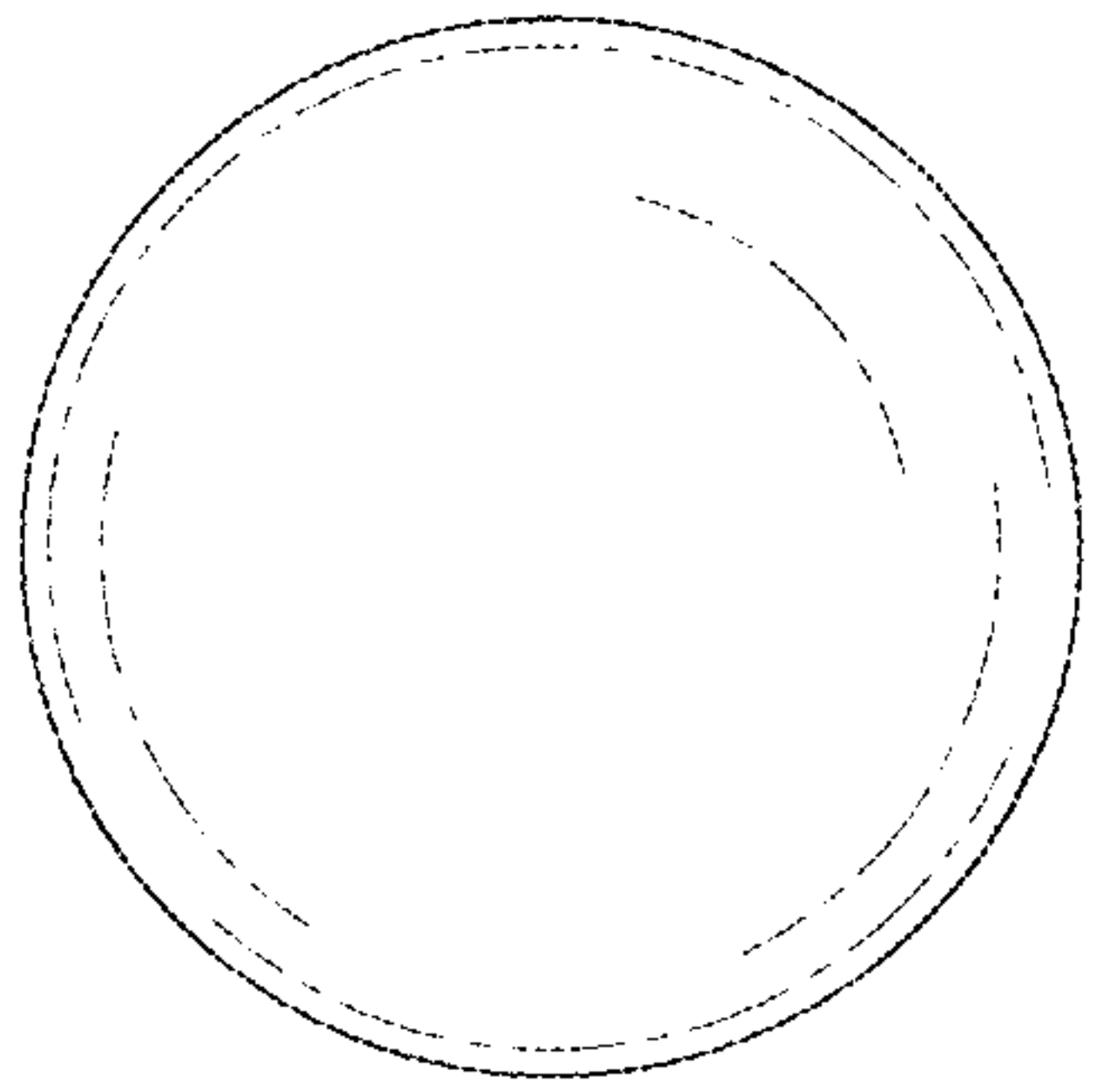


FIG.12

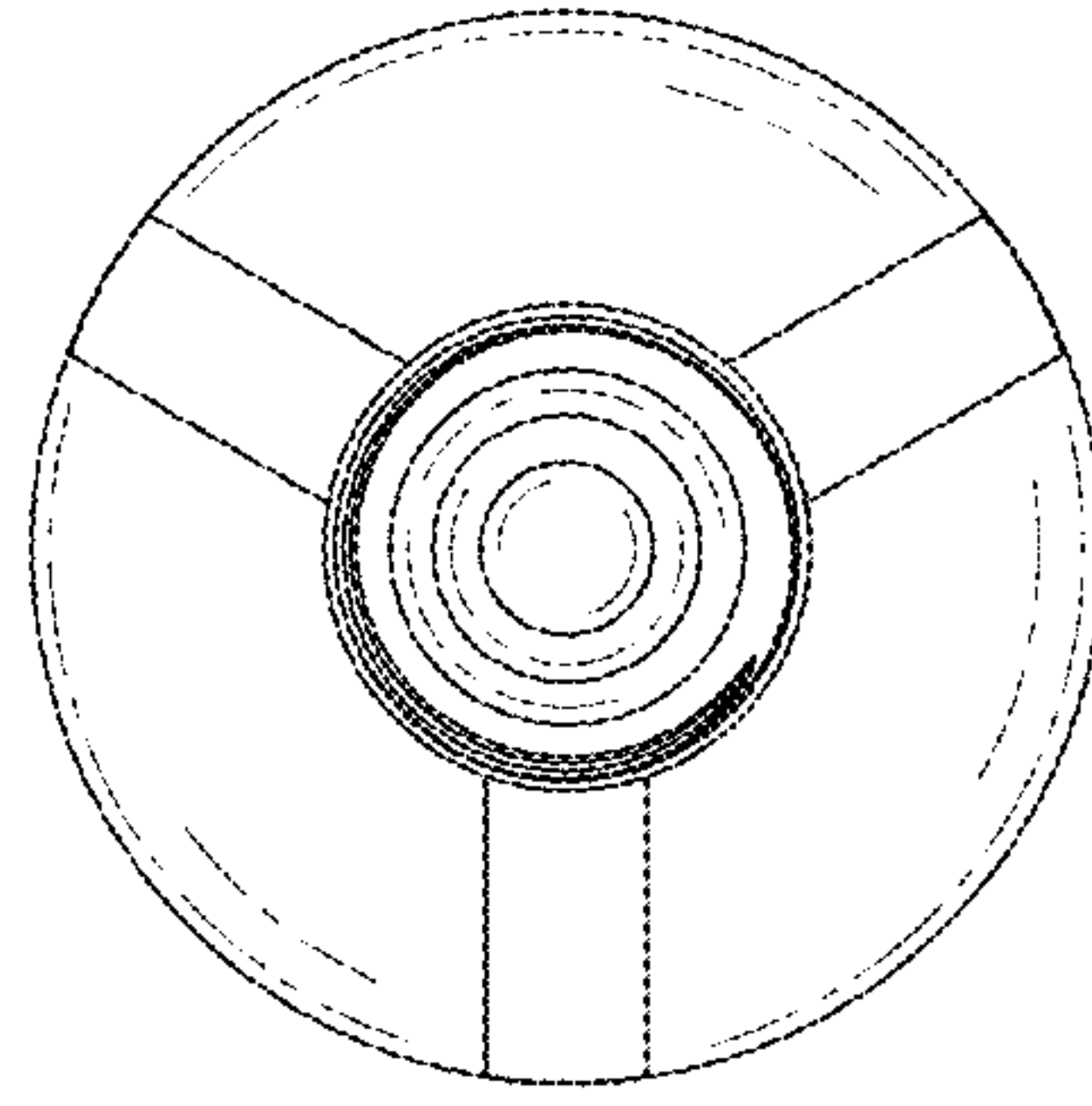


FIG.13

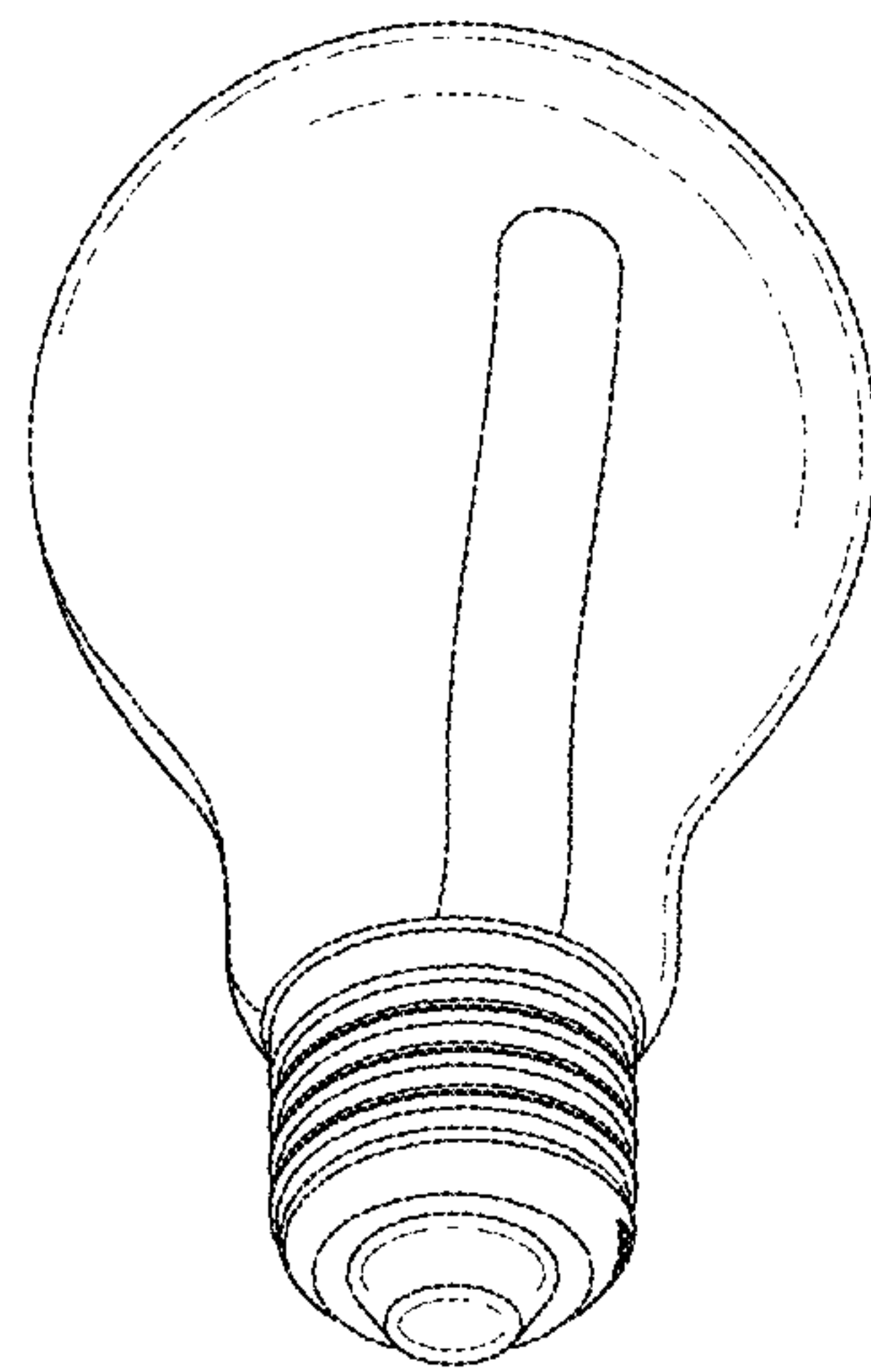


FIG.14