



US00D833037S

(12) **United States Design Patent** (10) **Patent No.:** **US D833,037 S**
Boado (45) **Date of Patent:** **** Nov. 6, 2018**

(54) **PLANK SUPPORT**
(71) Applicant: **BRAND SERVICES, LLC**, Kennesaw, GA (US)

D754,880 S * 4/2016 Reusing D25/133
D767,976 S * 10/2016 Marocco D8/363
D794,421 S * 8/2017 Moon D8/349
(Continued)

(72) Inventor: **Manuel Boado**, Bolton (CA)
(73) Assignee: **BRAND SHARED SERVICES LLC**, Kennesaw, GA (US)

OTHER PUBLICATIONS

Lusterful Plank Support <http://en.lusterful.net/products_detail1/productId=328.html> Date Unavailable.*

(**) Term: **15 Years**

Primary Examiner — Cathron C Brooks

(21) Appl. No.: **29/601,282**

Assistant Examiner — Samantha Q. Lawrence

(22) Filed: **Apr. 20, 2017**

(74) *Attorney, Agent, or Firm* — Todd S. Parkhurst; Greensfelder Hemker & Gale PC

(51) **LOC (11) Cl.** **25-01**

(57) **CLAIM**

(52) **U.S. Cl.**
USPC **D25/133**

The ornamental designs for plank support, as shown and described.

(58) **Field of Classification Search**

DESCRIPTION

USPC D25/38.1, 46, 48, 35, 11, 126, 127, 128, 129, 130, 131, 132, 133, 134, 135; 256/63, 64, 65.01, 65.03, 65.05, 65.06, 256/65.14; D8/315, 349, 351, 352, 353, 354, 355, 356, 363; 405/202, 204, 224, 231, 244, 229, 272, 302.4
CPC E04H 12/2261; E04H 12/2269; E04H 17/1421; E04H 17/22; E04H 17/16; E01F 9/692; E04C 3/32; E04F 11/1865; E04G 1/38; E04G 2005/148; E04G 21/3219; E04G 21/3223; Y10S 256/06

See application file for complete search history.

FIG. 1 is a perspective view of plank support, illustrating an embodiment of design;
FIG. 2 is a front view thereof;
FIG. 3 is a back view thereof;
FIG. 4 is a top view thereof;
FIG. 5 is a bottom view thereof;
FIG. 6 is a right view thereof; and
FIG. 7 is a left view thereof.
FIG. 8 is a perspective view of a plank support, illustrating a second embodiment of design;
FIG. 9 is a front view thereof;
FIG. 10 is a back view thereof;
FIG. 11 is a top view thereof;
FIG. 12 is bottom view thereof;
FIG. 13 is a right view thereof; and,
FIG. 14 is a left view thereof.

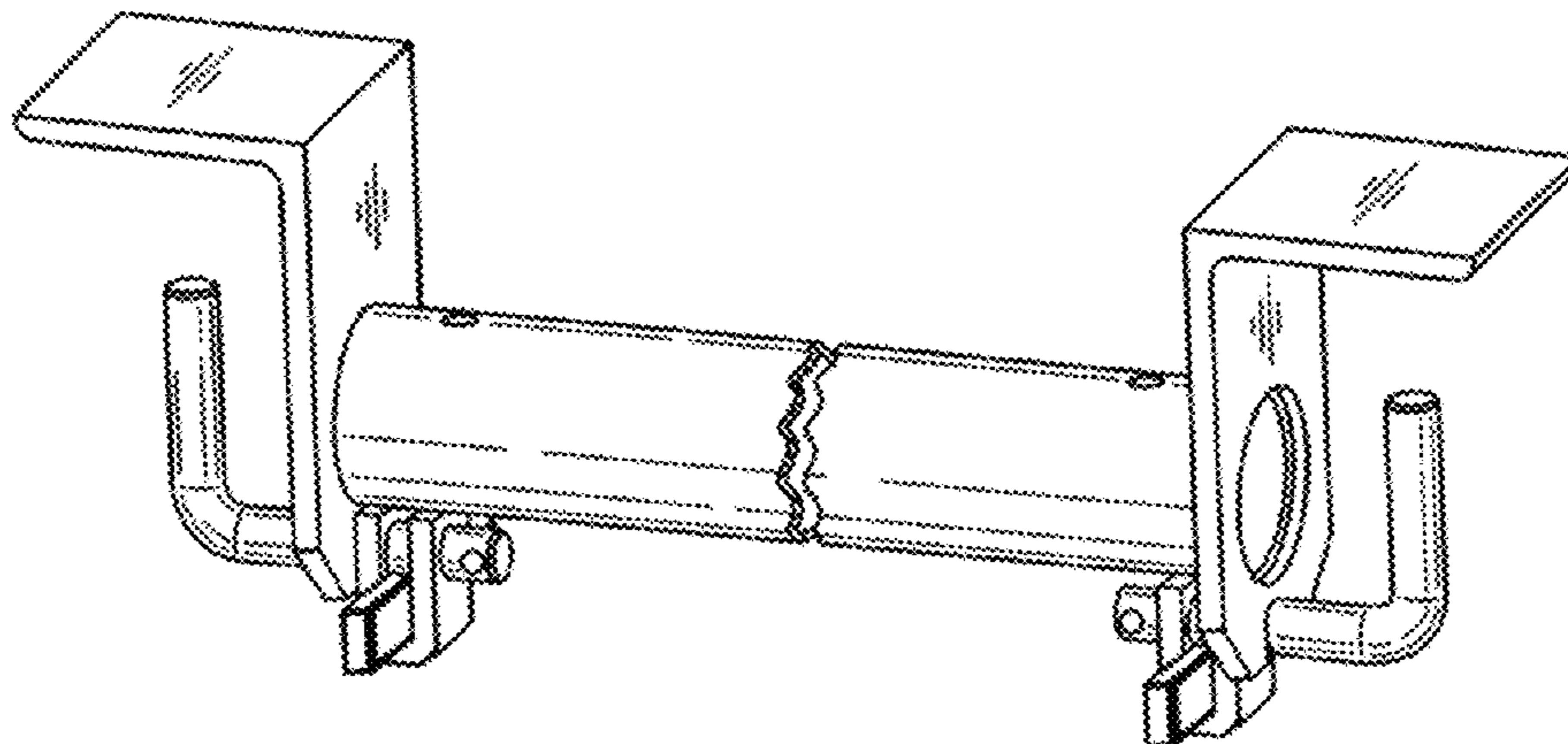
The plank support is shown with a symbolic break in length. The appearance of any portion of the article between the break lines forms no part of the claimed design.

(56) **References Cited**

U.S. PATENT DOCUMENTS

4,050,695 A * 9/1977 Camilleri A63D 5/00 473/64
D495,434 S * 8/2004 Cooper D25/133
D567,637 S * 4/2008 Moore D8/363
8,931,219 B2 * 1/2015 Benet E02D 27/32 52/126.1
9,151,074 B2 * 10/2015 Walters E04H 17/1421
D744,321 S * 12/2015 Boynton D8/363

1 Claim, 6 Drawing Sheets



(56)

References Cited

U.S. PATENT DOCUMENTS

D810,965 S *	2/2018	Whiteley	D25/133
D819,232 S *	5/2018	Santjer	D25/133
2016/0177928 A1*	6/2016	Gaigler	F16L 1/23 405/170

* cited by examiner

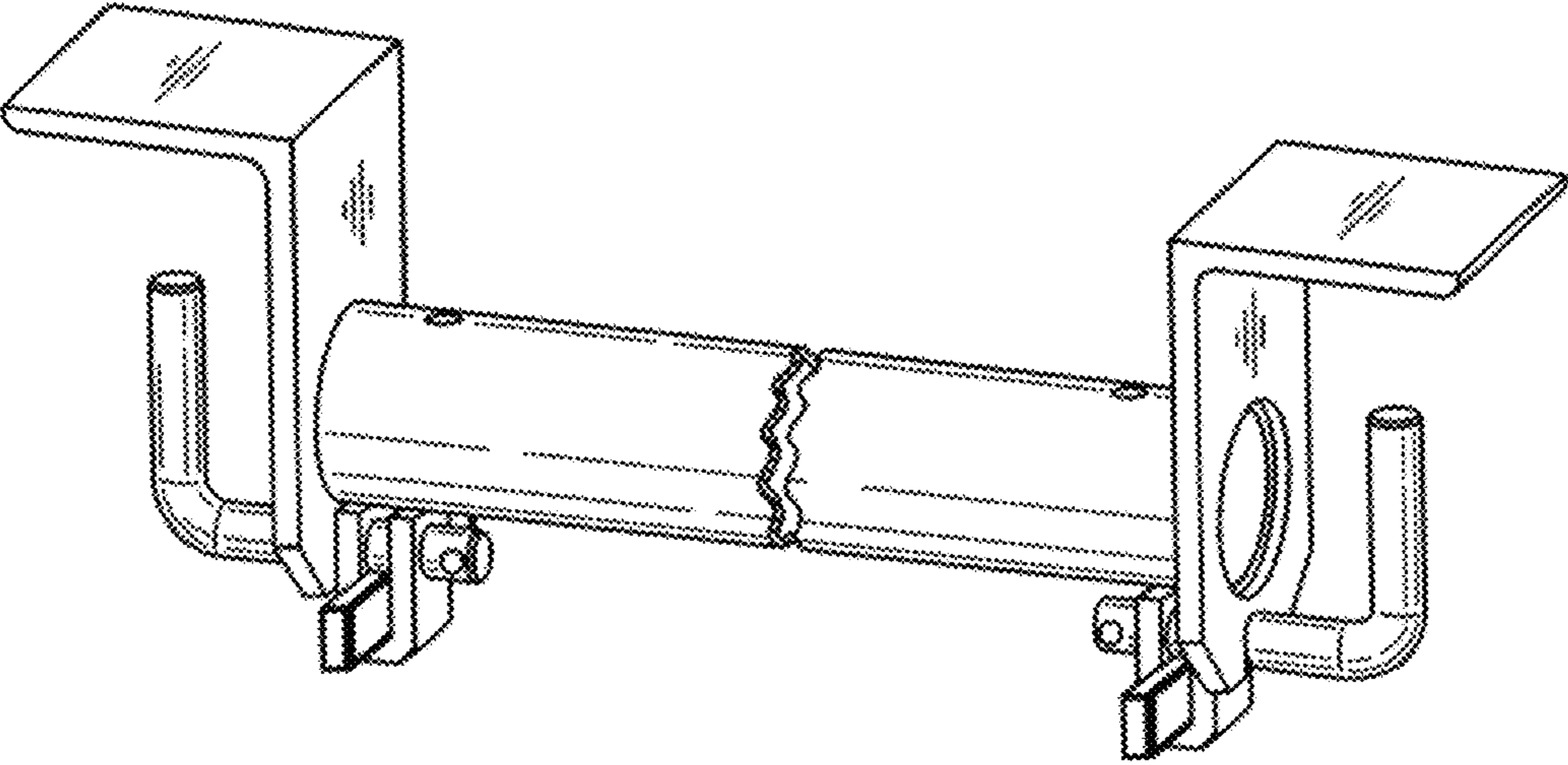


FIG. 1

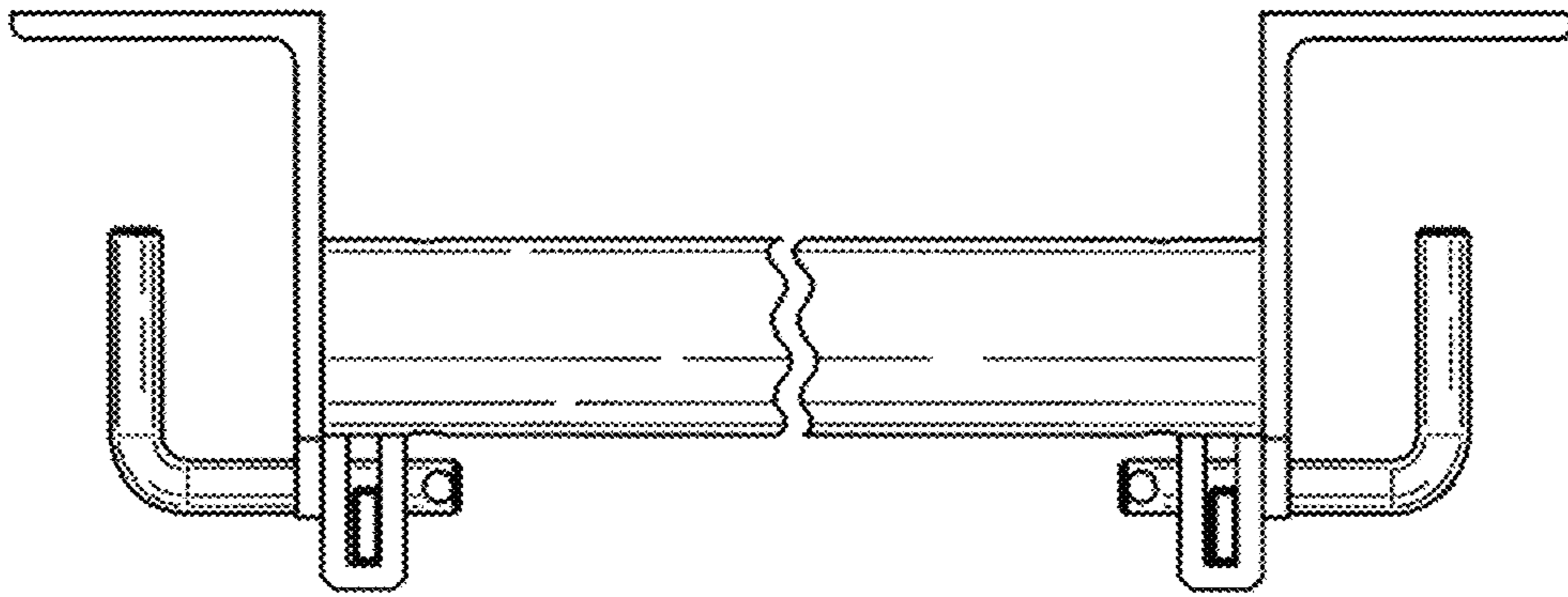


FIG. 2

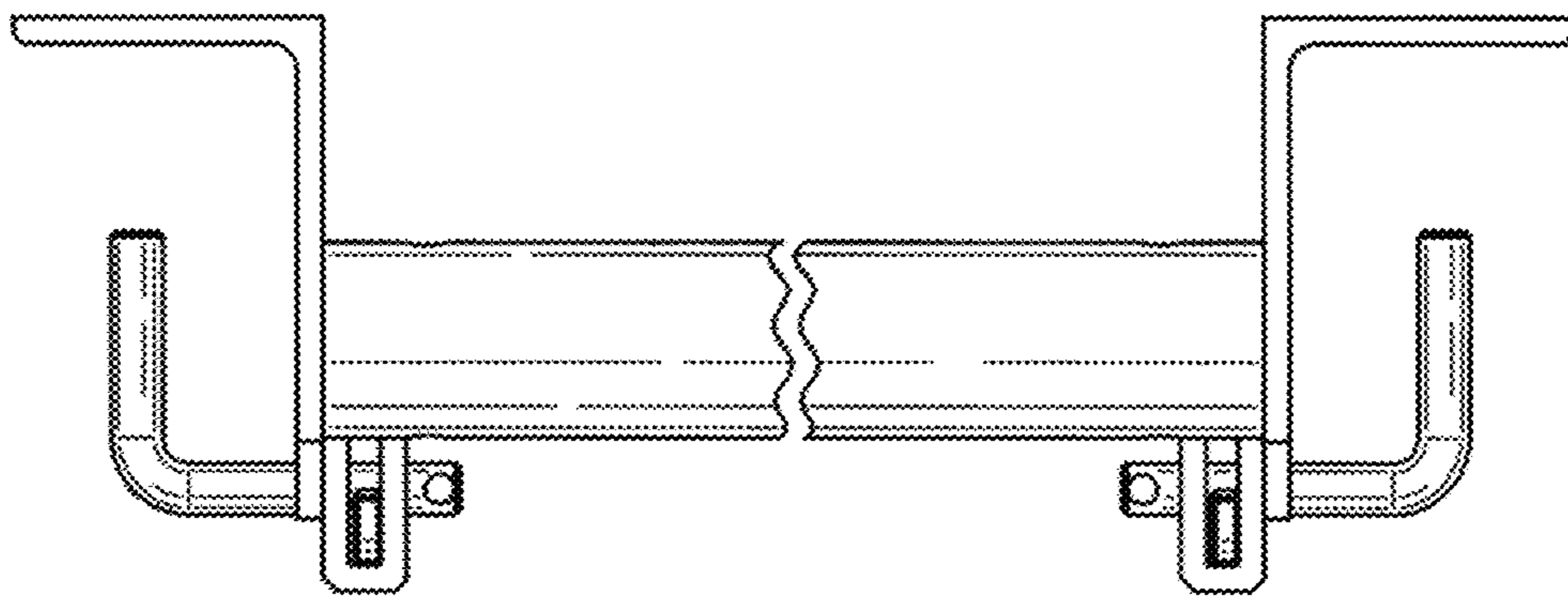


FIG. 3

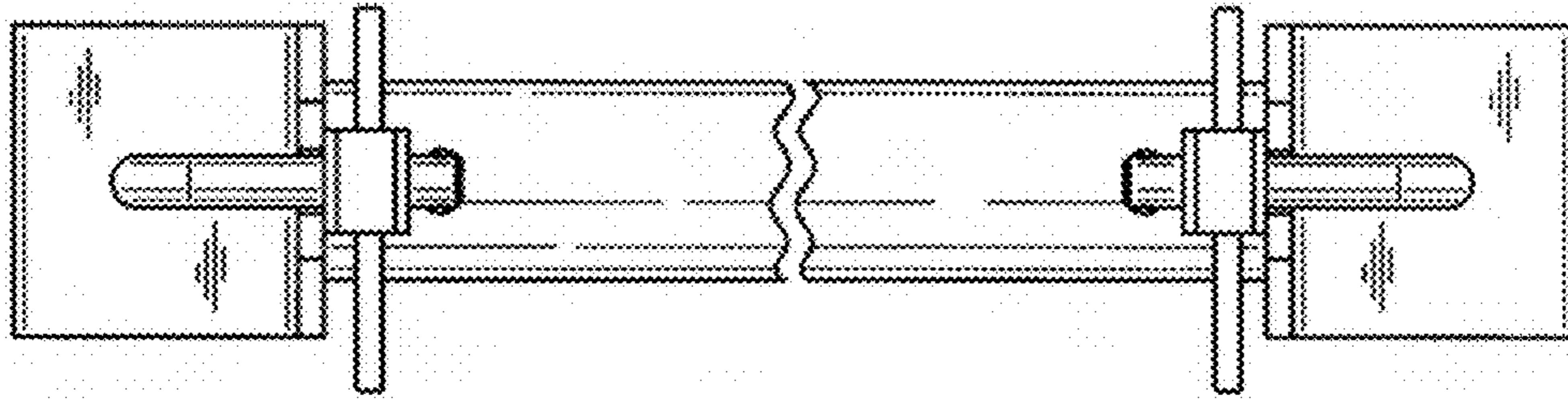


FIG. 4

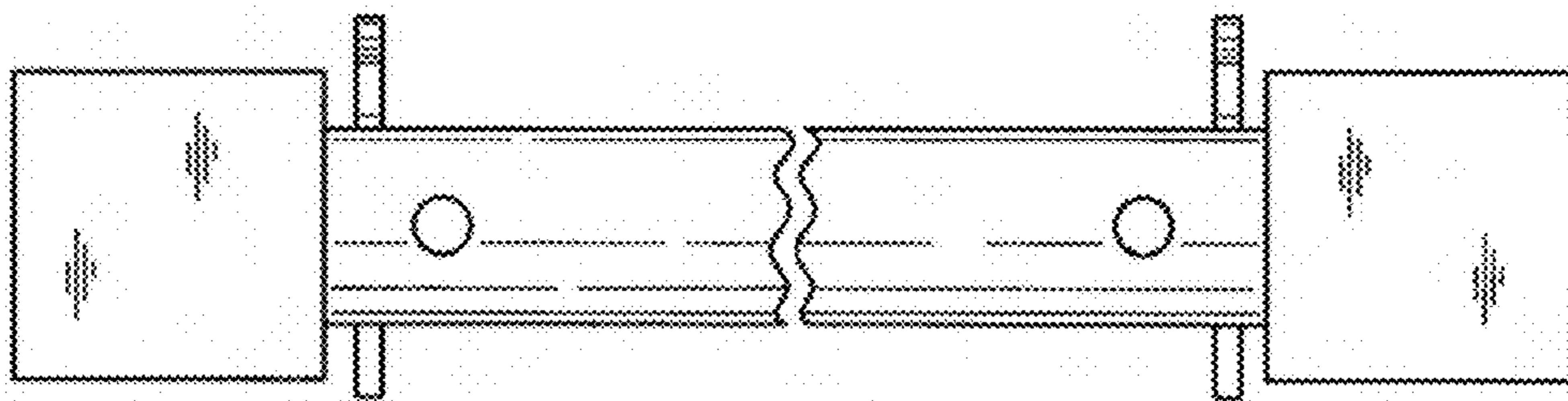


FIG. 5

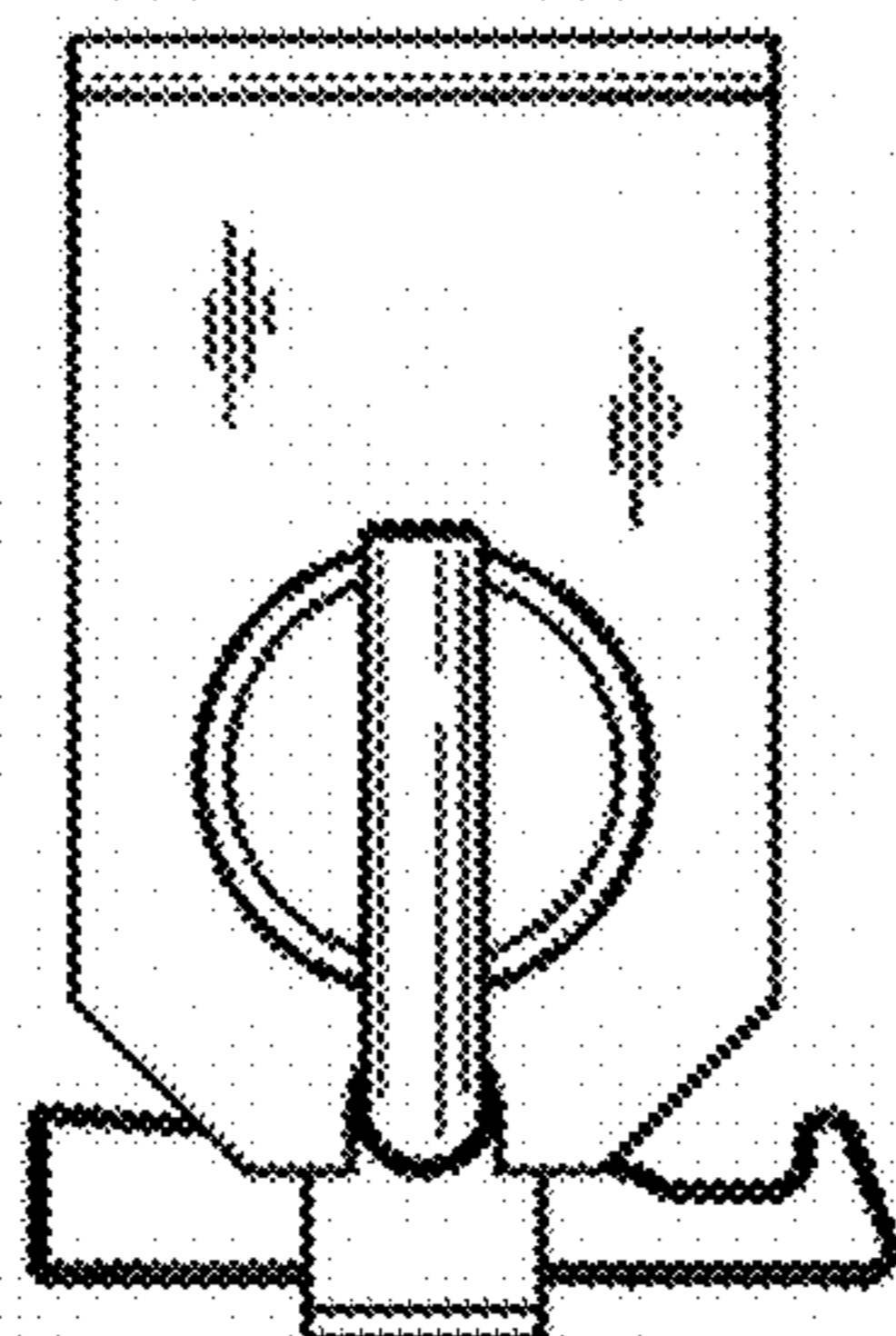


FIG. 6

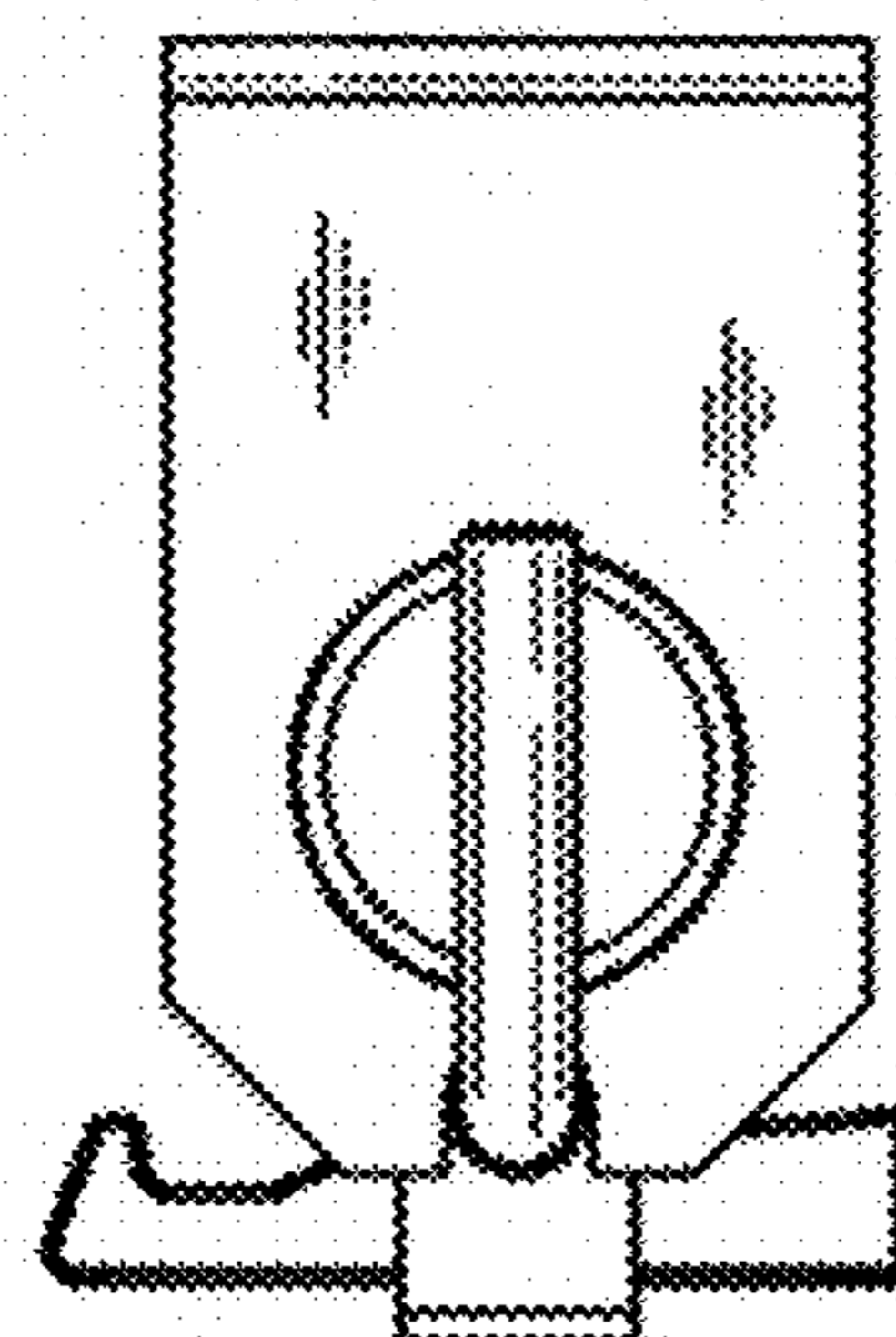


FIG. 7

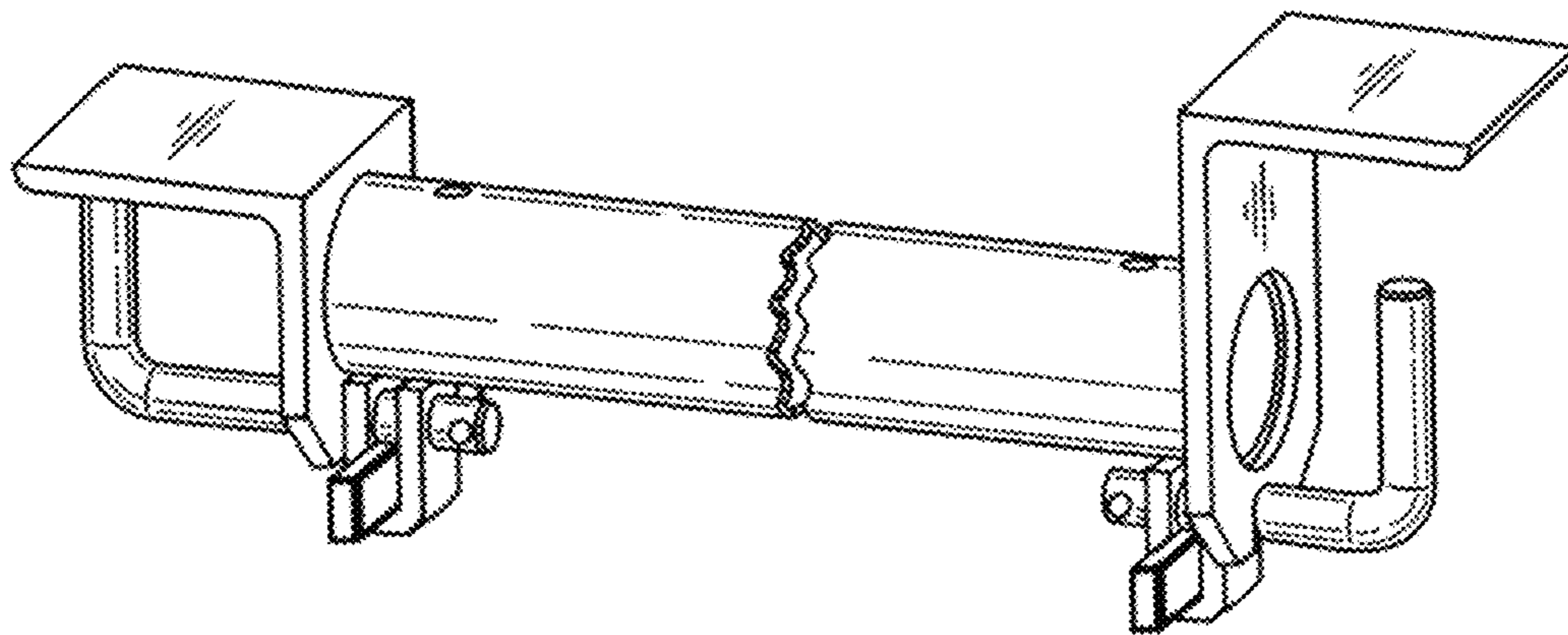


FIG. 8

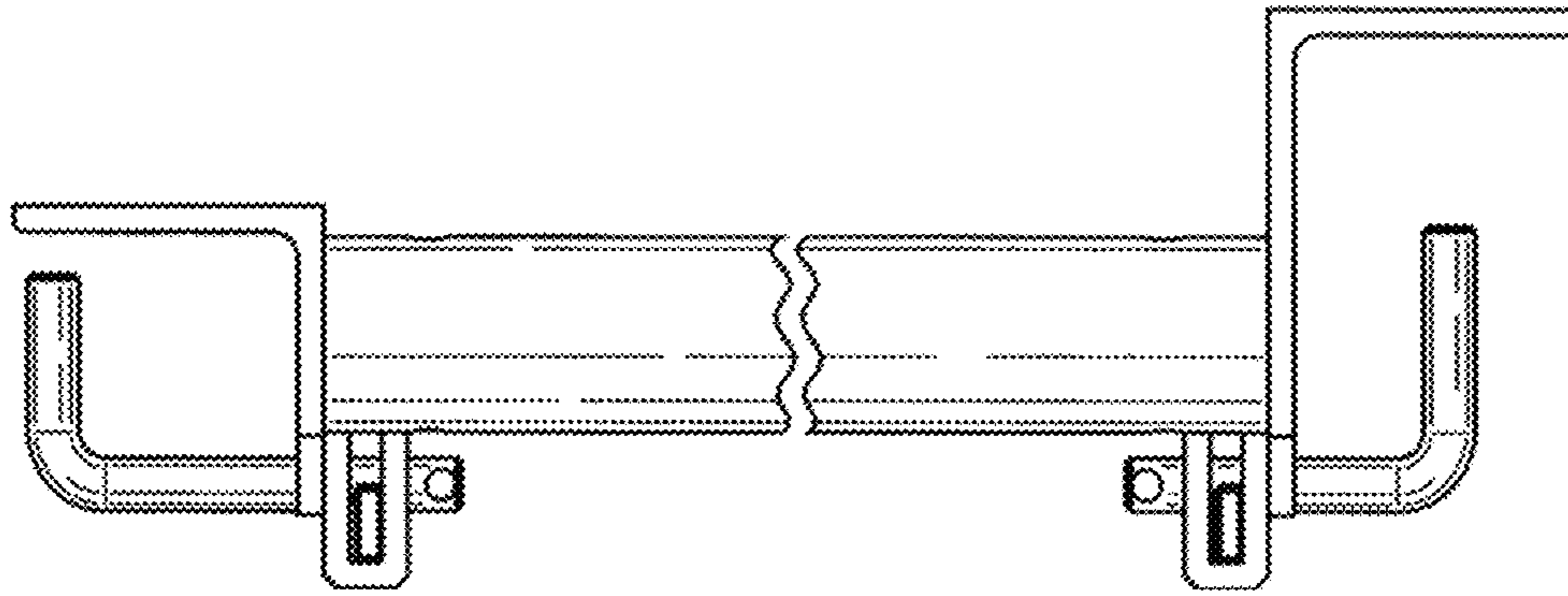


FIG. 9

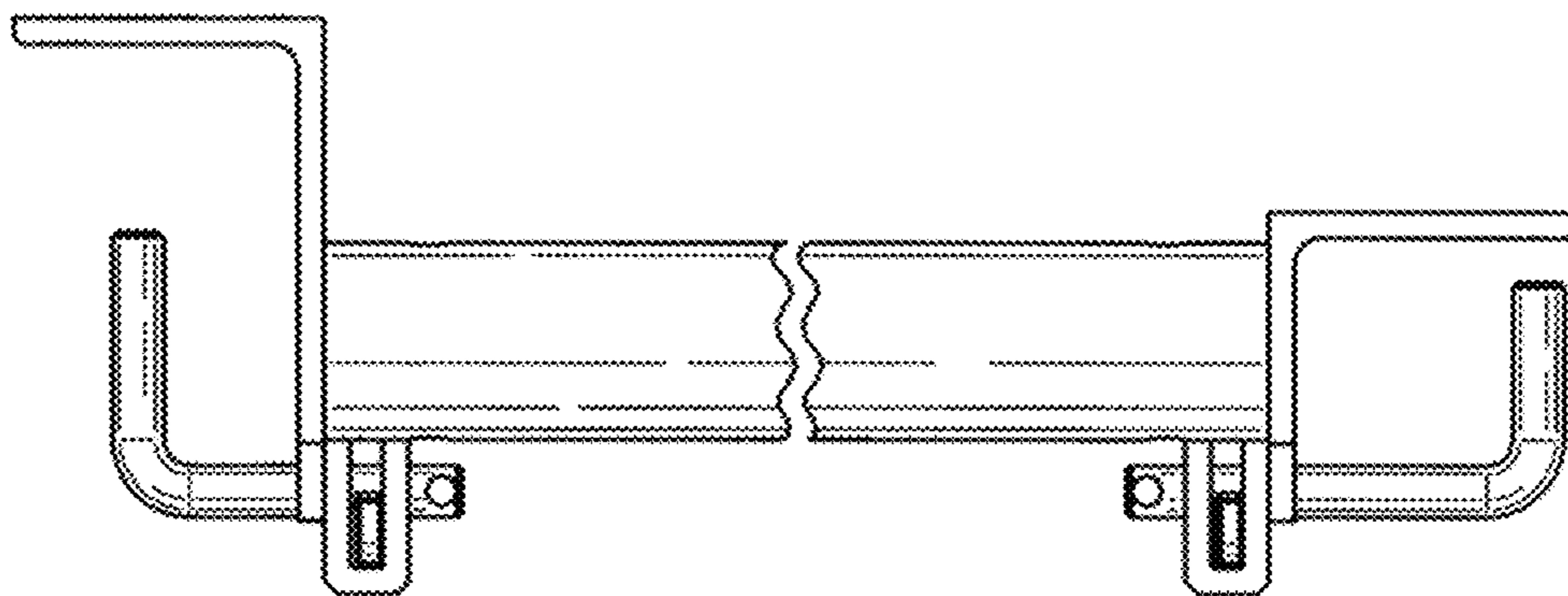


FIG. 10

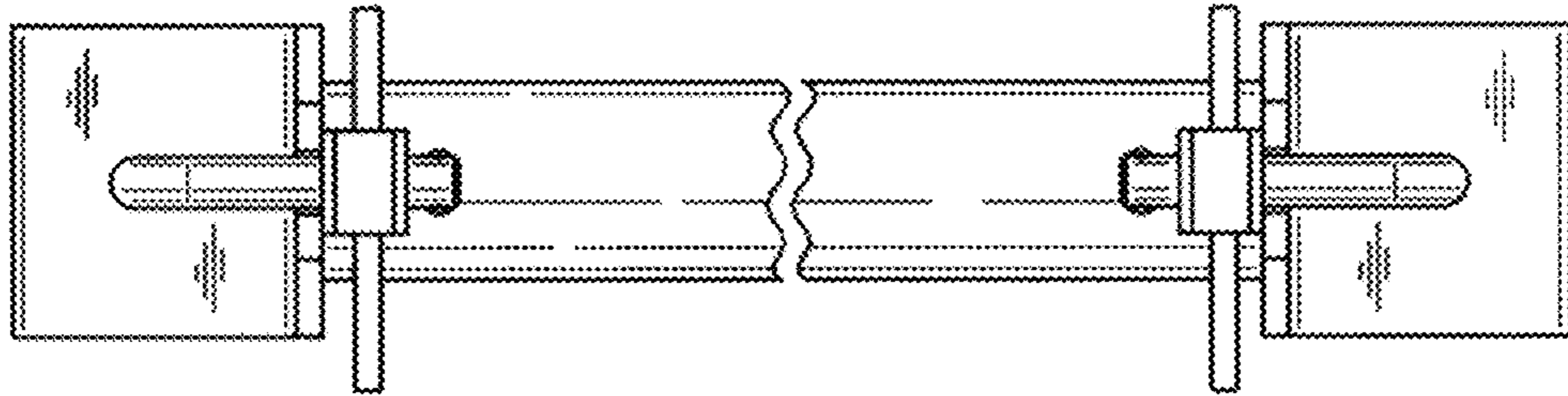


FIG. 11

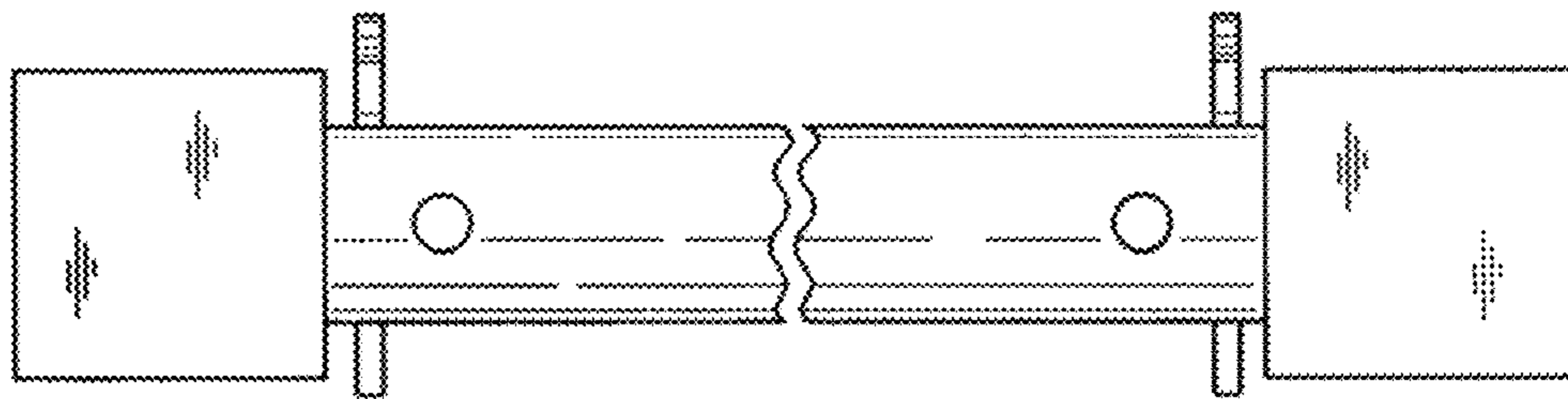


FIG. 12

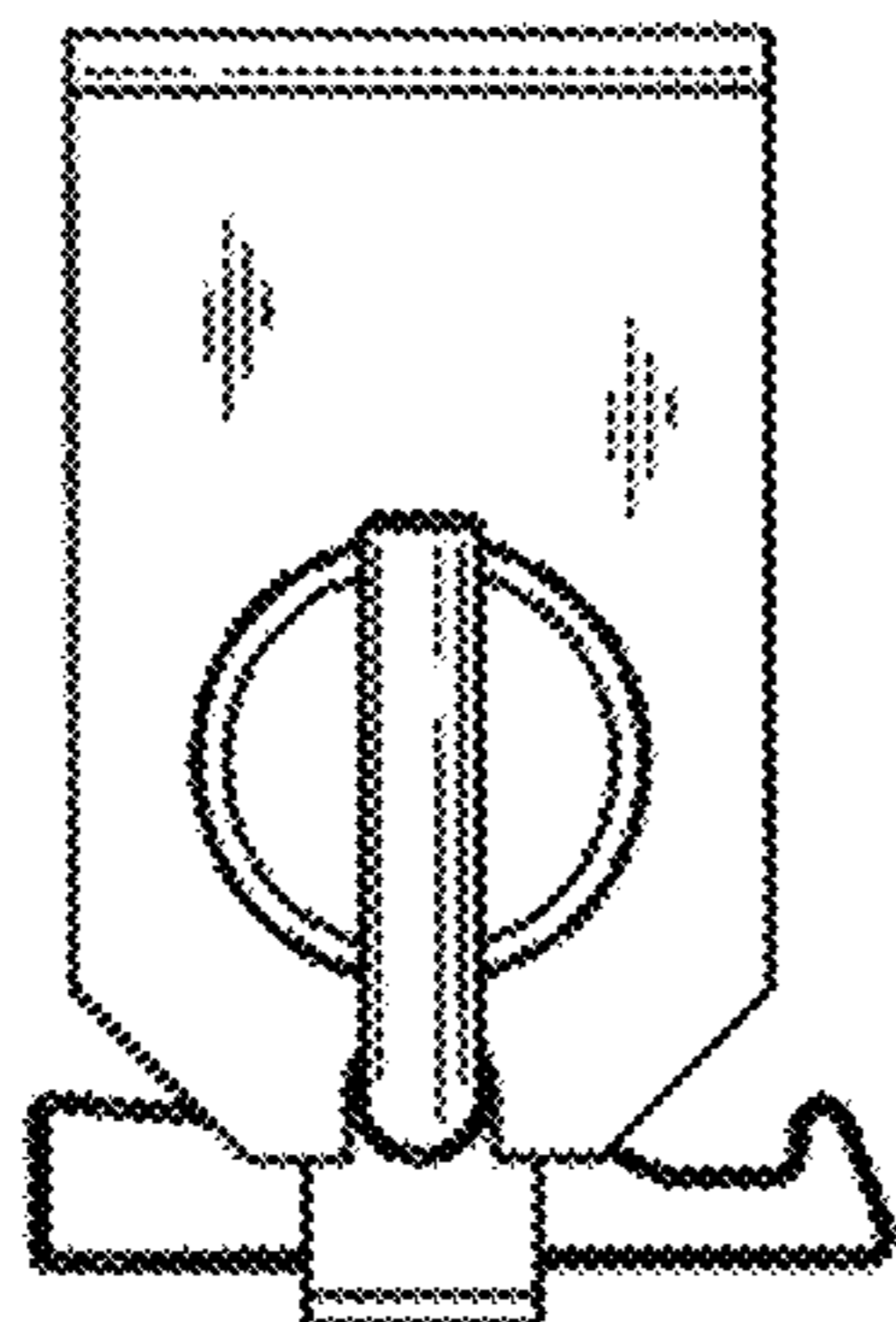


FIG. 13

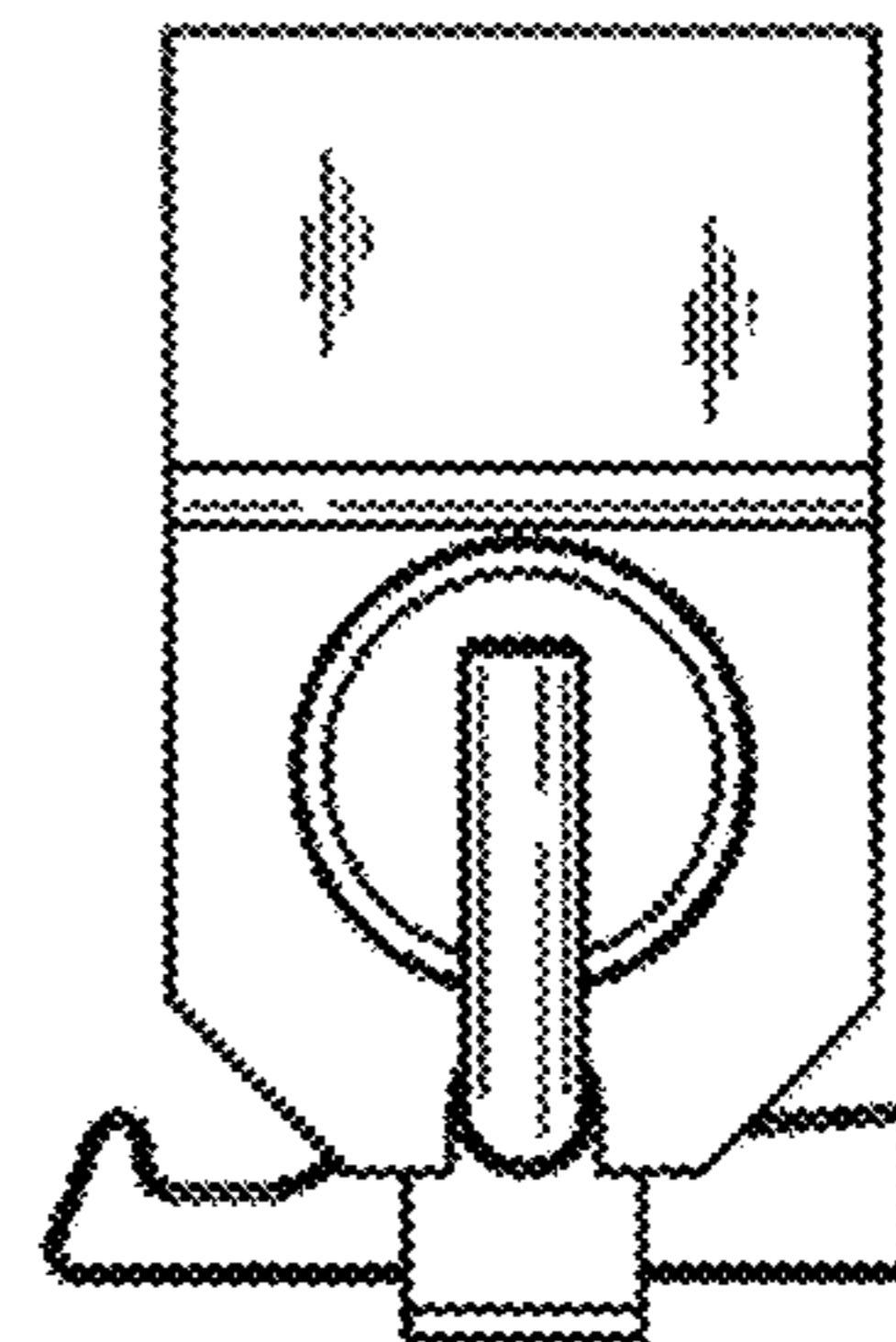


FIG. 14