



US00D833035S

(12) **United States Design Patent** (10) **Patent No.:** **US D833,035 S**  
**Davis** (45) **Date of Patent:** **\*\* Nov. 6, 2018**

(54) **DEVICE FOR CARRYING EXTENSION LADDER**

(71) Applicant: **Jarran C. Davis**, Tulsa, OK (US)

(72) Inventor: **Jarran C. Davis**, Tulsa, OK (US)

(\*\*) Term: **15 Years**

(21) Appl. No.: **29/616,377**

(22) Filed: **Sep. 6, 2017**

(51) **LOC (11) Cl.** ..... **25-04**

(52) **U.S. Cl.**  
USPC ..... **D25/68**

(58) **Field of Classification Search**  
USPC ..... D25/62-65, 68, 69; 182/129; 294/148,  
294/15, 166, 26, 151, 16, 101; 16/422,  
16/424  
CPC ..... E06C 7/48; E06C 7/14; E06C 7/46; E06C  
1/397; E06C 7/188; E06C 7/00; E06C  
7/182

See application file for complete search history.

(56) **References Cited**

**U.S. PATENT DOCUMENTS**

- 2,776,856 A \* 1/1957 Ingram ..... A45F 5/10  
294/101
- 5,511,285 A \* 4/1996 Bush ..... E06C 7/50  
16/422
- 8,540,294 B2 9/2013 Dowler et al.
- 8,851,234 B2 10/2014 Bachorski
- D764,681 S \* 8/2016 Charpentier ..... D25/68
- 2012/0248802 A1 \* 10/2012 Dowler ..... B65G 7/12  
294/26
- 2012/0267195 A1 \* 10/2012 Bachorski ..... A45F 5/102  
182/129
- 2013/0009414 A1 \* 1/2013 LeClaire ..... A45F 5/10  
294/151
- 2014/0265385 A1 \* 9/2014 Seifried ..... B65G 7/12  
294/16

**OTHER PUBLICATIONS**

U.S. Appl. No. 29/607,030; Device for Carrying a Ladder; Filed Jun. 9, 2017; Jarran C. Davis; US.

U.S. Appl. No. 29/609,046; Device for Carrying a Ladder; Filed Jun. 28, 2017; Jarran C. Davis; US.

\* cited by examiner

*Primary Examiner* — Cynthia Ramirez

*Assistant Examiner* — Gino Colan

(74) *Attorney, Agent, or Firm* — Dennis D. Brown;  
Brown Patent Law, P.L.L.C.

(57) **CLAIM**

The ornamental design of the device for carrying extension ladder, as shown and described.

**DESCRIPTION**

FIG. 1 is a perspective view illustrating the device for carrying extension ladder of my new design.

FIG. 2 is a top view of the device for carrying extension ladder.

FIG. 3 is a left side elevational view of the device for carrying extension ladder.

FIG. 4 is a right side elevational view of the device for carrying extension ladder.

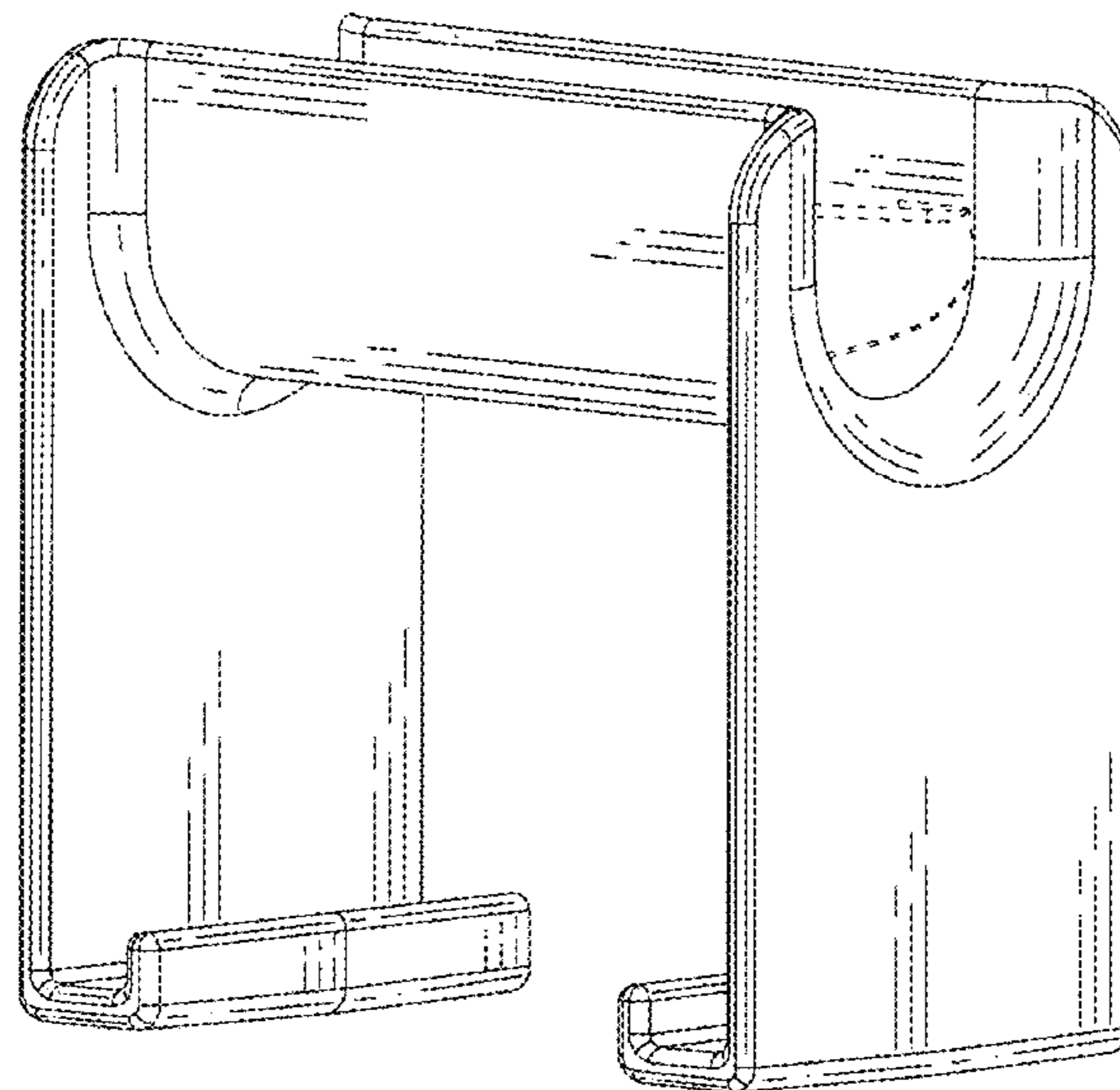
FIG. 5 is a bottom view of the device for carrying extension ladder.

FIG. 6 is a front elevational view of the device for carrying extension ladder; and,

FIG. 7 is a rear elevational view of the device for carrying extension ladder.

The broken lines shown in the figures are included for the purpose of illustrating portions of the device for carrying extension ladder and form no part of the claimed design.

**1 Claim, 7 Drawing Sheets**



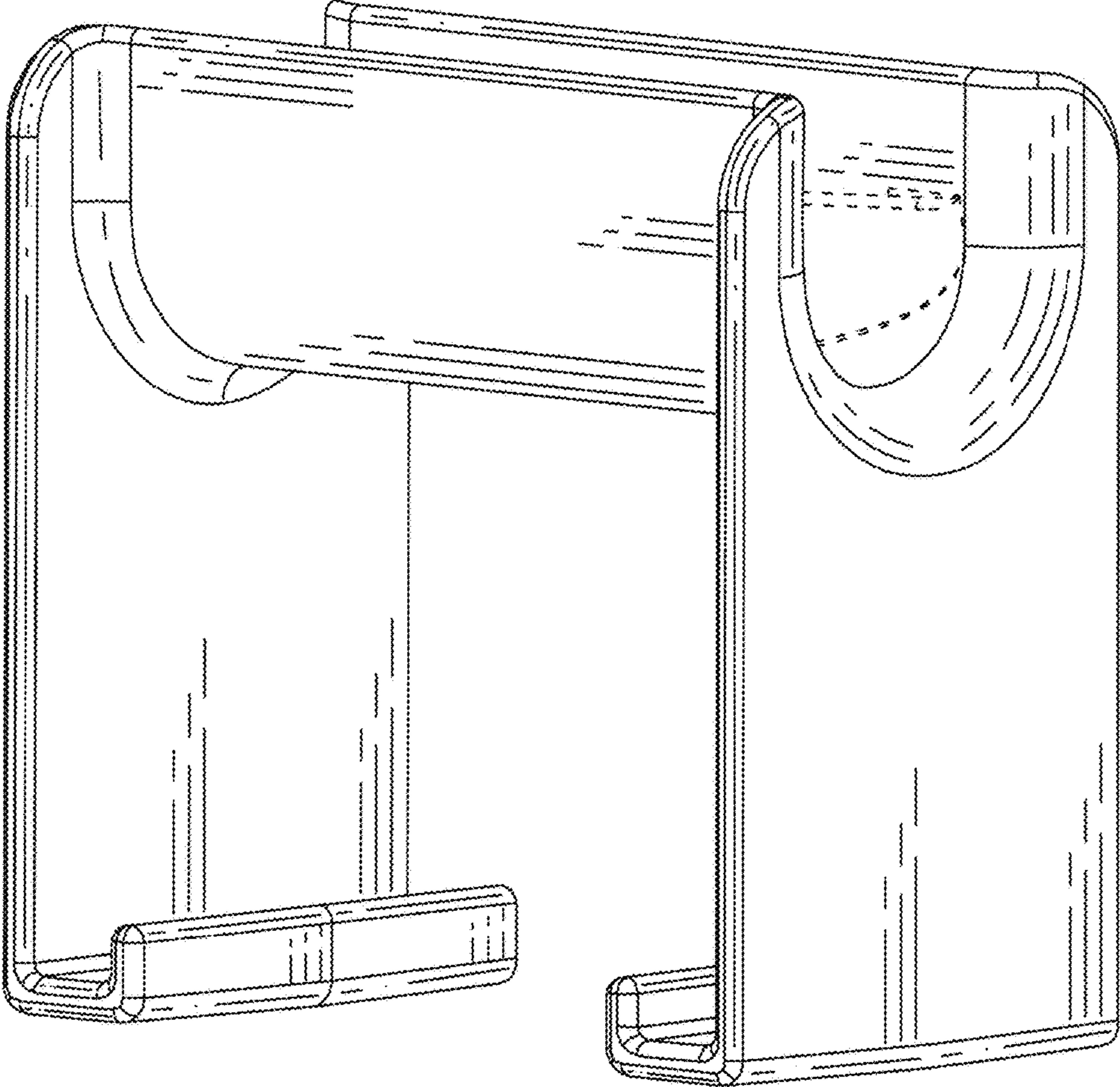


FIG. 1

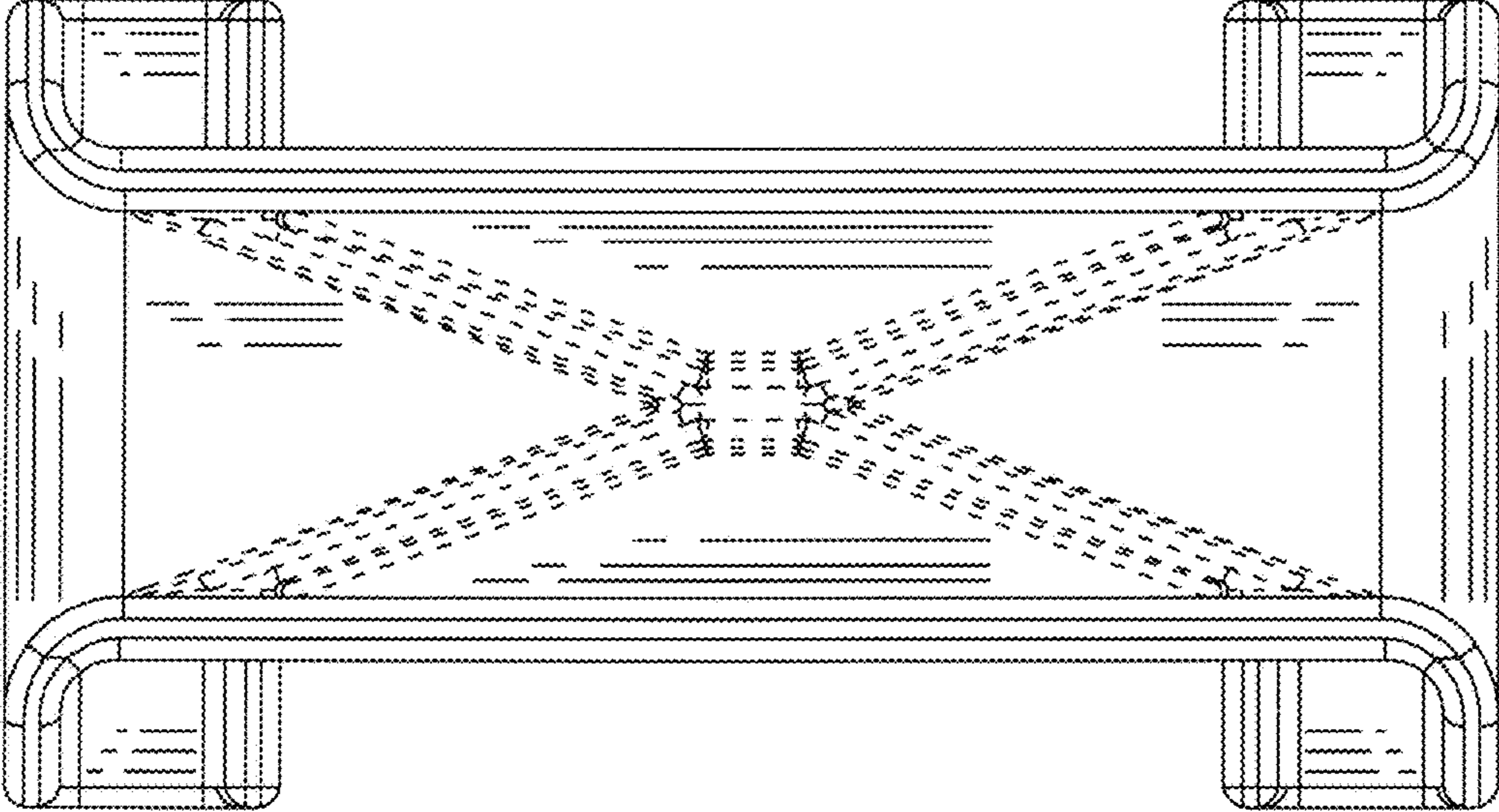


FIG. 2

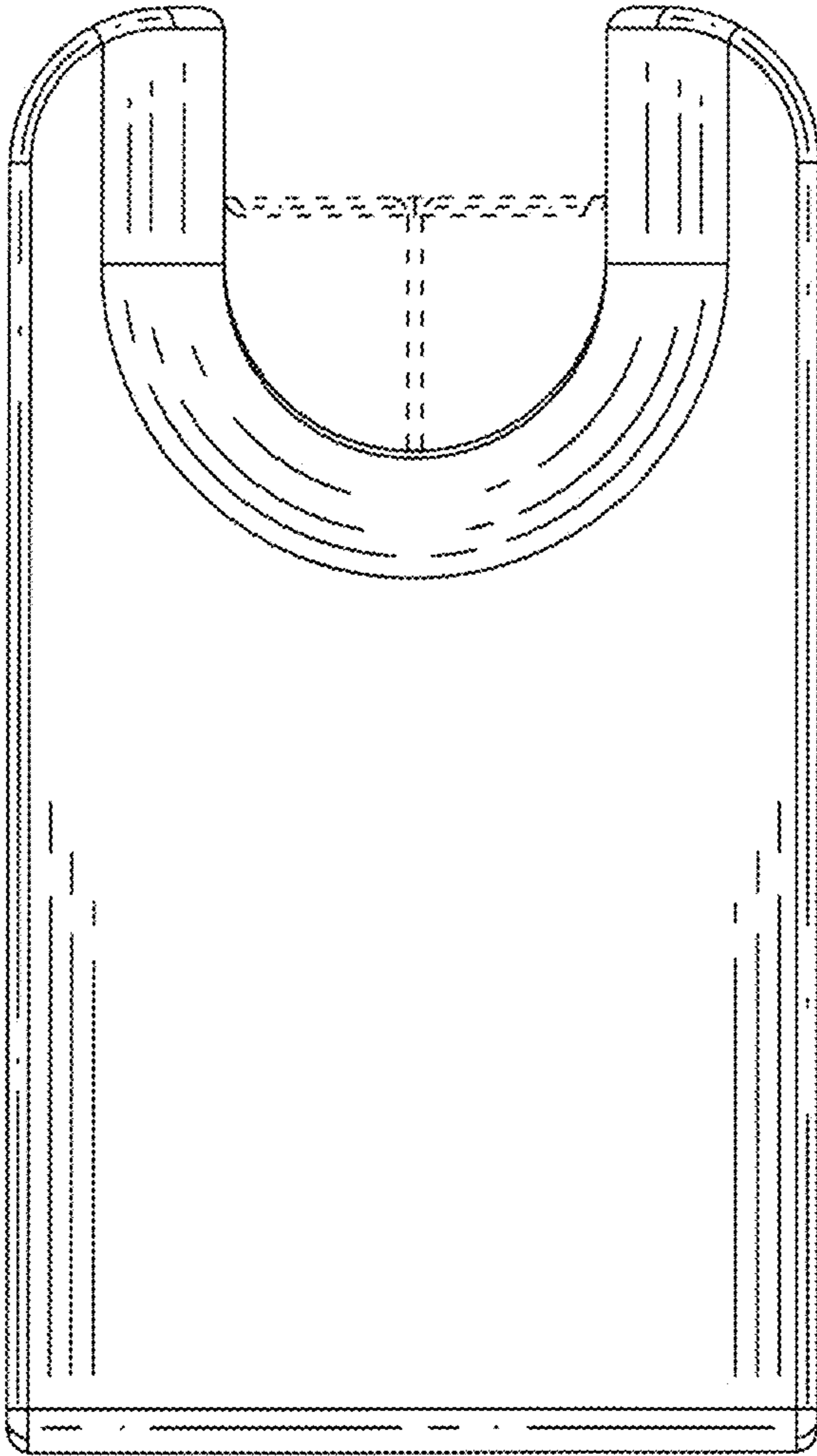


FIG. 3



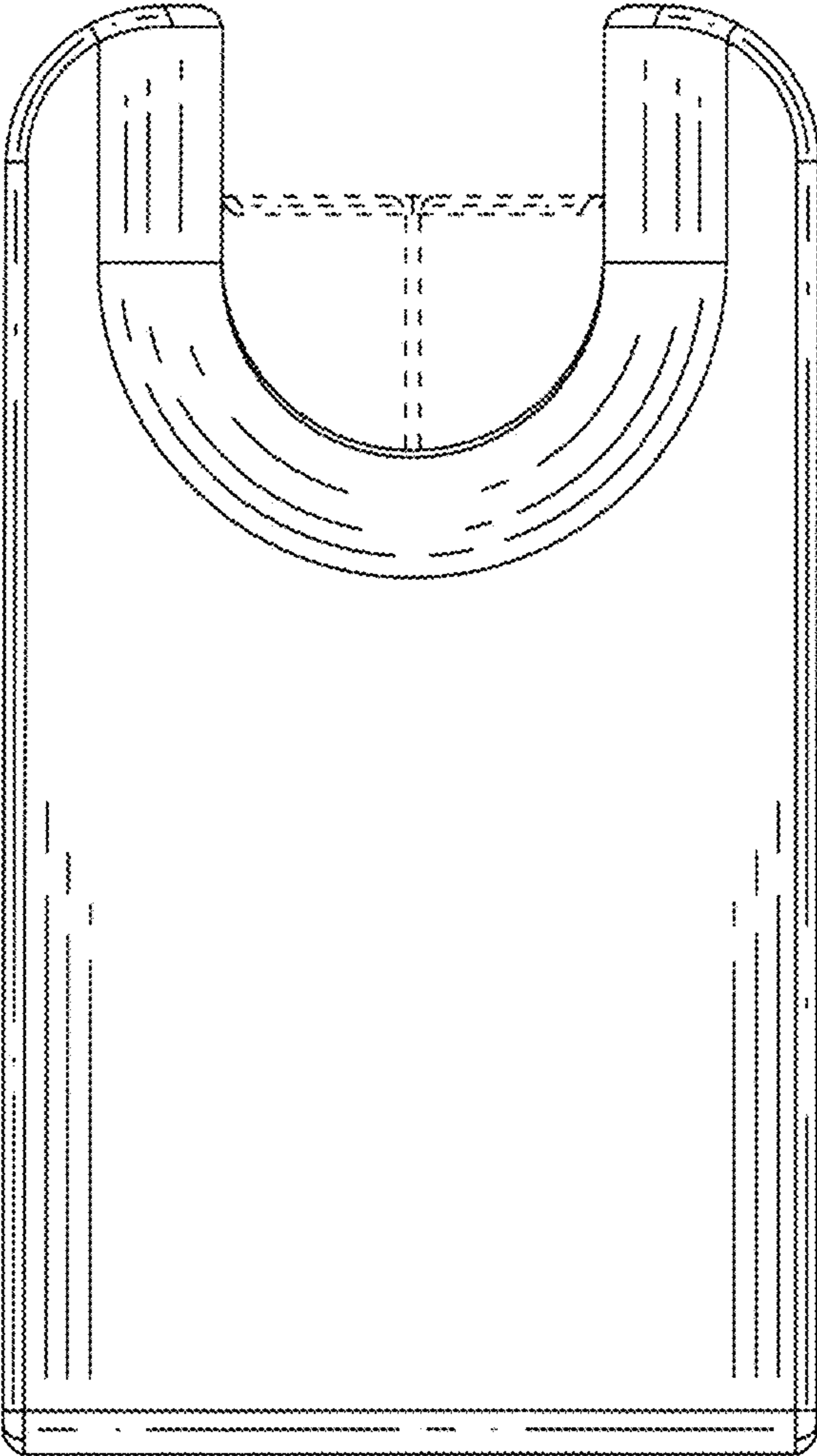


FIG. 4

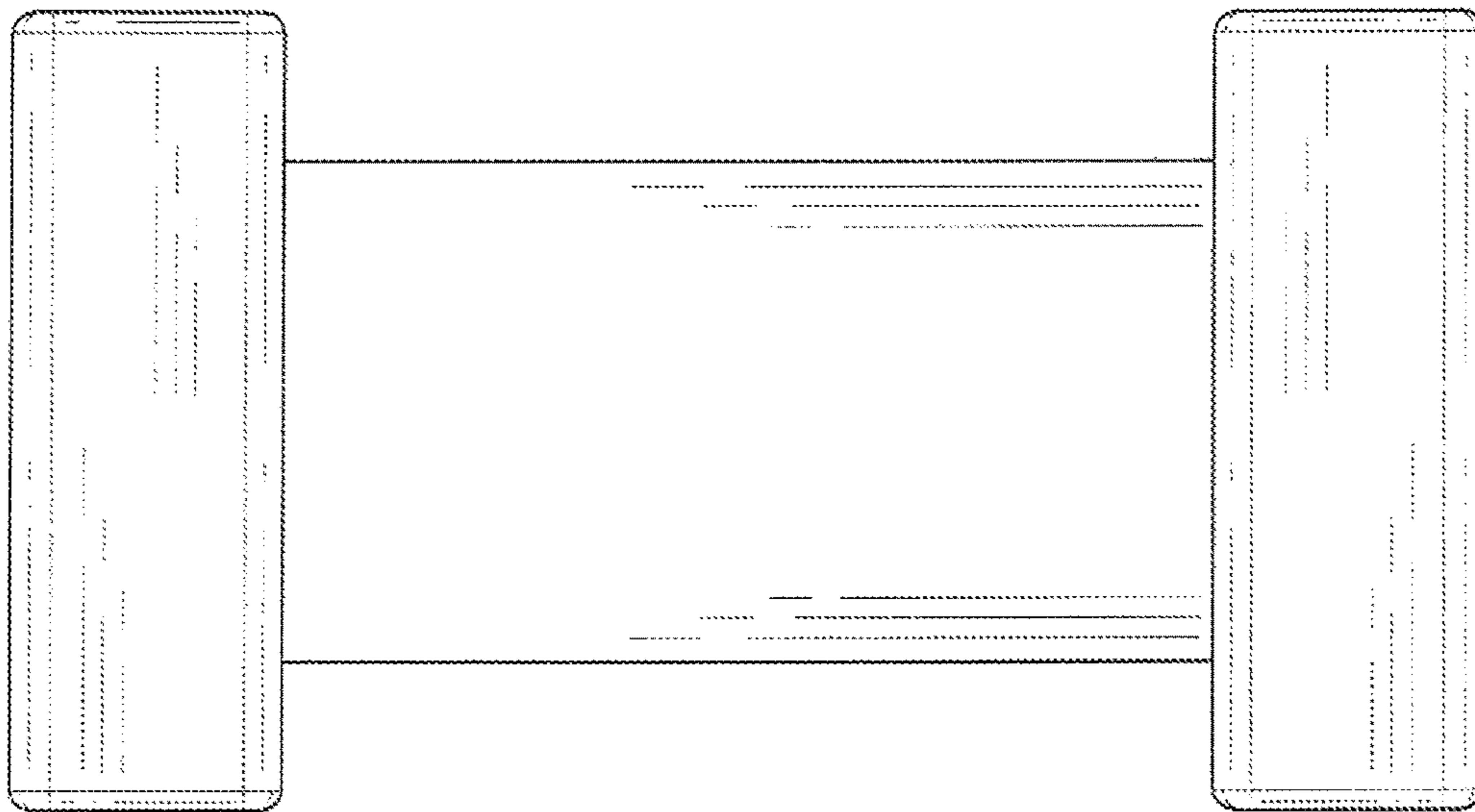


FIG. 5

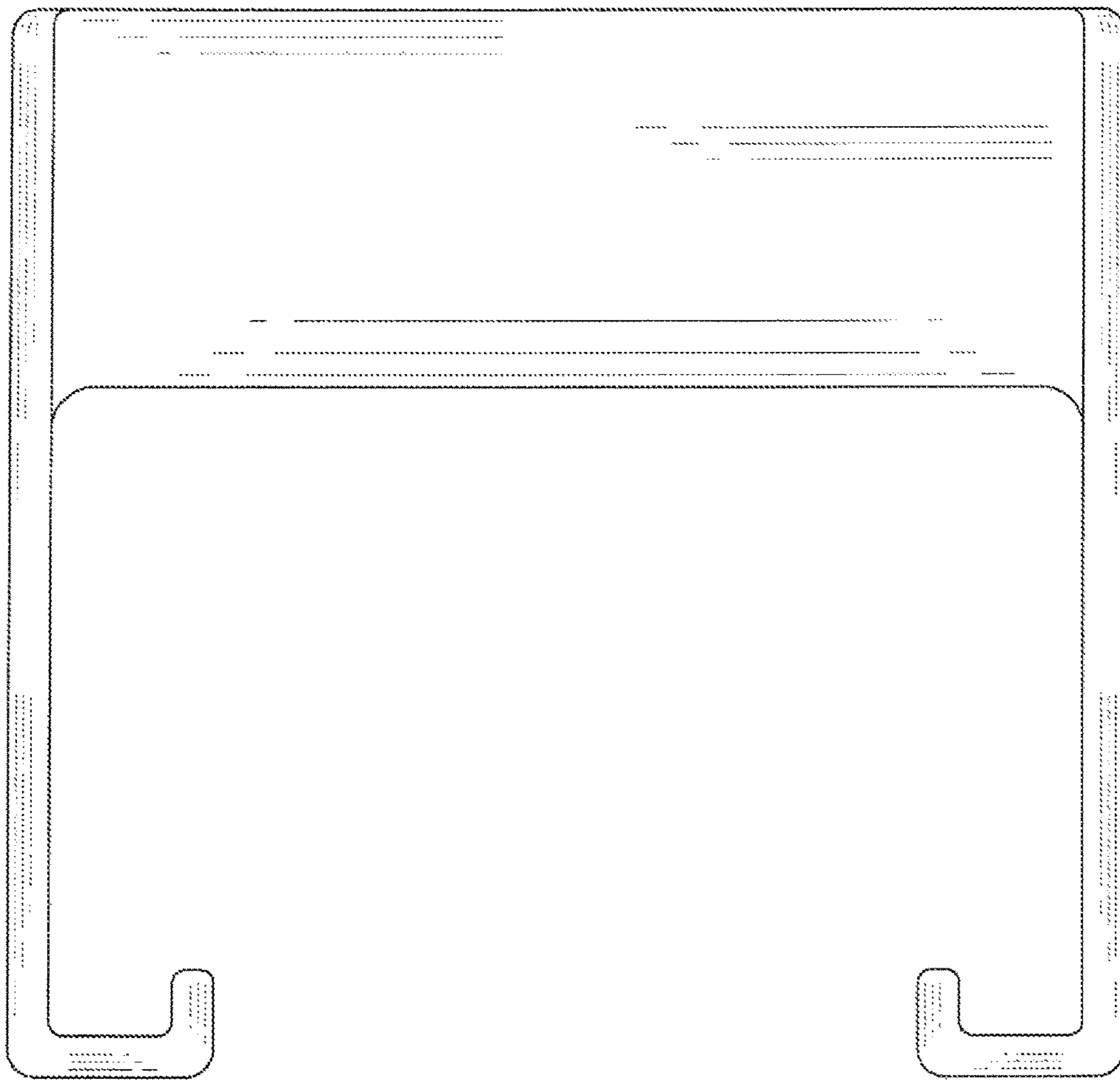


FIG. 6

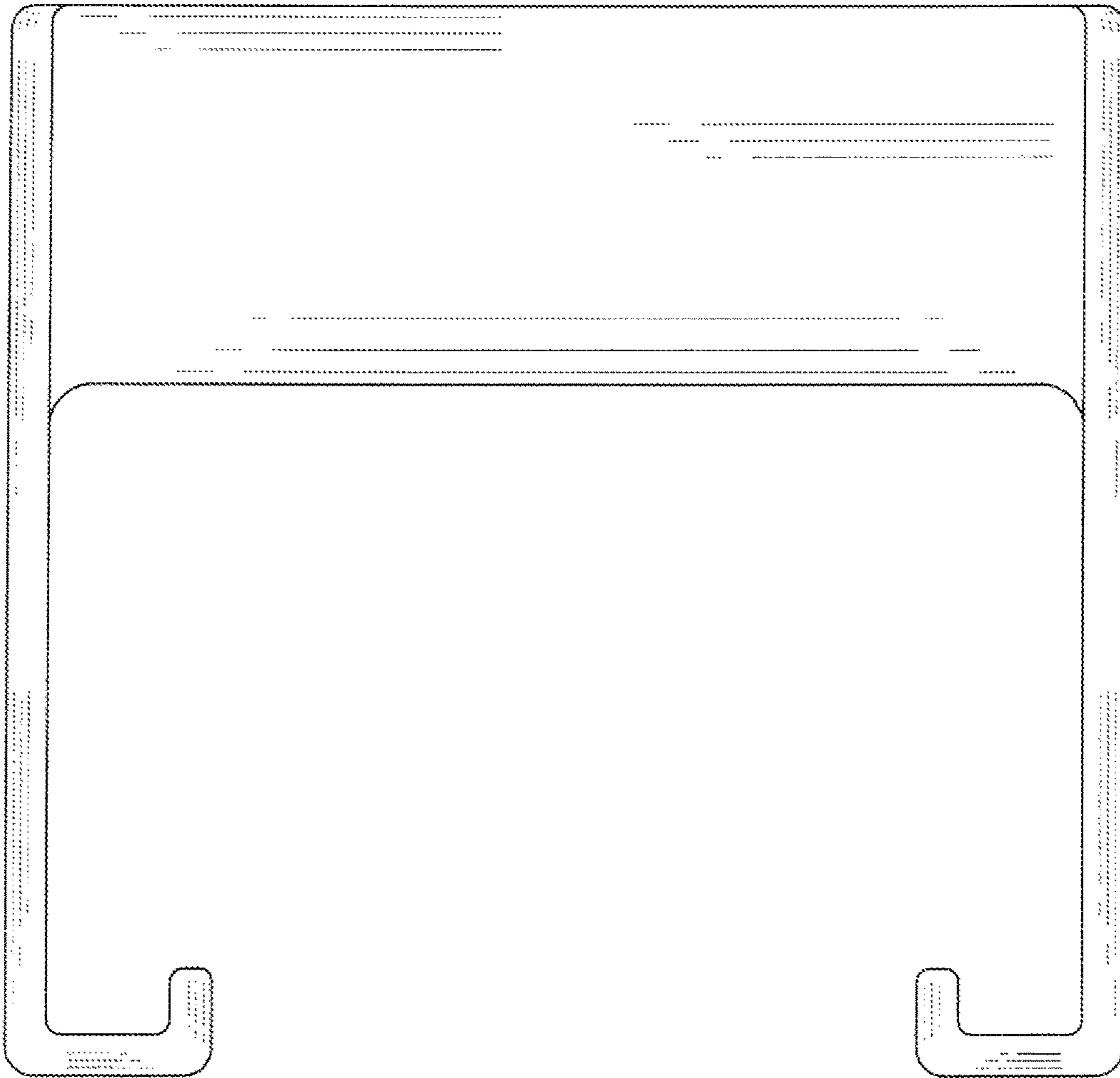


FIG. 7