



US00D833034S

(12) **United States Design Patent** (10) **Patent No.:** **US D833,034 S**
Davis (45) **Date of Patent:** **** Nov. 6, 2018**

(54) **DEVICE FOR CARRYING A LADDER**

(71) Applicant: **Jarran C. Davis**, Tulsa, OK (US)

(72) Inventor: **Jarran C. Davis**, Tulsa, OK (US)

(**) Term: **15 Years**

(21) Appl. No.: **29/609,046**

(22) Filed: **Jun. 28, 2017**

(51) **LOC (11) Cl.** **25-04**

(52) **U.S. Cl.**
USPC **D25/68**

(58) **Field of Classification Search**
USPC D25/62-69; 182/206, 216, 228.3, 25,
182/153, 186.3, 155, 45, 107, 220, 120;
248/229.13, 211, 215, 225.21, 301;
211/124
CPC ... B25H 1/06; E06C 7/423; E06C 7/10; E06C
7/46; E06C 1/345; E06C 7/083; E06C
7/14; E06C 7/482; E06C 7/488; E06C
1/16; E06C 7/44; E06C 7/486

See application file for complete search history.

(56) **References Cited**

U.S. PATENT DOCUMENTS

- 3,283,972 A * 11/1966 Kocina B60R 9/0485
182/127
- D289,007 S * 3/1987 Garcia D8/354
- 4,991,808 A * 2/1991 LaChance E06C 7/14
182/106
- 8,540,294 B2 9/2013 Dowler et al.
- 8,579,345 B2 * 11/2013 LeClaire A45F 5/10
182/129
- 8,851,234 B2 10/2014 Bachorski
- 9,205,983 B1 * 12/2015 Reese B65G 7/12

- D757,302 S * 5/2016 Copp D25/68
- D764,681 S * 8/2016 Charpentier D25/68
- 2014/0265385 A1 * 9/2014 Seifried B65G 7/12
294/16

OTHER PUBLICATIONS

U.S. Appl. No. 29/607,030; Device for Carrying a Ladder; filed Jun. 9, 2017; Jarran C. Davis; US.
U.S. Appl. No. 29/616,377; Device for Carrying Extension Ladder; filed Sep. 6, 2017; Jarran C. Davis; US.

* cited by examiner

Primary Examiner — Cynthia Ramirez
Assistant Examiner — Gino Colan
(74) *Attorney, Agent, or Firm* — Dennis D. Brown;
Brown Patent Law, P.L.L.C.

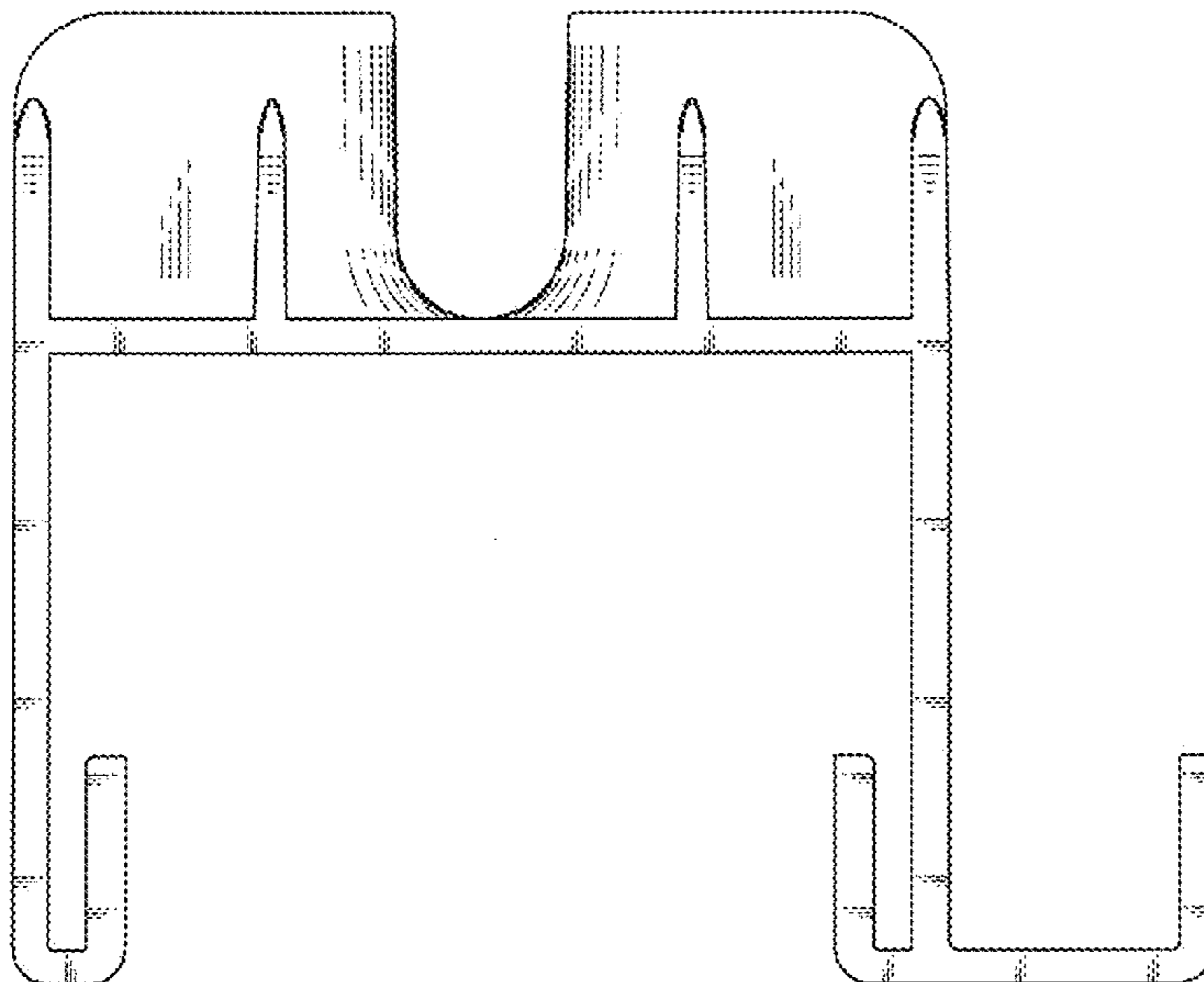
(57) **CLAIM**

The ornamental design of the device for carrying a ladder, as shown and described.

DESCRIPTION

FIG. 1 is a rear elevational view of the device for carrying a ladder of my new design.
FIG. 2 is a front elevational view of the device for carrying a ladder.
FIG. 3 is a right side elevational view of the device for carrying a ladder.
FIG. 4 is a left side elevational view of the device for carrying a ladder.
FIG. 5 is a bottom view of the device for carrying a ladder.
FIG. 6 is a top view of the device for carrying a ladder; and,
FIG. 7 is a perspective view illustrating the device for carrying a ladder.

1 Claim, 7 Drawing Sheets



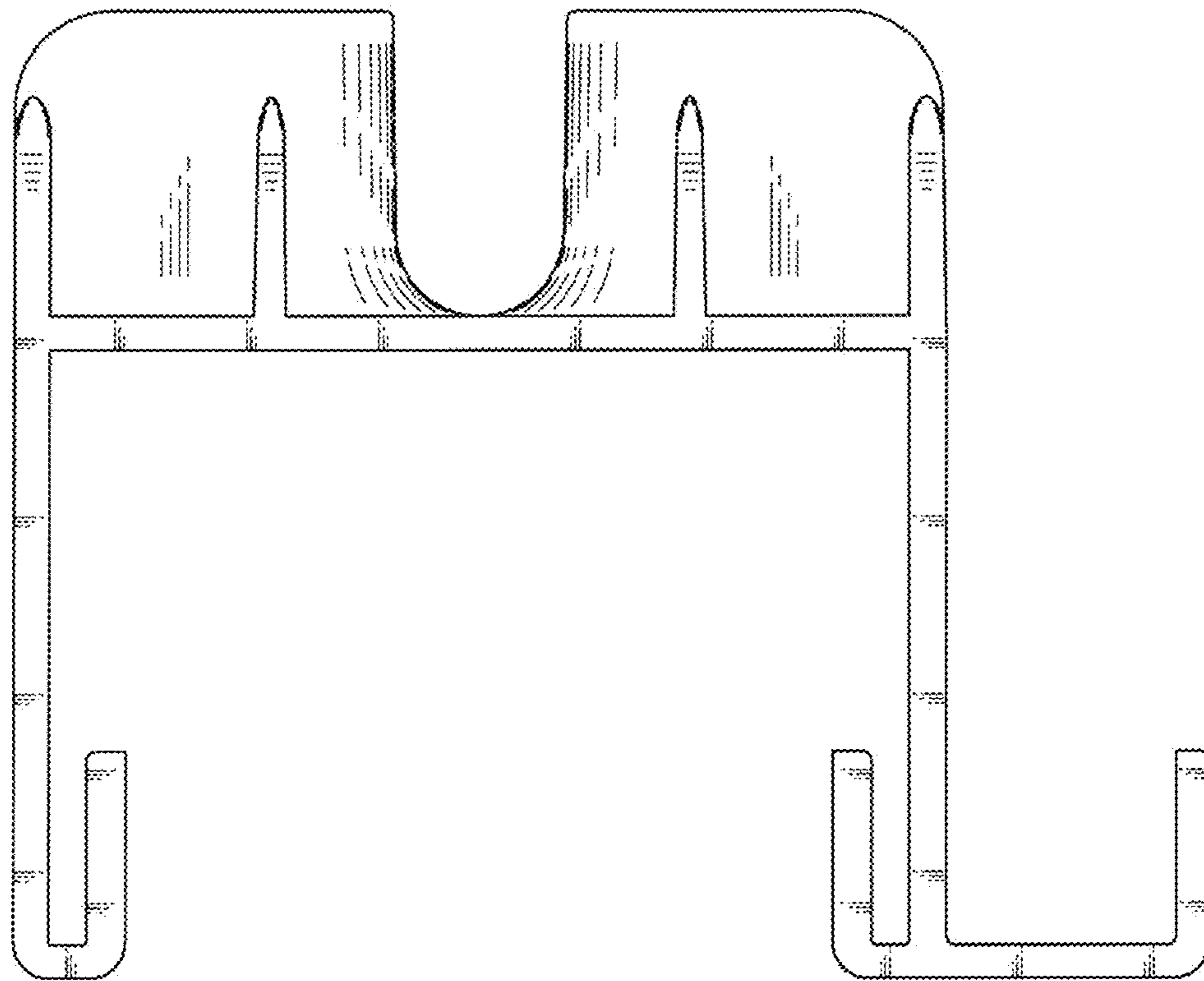


FIG. 1

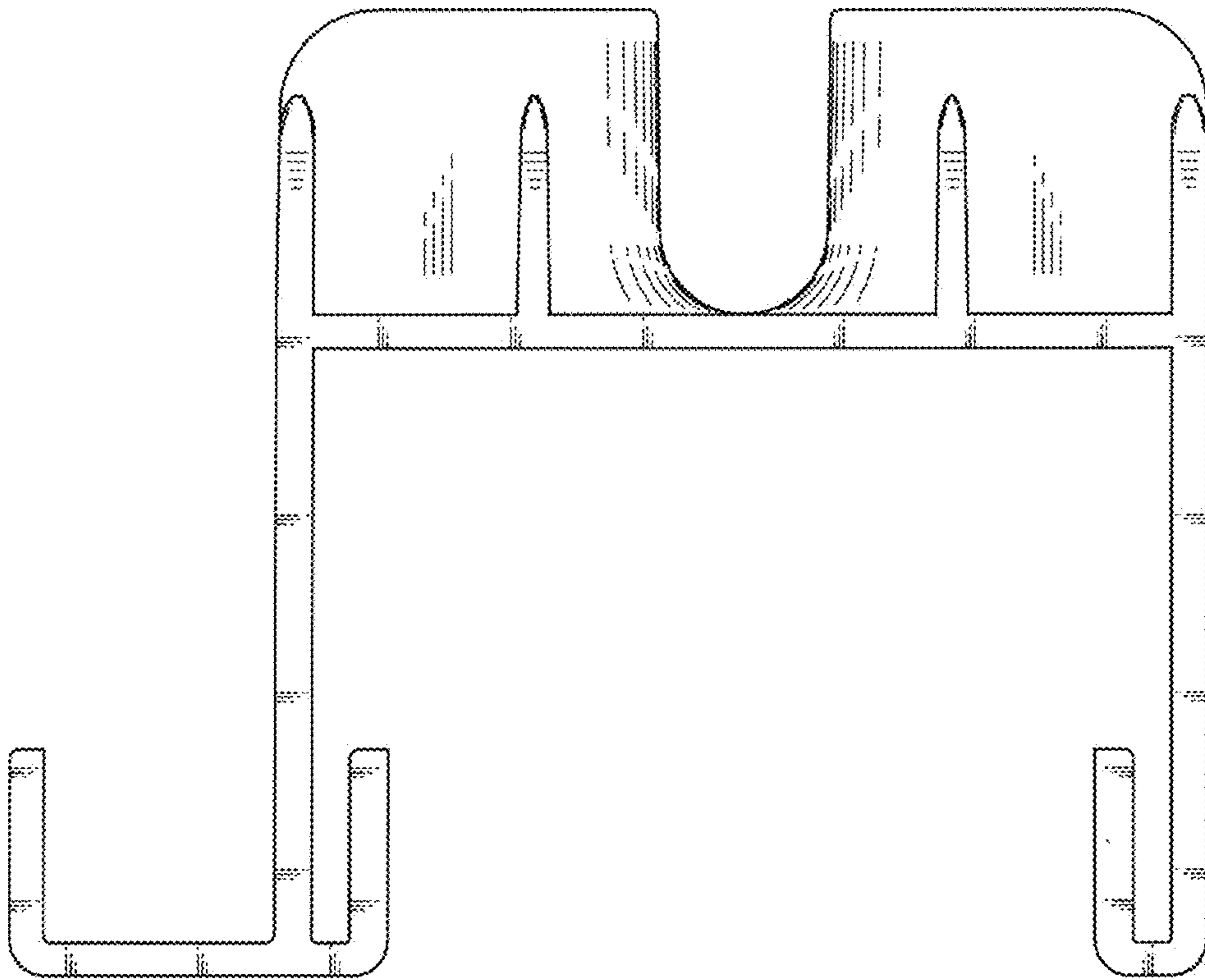


FIG. 2

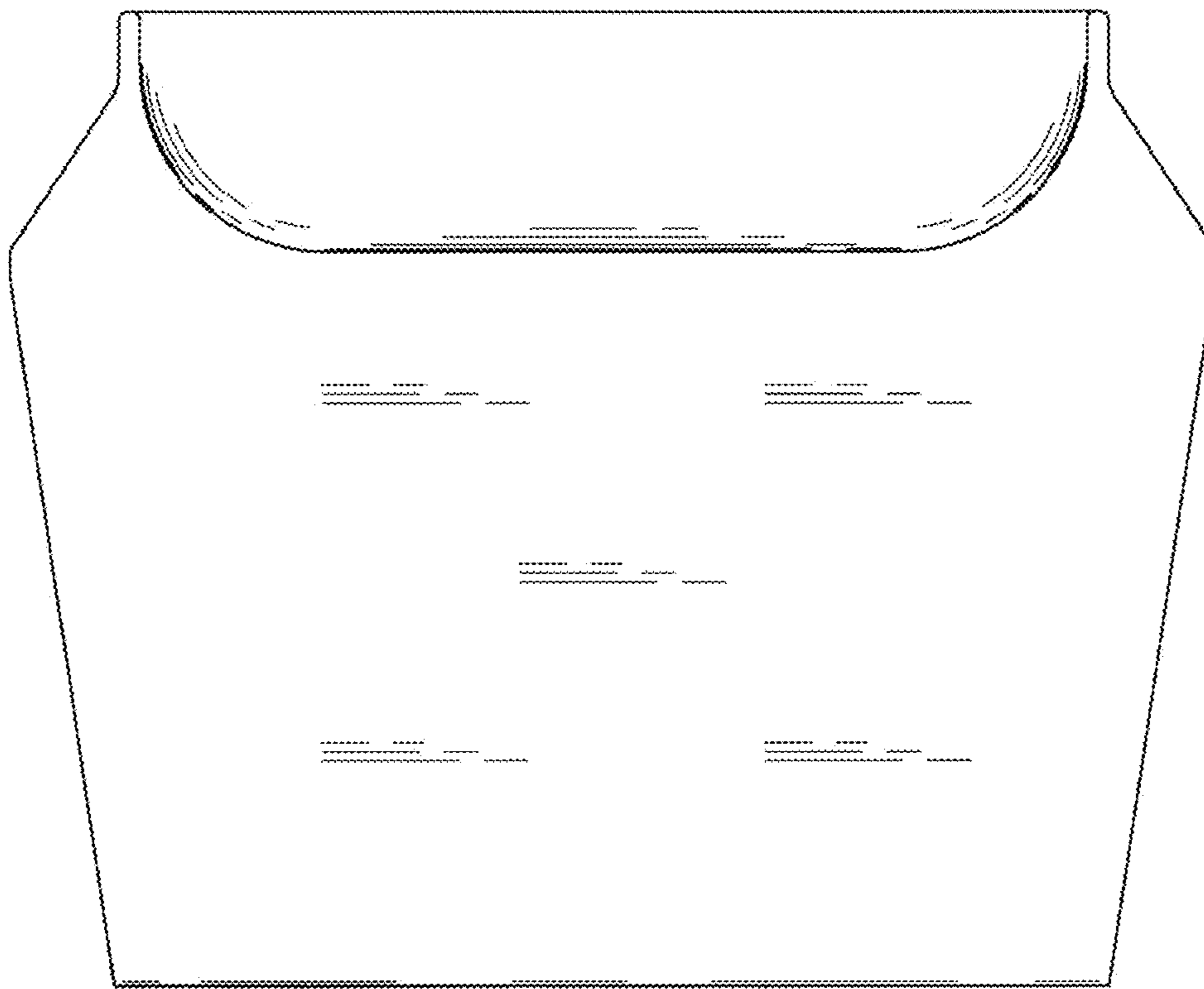


FIG. 3

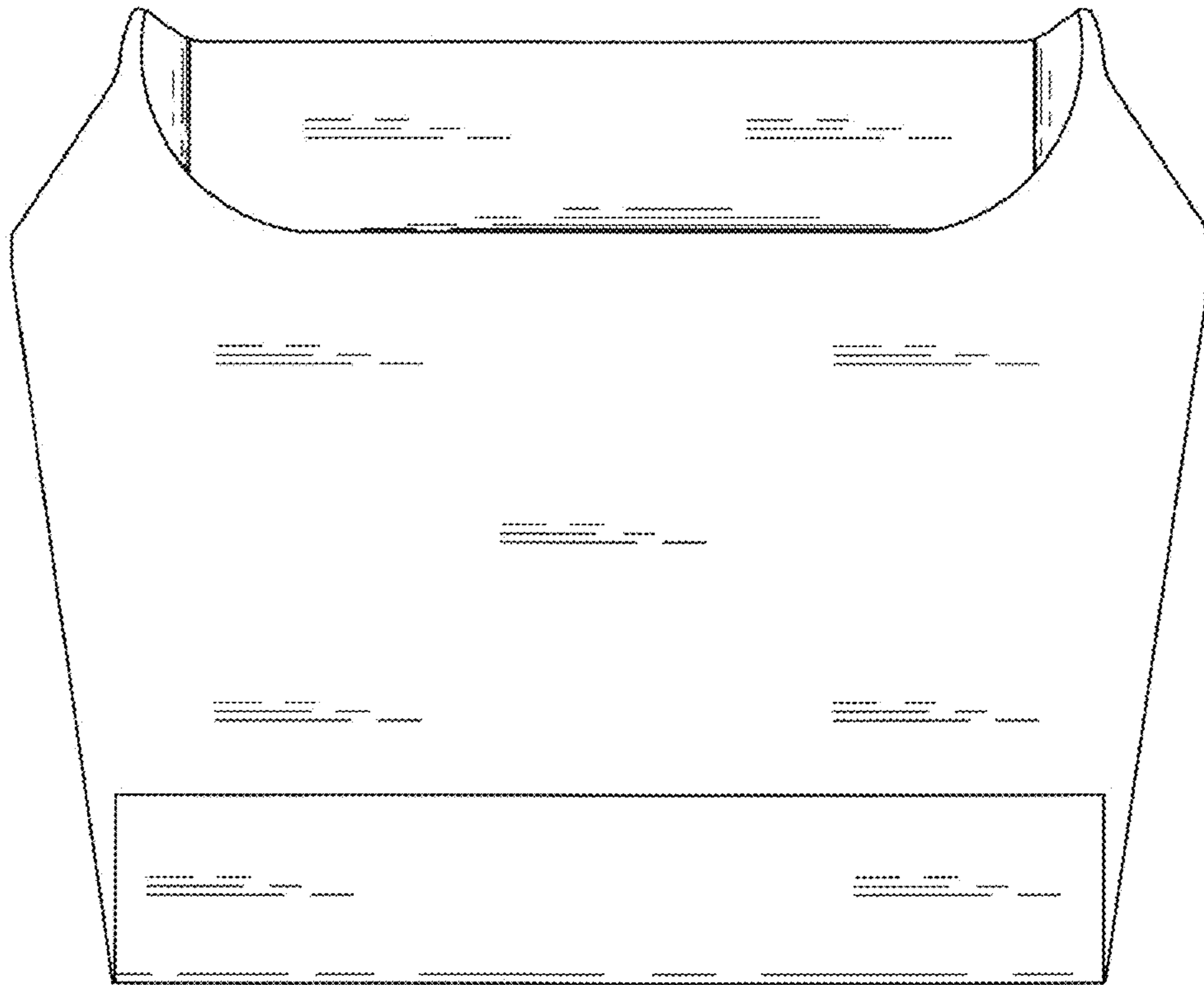


FIG. 4

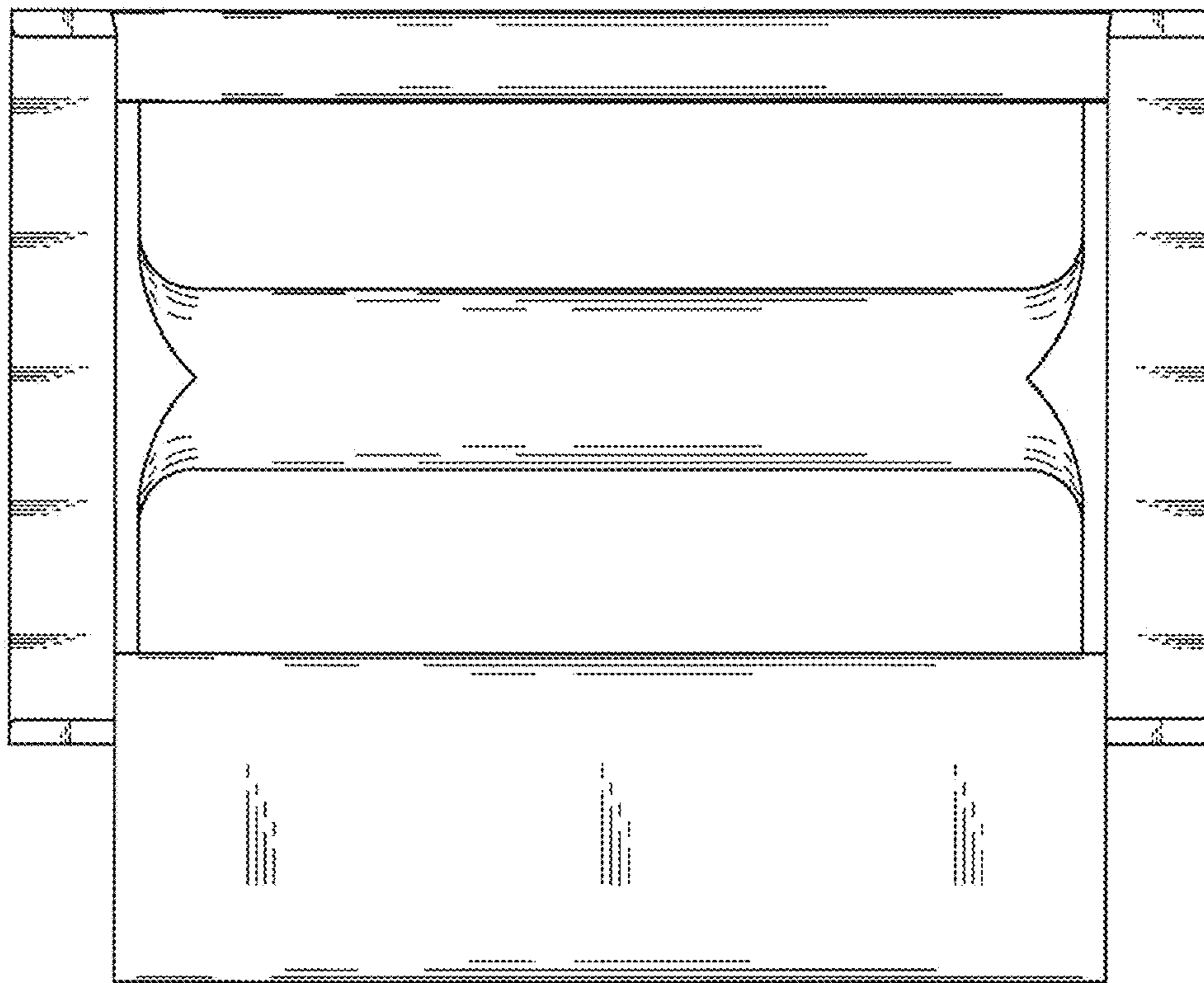


FIG. 5

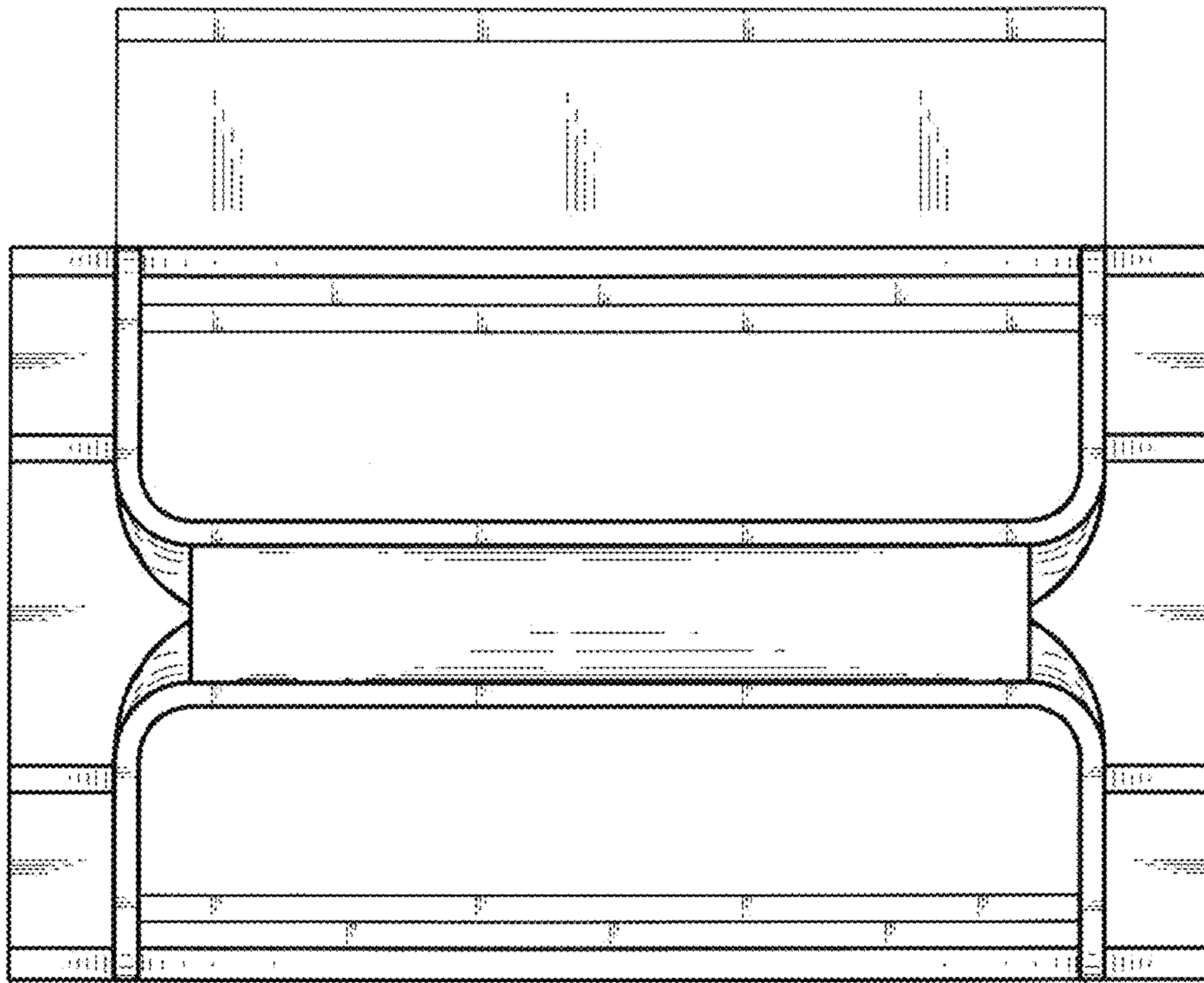


FIG. 6

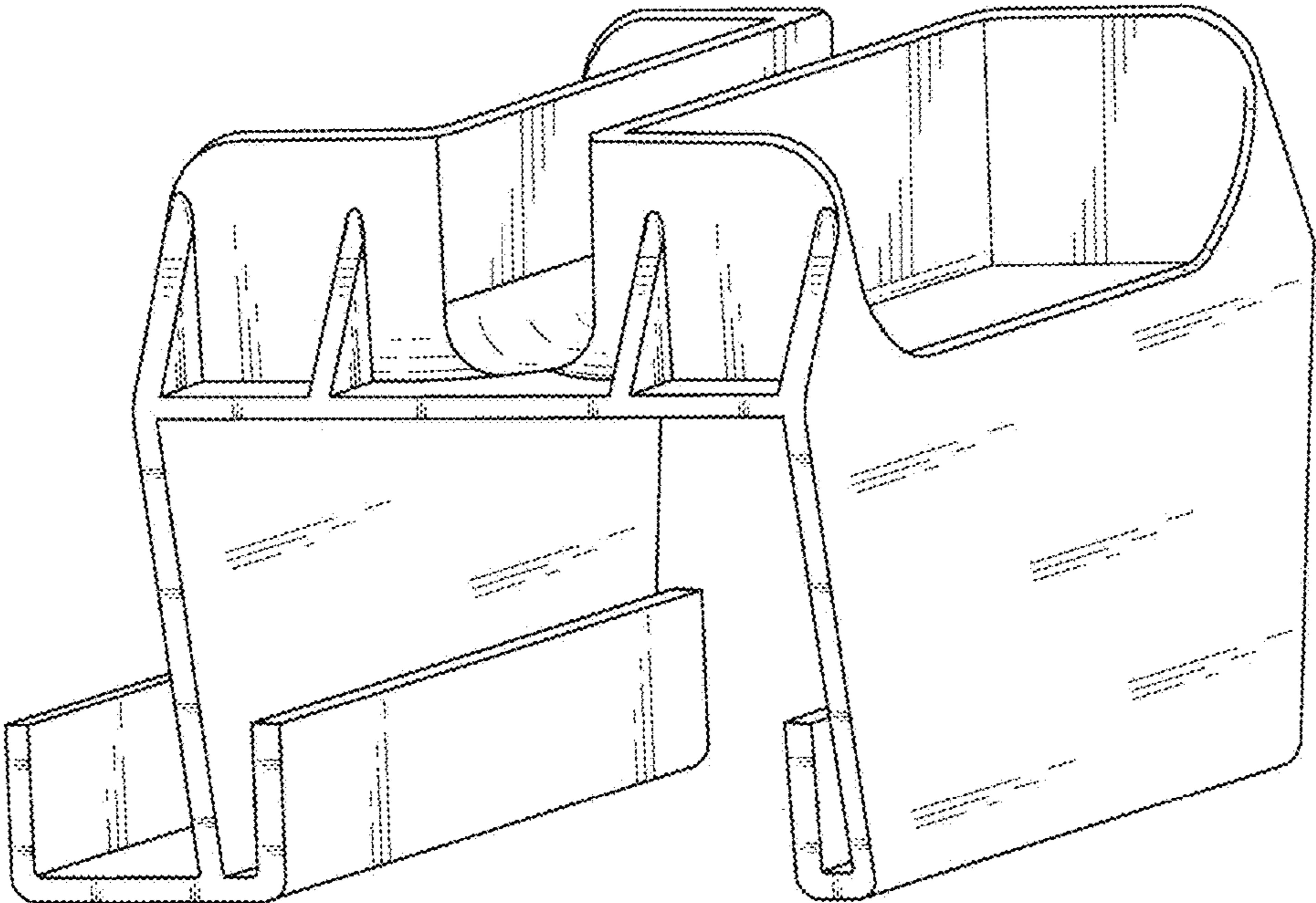


FIG. 7