



US00D833032S

(12) **United States Design Patent**
Molinuevo Portal et al.

(10) **Patent No.:** **US D833,032 S**
(45) **Date of Patent:** **** Nov. 6, 2018**

(54) **AUTOMATIC INTRAVENOUS PREPARATION MACHINE**

FOREIGN PATENT DOCUMENTS

(71) Applicant: **KIRO GRIFOLS SL**, Arrasate (Gipuzkoa) (ES)
(72) Inventors: **Clara Molinuevo Portal**, Burgos (ES); **Borja Lizari Illarramendi**, Araico (ES); **Jose Ignacio Andres Pineda**, Vitoria-Gasteiz (ES); **Amaia Ilzarbe Andres**, Donostia-San Sebastian (ES); **Pablo Lascurain Areitioaurtena**, Bergara (ES)

EM 003361146-0001 9/2016
EM 003361146-0002 9/2016

Primary Examiner — Anhdao Doan
(74) *Attorney, Agent, or Firm* — Knobbe Martens Olson & Bear LLP

(73) Assignee: **KIRO GRIFOLS, S.L.**, Arrasate (Gipuzkoa) (ES)

(57) **CLAIM**

The ornamental design for an automatic intravenous preparation machine, as shown and described.

(**) Term: **15 Years**

DESCRIPTION

(21) Appl. No.: **29/615,915**

FIG. 1 is a front perspective view of a first embodiment of an automatic intravenous preparation machine showing our new design.

(22) Filed: **Aug. 31, 2017**

FIG. 2 is the perspective view of FIG. 1, including a boundary line 3-3 which identifies a portion of the figure which is shown enlarged in FIG. 3.

(30) **Foreign Application Priority Data**

Mar. 27, 2017 (EM) 003824937-0001
Mar. 27, 2017 (EM) 003824937-0002

FIG. 3 is an enlarged view of the encircled portion shown in FIG. 2.

(51) **LOC (11) Cl.** **24-01**

FIG. 4 is a front elevational view thereof.

(52) **U.S. Cl.**
USPC **D24/232**

FIG. 5 is a rear elevational view thereof.

(58) **Field of Classification Search**
USPC D24/107, 169, 185, 186, 216-219, D24/231-234; D10/81
(Continued)

FIG. 6 is a right side elevational view thereof.

FIG. 7 is a left side elevational view thereof.

FIG. 8 is a top plan view thereof.

FIG. 9 is a bottom plan view thereof.

FIG. 10 is a rear perspective view thereof, including a boundary line 11-11 which identifies a portion of the figure which is shown enlarged in FIG. 11.

(56) **References Cited**

U.S. PATENT DOCUMENTS

D235,356 S * 6/1975 Farco D24/234
D472,645 S * 4/2003 Roepke D24/234
(Continued)

FIG. 11 is an enlarged view of the encircled portion shown in FIG. 10.

FIG. 12 is a front perspective view of a second embodiment of the automatic intravenous preparation machine, including a boundary line 13-13 which identifies a portion of the figure which is shown enlarged in FIG. 13.

FIG. 13 is an enlarged view of the encircled portion shown in FIG. 12.

FIG. 14 is a front elevational view thereof.

FIG. 15 is a rear elevational view thereof.

FIG. 16 is a right side elevational view thereof.

FIG. 17 is a left side elevational view thereof.

FIG. 18 is a top plan view thereof.

(Continued)

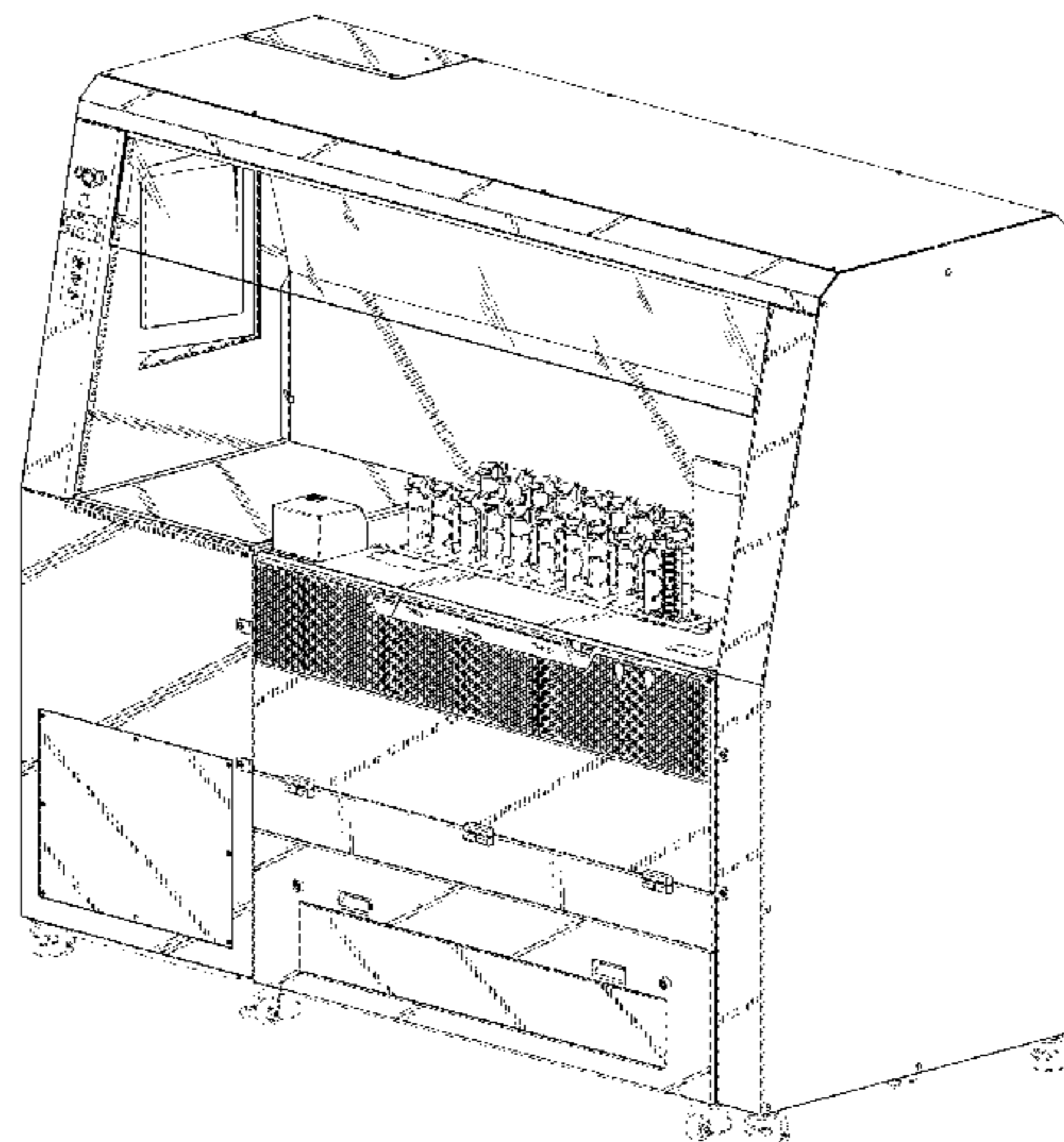


FIG. 19 is a bottom plan view thereof.
 FIG. 20 is a rear perspective view thereof, including a boundary line 21-21 which identifies a portion of the figure which is shown enlarged in FIG. 21; and,
 FIG. 21 is an enlarged view of the encircled portion shown in FIG. 20.

The evenly broken dash-dash lines in the figures depict features of the automatic intravenous preparation machine that form no part of the claimed design. The dot-dash-dot boundary lines in FIGS. 2, 10, 12 and 20 identify portions of the figure which are shown enlarged as described. The dot-dash-dot boundary lines in FIGS. 2-3, 10-13, and 20-21 form no part of the claimed design.

1 Claim, 19 Drawing Sheets

(58) **Field of Classification Search**

CPC G01N 21/0483; G01N 21/0303; G01N 35/00029; G01N 35/00019; G01N 2035/00326; B65B 3/003; B65B 3/04;

B65B 43/54; A61M 5/1782; G07F 17/0092

See application file for complete search history.

(56)

References Cited

U.S. PATENT DOCUMENTS

D598,129	S *	8/2009	Tsukuda	D24/234
D681,226	S *	4/2013	Oonuma	D24/216
D716,966	S *	11/2014	Lizari Illarramendi	D24/232
D767,423	S *	9/2016	Choudhary	D24/216
D800,000	S *	10/2017	Barton	D24/216
2012/0318402	A1 *	12/2012	Aguerre	B65B 3/003 141/2
2014/0150379	A1 *	6/2014	Aguerre	B65B 3/003 53/473
2015/0335532	A1 *	11/2015	Lizari Illarramendi	B65B 3/003 141/1
2016/0200462	A1 *	7/2016	Kriheli	B65B 3/003 700/214
2017/0008651	A1 *	1/2017	Lizari Illarramendi ..	B65B 3/04

* cited by examiner

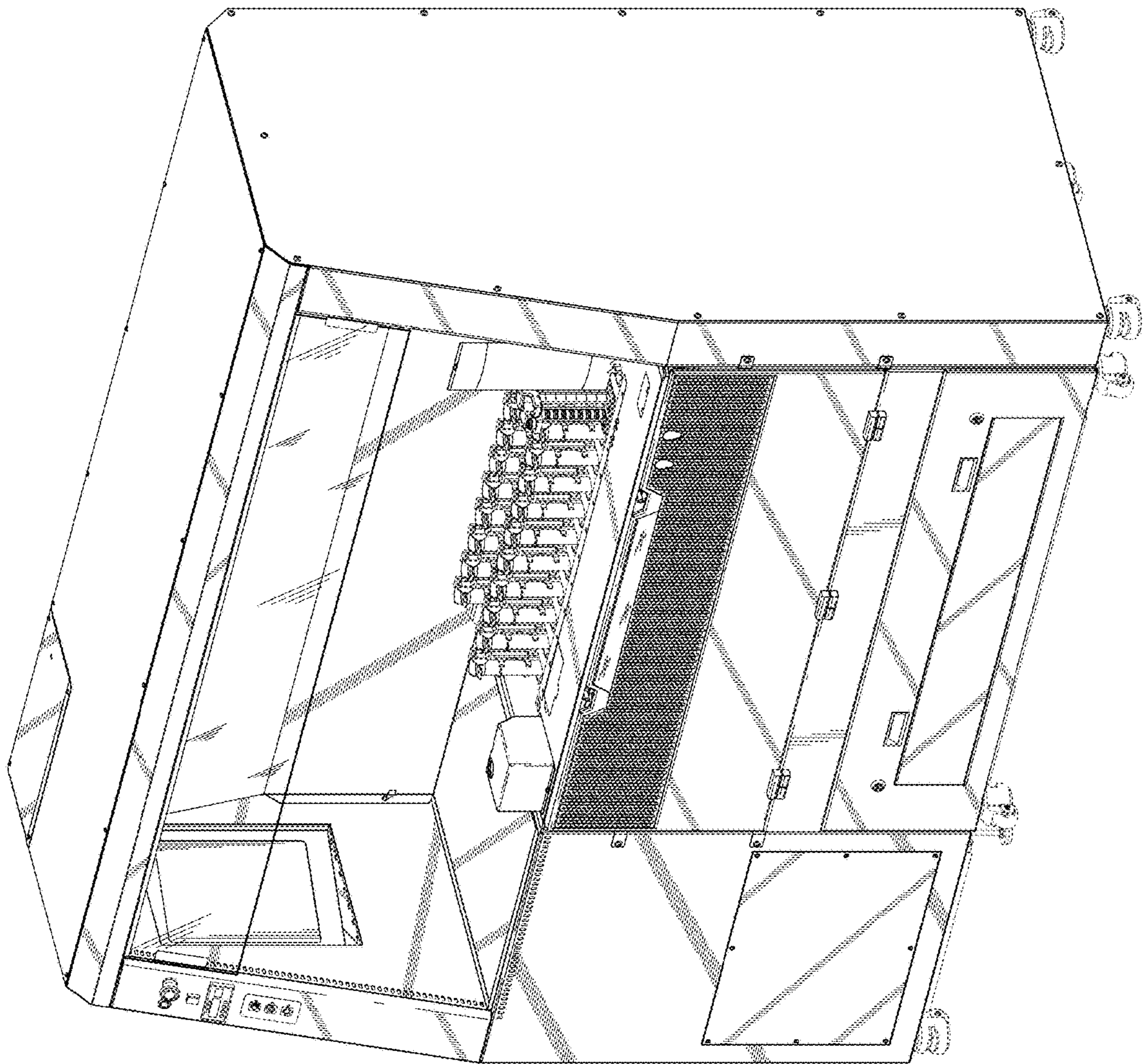


FIG. 1

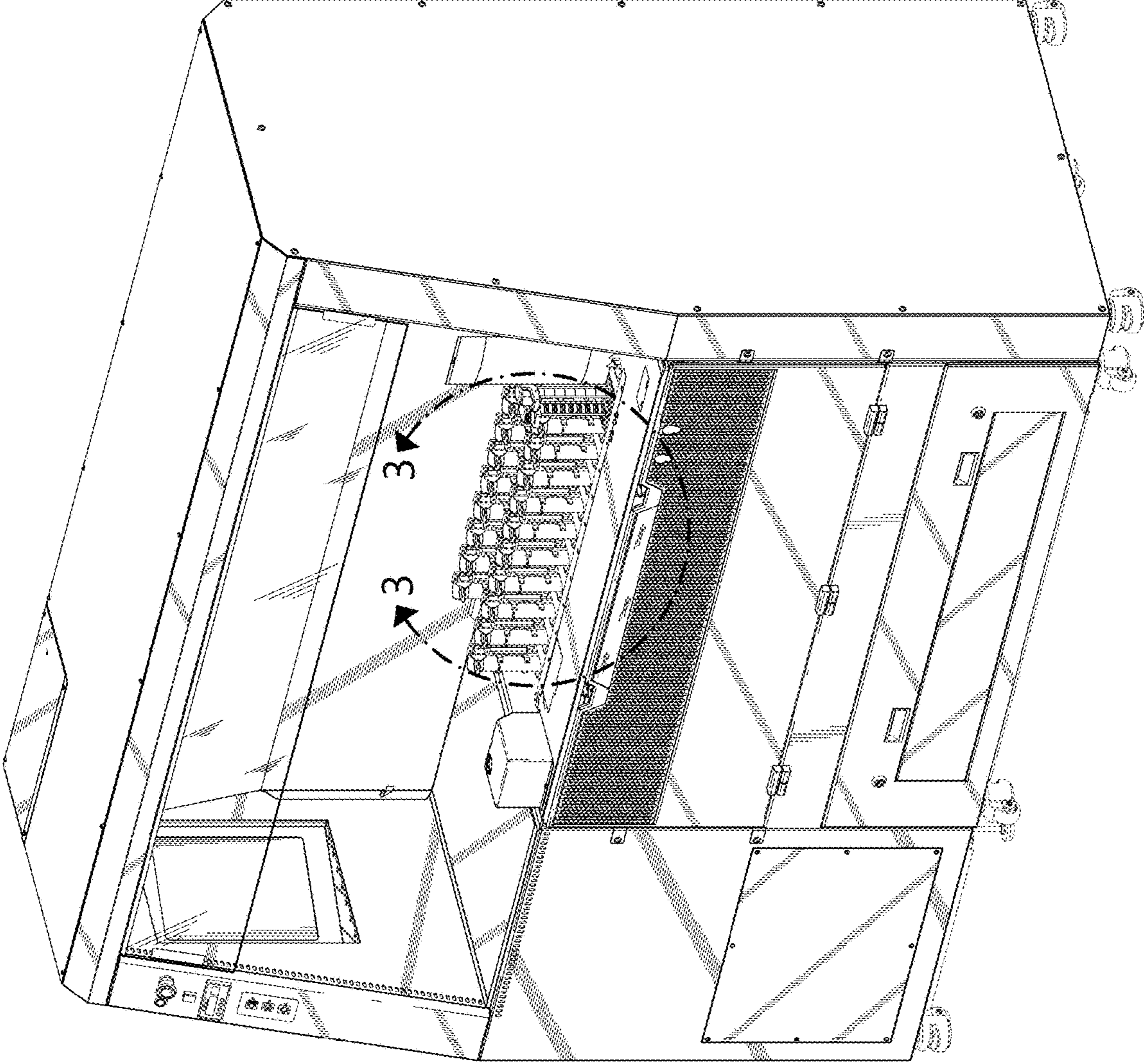


FIG. 2

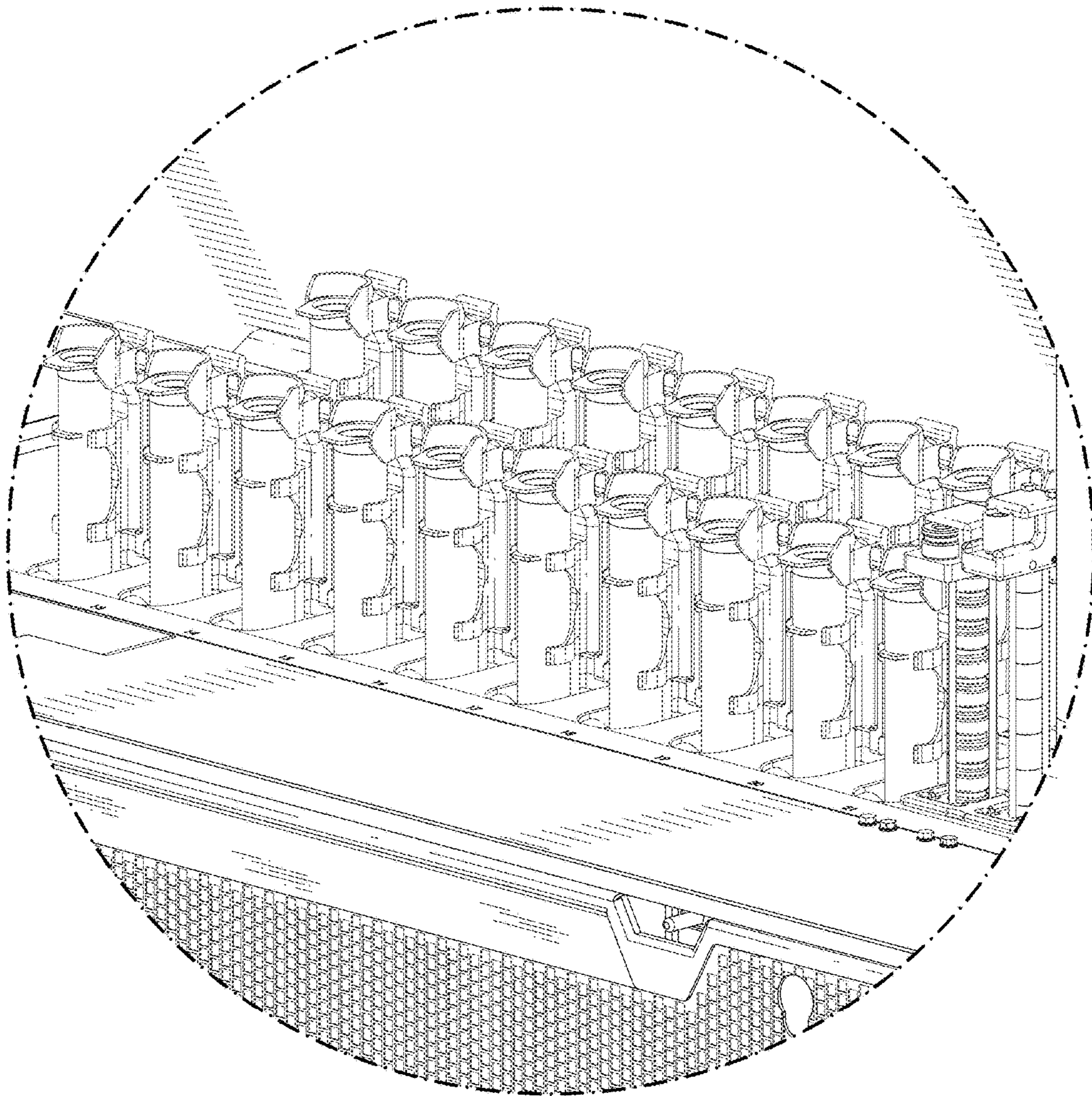


FIG. 3

FIG. 4

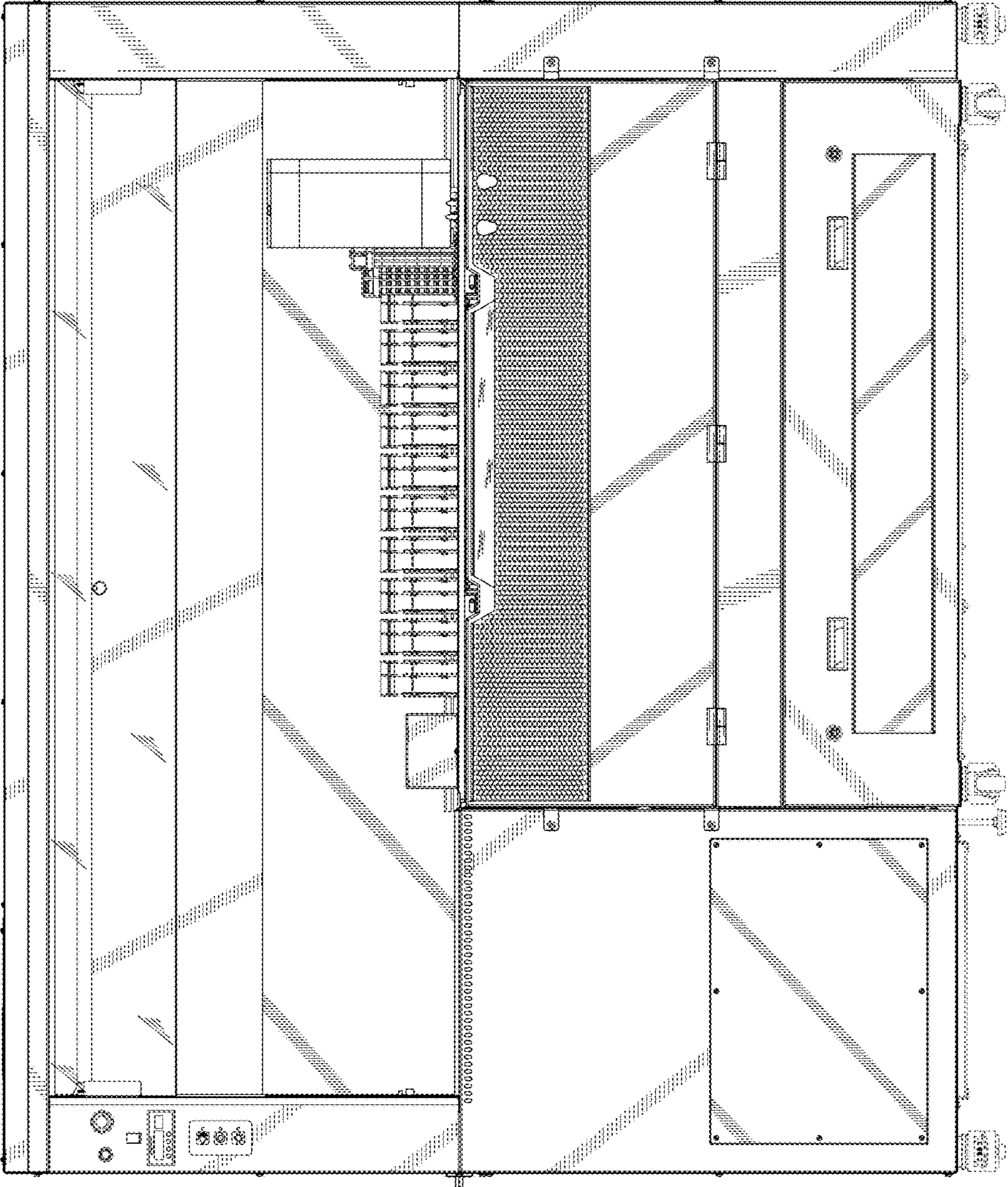
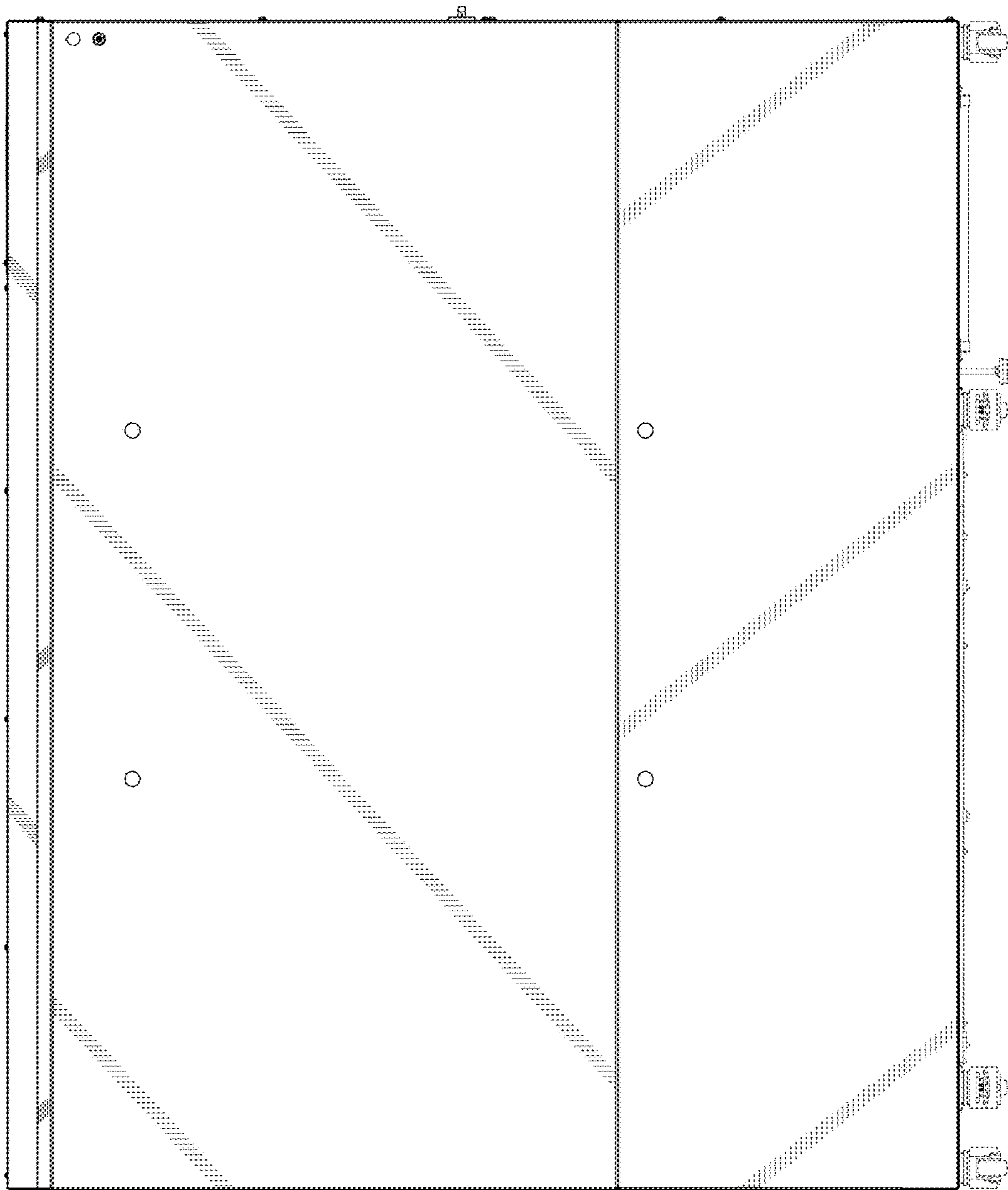


FIG. 5



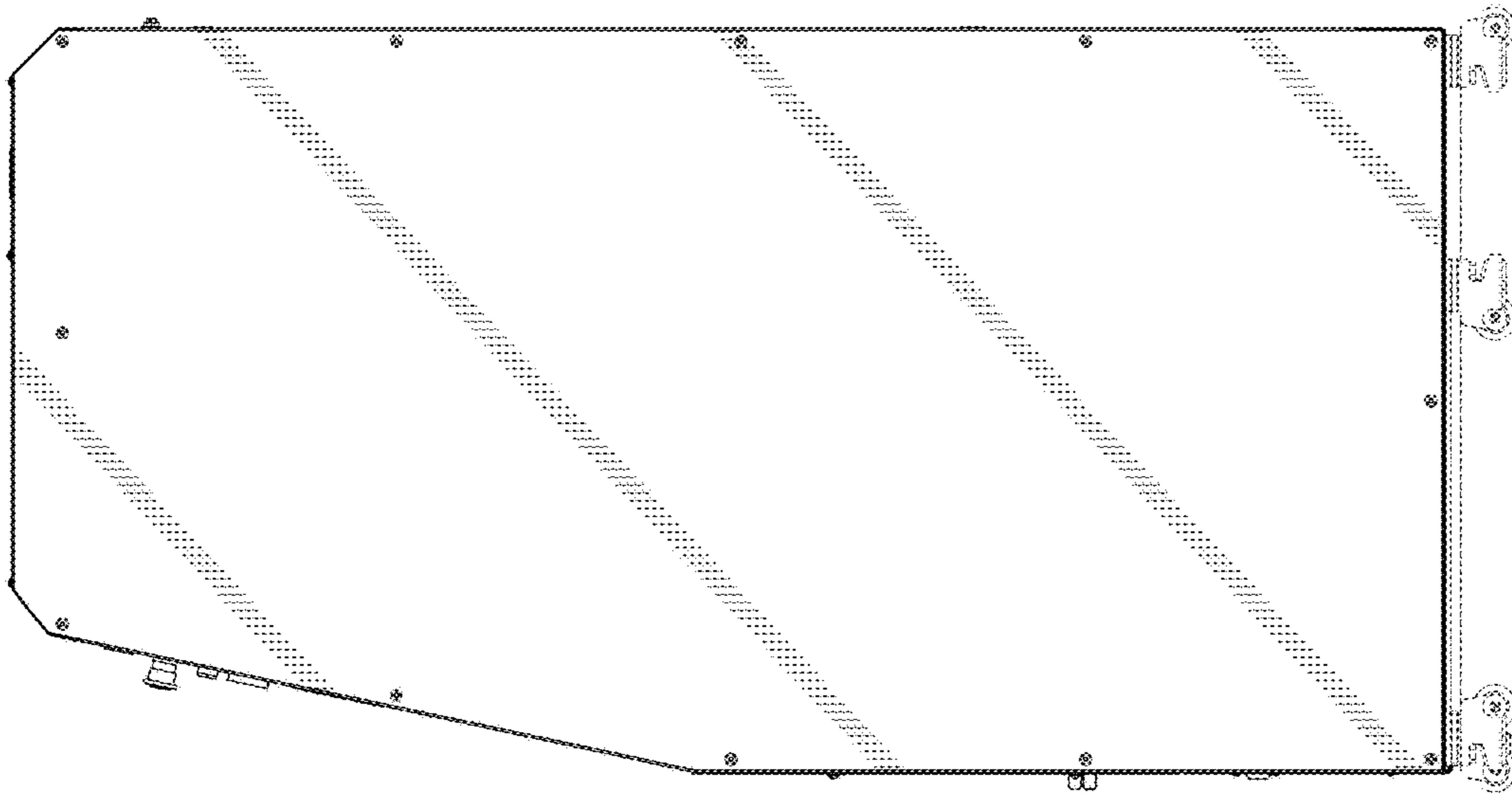


FIG. 6

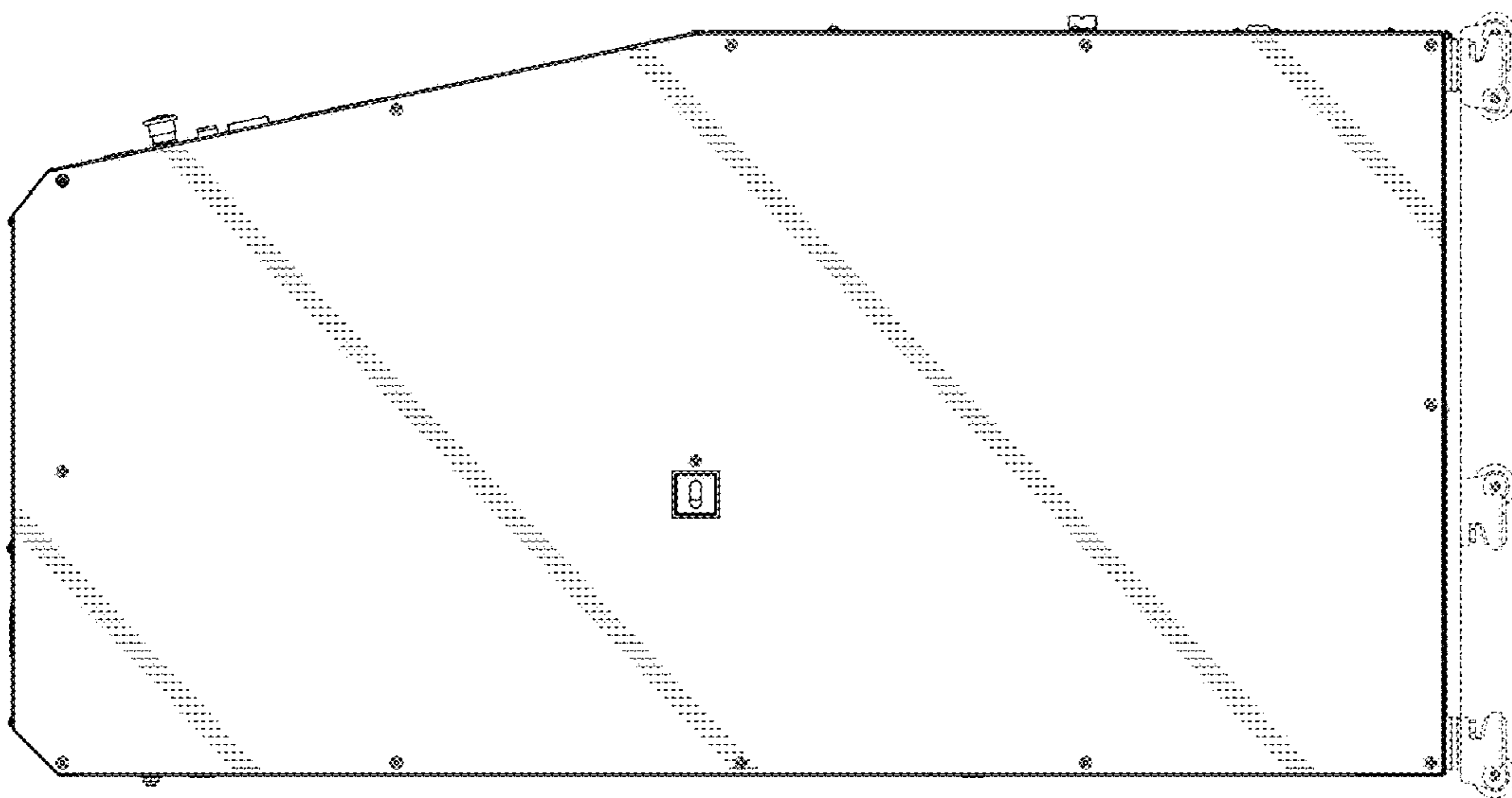


FIG. 7

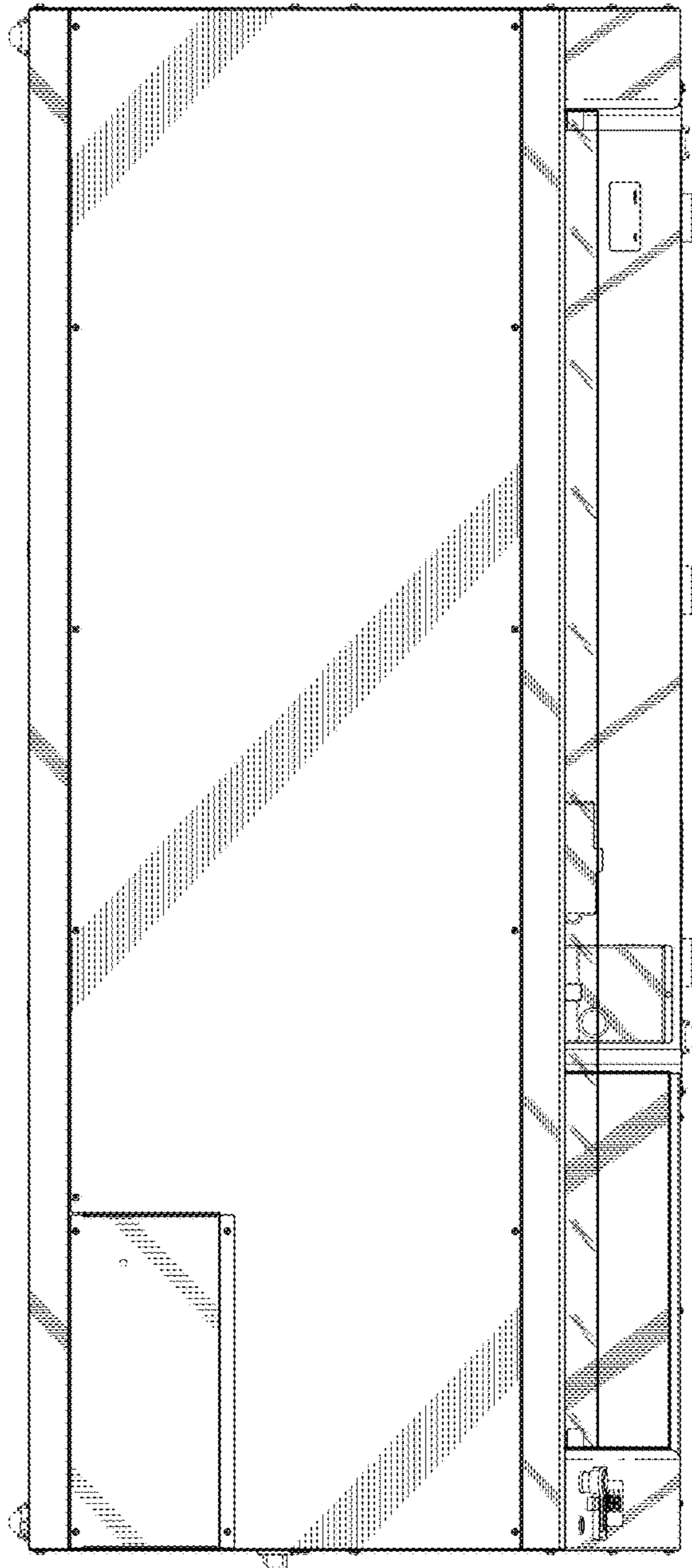


FIG. 8

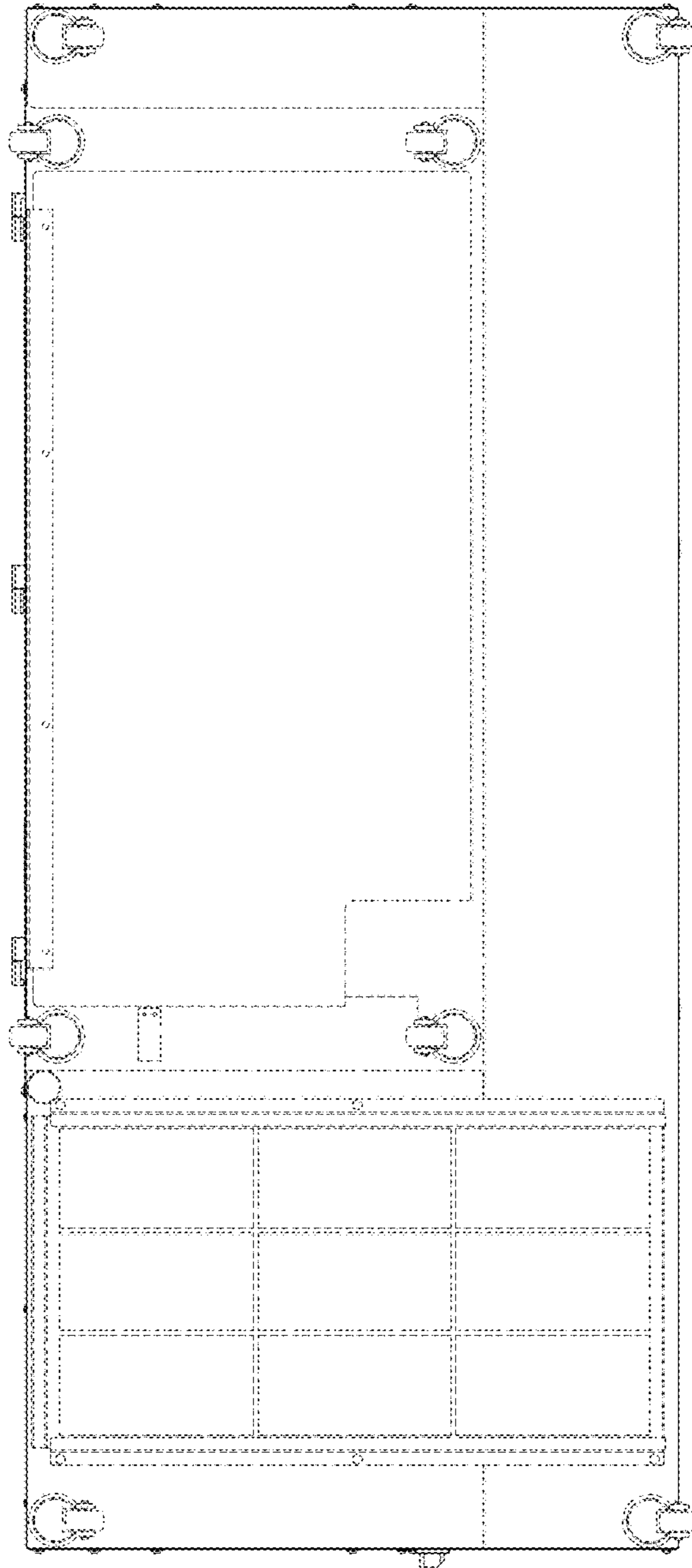


FIG. 9

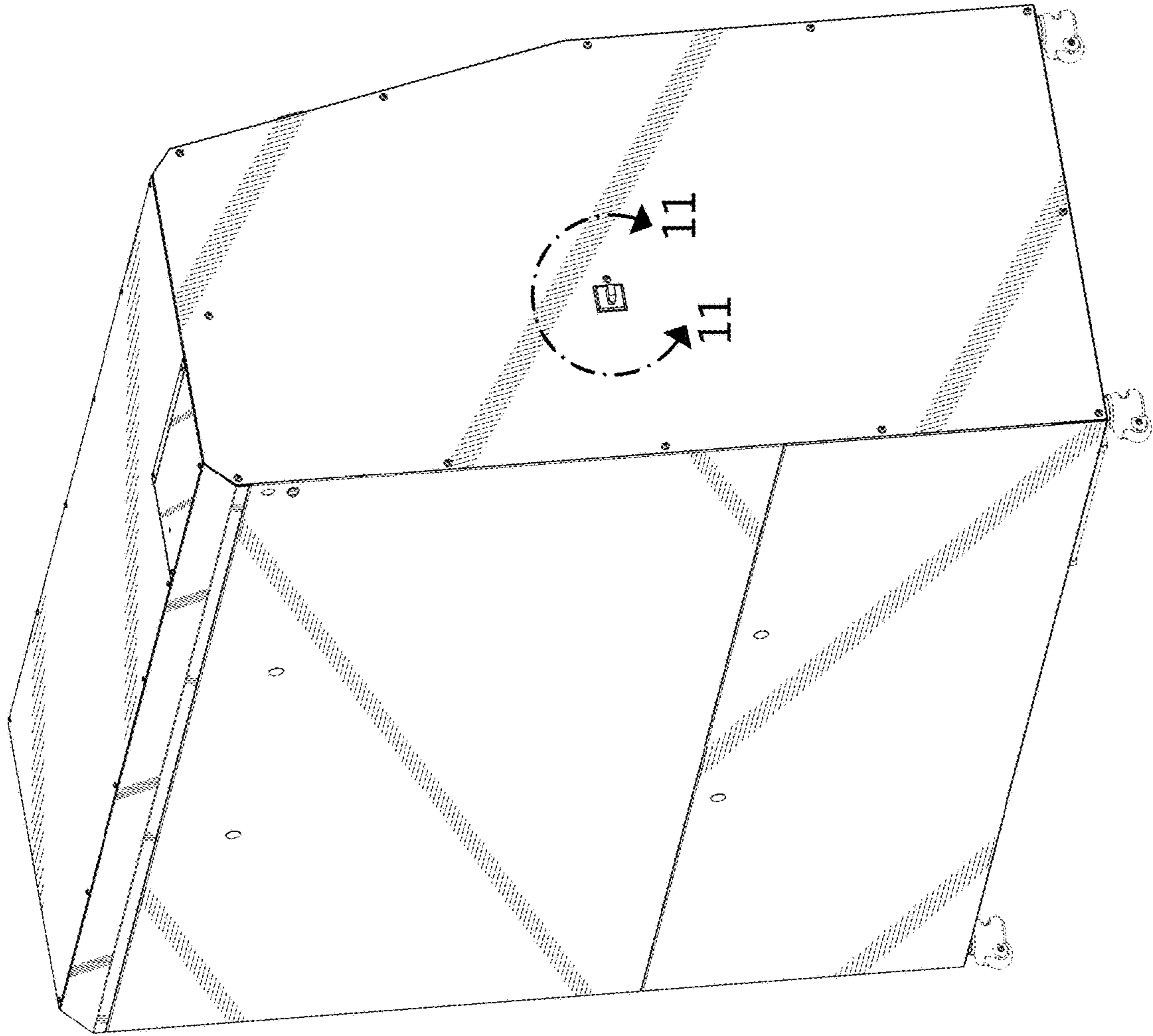


FIG. 10

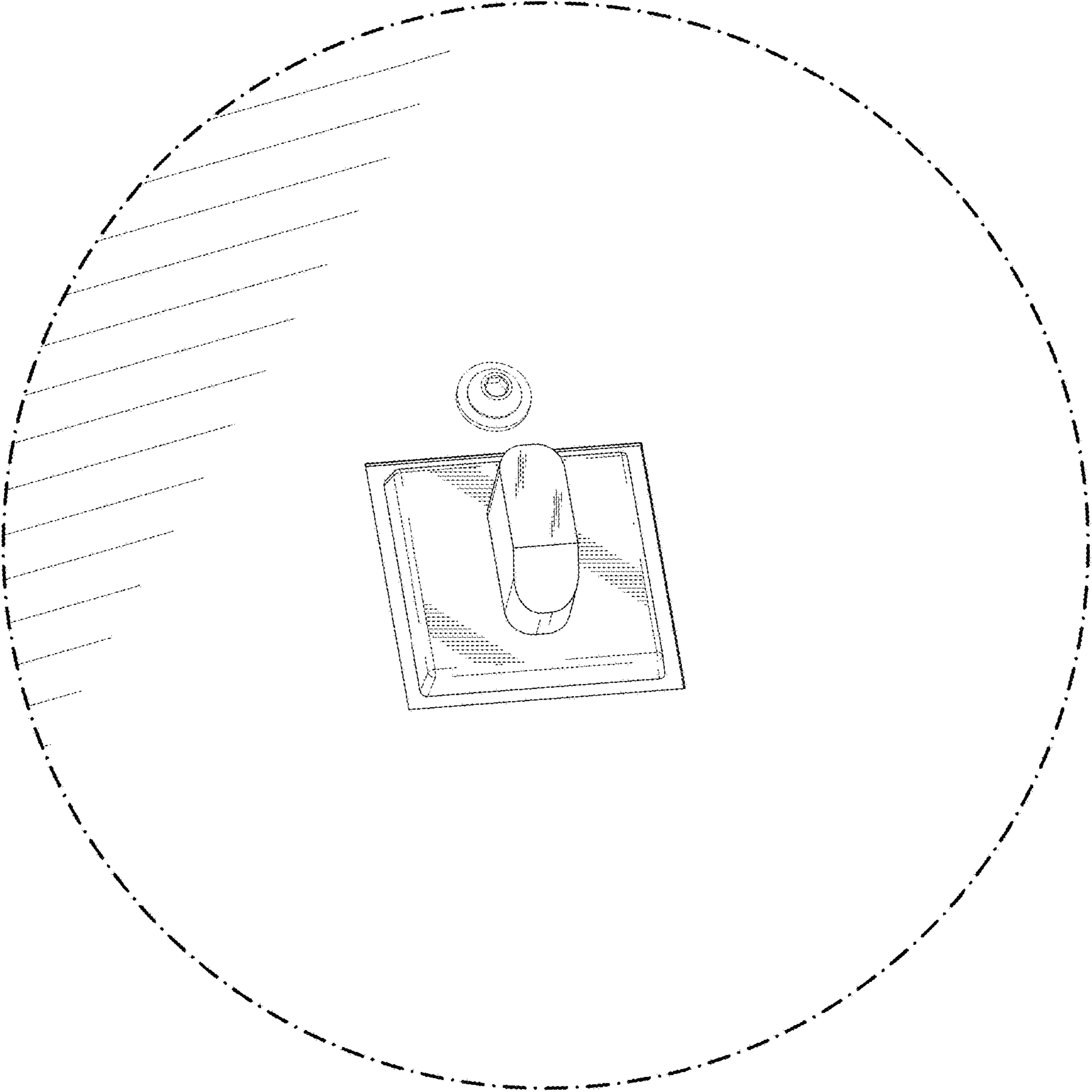


FIG. 11

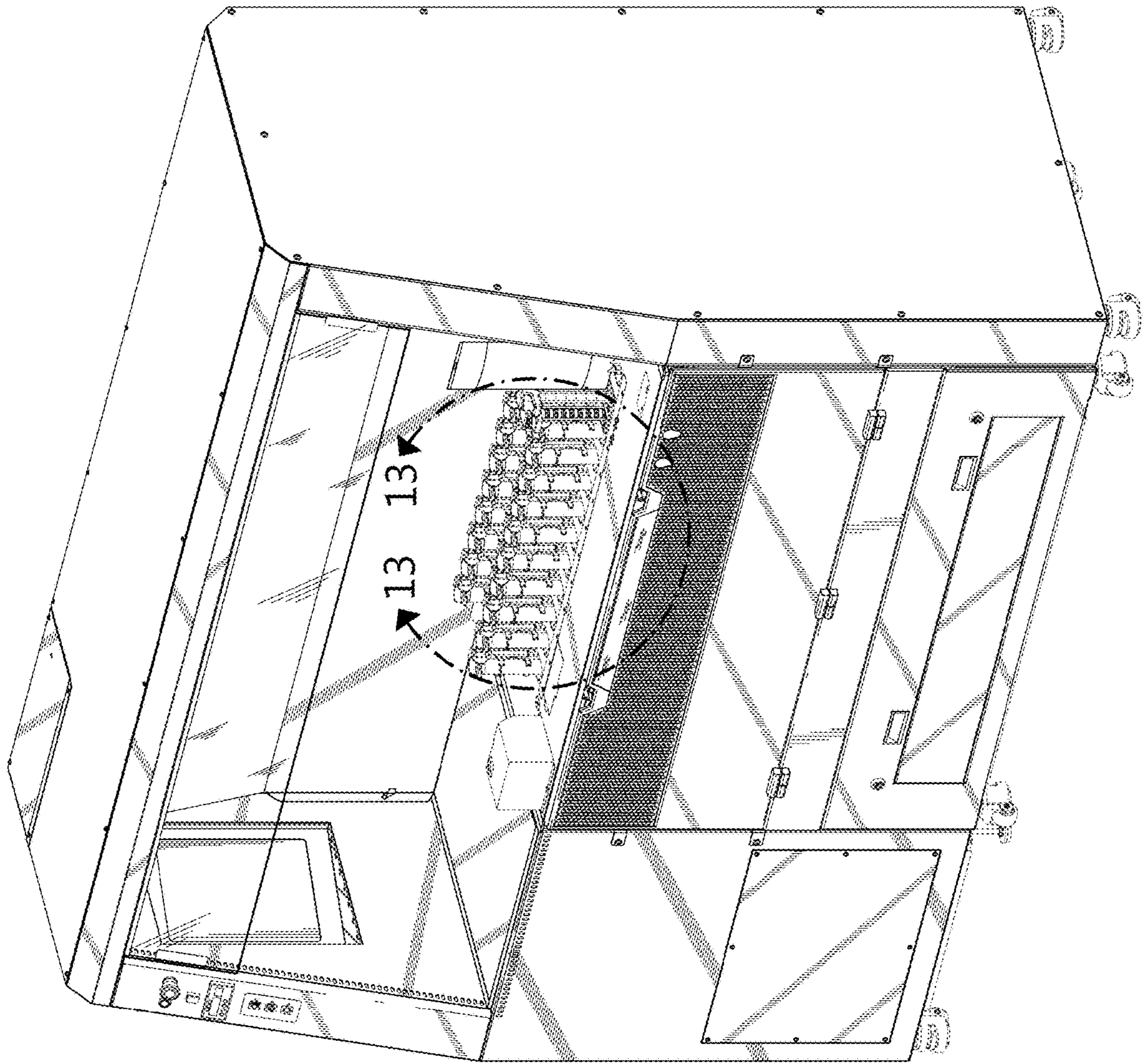


FIG. 12

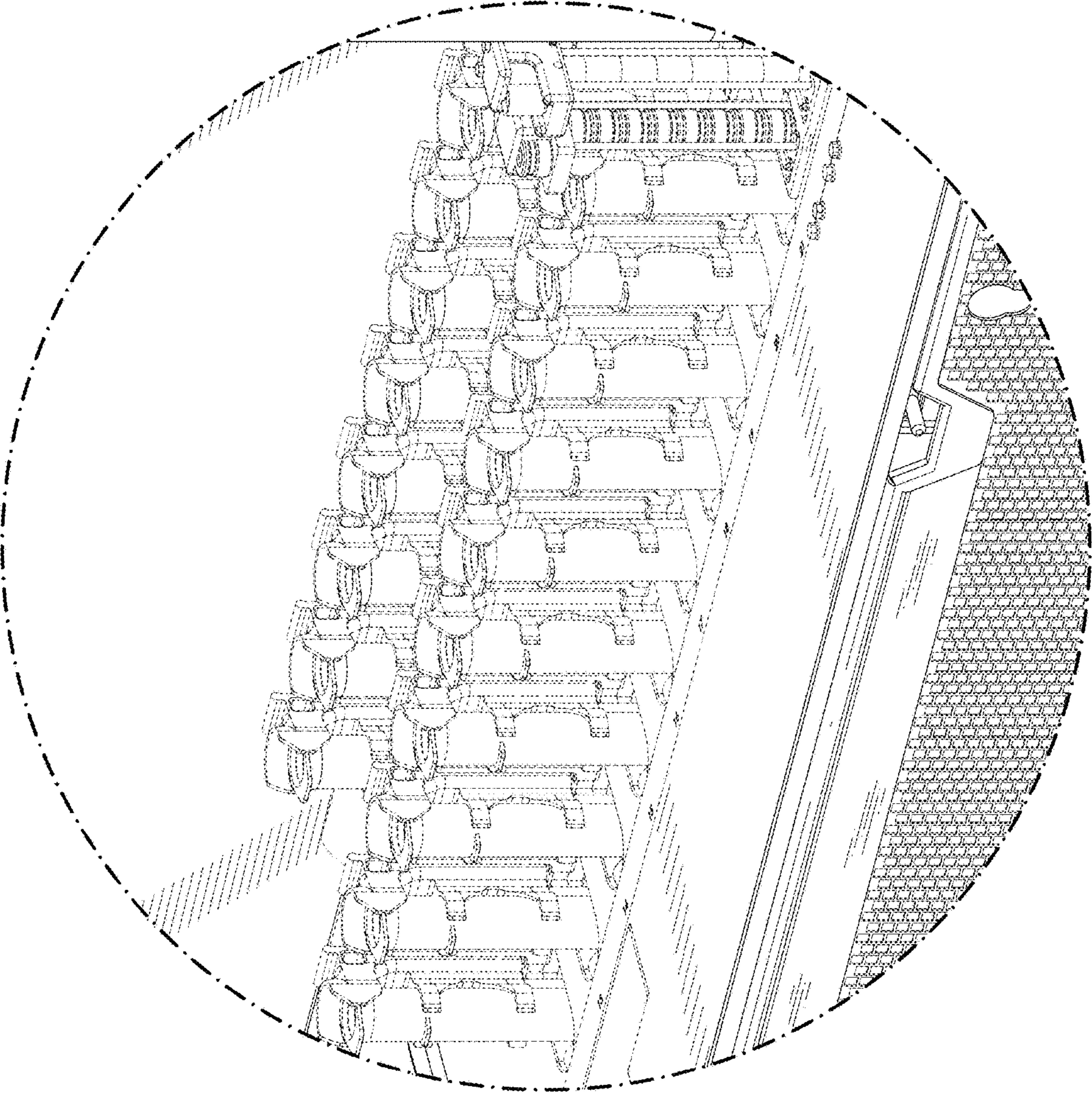


FIG. 13

FIG. 14

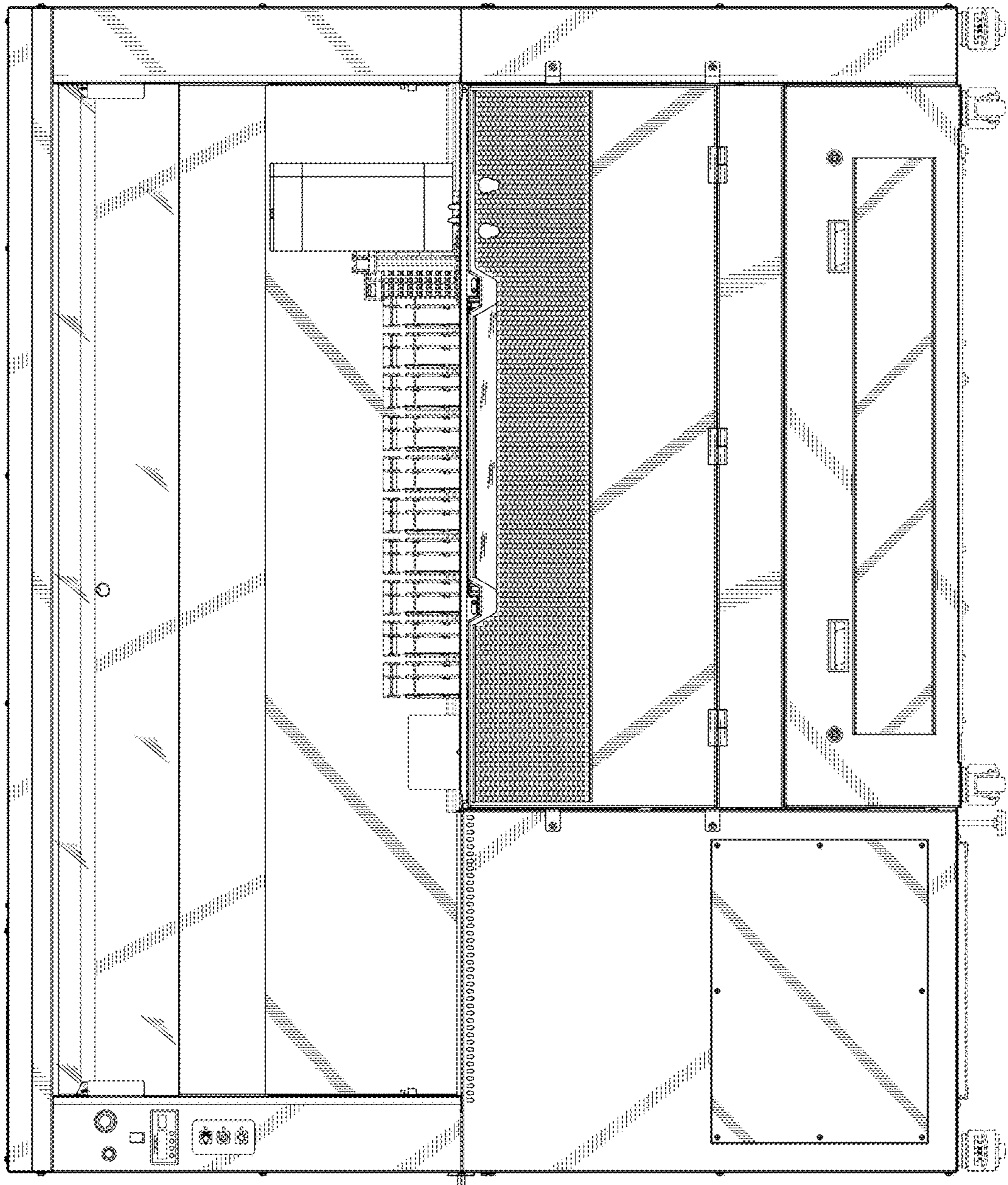
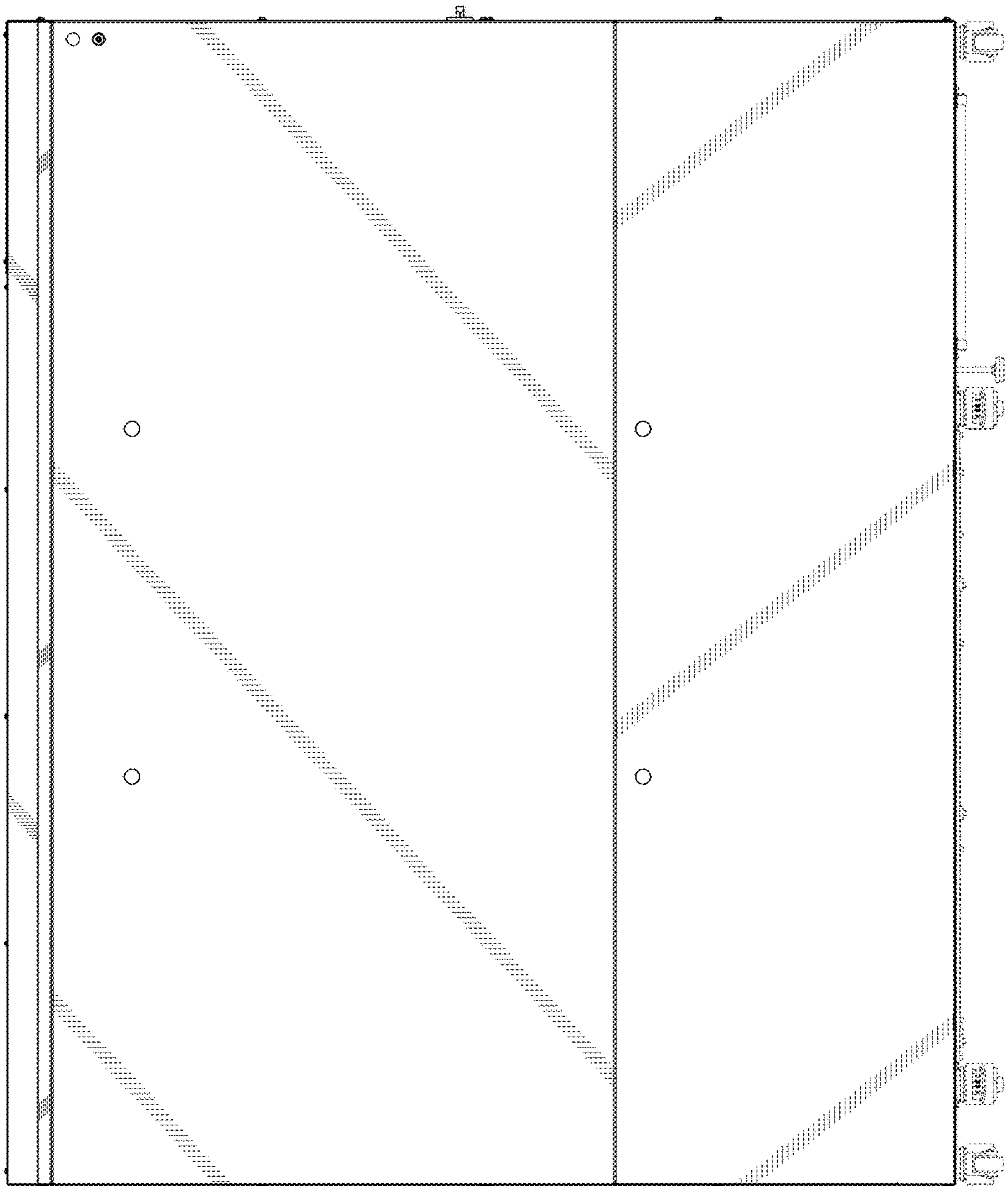


FIG. 15



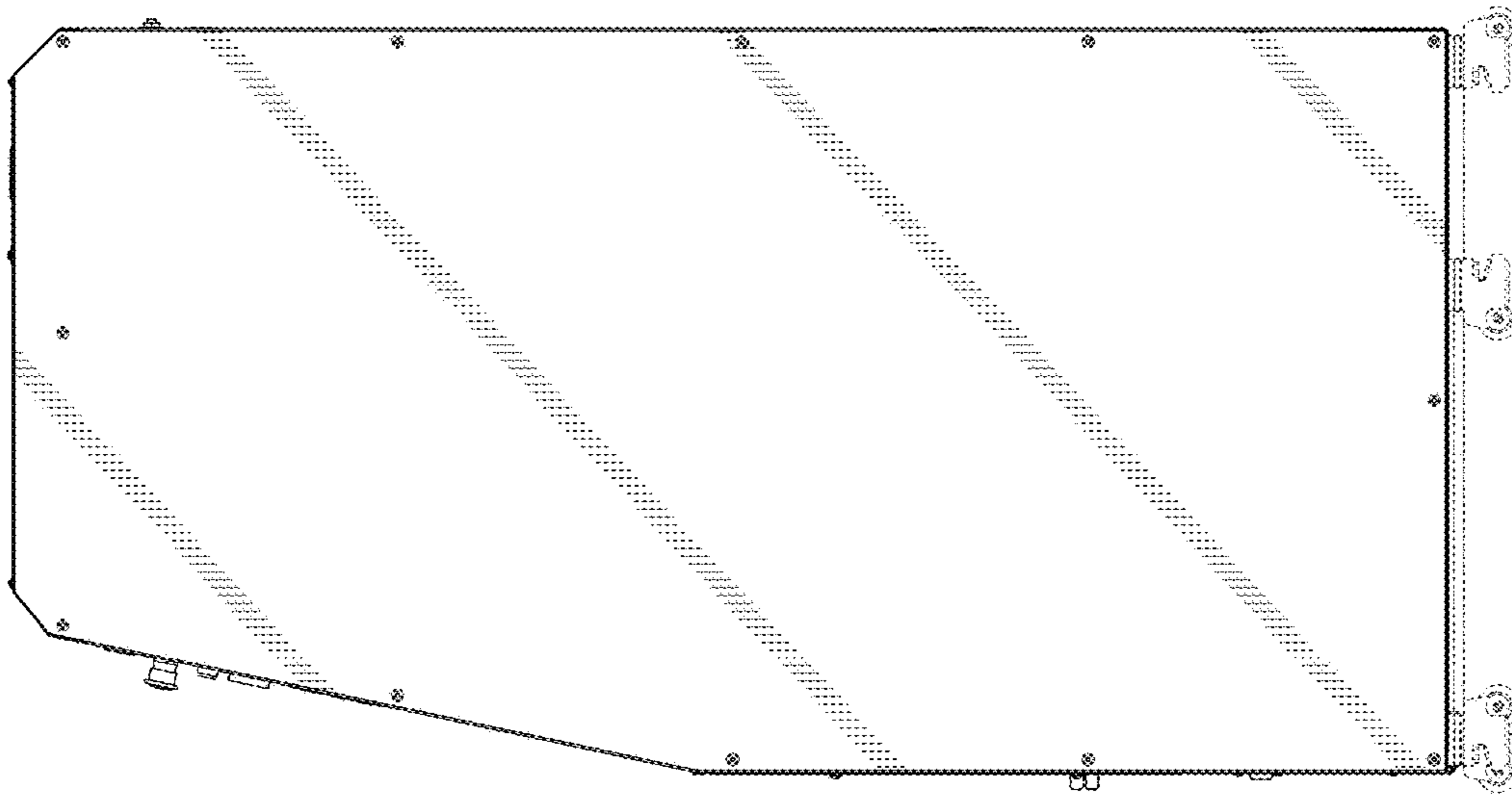


FIG. 17

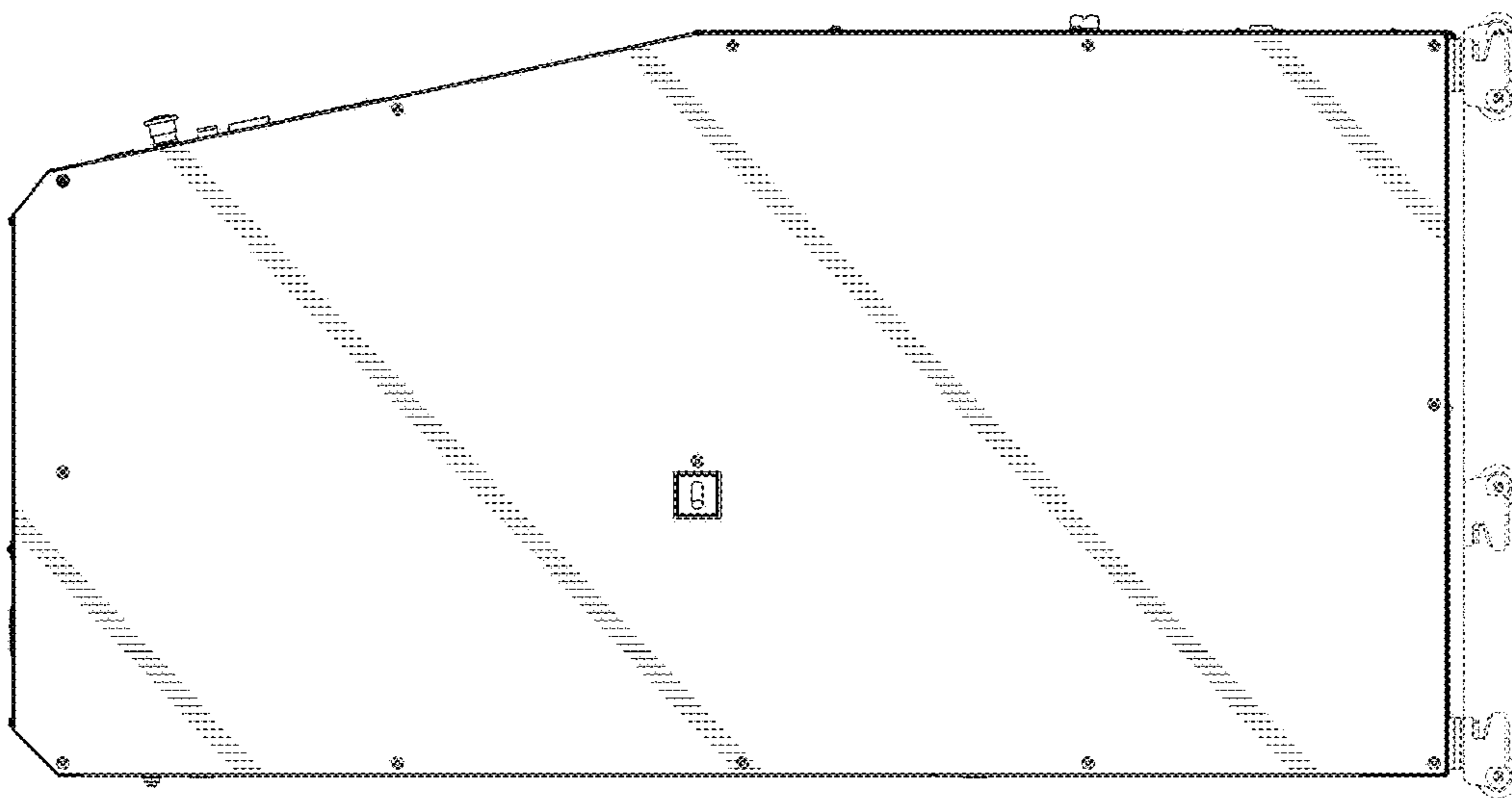


FIG. 16

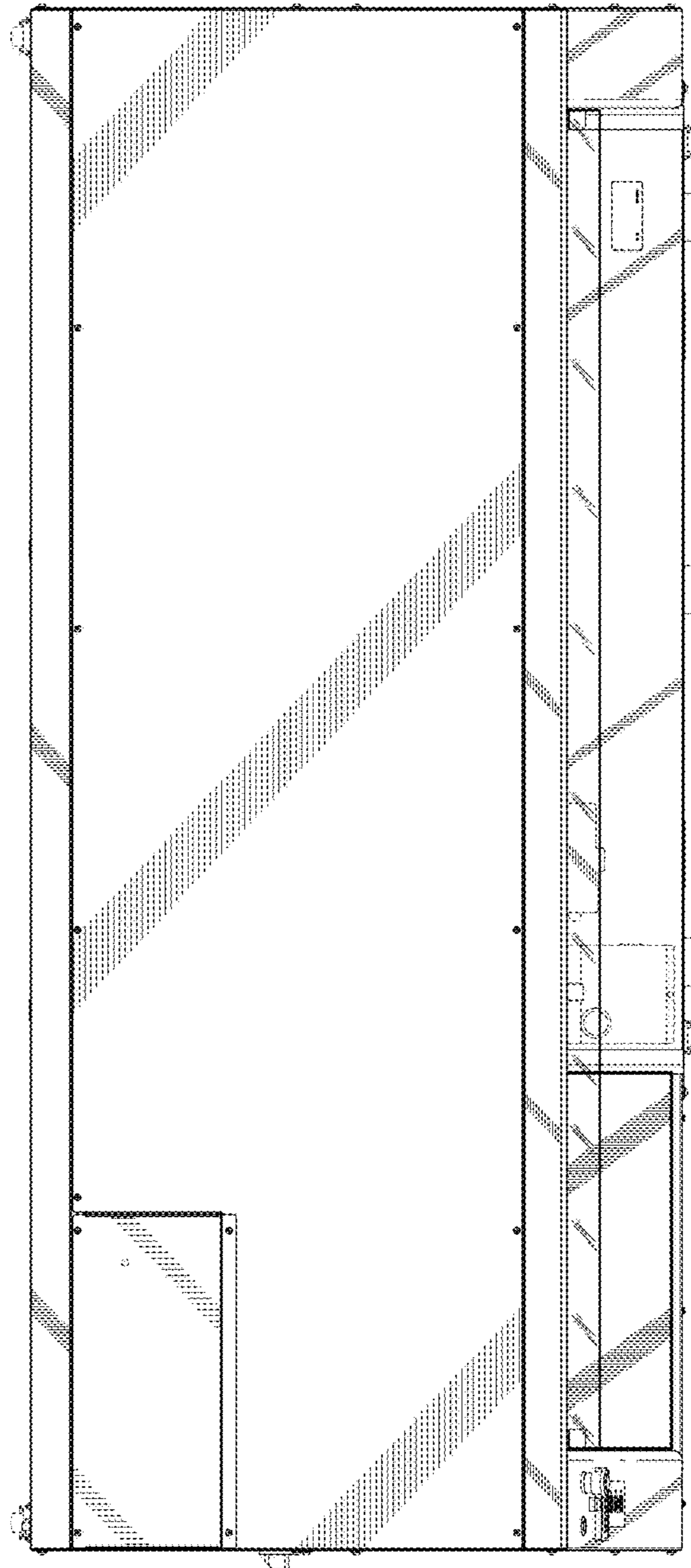


FIG. 18

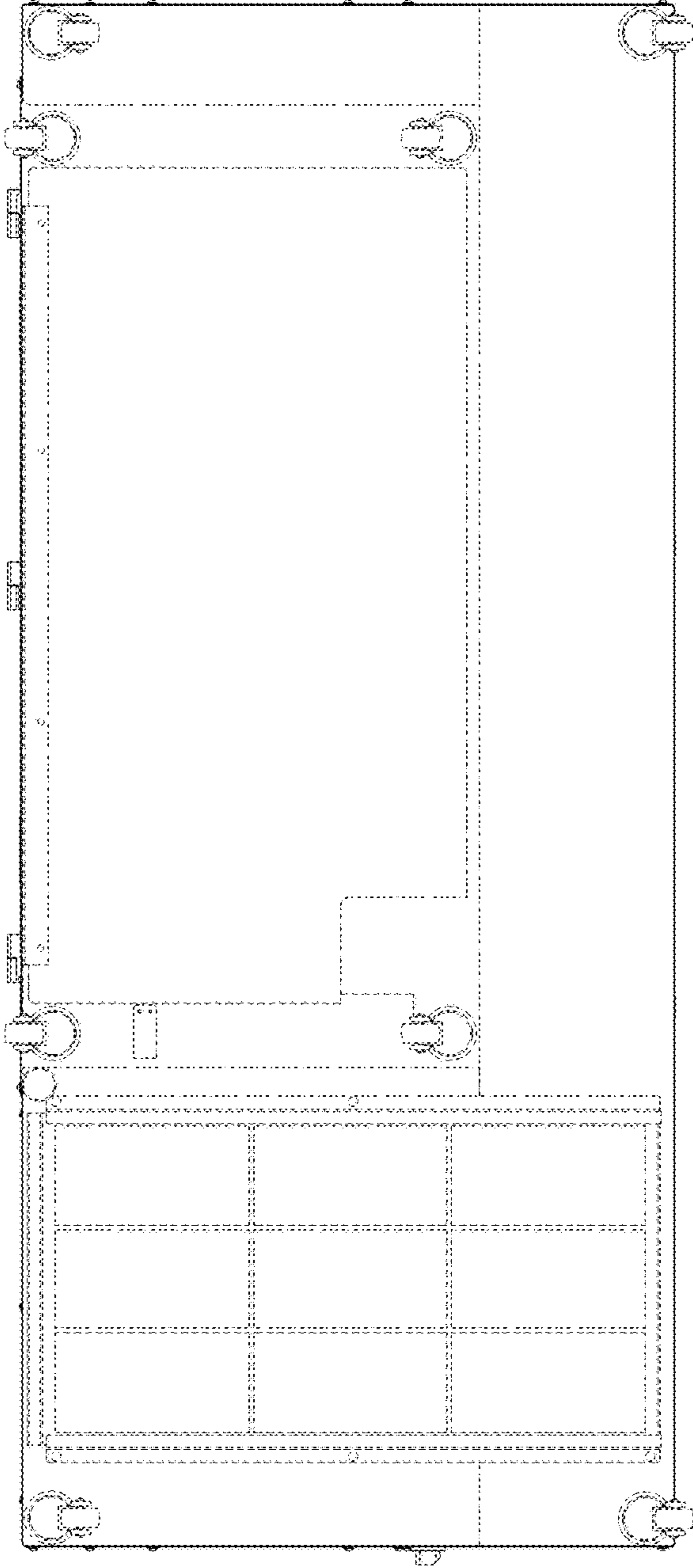


FIG. 19

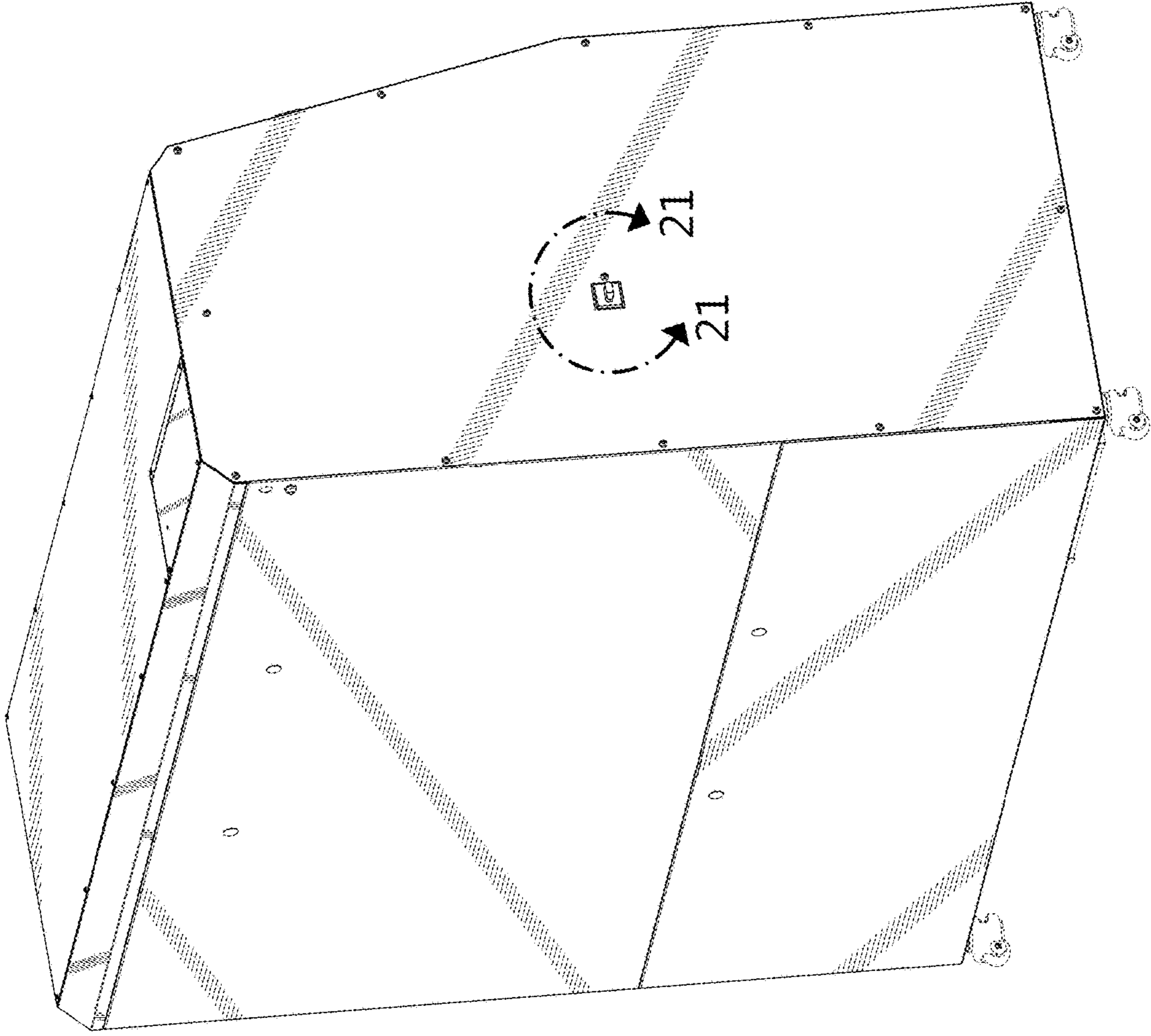


FIG. 20

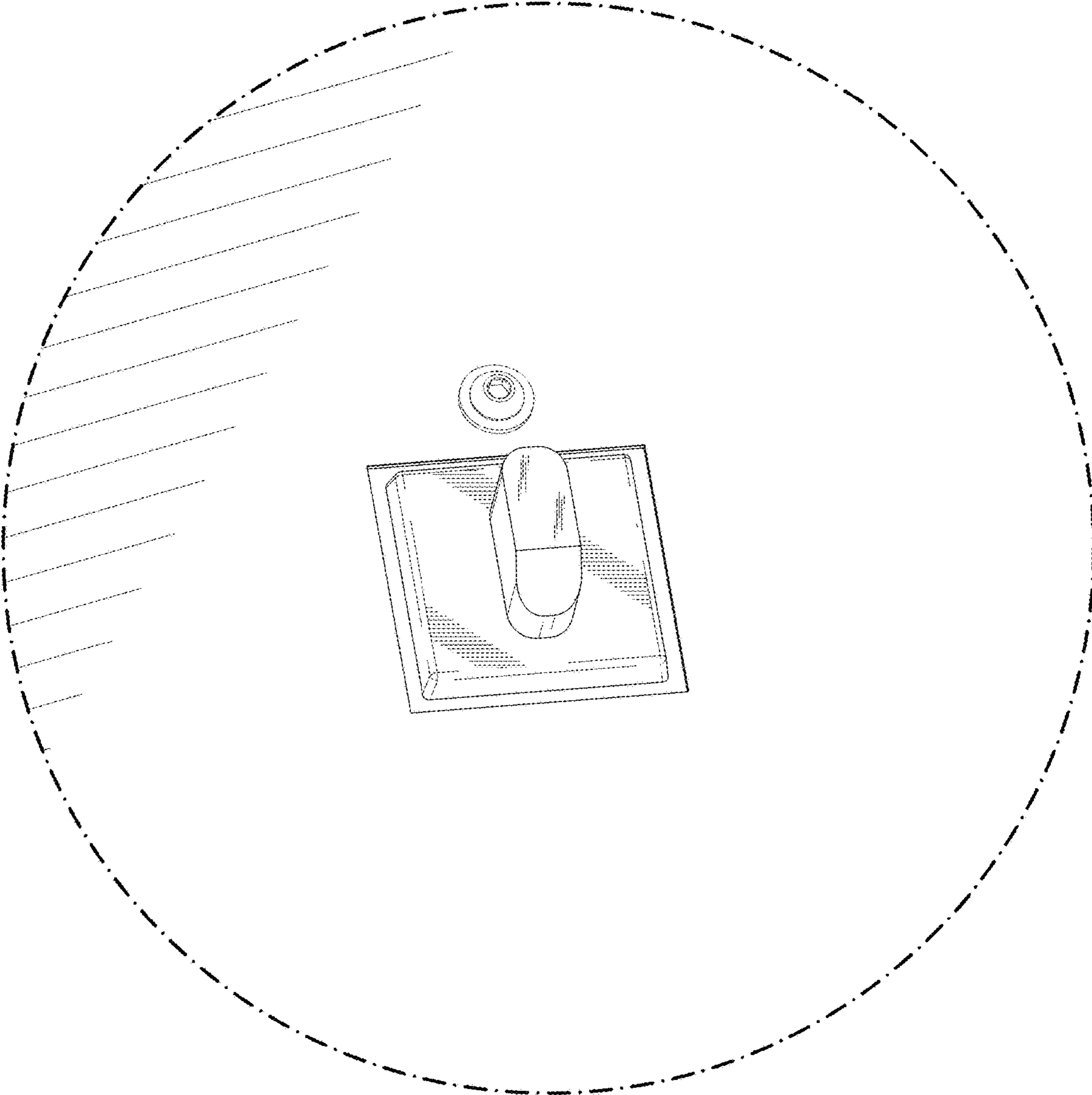


FIG. 21