



US00D833030S

(12) **United States Design Patent** (10) **Patent No.:** **US D833,030 S**
Sasano (45) **Date of Patent:** **** Nov. 6, 2018**

(54) **CARTRIDGE BODY FOR SOLID-PHASE EXTRACTION**

(71) Applicant: **AISTI SCIENCE CO., Ltd.**,
Wakayama-shi, Wakayama (JP)

(72) Inventor: **Ryoichi Sasano**, Wakayama (JP)

(73) Assignee: **AISTI SCIENCE CO., LTD.**,
Wakayama-shi (JP)

(**) Term: **15 Years**

(21) Appl. No.: **29/606,701**

(22) Filed: **Jun. 7, 2017**

(30) **Foreign Application Priority Data**

Dec. 8, 2016 (JP) 2016-026612

(51) **LOC (11) Cl.** **24-02**

(52) **U.S. Cl.**
USPC **D24/224; D10/103**

(58) **Field of Classification Search**
USPC D10/103; D24/224
CPC G01N 1/4005; G01N 30/14; G01N 1/405;
G01N 30/08; G01N 30/06; G01N
30/6091; G01N 2030/009; B01D 15/22;
B01L 3/0275; B01L 2200/0631; B01L
3/54; B01L 3/545; B01L 3/5453; B01L
3/56; B01L 3/561

See application file for complete search history.

(56) **References Cited**

U.S. PATENT DOCUMENTS

5,439,593 A * 8/1995 Price B01D 15/08
210/236
D511,214 S * 11/2005 Sasano D10/103
D519,868 S * 5/2006 Sasano D10/103

D649,405 S * 11/2011 Lingo D24/224
D723,181 S * 2/2015 Kawamura D24/224
D767,159 S * 9/2016 Maas D24/224
D777,341 S * 1/2017 Oguro D24/224
2007/0240777 A1* 10/2007 Sasano G01N 30/603
137/801
2016/0252435 A1* 9/2016 Sasano G01N 1/405
73/863.23

* cited by examiner

Primary Examiner — Antoine D Davis

(74) *Attorney, Agent, or Firm* — Westerman, Hattori,
Daniels & Adrian, LLP

(57) **CLAIM**

The ornamental design for a cartridge body for solid-phase extraction, as shown and described.

DESCRIPTION

FIG. 1 is an isometric view of a cartridge body for solid-phase extraction;
FIG. 2 is a front elevational view thereof;
FIG. 3 is a rear elevational view thereof;
FIG. 4 is a left side elevational view thereof;
FIG. 5 is a right side elevational view thereof;
FIG. 6 is a top plan view thereof;
FIG. 7 is a bottom plan view thereof;
FIG. 8 is a cross-sectional view thereof, taken along lines VIII-VIII of FIG. 6;
FIG. 9 is a cross-sectional view thereof, shown with a lower frit, a solid phase filler, and an upper frit disposed inside;
FIG. 10 is an isometric view thereof;
FIG. 11 is a front elevational view thereof; and,
FIG. 12 is an isometric view of the exterior thereof.
The cartridge body for solid-phase extraction is translucent. The showing of a lower frit, a solid phase filler, and an upper frit is for the purpose of illustrating environment and forms no part of the claimed design.

1 Claim, 12 Drawing Sheets

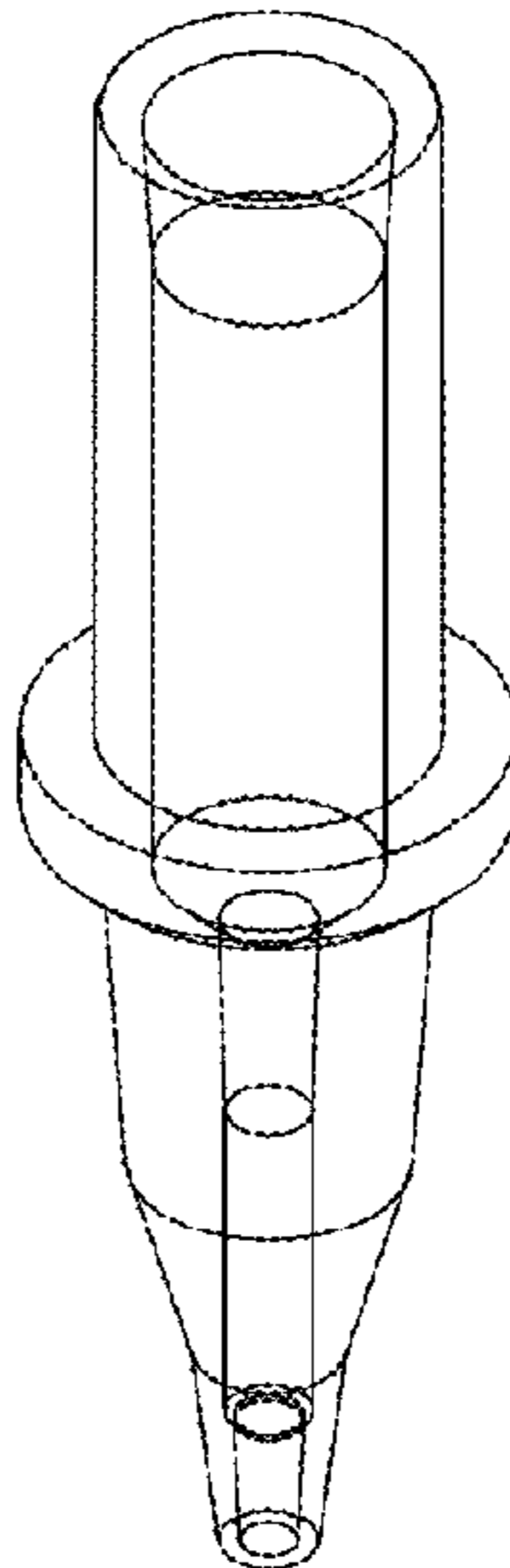


FIG. 1

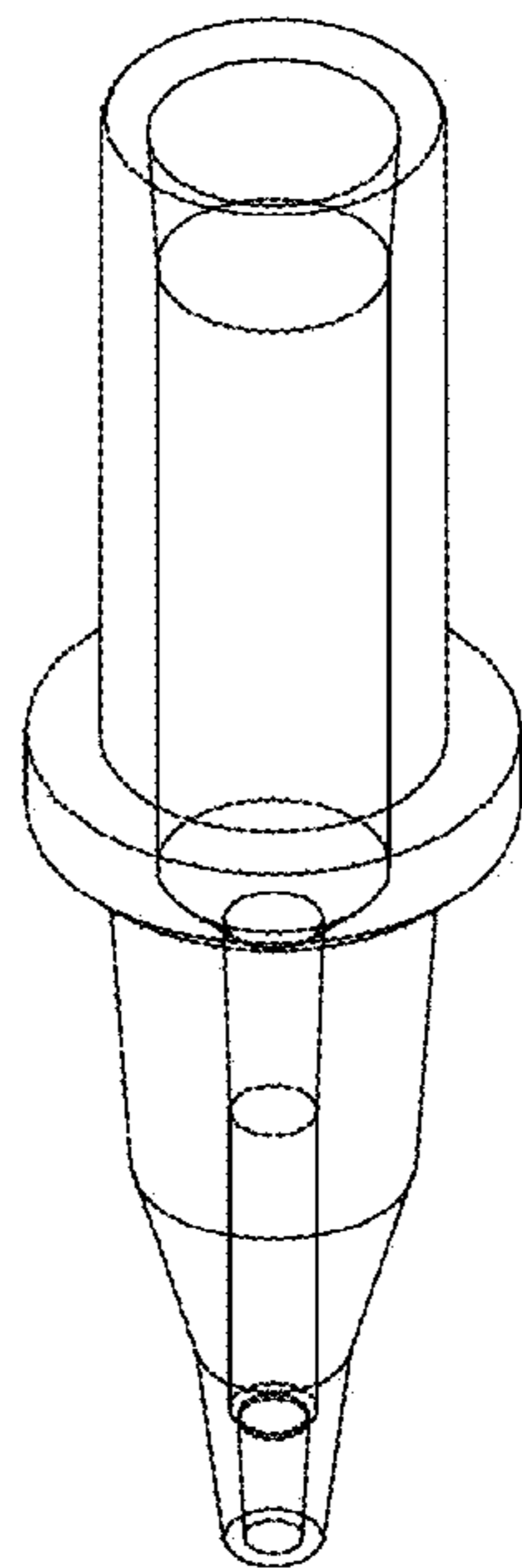


FIG. 2

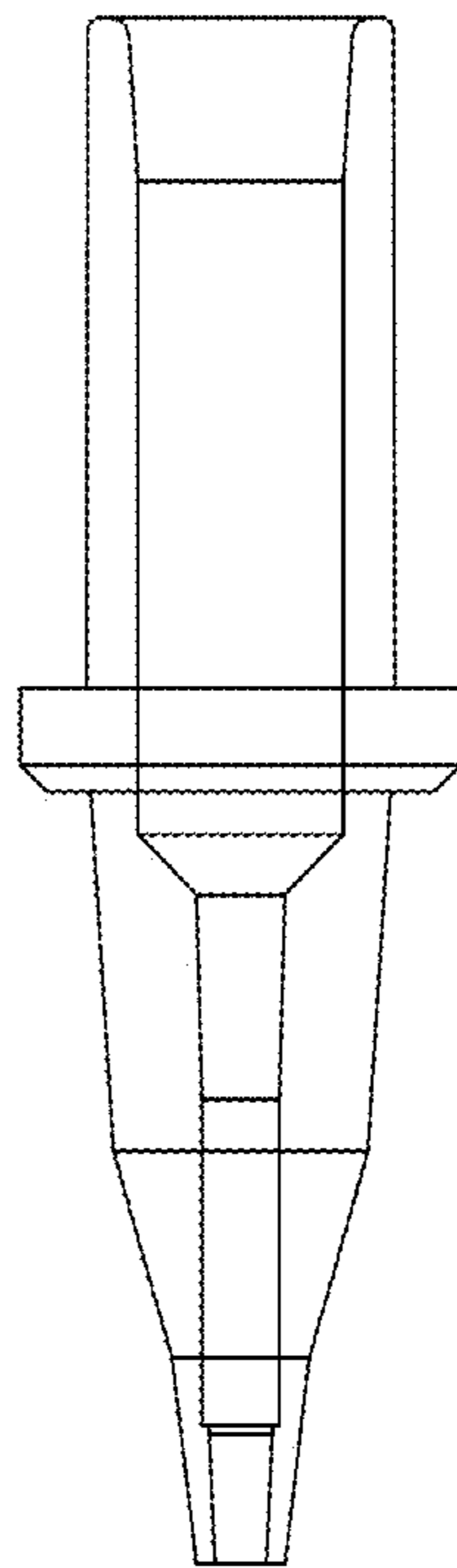


FIG. 3

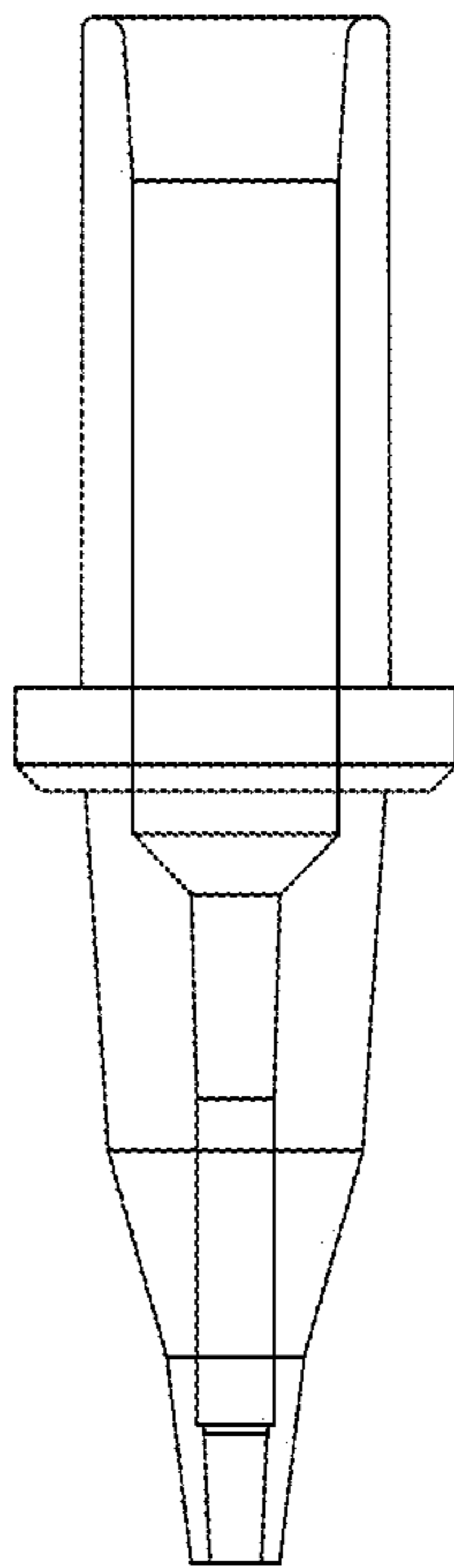


FIG. 4

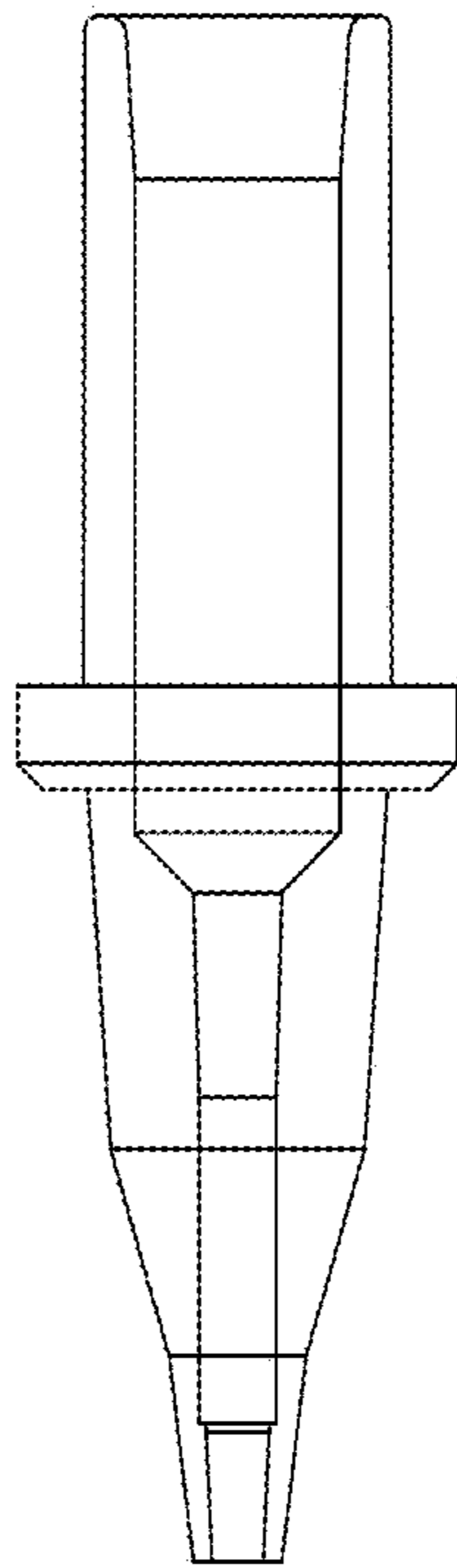


FIG. 5

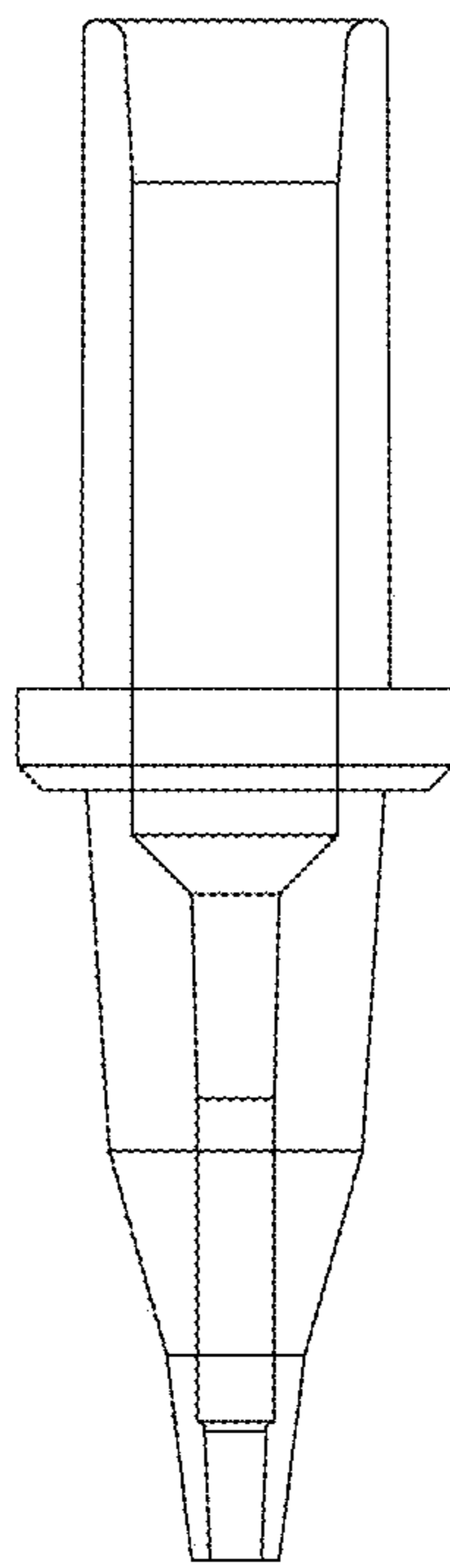


FIG. 6

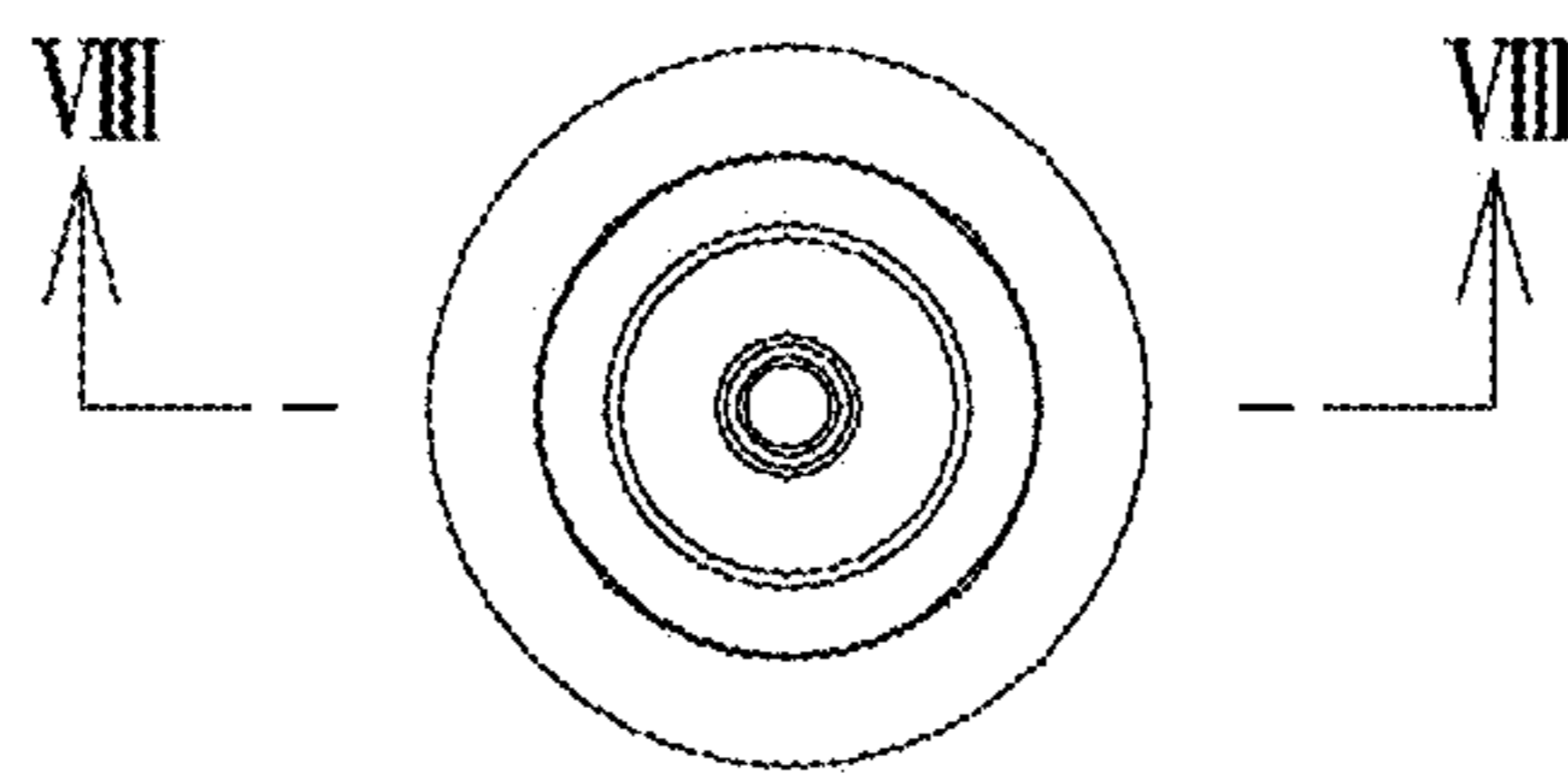


FIG. 7

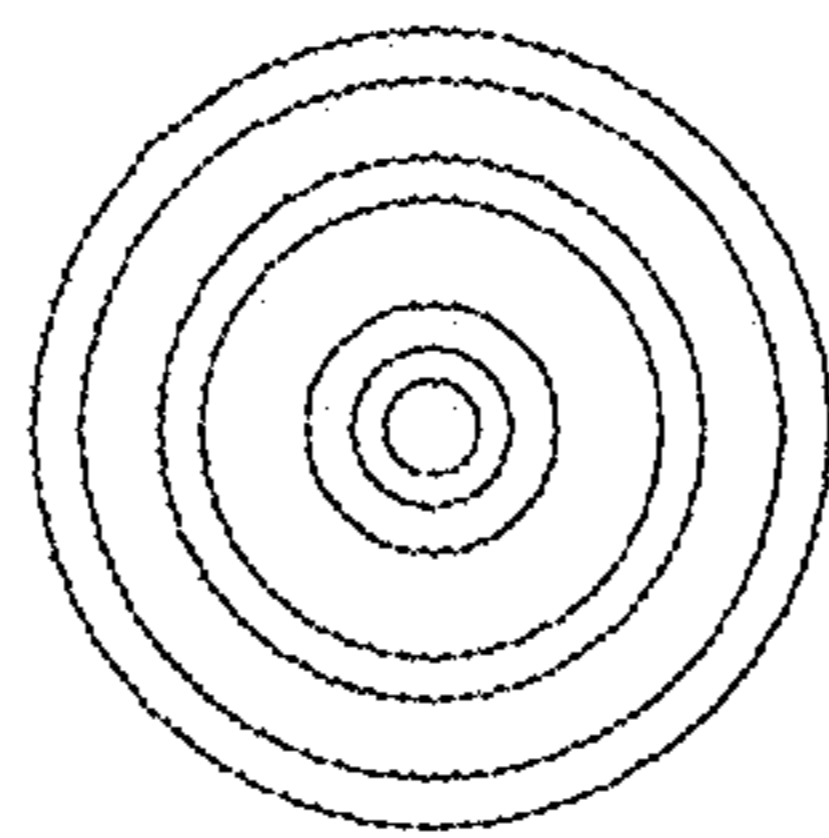


FIG. 8

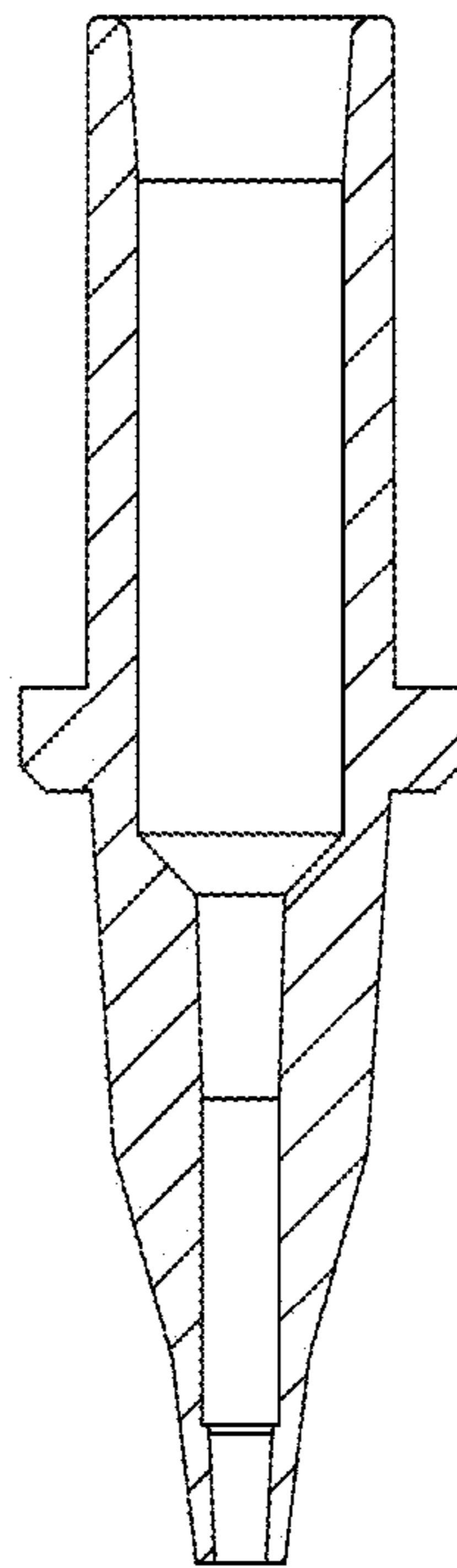


FIG. 9

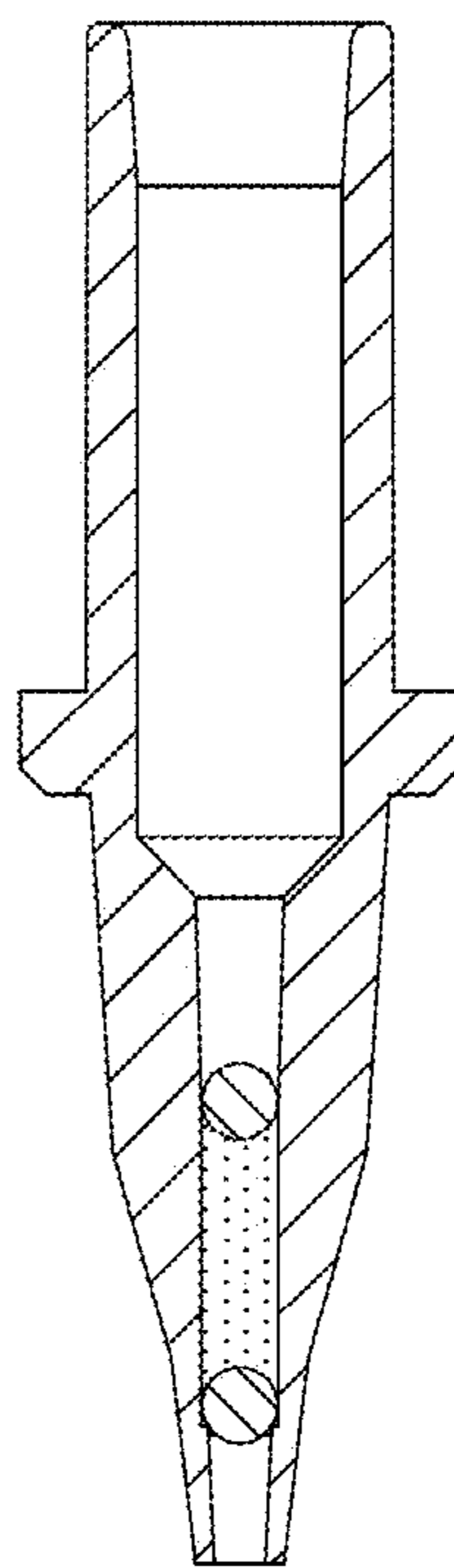


FIG. 10

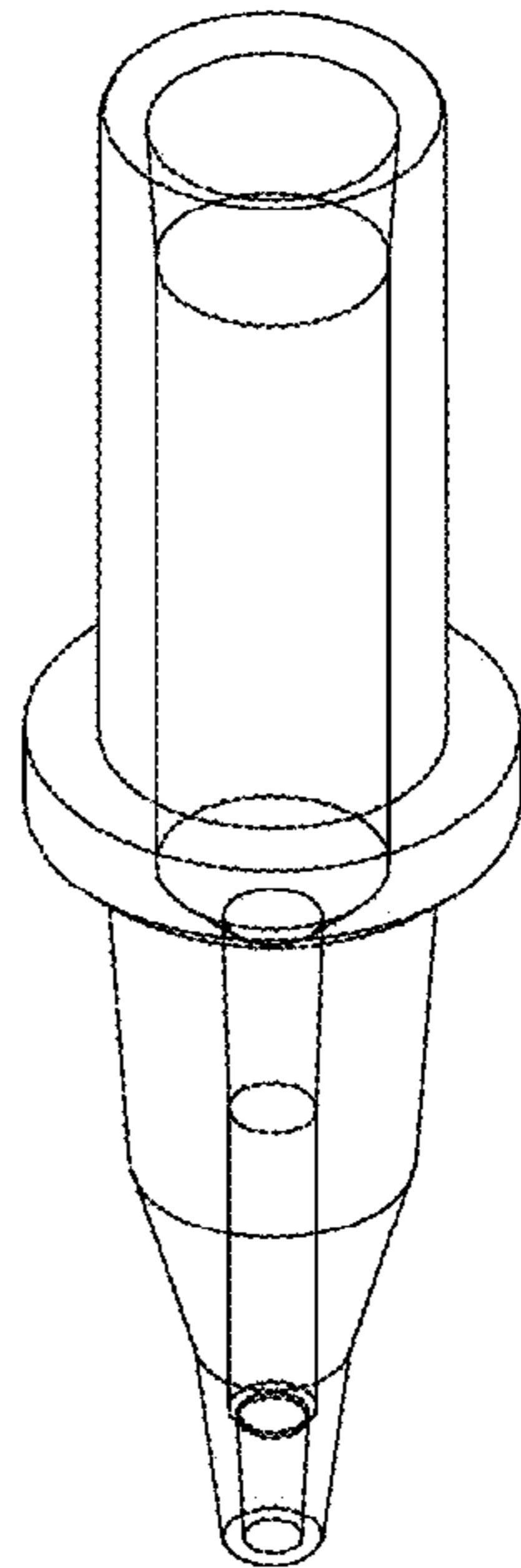


FIG. 11

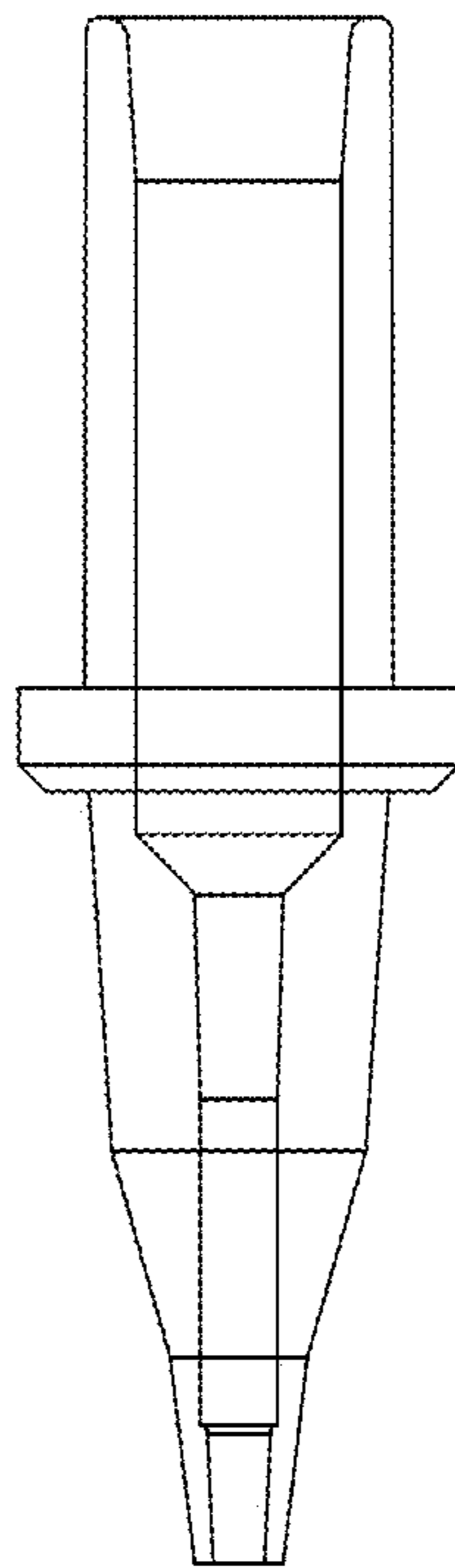


FIG. 12

