



US00D833025S

(12) **United States Design Patent** (10) **Patent No.:** **US D833,025 S**
Lay et al. (45) **Date of Patent:** **** Nov. 6, 2018**

(54) **LENS FOR PHOTOTHERAPY CAP**

(71) Applicant: **PhotonMD, Inc.**, Morrisville, NC (US)

(72) Inventors: **James Michael Lay**, Apex, NC (US);
Nicholas William Medendorp, Jr.,
Raleigh, NC (US); **Owen Lewis Joyce**,
Cary, NC (US)

(73) Assignee: **PHOTONMD, INC.**, Morrisville, NC
(US)

(**) Term: **15 Years**

(21) Appl. No.: **29/600,523**

(22) Filed: **Apr. 13, 2017**

Related U.S. Application Data

(63) Continuation-in-part of application No.
PCT/US2016/044403, filed on Jul. 28, 2016.

(51) **LOC (11) Cl.** **28-03**

(52) **U.S. Cl.**
USPC **D24/209**

(58) **Field of Classification Search**
USPC D24/107, 186, 158, 231, 200, 209, 210,
D24/214, 215, 187; D26/37-39; D28/9;
D29/102, 103, 122

(Continued)

(56) **References Cited**

U.S. PATENT DOCUMENTS

D267,287 S 12/1982 Gooding
5,228,431 A * 7/1993 Giarretto A61H 9/005
601/11

(Continued)

FOREIGN PATENT DOCUMENTS

AU 2016100390 A4 7/2016
EP 3069762 A1 9/2016
WO 2008144157 A1 11/2008

OTHER PUBLICATIONS

Author Unknown, "Theradome Laser Helmet Review—A 120 Day Continuous Journal," Prevent Hair Loss Products, Jan. 14, 2014, retrieved Jun. 27, 2017, <https://web.archive.org/web/20140610024017/http://preventhairlossproducts.com:80/theradome-laser-helmet-review-120-day-continuous-journal/>, pp. 1-4.

(Continued)

Primary Examiner — Anhdao Doan

(74) *Attorney, Agent, or Firm* — Withrow & Terranova,
P.L.L.C.; Vincent K. Gustafson

(57) **CLAIM**

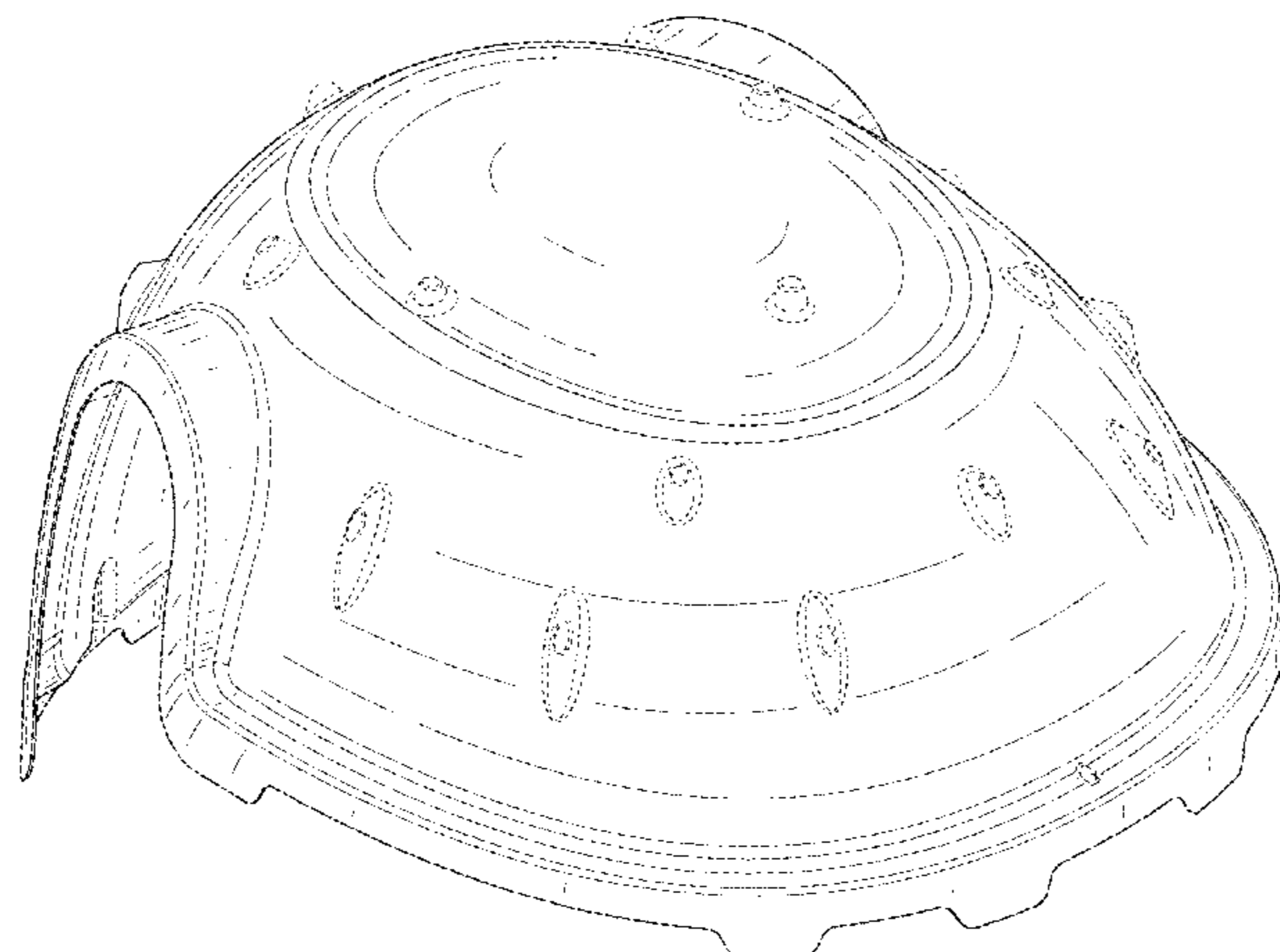
The ornamental design for a lens for a phototherapy cap, as shown and described.

DESCRIPTION

FIG. 1 is an upper perspective view of a lens for a phototherapy cap showing our new design;
FIG. 2 is a lower perspective view of the lens for a phototherapy cap;
FIG. 3 is a top plan view of the lens for a phototherapy cap;
FIG. 4 is a bottom plan view of the lens for a phototherapy cap;
FIG. 5 is a left side elevational view of the lens for a phototherapy cap;
FIG. 6 is a right side elevational view of the lens for a phototherapy cap;
FIG. 7 is a rear elevational view of the lens for a phototherapy cap; and,
FIG. 8 is a front elevational view of the lens for a phototherapy cap.

The broken lines immediately adjacent the shaded areas represent the bounds of the claim, while all other broken lines are directed to environment and are for illustrative purposes only; the broken lines form no part of the claimed design.

1 Claim, 8 Drawing Sheets



(58) **Field of Classification Search**

CPC A61N 5/0616; A61N 5/0617; A61N 5/062;
 A61N 5/0627; A61N 5/0625; A61N
 2005/0643; A61N 2005/0644; A61N
 2005/0645; A61N 2005/0647; A61N
 2005/0651; A61N 2005/0652; A61B
 2018/00452; A61B 2018/1807

See application file for complete search history.

(56)

References Cited

U.S. PATENT DOCUMENTS

D348,520 S *	7/1994	Wolf	D24/200
D369,668 S *	5/1996	Stojanovic	D24/209
D382,671 S	8/1997	Shewchenko	
D536,814 S *	2/2007	Choi	D26/39
D556,951 S	12/2007	Gath	
D631,971 S	2/2011	Turtzo et al.	
D635,686 S	4/2011	Tucker et al.	
D640,793 S	6/2011	Britt	
8,146,607 B2	4/2012	Rabin et al.	
8,192,473 B2	6/2012	Tucker et al.	
D669,638 S	10/2012	Martinez	
D670,869 S	11/2012	Harris	
D682,437 S	5/2013	Olson et al.	
D695,966 S *	12/2013	Futterer	D29/102
D704,338 S *	5/2014	Van Den Bergh	D24/158
D724,232 S	3/2015	Bengochea et al.	
D754,897 S	4/2016	Michaels et al.	
D762,870 S *	8/2016	Singh	D24/210

D763,461 S	8/2016	Ma	
D777,339 S	1/2017	Chen	
D778,456 S *	2/2017	Knaus	D24/209
D790,723 S *	6/2017	Kennedy	D24/209
D804,047 S *	11/2017	Michaels	D24/209
D812,308 S	3/2018	Hall et al.	
2003/0167080 A1	9/2003	Hart et al.	
2007/0233208 A1	10/2007	Kurtz et al.	
2010/0242155 A1	9/2010	Carullo, Jr.	
2011/0015707 A1	1/2011	Tucker et al.	
2011/0144727 A1	6/2011	Benedict	
2011/0160814 A2	6/2011	Tucker et al.	
2011/0301673 A1	12/2011	Hoffer et al.	
2012/0059440 A1	3/2012	Hamid	
2014/0148879 A1	5/2014	Mersch	
2014/0350643 A1	11/2014	Pepitone et al.	
2015/0005854 A1	1/2015	Said	
2015/0297914 A1	10/2015	Hamid et al.	
2016/0051835 A1 *	2/2016	Tapper	A61N 5/0616 607/90
2016/0106999 A1	4/2016	Michaels et al.	
2016/0271420 A1	9/2016	Pina	

OTHER PUBLICATIONS

Non-Final Office Action for U.S. Appl. No. 29/600,518, dated Apr. 6, 2018, 8 pages.

Notice of Allowance for U.S. Appl. No. 29/600,521, dated Apr. 18, 2018, 8 pages.

* cited by examiner

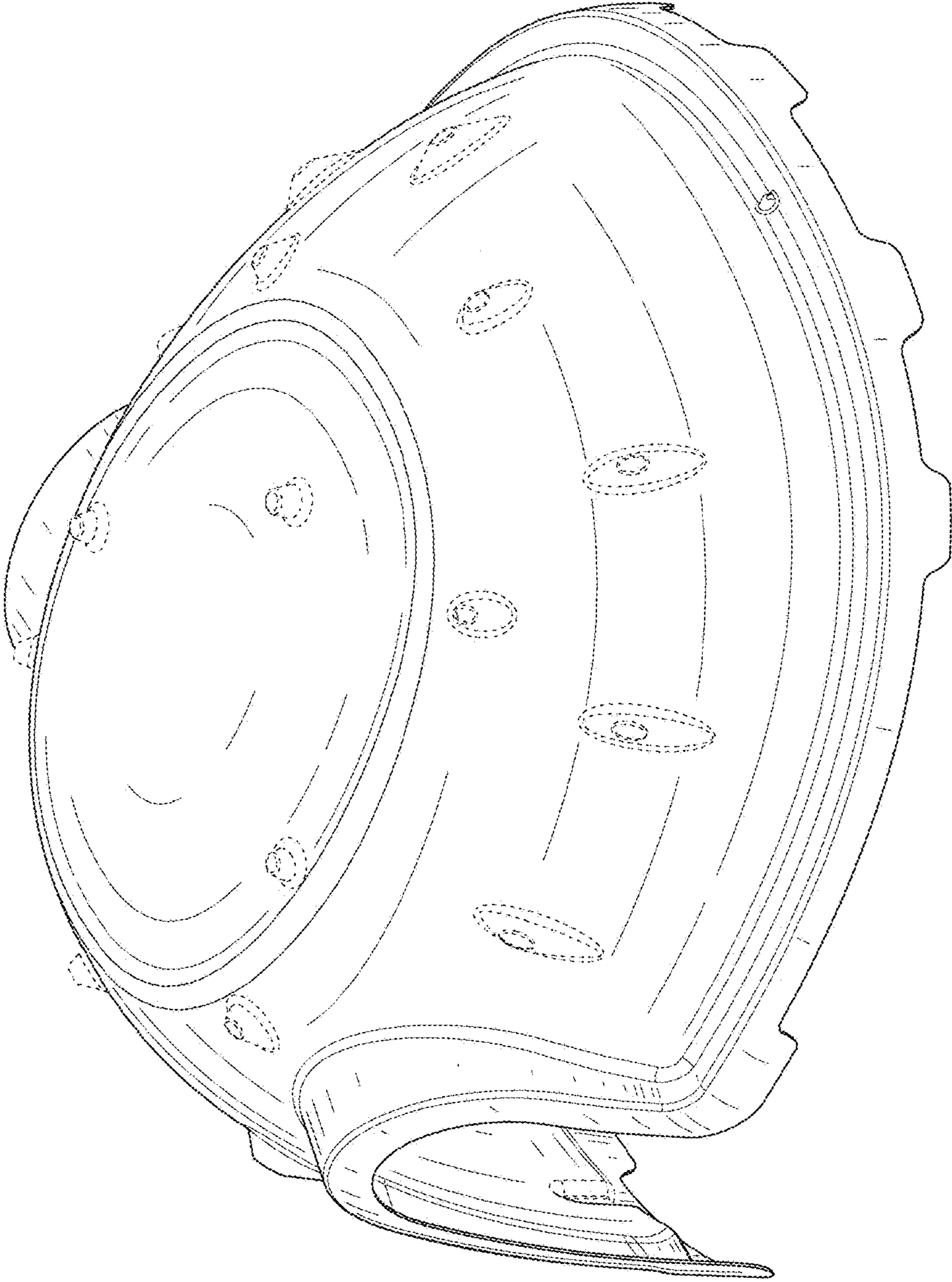


FIG. 1

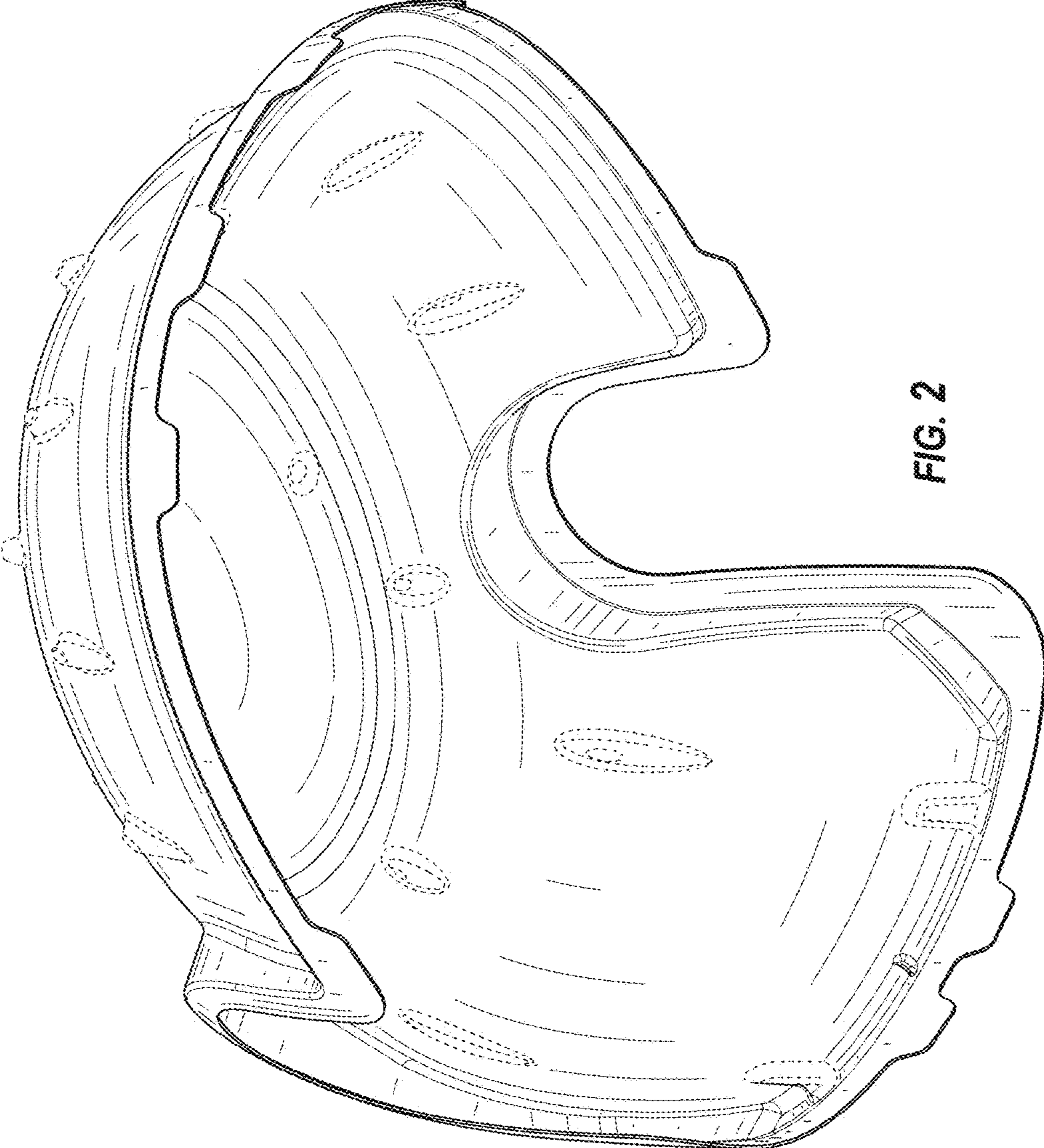


FIG. 2

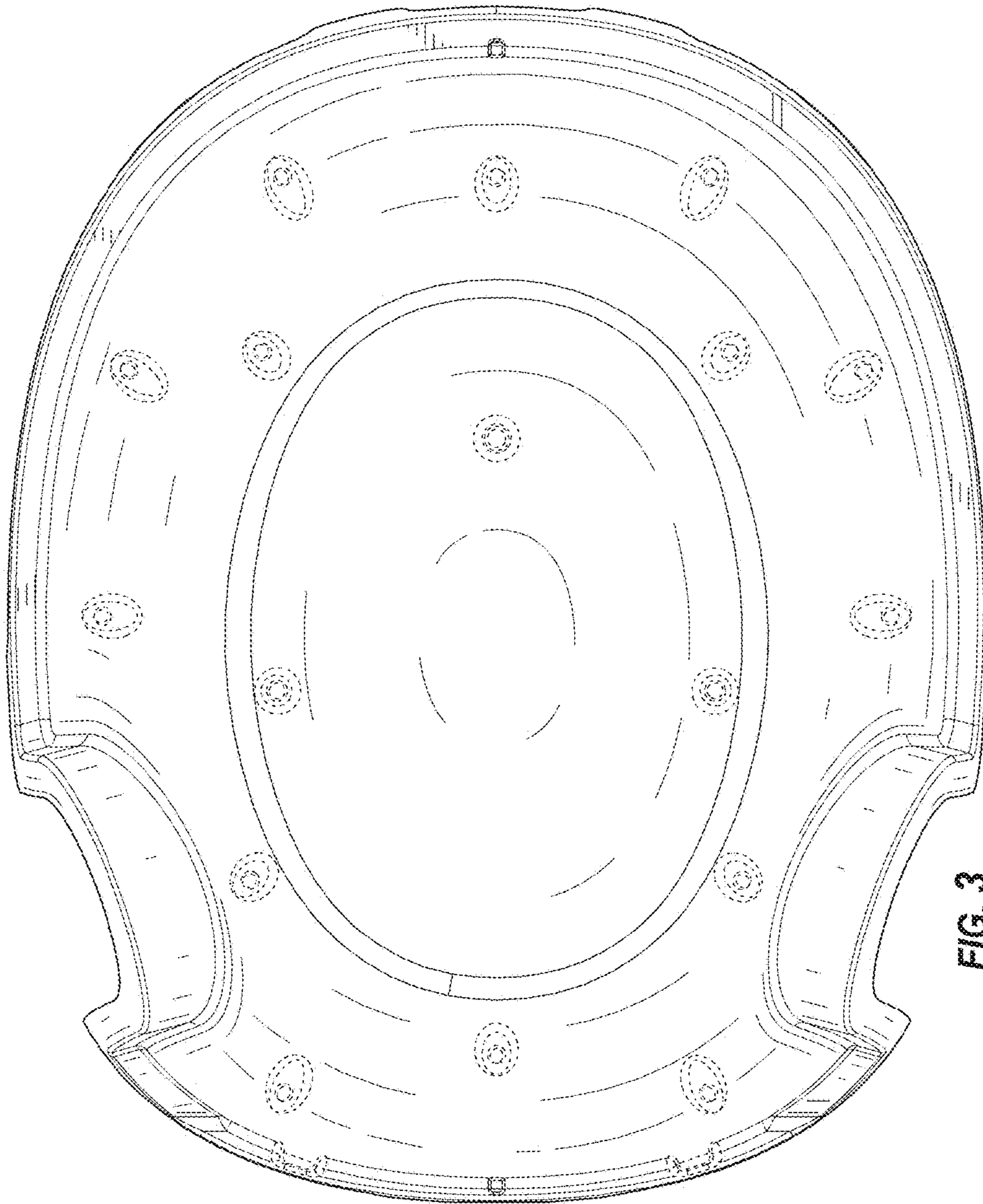


FIG. 3

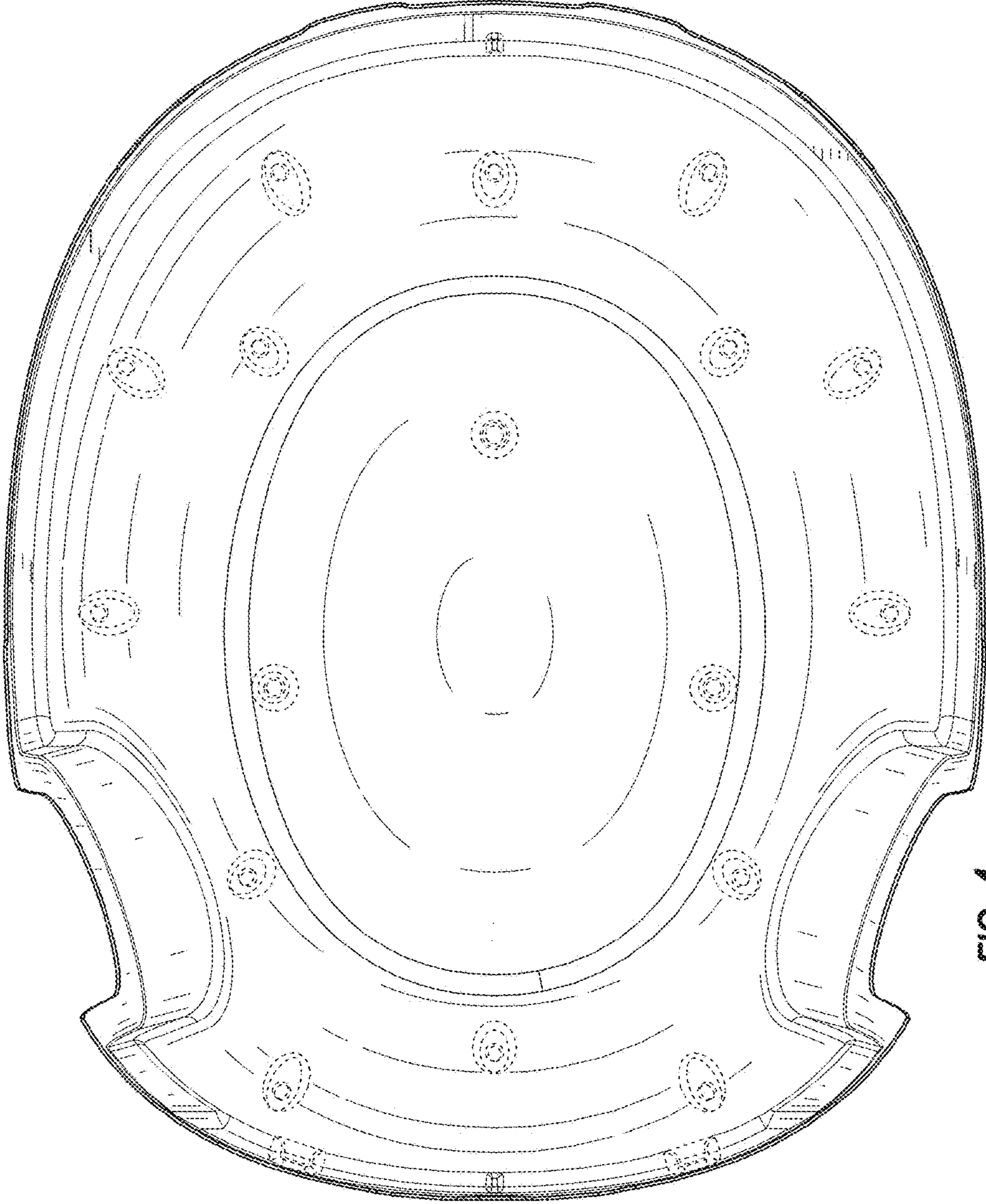


FIG. 4

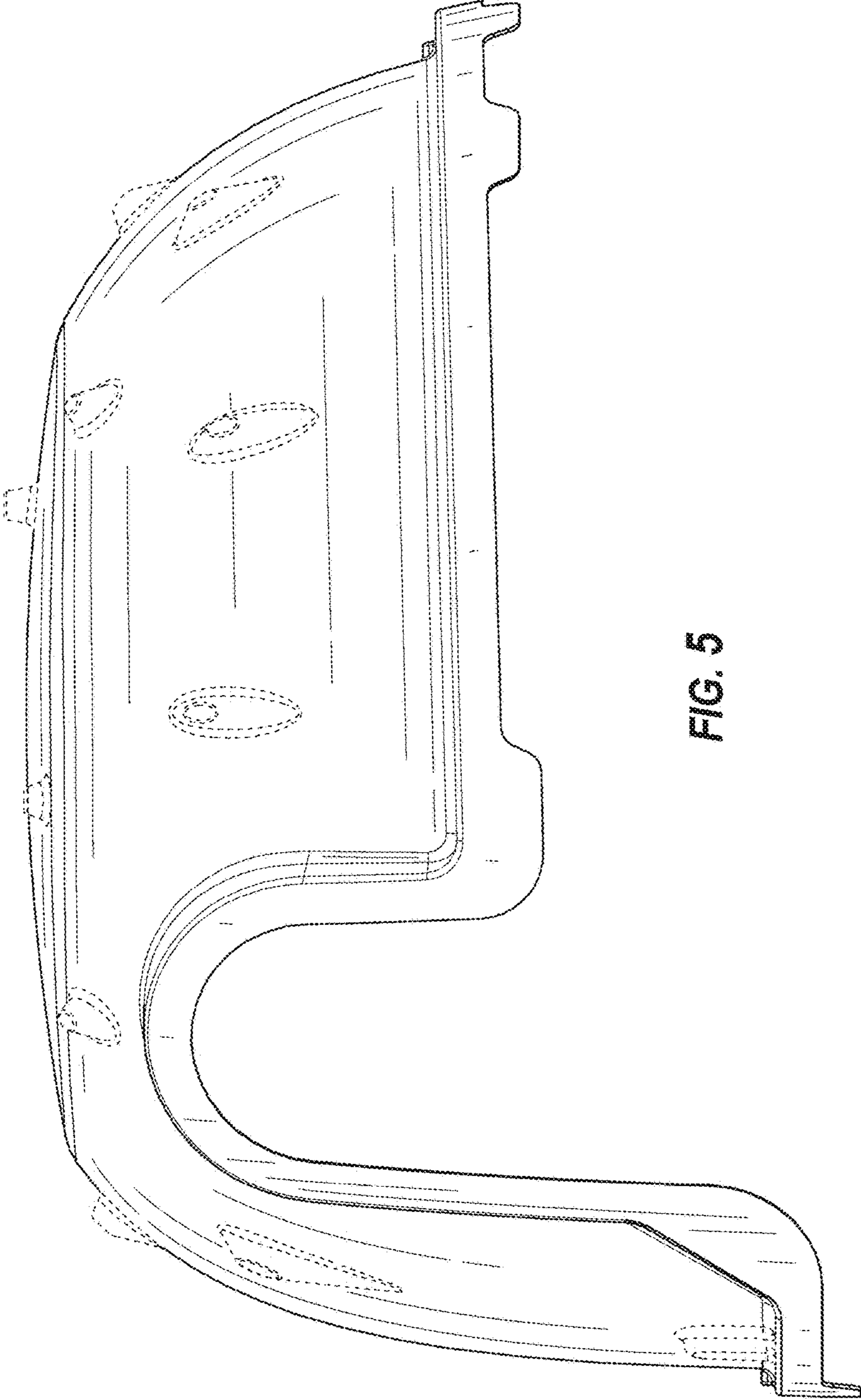


FIG. 5

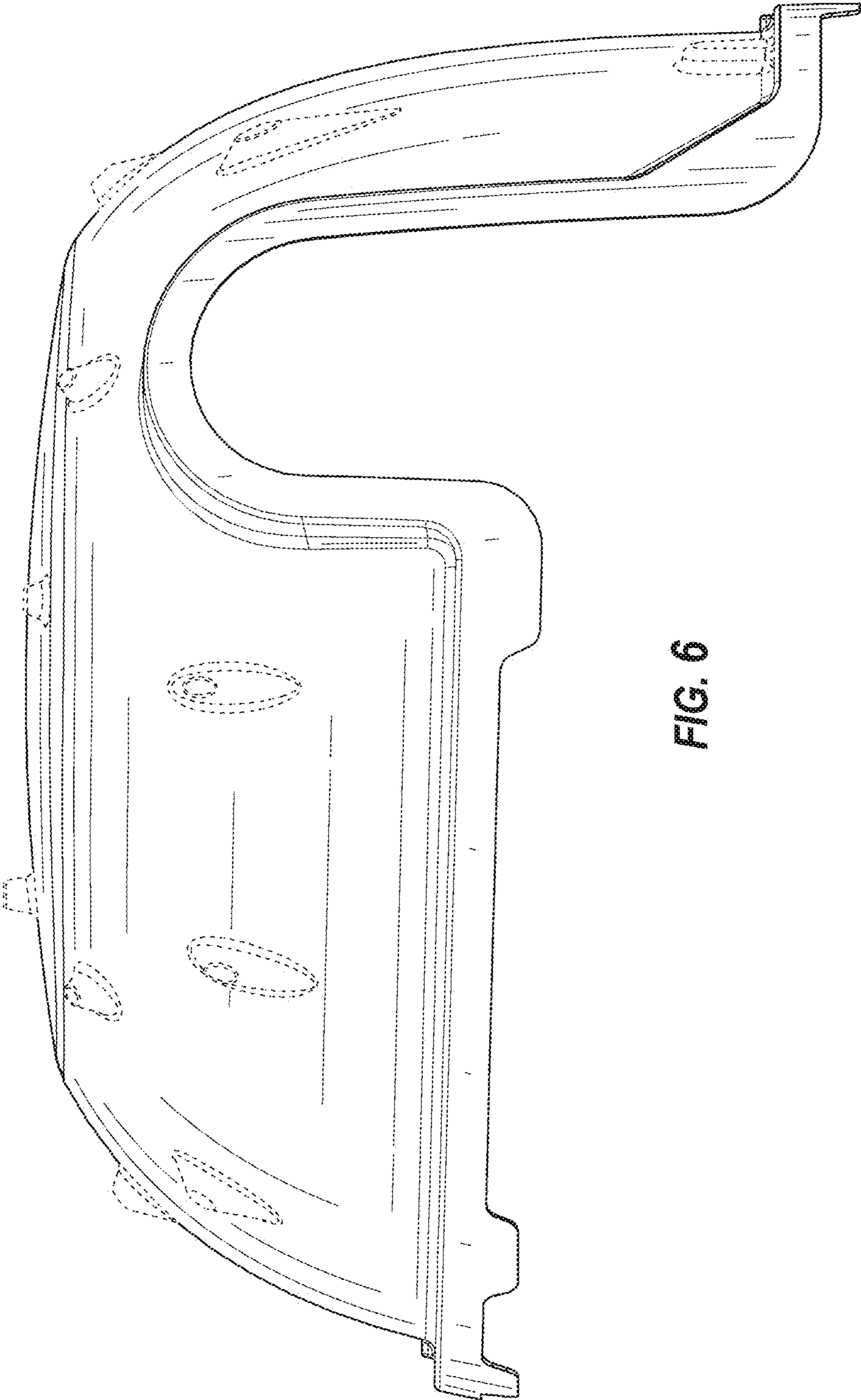


FIG. 6

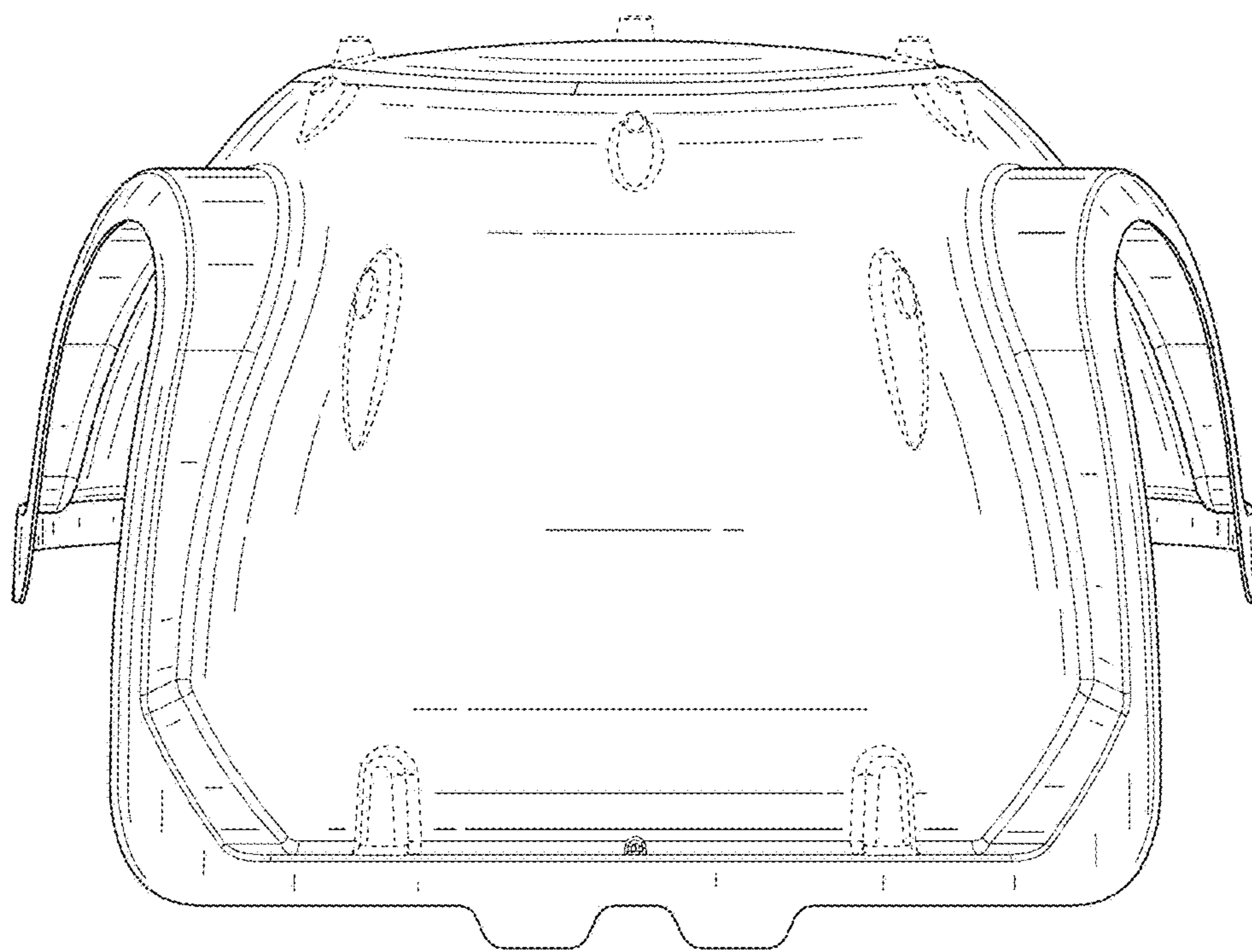


FIG. 7

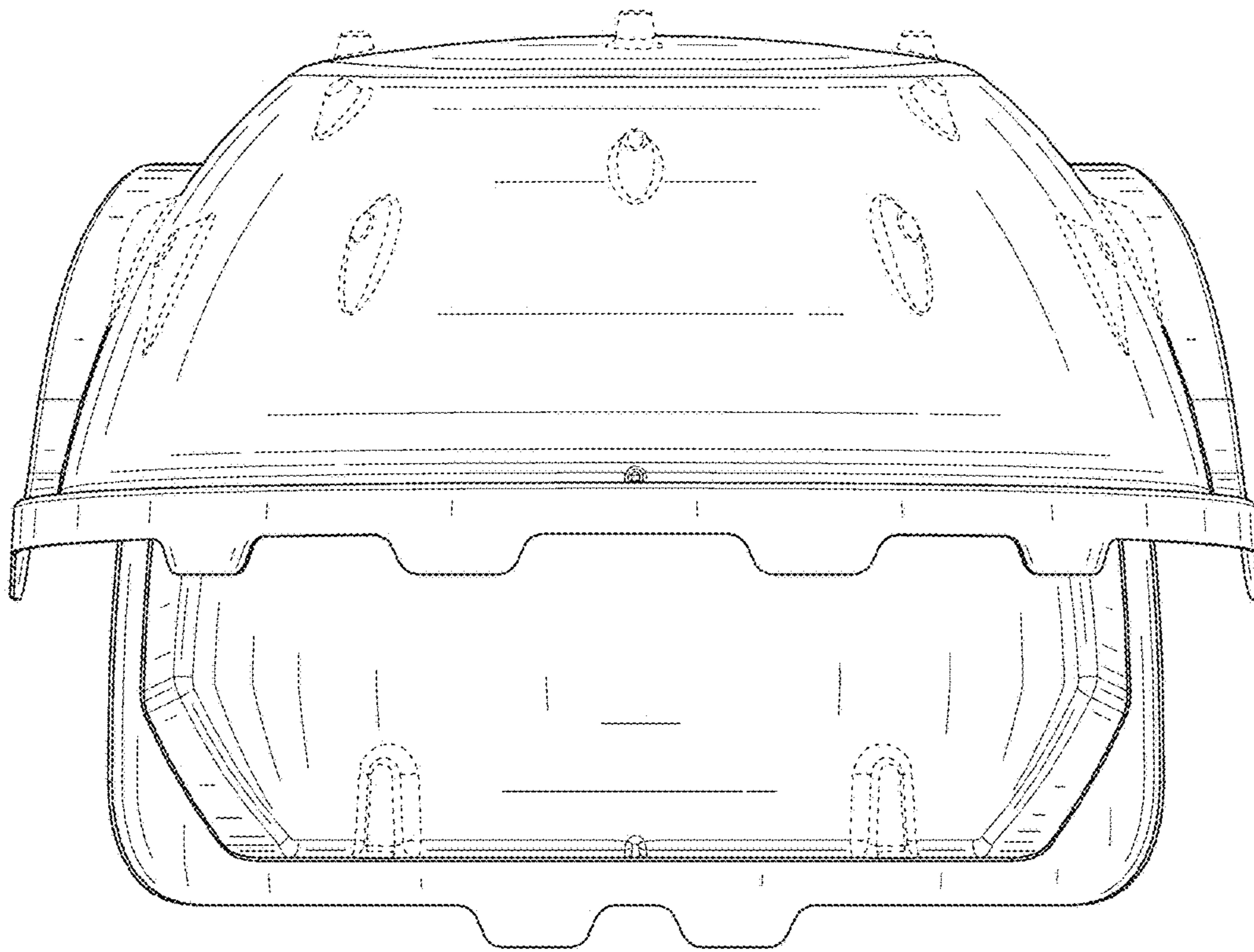


FIG. 8