



US00D833024S

(12) **United States Design Patent** (10) **Patent No.:** **US D833,024 S**
Chang et al. (45) **Date of Patent:** **** Nov. 6, 2018**

(54) **BELT BANDAGE**

(71) Applicants: **Ki Yong Chang**, Seoul (KR); **Min Young Kang**, Seoul (KR)

(72) Inventors: **Ki Yong Chang**, Seoul (KR); **Min Young Kang**, Seoul (KR)

(**) Term: **15 Years**

(21) Appl. No.: **35/503,638**

(22) Filed: **Apr. 25, 2017**

(80) **Hague Agreement Data**

Int. Filing Date: **Apr. 25, 2017**
 Int. Reg. No.: **DM/097421**
 Int. Reg. Date: **Apr. 25, 2017**
 Int. Reg. Pub. Date: **Sep. 8, 2017**

(30) **Foreign Application Priority Data**

Nov. 2, 2016 (KR) 3020160052606

(51) **LOC (11) Cl.** **24-02**

(52) **U.S. Cl.**
USPC **D24/190**

(58) **Field of Classification Search**
 USPC D24/190; D21/662; D29/6, 16, 19, 26
 CPC A61F 5/028; A61F 5/0123; A61F
 2005/0174; A61F 5/05866; A61F 5/0009
 See application file for complete search history.

(56) **References Cited**

U.S. PATENT DOCUMENTS

2,733,712	A *	2/1956	Wuesthoff	A61F 5/028
				128/96.1
D273,331	S *	4/1984	Gruber	D24/190
D353,890	S *	12/1994	McKeel	D24/190
D404,490	S *	1/1999	Tripolsky	D24/190
D499,846	S *	12/2004	Cesko	D29/101.3
D628,300	S *	11/2010	Caden	D24/190
D802,154	S *	11/2017	Ceccarelli	D24/190
9,808,369	B1 *	11/2017	Gaylord	A61F 5/028

* cited by examiner

Primary Examiner — Robert M. Spear

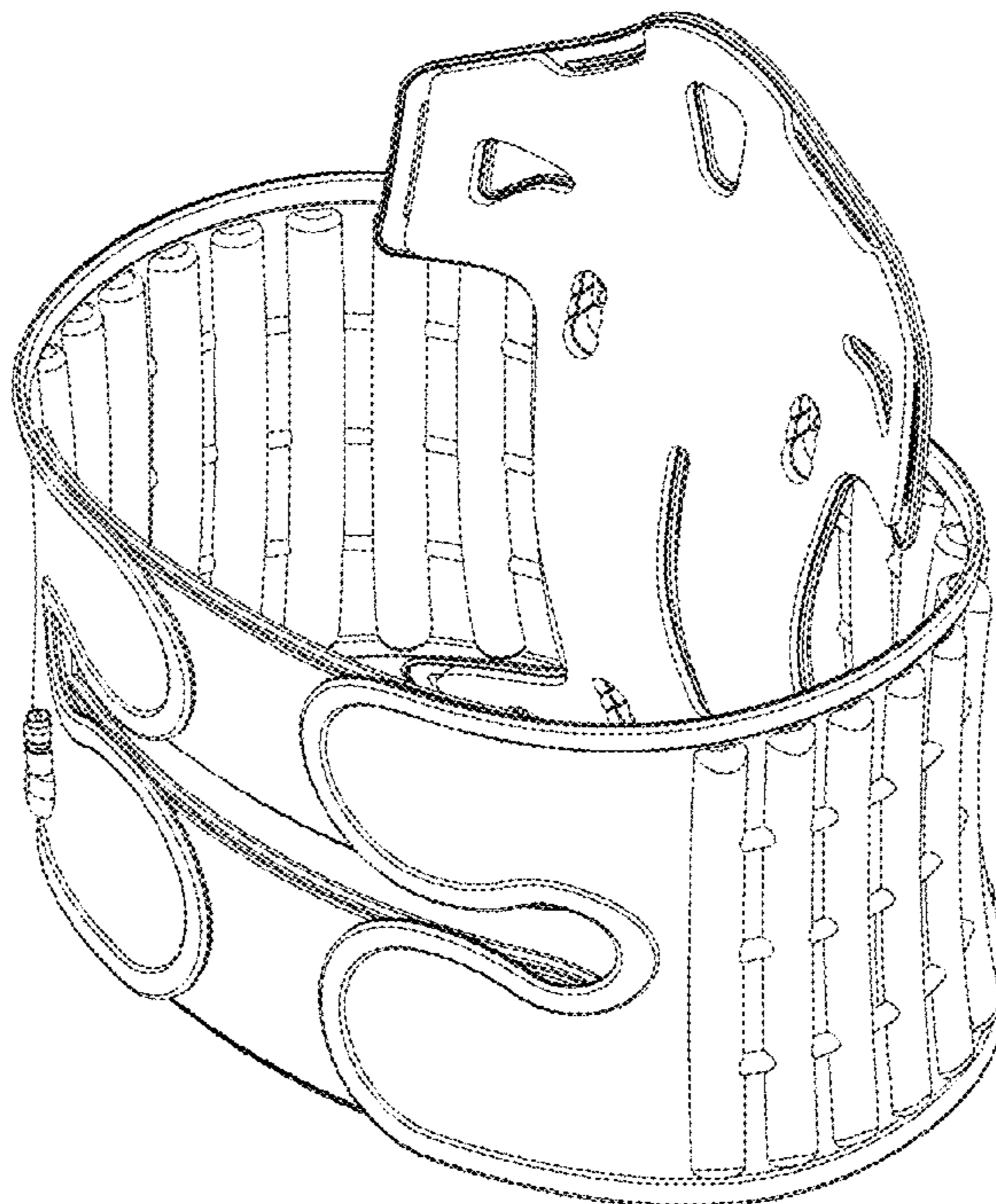
(57) **CLAIM**

The ornamental design for a belt bandage, as shown and described.

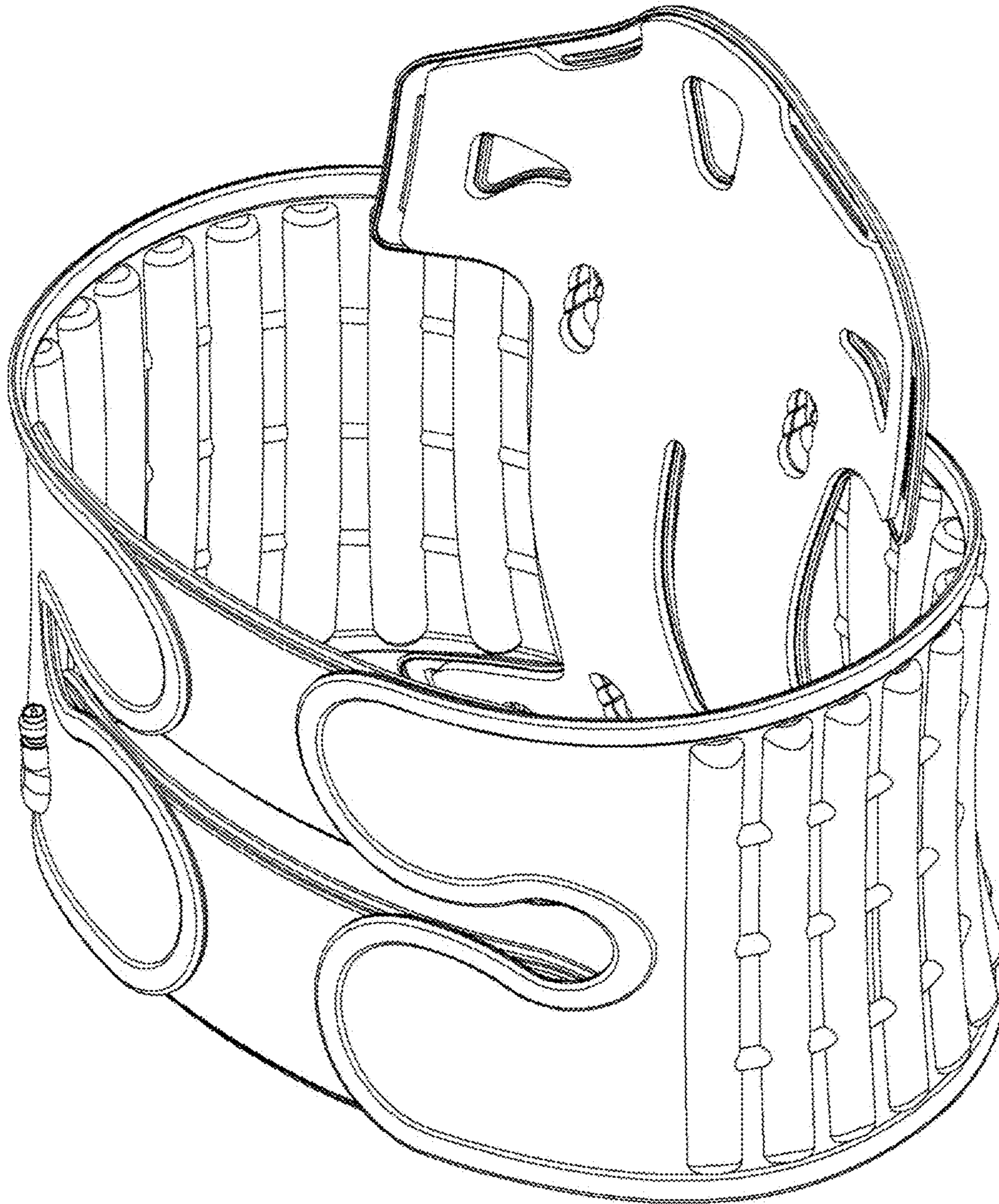
DESCRIPTION

- 1. Belt bandage
- 1.1 : Perspective
- 1.2 : Front
- 1.3 : Back
- 1.4 : Left
- 1.5 : Right
- 1.6 : Top
- 1.7 : Bottom

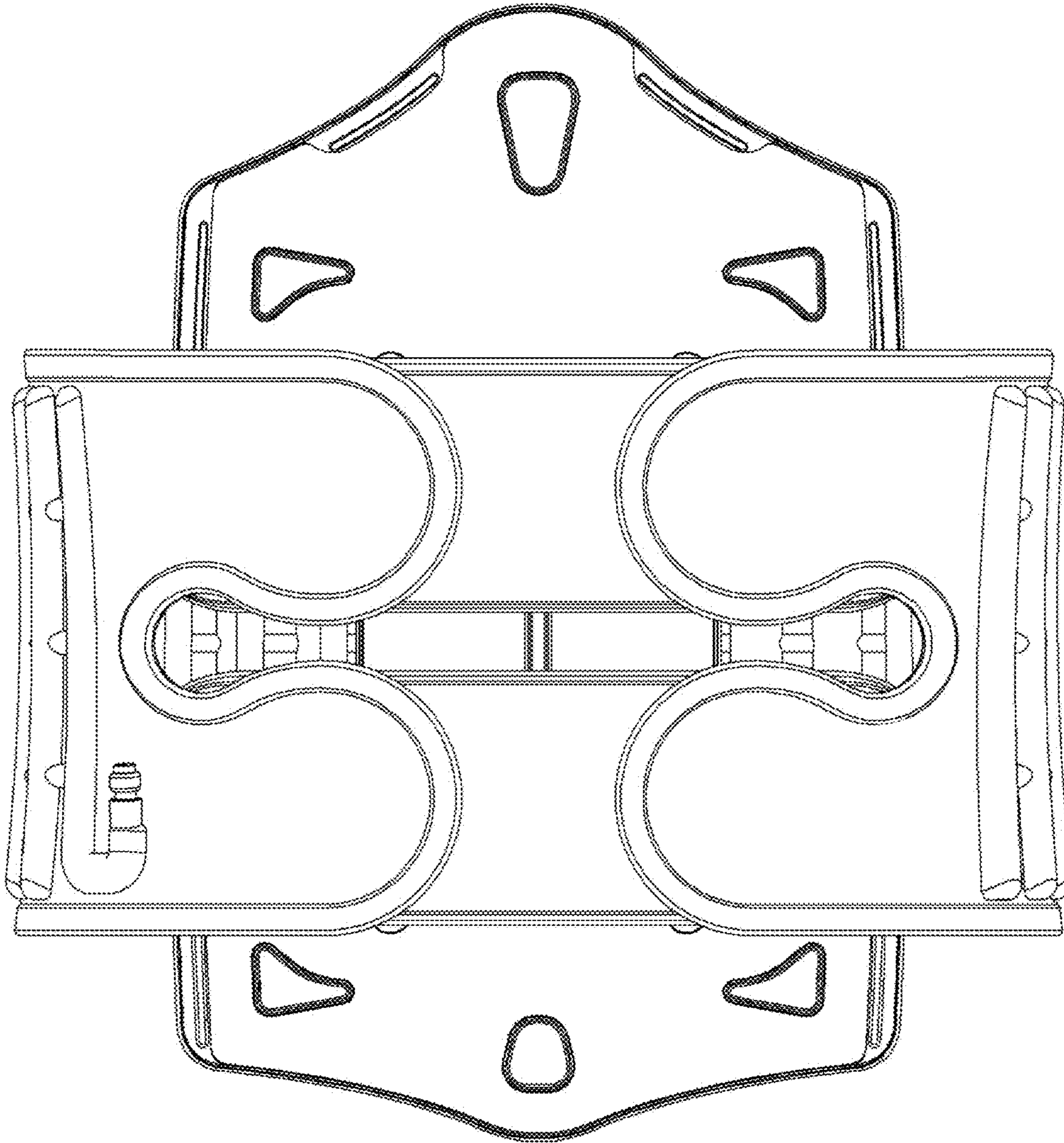
1 Claim, 7 Drawing Sheets



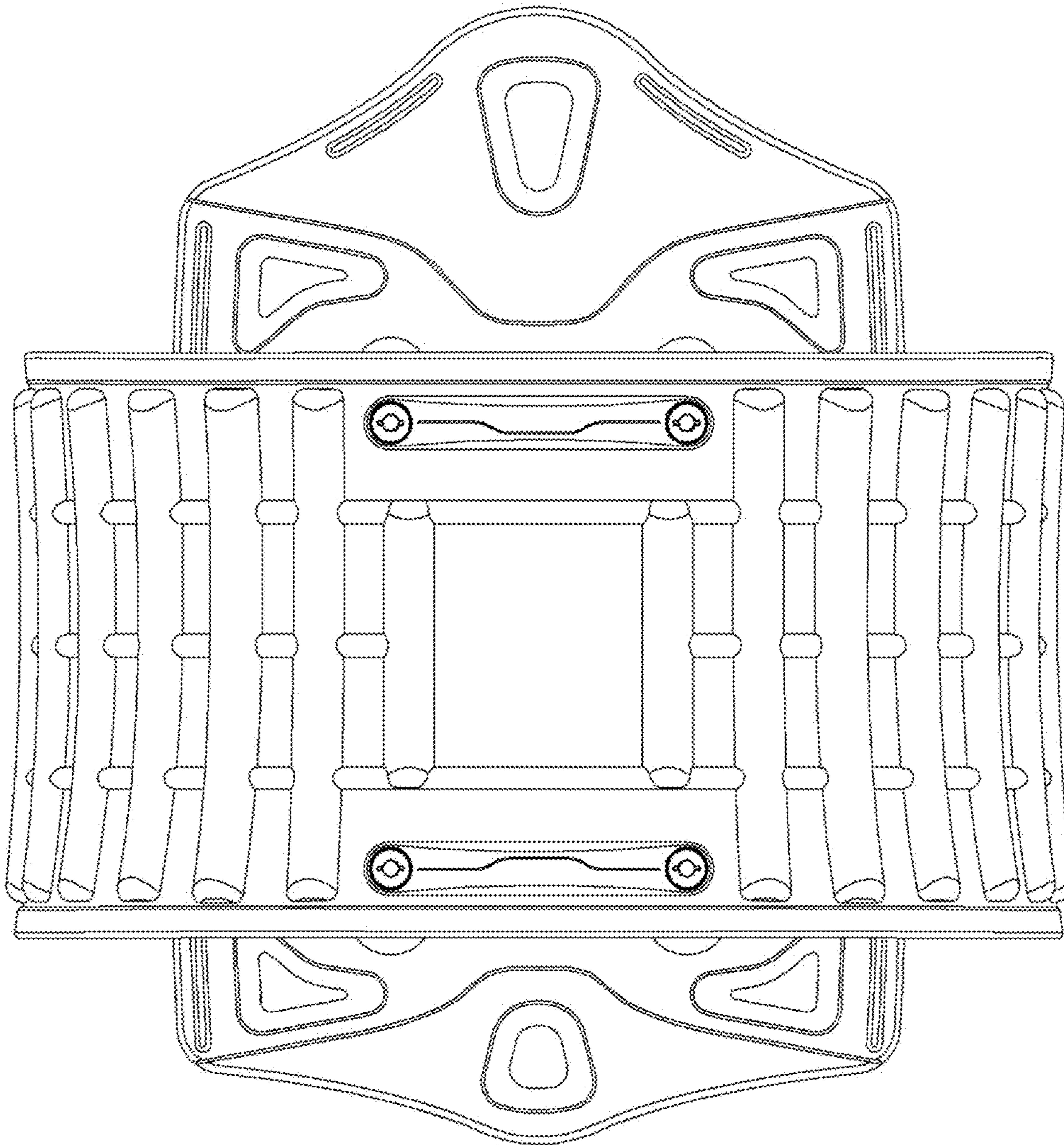
1.1



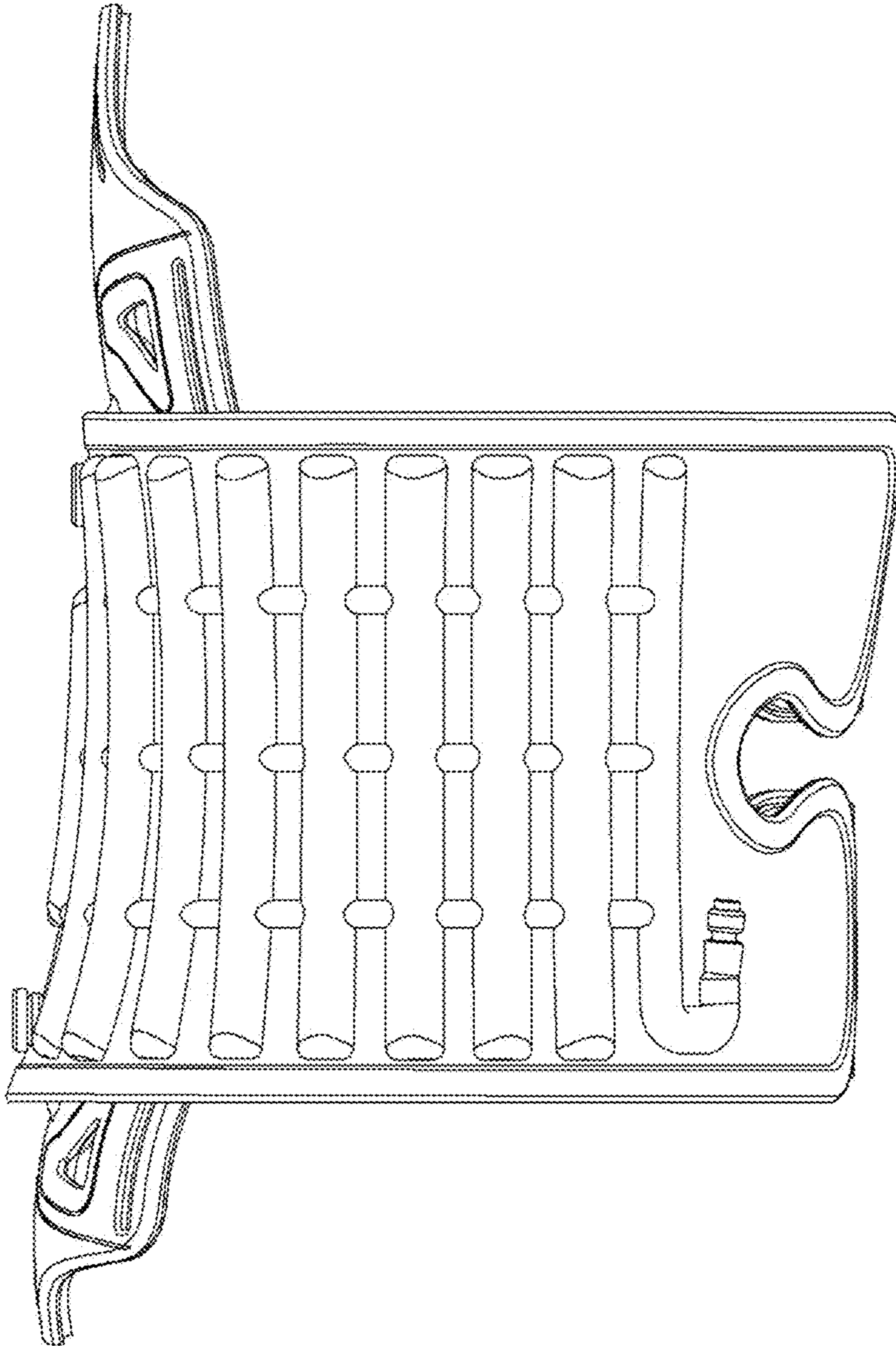
1.2



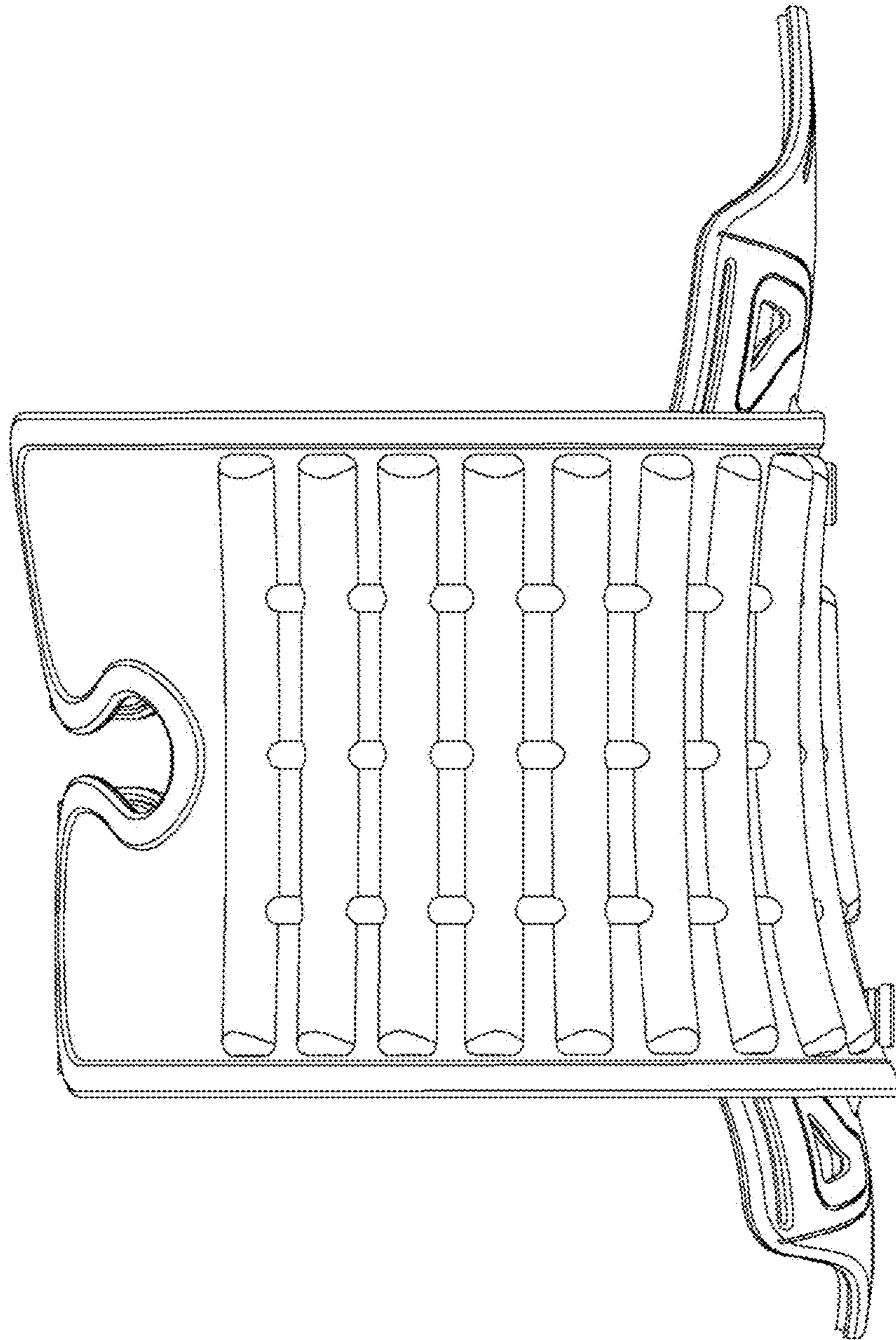
1.3



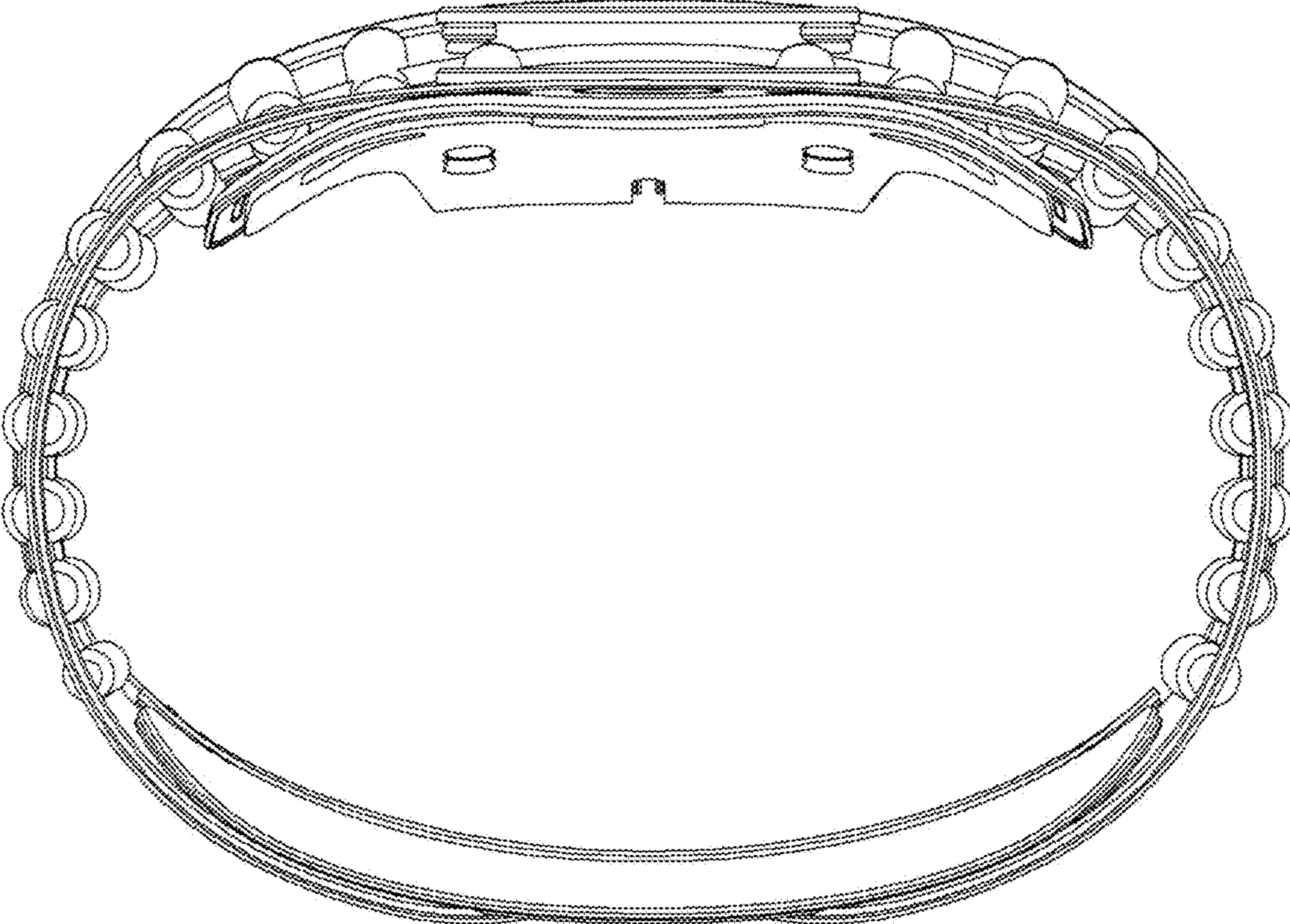
1.4



1.5



1.6



1.7

