



US00D833022S

(12) **United States Design Patent** (10) **Patent No.:** **US D833,022 S**  
**Corrigan et al.** (45) **Date of Patent:** **\*\* Nov. 6, 2018**

- (54) **INCUBATOR ANALYZER**
- (71) Applicant: **Fluke Corporation**, Everett, WA (US)
- (72) Inventors: **Christopher Corrigan**, Seattle, WA (US); **B. Matthew Marzynski**, Seattle, WA (US)
- (73) Assignee: **Fluke Corporation**, Everett, WA (US)
- (\*\*) Term: **15 Years**
- (21) Appl. No.: **29/626,939**
- (22) Filed: **Nov. 21, 2017**

- D703,074 S 4/2014 Knopp et al.
- D730,216 S 5/2015 McLaughlin et al.
- D745,172 S 12/2015 Marzynski
- D786,107 S \* 5/2017 Pileggi ..... D10/78
- D815,286 S \* 4/2018 Underwood ..... D24/163
- 2017/0154509 A1\* 6/2017 Prabhakar ..... G08B 17/06

\* cited by examiner

*Primary Examiner* — Anhdao Doan  
(74) *Attorney, Agent, or Firm* — Seed Intellectual Property Law Group LLP

(57) **CLAIM**

The ornamental design for an incubator analyzer, as shown and described.

**Related U.S. Application Data**

- (62) Division of application No. 29/544,914, filed on Nov. 6, 2015, now Pat. No. Des. 806,881.
- (51) **LOC (11) Cl.** ..... **24-01**
- (52) **U.S. Cl.**  
USPC ..... **D24/186; D24/163**
- (58) **Field of Classification Search**  
USPC ..... D24/163, 164, 185, 186, 206, 107;  
D30/108, 117, 199; D10/52, 53, 78  
CPC .... A61G 11/00; A61G 11/002; A61G 11/005;  
A61G 11/009; A01K 41/00; A01K 41/02;  
A01K 41/04  
See application file for complete search history.

**DESCRIPTION**

FIG. 1 is a top front right perspective view of an incubator analyzer showing our new design, wherein four sensor stands are shown inserted into slots in the incubator analyzer.

FIG. 2 is a top plan view thereof.

FIG. 3 is a front elevational view thereof.

FIG. 4 is a right side elevational view thereof.

FIG. 5 is a left side elevational view thereof.

FIG. 6 is a rear elevational view thereof.

FIG. 7 is a bottom plan view thereof; and,

FIG. 8 is a top front right exploded perspective view of the incubator analyzer shown in FIG. 1, wherein one of the four sensor stands is shown removed from one of the slots in the incubator analyzer.

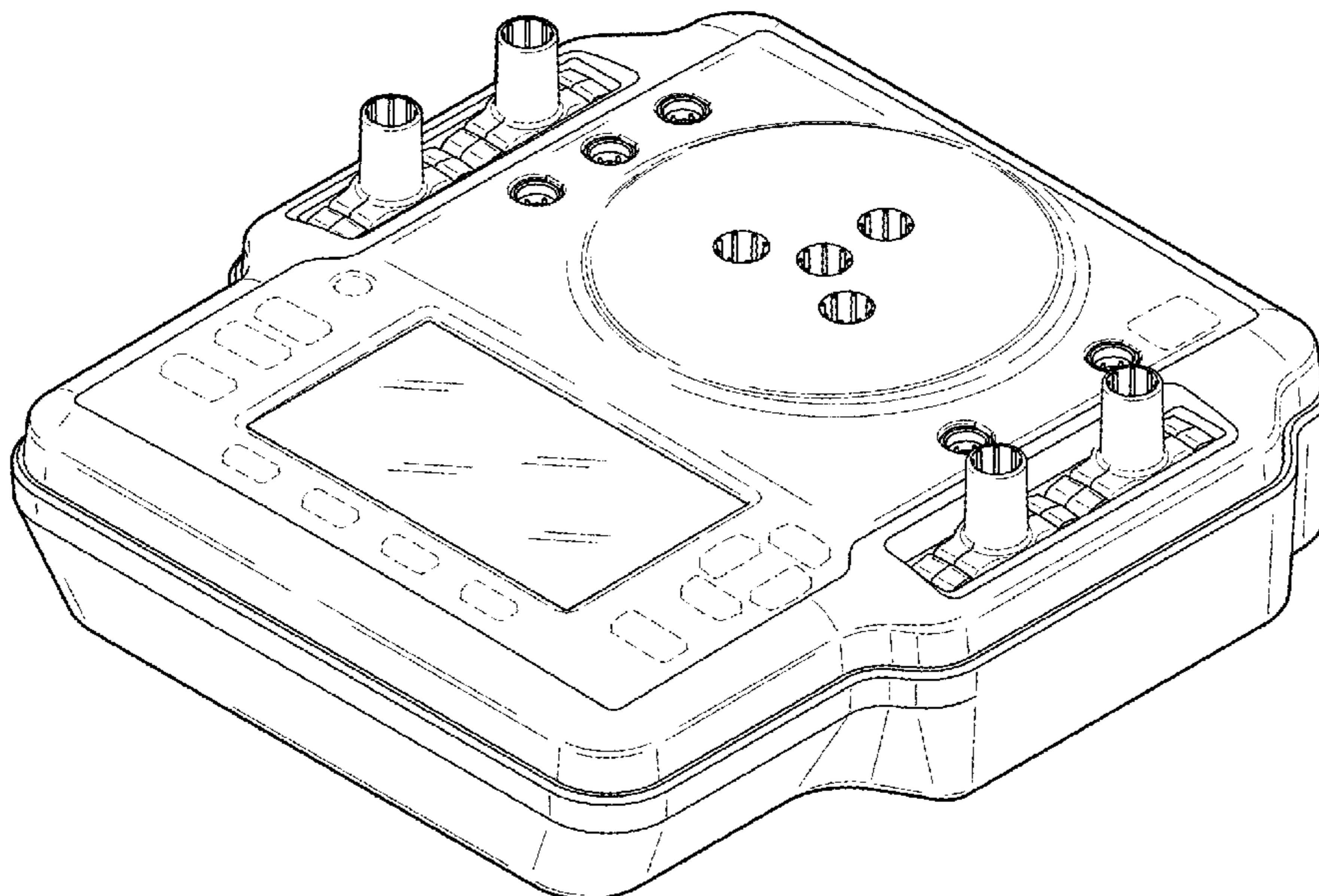
The broken lines in the figures illustrate portions of the incubator analyzer that form no part of the claimed design.

(56) **References Cited**

**U.S. PATENT DOCUMENTS**

- D597,865 S 8/2009 Bernard et al.
- D609,351 S 2/2010 Wagener et al.

**1 Claim, 5 Drawing Sheets**



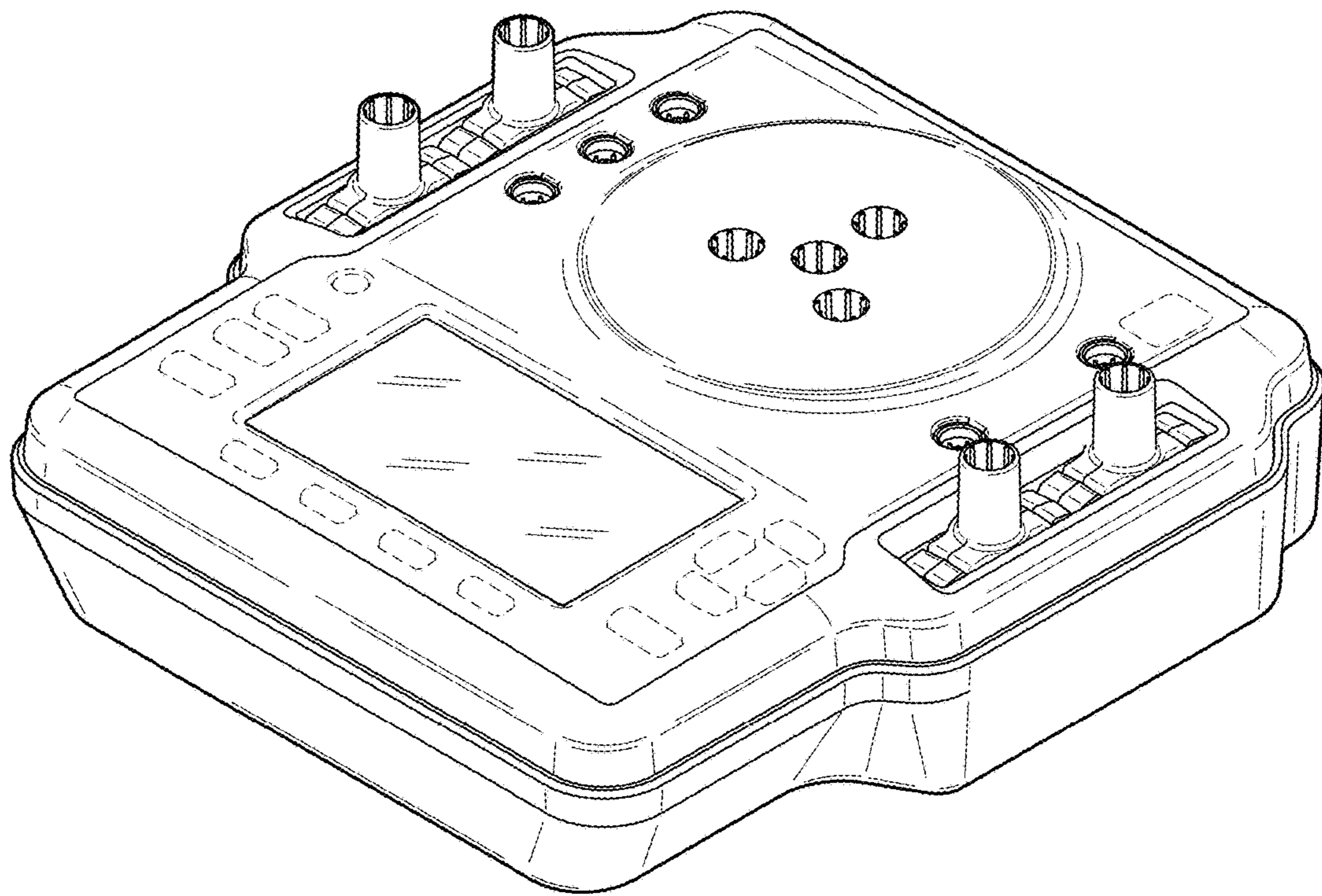


FIG.1

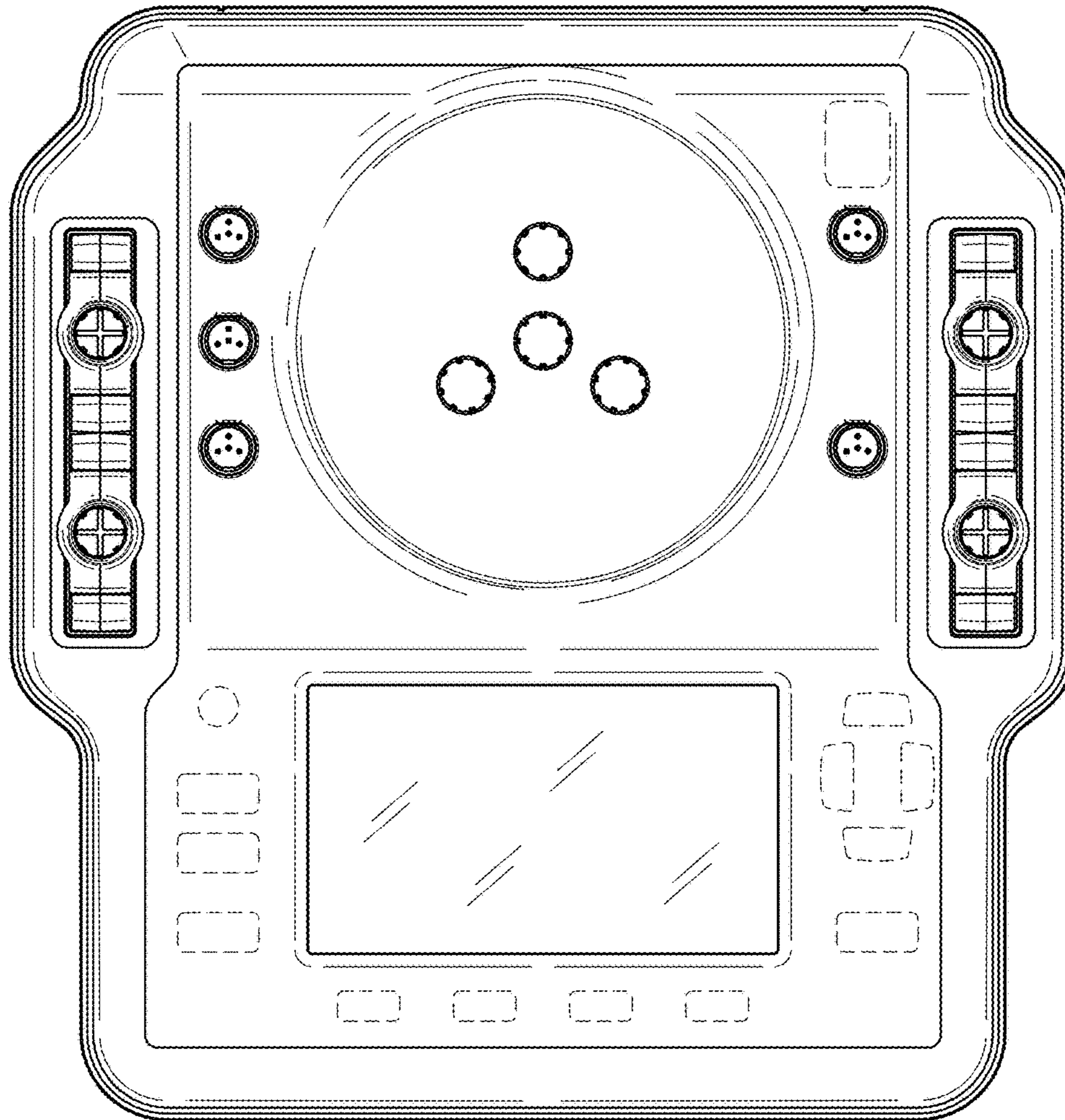


FIG.2

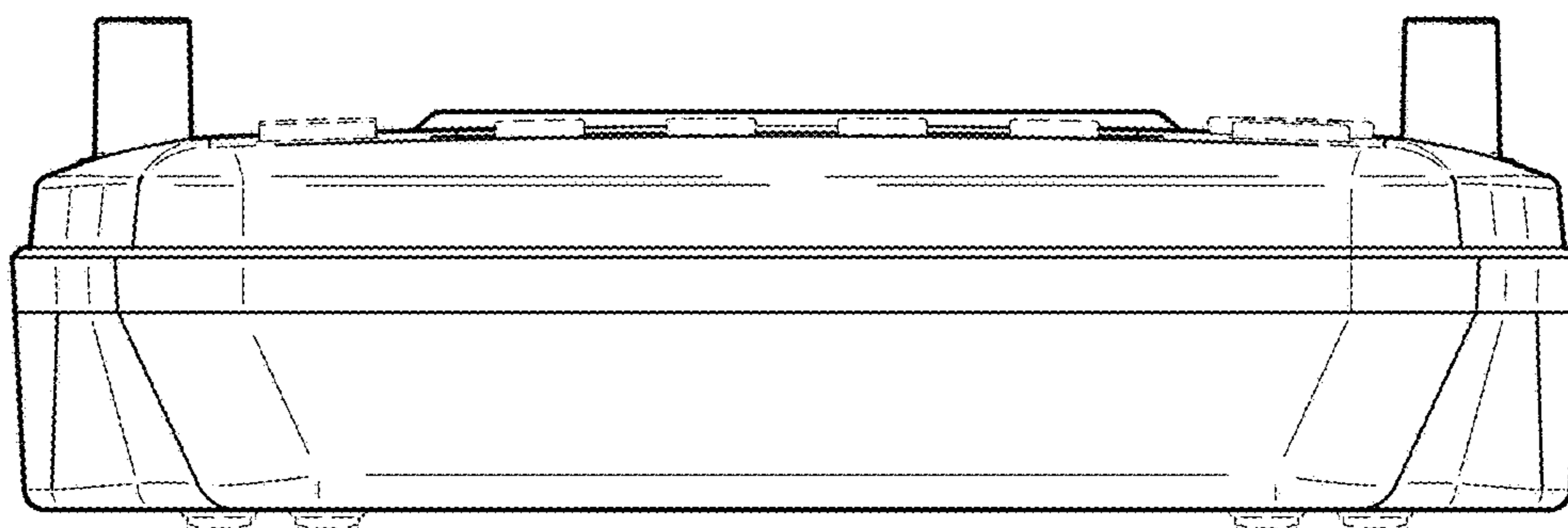


FIG.3

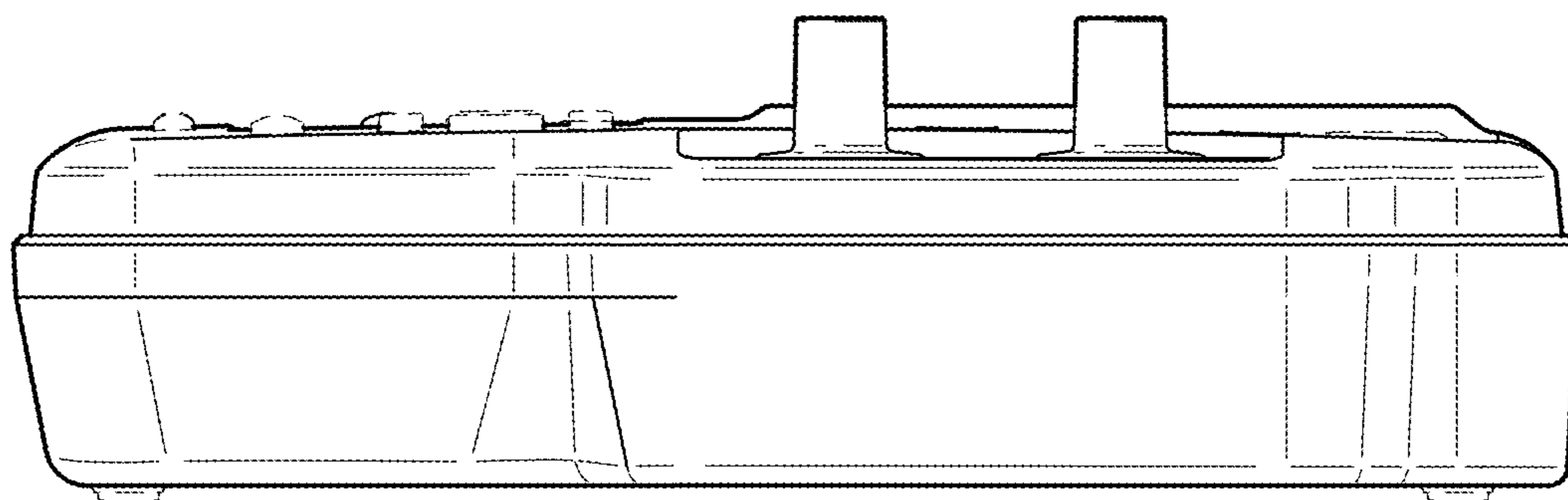


FIG.4

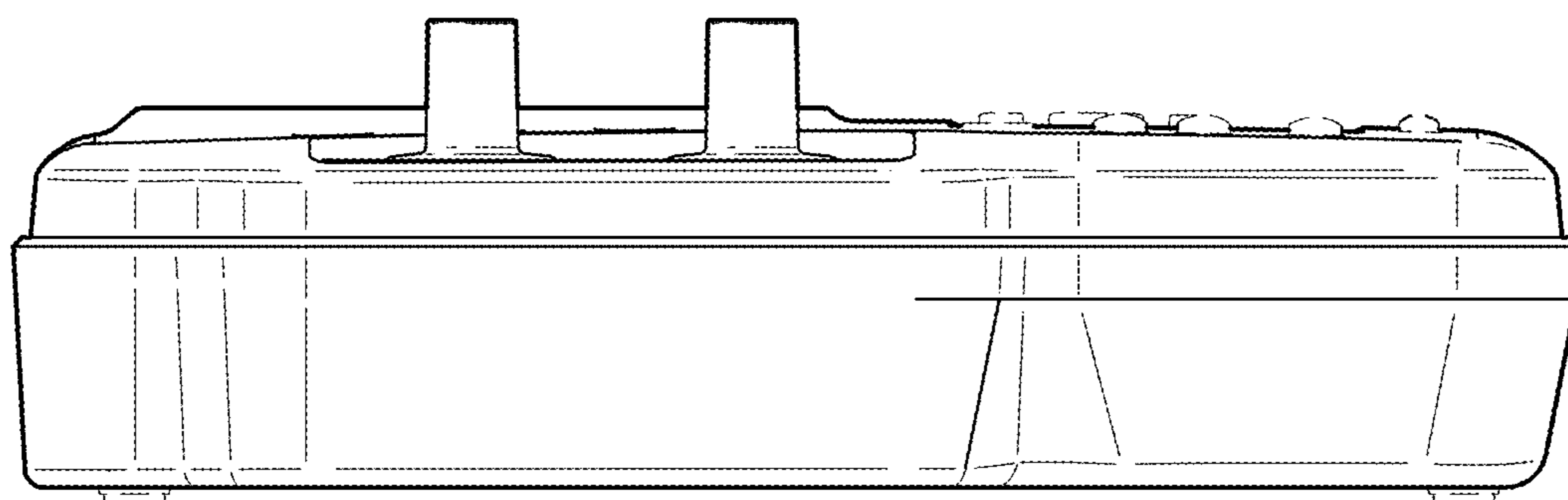


FIG.5

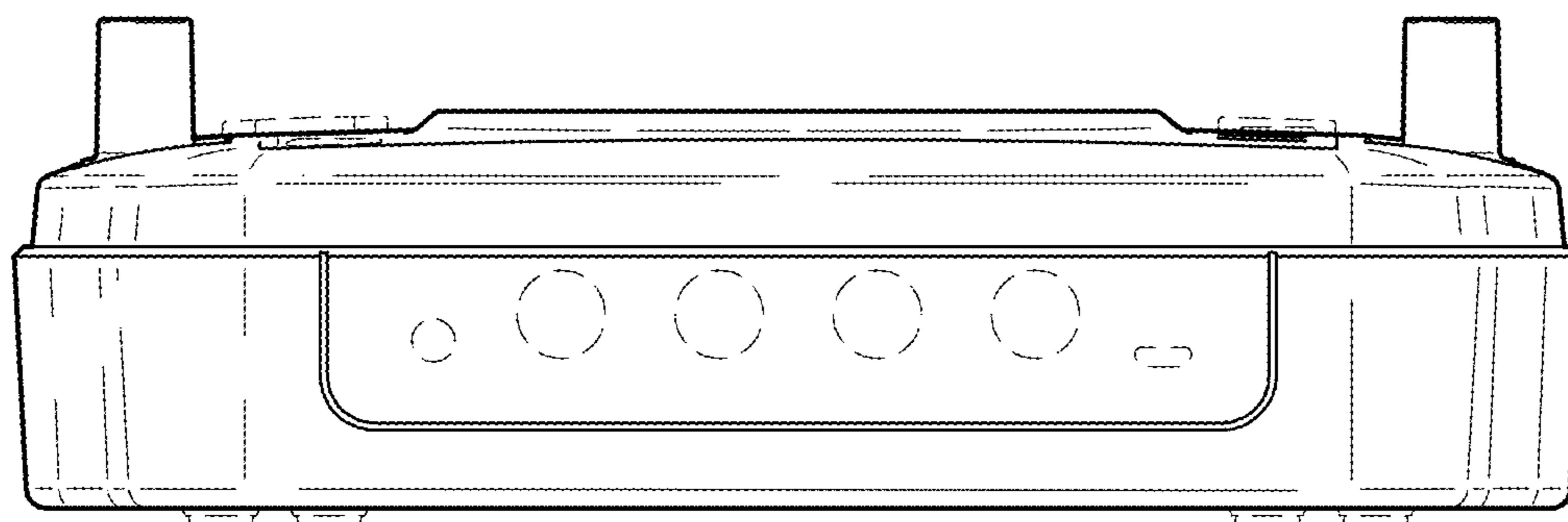


FIG.6

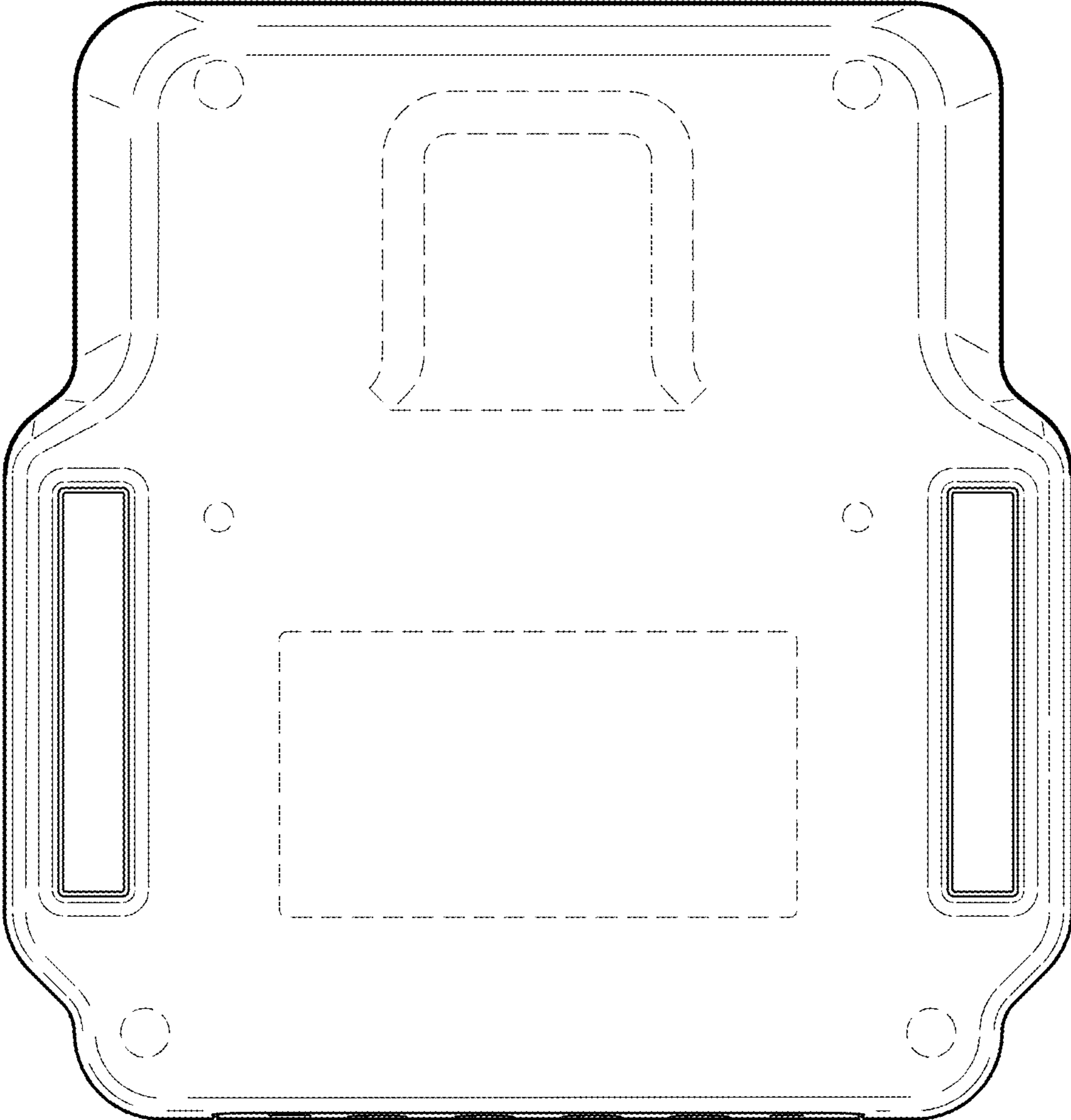


FIG.7

