



US00D833014S

(12) **United States Design Patent** (10) **Patent No.:** **US D833,014 S**  
**Pilat** (45) **Date of Patent:** **\*\* Nov. 6, 2018**

(54) **PORTABLE SPIROMETER**  
(71) Applicant: **Healthup Sp. z.o.o.**, Warsaw (PL)  
(72) Inventor: **Rafal Pilat**, Poznan (PL)  
(73) Assignee: **HEALTHUP SP. Z.O.O.**, Warsaw (PL)  
(\*\*) Term: **15 Years**

D403,769 S \* 1/1999 Weinstein ..... D24/164  
D450,124 S \* 11/2001 Niles ..... D24/164  
D465,573 S \* 11/2002 Niles ..... D24/164  
D556,908 S \* 12/2007 Jones ..... D24/164  
D652,933 S \* 1/2012 Boschetti Sacco ..... D24/164  
D659,835 S \* 5/2012 Benson ..... D24/164  
D693,468 S \* 11/2013 Meng ..... D24/164  
D694,410 S \* 11/2013 Benson ..... D24/164  
D728,796 S \* 5/2015 Ebel ..... D24/164

(Continued)

(21) Appl. No.: **29/591,998**  
(22) Filed: **Jan. 25, 2017**  
(51) **LOC (11) Cl.** ..... **24-02**  
(52) **U.S. Cl.**  
USPC ..... **D24/164**  
(58) **Field of Classification Search**  
USPC ..... D24/164, 140, 110, 169; D21/411;  
600/538, 532; 128/202.13; 482/13  
CPC ..... A61B 5/087; A61B 5/0875; A61F 5/08;  
A63B 21/0085  
See application file for complete search history.

**OTHER PUBLICATIONS**

Screenshot\_published\_on\_website\_on\_Jan. 26, 2016\_1; http://www.myspiroo.com/.

(Continued)

*Primary Examiner* — Rhea Shields  
(74) *Attorney, Agent, or Firm* — Kornelia E. Wayda

(57) **CLAIM**

The ornamental design for a portable spirometer, as shown and described.

**DESCRIPTION**

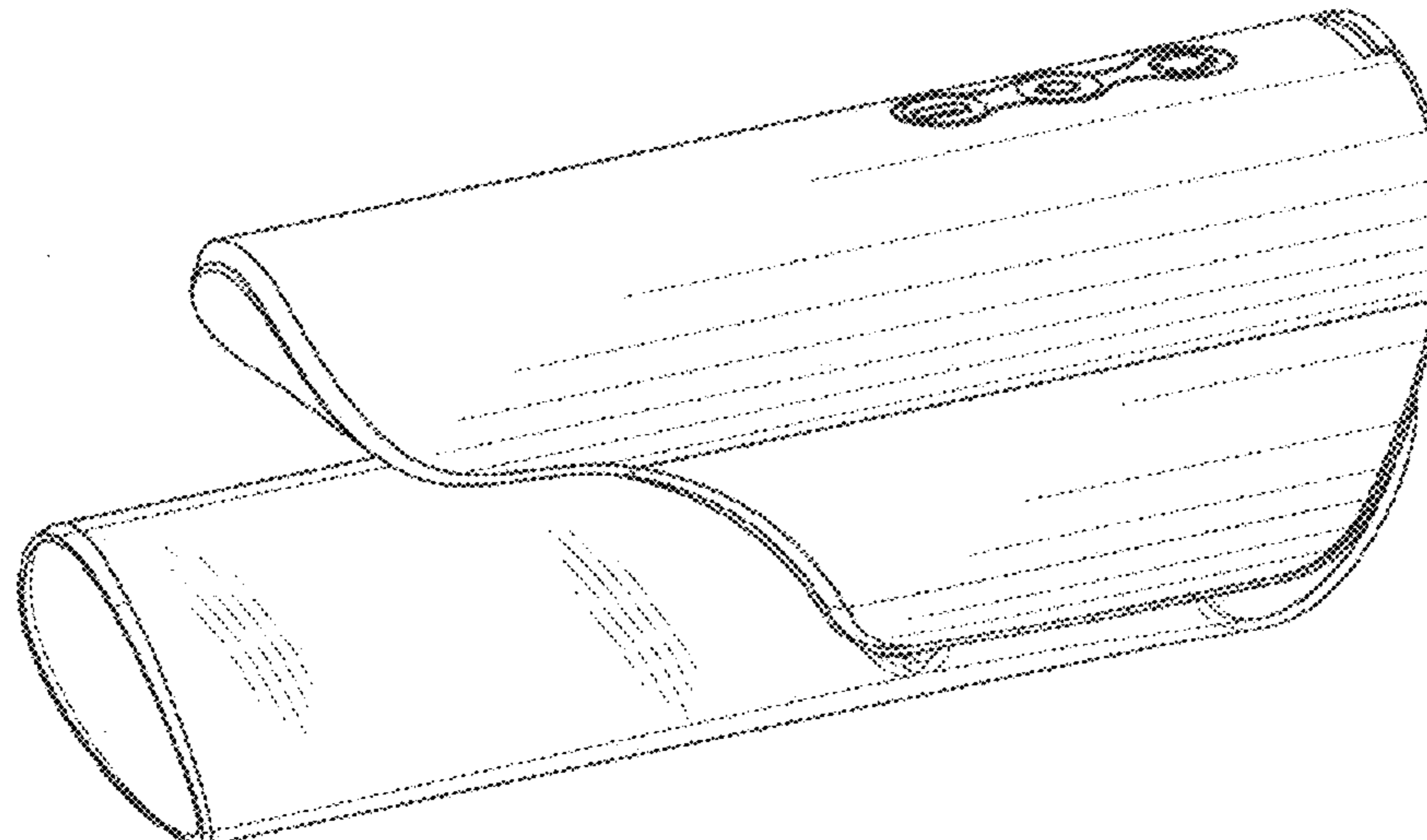
FIG. 1 is a front, top and left side perspective view of the portable spirometer according to the present invention; FIG. 2 is a front elevational view thereof; FIG. 3 is a rear elevational view thereof; FIG. 4 is a right side elevational view thereof; FIG. 5 is a left side elevational view thereof; FIG. 6 is a top plan view thereof; FIG. 7 is an exploded rear perspective view of the portable spirometer shown in FIG. 1 when separated into three parts; FIG. 8 is a front, top and left side perspective view of the connecting middle piece of the portable spirometer shown separately for clarity of the illustration; and, FIG. 9 is a front, bottom and left side perspective view of the connecting middle piece of the portable spirometer.

**1 Claim, 5 Drawing Sheets**

(56) **References Cited**

**U.S. PATENT DOCUMENTS**

D266,695 S \* 10/1982 Trammll ..... D21/411  
4,425,923 A \* 1/1984 Gordon ..... A61B 5/0875  
482/13  
D281,011 S \* 10/1985 Helfer ..... D24/110  
D302,464 S \* 7/1989 Quirke ..... D24/164  
4,934,359 A \* 6/1990 Blaine ..... A61F 5/08  
128/202.13  
4,991,591 A \* 2/1991 Jones ..... A61B 5/087  
600/532  
D325,634 S \* 4/1992 Sweeney, Jr. .... D24/164  
5,137,026 A \* 8/1992 Waterson ..... A61B 5/087  
600/538  
D332,661 S \* 1/1993 Sweeney, Jr. .... D24/169  
D335,343 S \* 5/1993 Jones ..... D24/110  
D339,635 S \* 9/1993 Waterson ..... D24/164  
D399,317 S \* 10/1998 Neny ..... D24/164



(56)

**References Cited**

U.S. PATENT DOCUMENTS

9,180,340 B2 \* 11/2015 Hsieh ..... A63B 21/0085  
 D744,655 S \* 12/2015 Benson ..... D24/164  
 D775,347 S \* 12/2016 Buess ..... D24/164  
 D775,350 S \* 12/2016 Buess ..... D24/164  
 D812,736 S \* 3/2018 Parker ..... D24/110  
 D820,447 S \* 6/2018 Brimer ..... D24/140

OTHER PUBLICATIONS

Screenshot\_published\_on\_website\_on\_Jan. 26, 2016\_2; <http://www.myspiroo.com/>.  
 Screenshot\_published\_on\_website\_on\_Jan. 26, 2016\_3; <http://www.myspiroo.com/>.  
 Innovators Under 35 ;Lukasz Koltowski 2016 Poland:“His portable smart spirometer will improve the lives of patients with pulmonary diseases”; MIT Technology Review; <http://www.innovatorsunder35.com/innovator/%C5%82ukasz-ko%C5%82owski>.  
 Photo\_1; Feb. 2, 2016; [www.myspiroo.com](http://www.myspiroo.com).  
 Photo\_2; Jan. 26, 2016; [www.myspiroo.com](http://www.myspiroo.com).

Photo\_3; Feb. 3, 2016; [www.myspiroo.com](http://www.myspiroo.com).  
 Photo\_4; Feb. 3, 2016; [www.myspiroo.com](http://www.myspiroo.com).  
 Photo\_5; Feb. 2, 2016; [www.myspiroo.com](http://www.myspiroo.com).  
 Photo\_6; Feb. 3, 2016; [www.myspiroo.com](http://www.myspiroo.com).  
 Photo\_7; Feb. 3, 2016; [www.myspiroo.com](http://www.myspiroo.com).  
 Photo\_8; Jan. 26, 2016; [www.myspiroo.com](http://www.myspiroo.com).  
 Photo\_9; Feb. 2, 2016; [www.myspiroo.com](http://www.myspiroo.com).  
 Photo\_10; Feb. 2, 2016; [www.myspiroo.com](http://www.myspiroo.com).  
 Photo\_11; Jan. 26, 2016; [www.myspiroo.com](http://www.myspiroo.com).  
 Screenshot\_website\_Apr. 21, 2017\_1; <http://www.myspiroo.com/>.  
 Screenshot\_website\_Apr. 21, 2017\_2; <http://www.myspiroo.com/>.  
 Screenshot\_website\_Apr. 21, 2017\_3; <http://www.myspiroo.com/>.  
 Photo\_1; Jan. 26, 2016; [www.myspiroo.com](http://www.myspiroo.com).  
 Photo\_3; Jan. 26, 2016; [www.myspiroo.com](http://www.myspiroo.com).  
 Photo\_4; Jan. 26, 2016; [www.myspiroo.com](http://www.myspiroo.com).  
 Photo\_5; Jan. 26, 2016; [www.myspiroo.com](http://www.myspiroo.com).  
 Photo\_6; Jan. 26, 2016; [www.myspiroo.com](http://www.myspiroo.com).  
 Photo\_7; Jan. 26, 2016; [www.myspiroo.com](http://www.myspiroo.com).  
 Photo\_9; Jan. 26, 2016; [www.myspiroo.com](http://www.myspiroo.com).  
 Photo\_10; Jan. 26, 2016; [www.myspiroo.com](http://www.myspiroo.com).

\* cited by examiner

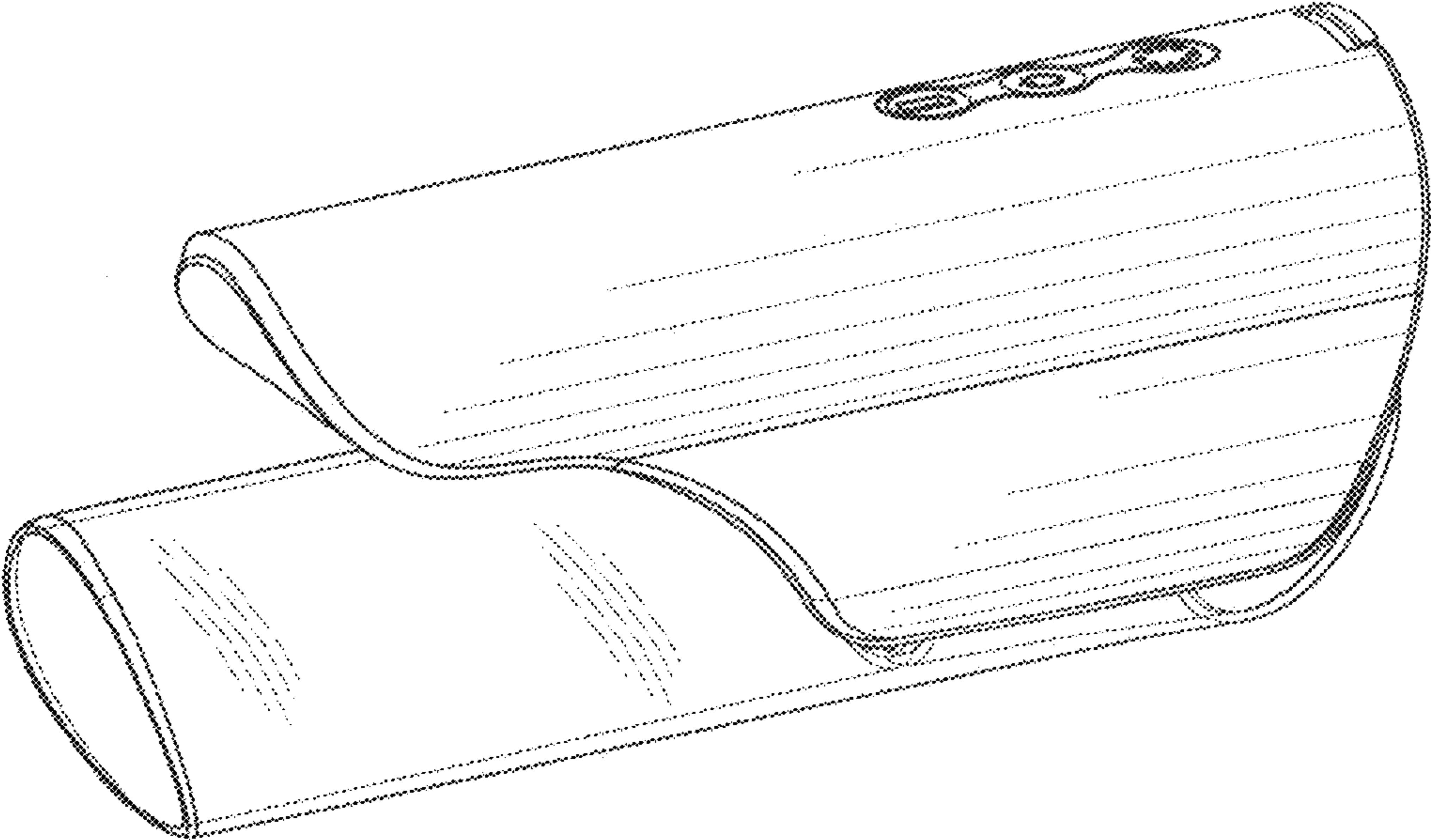


FIG. 1

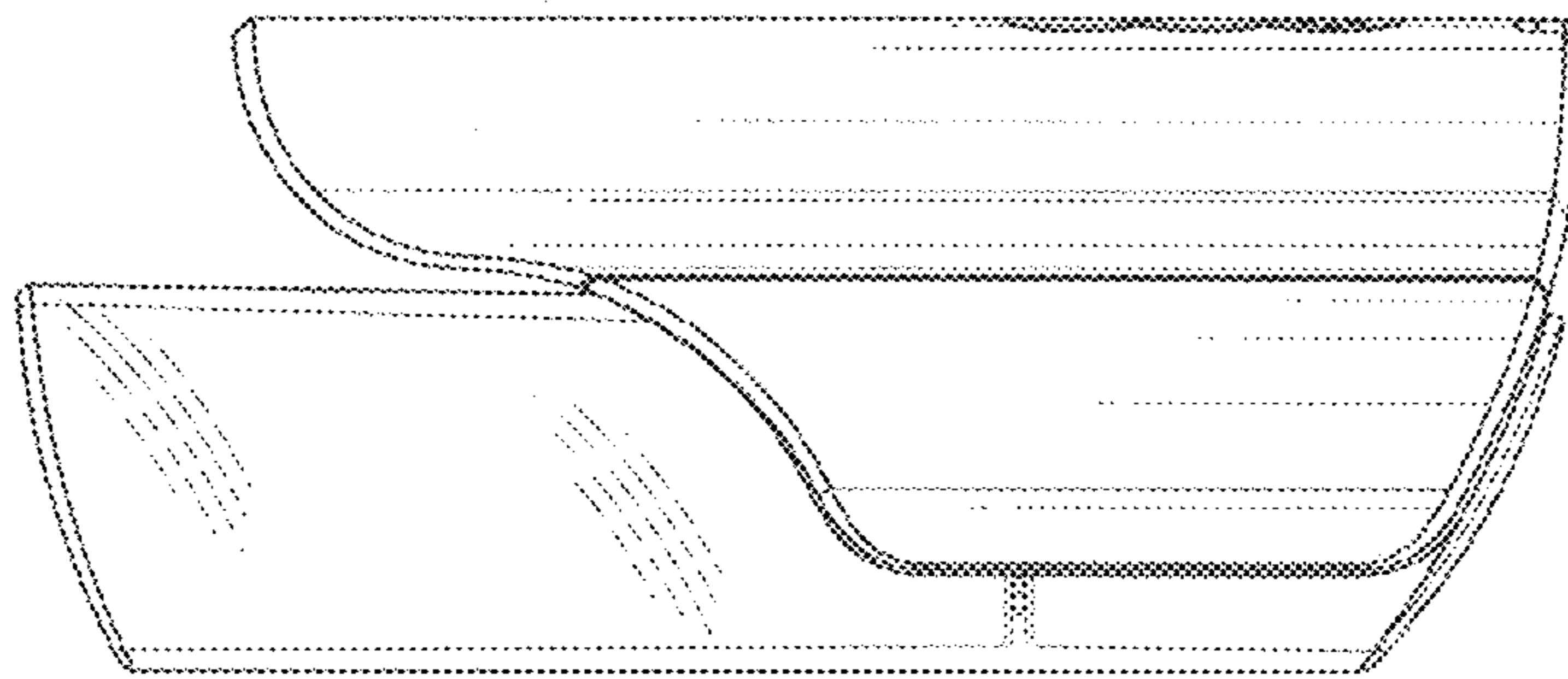


FIG. 2

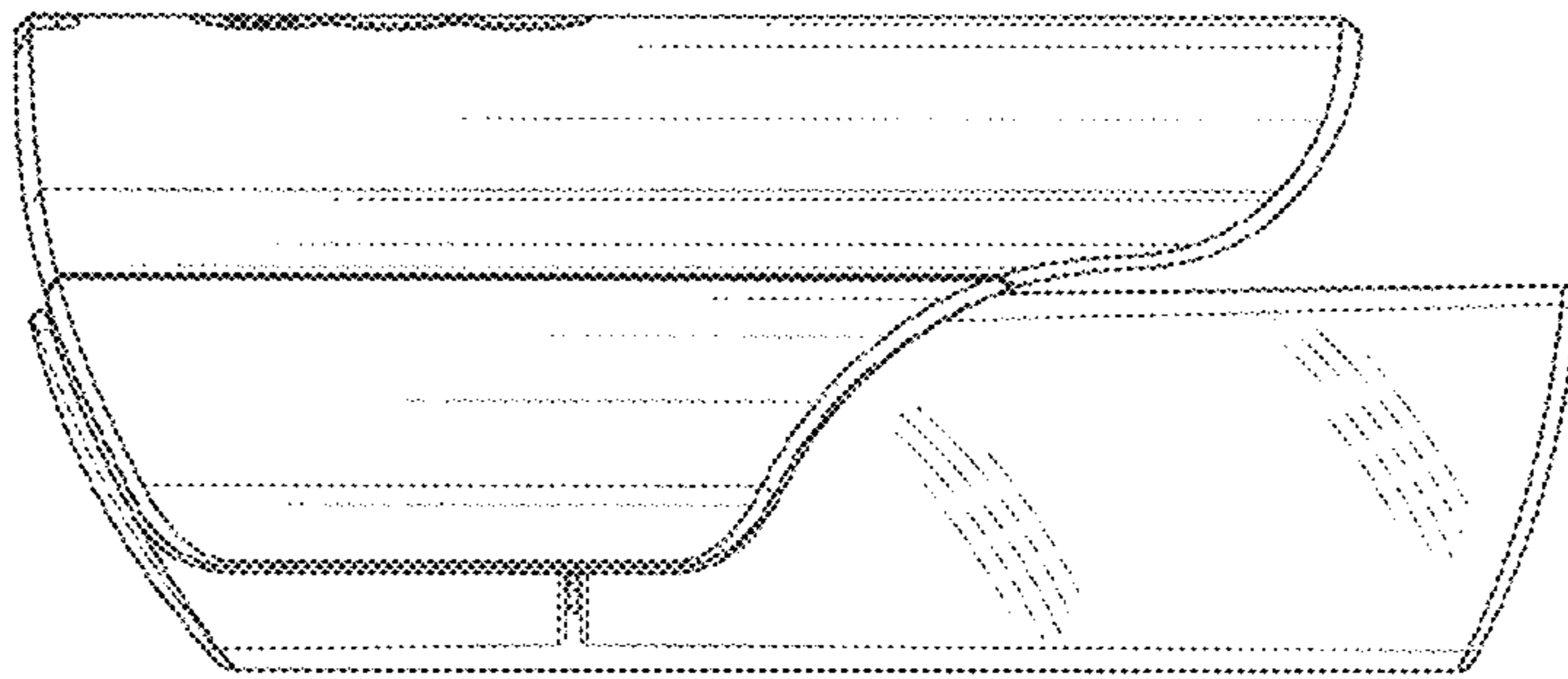


FIG. 3

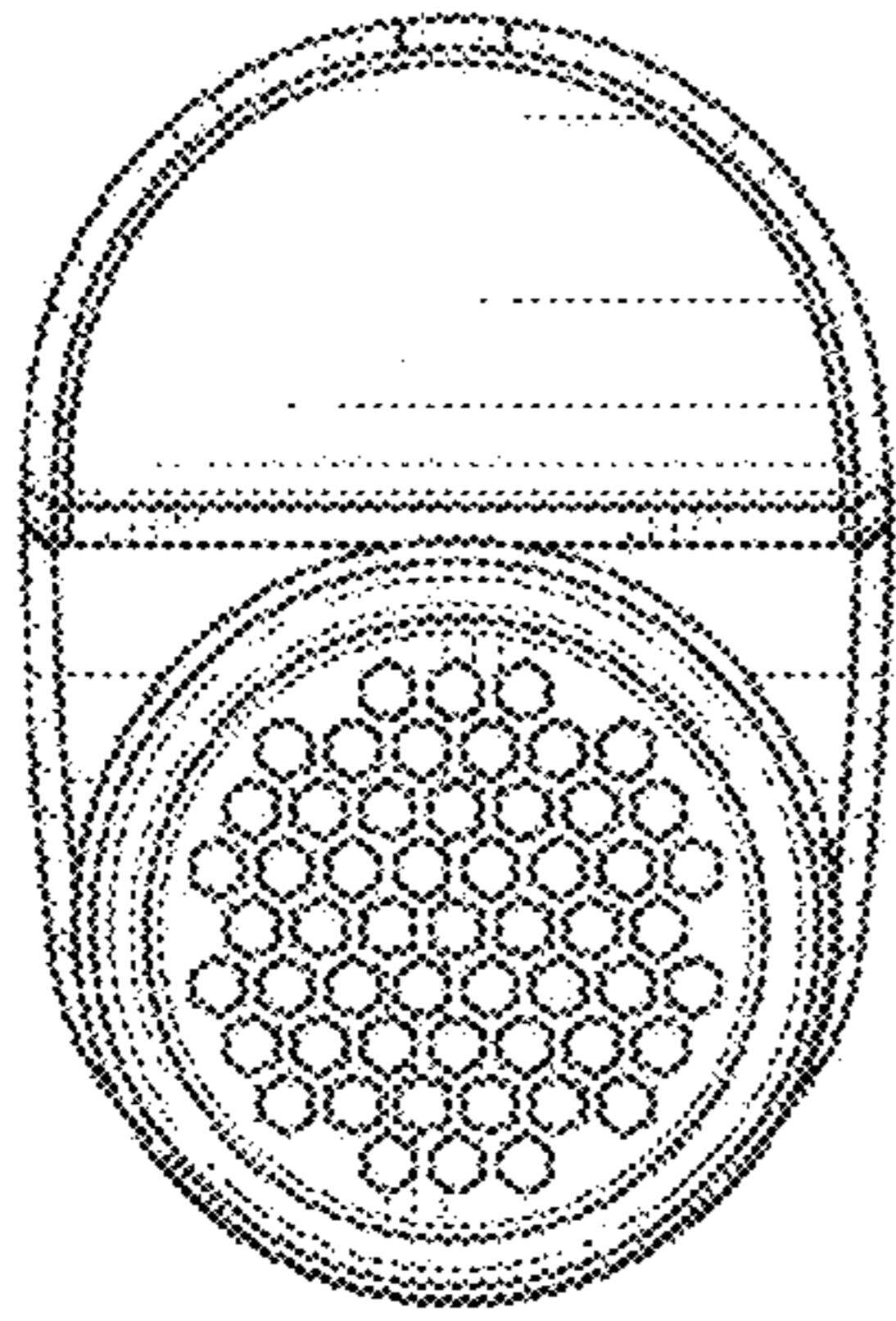


FIG. 4

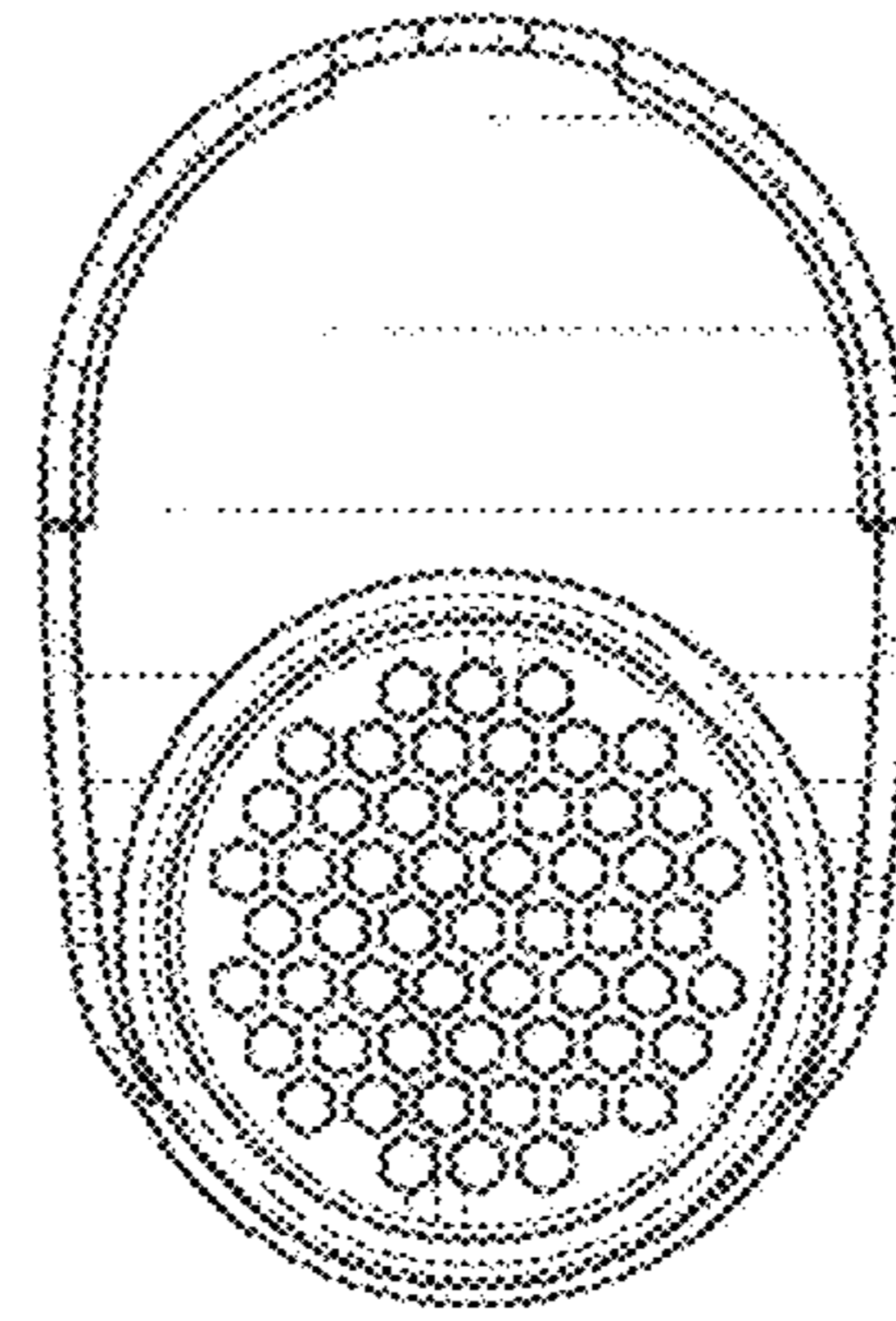


FIG. 5

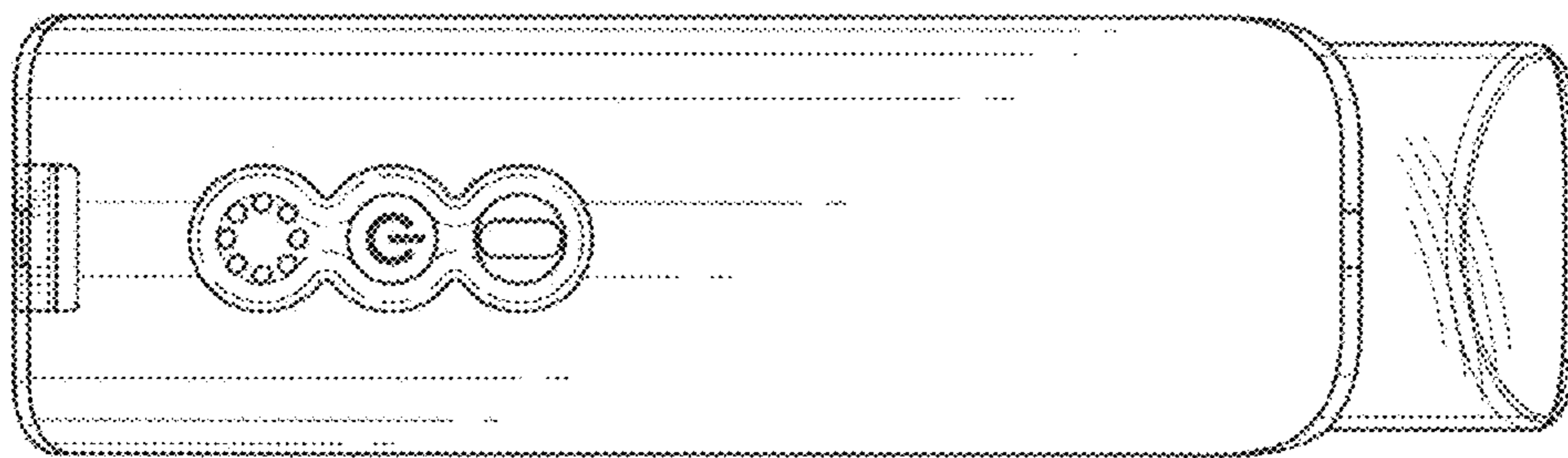


FIG. 6

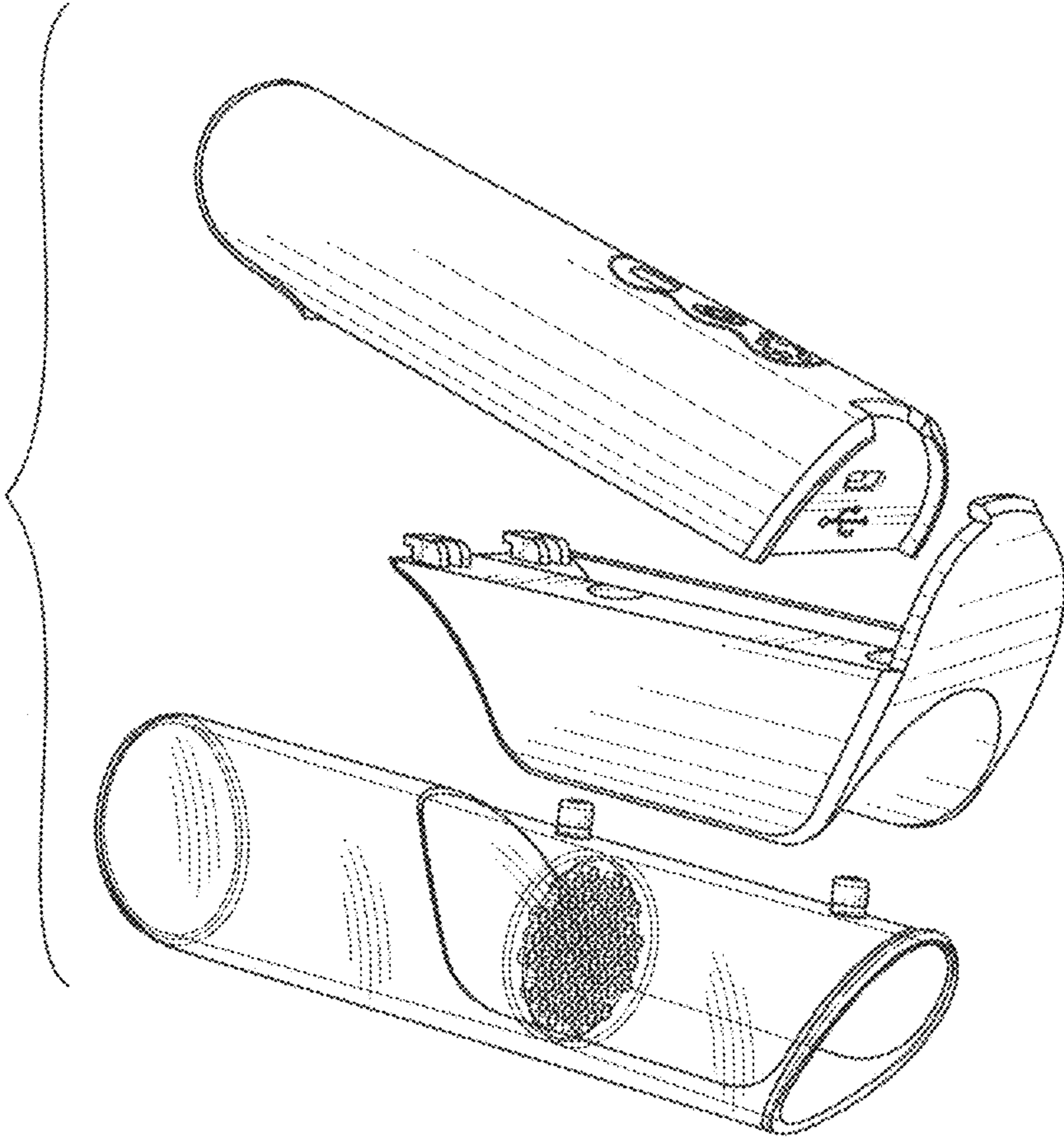


FIG. 7

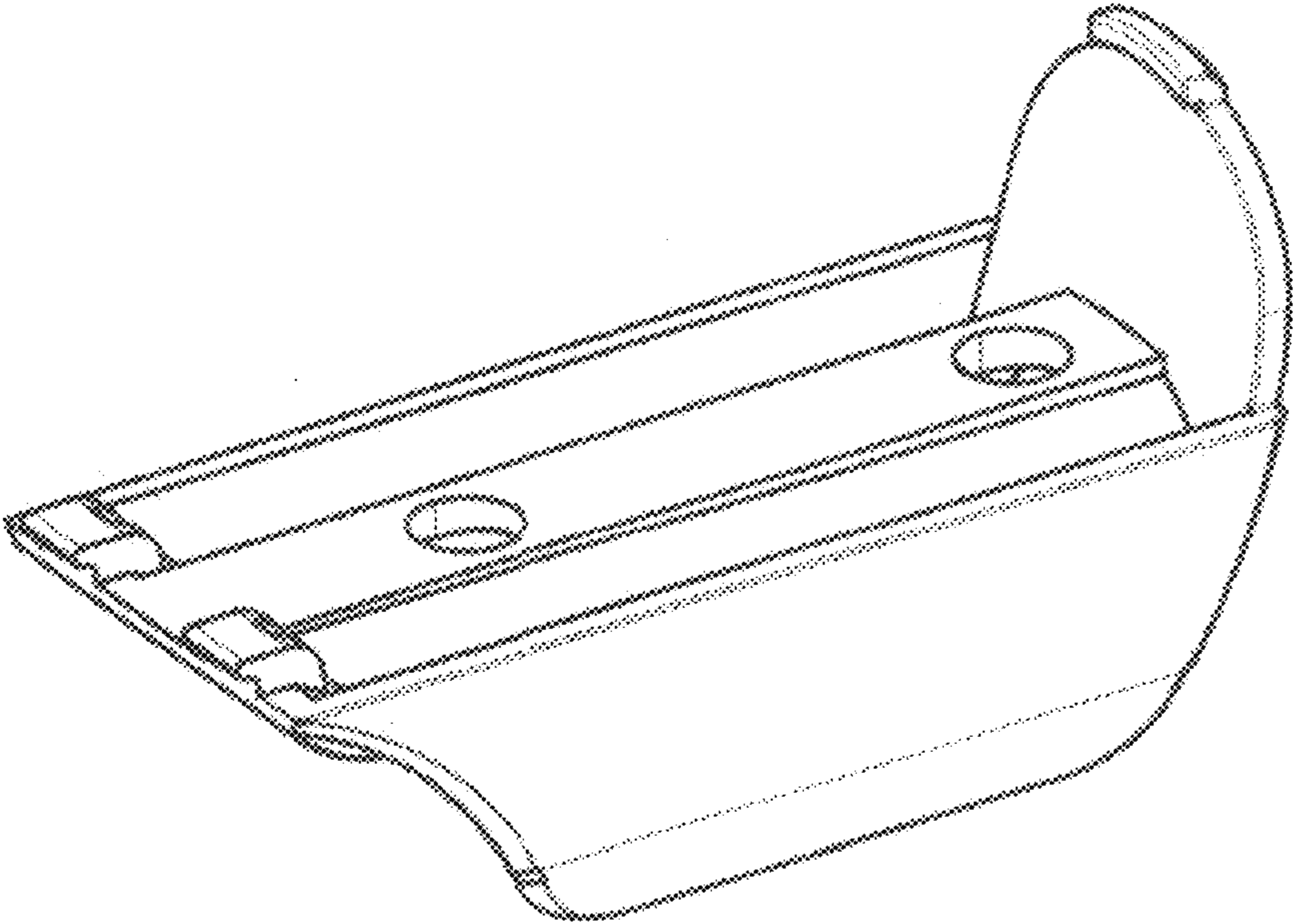


FIG. 8

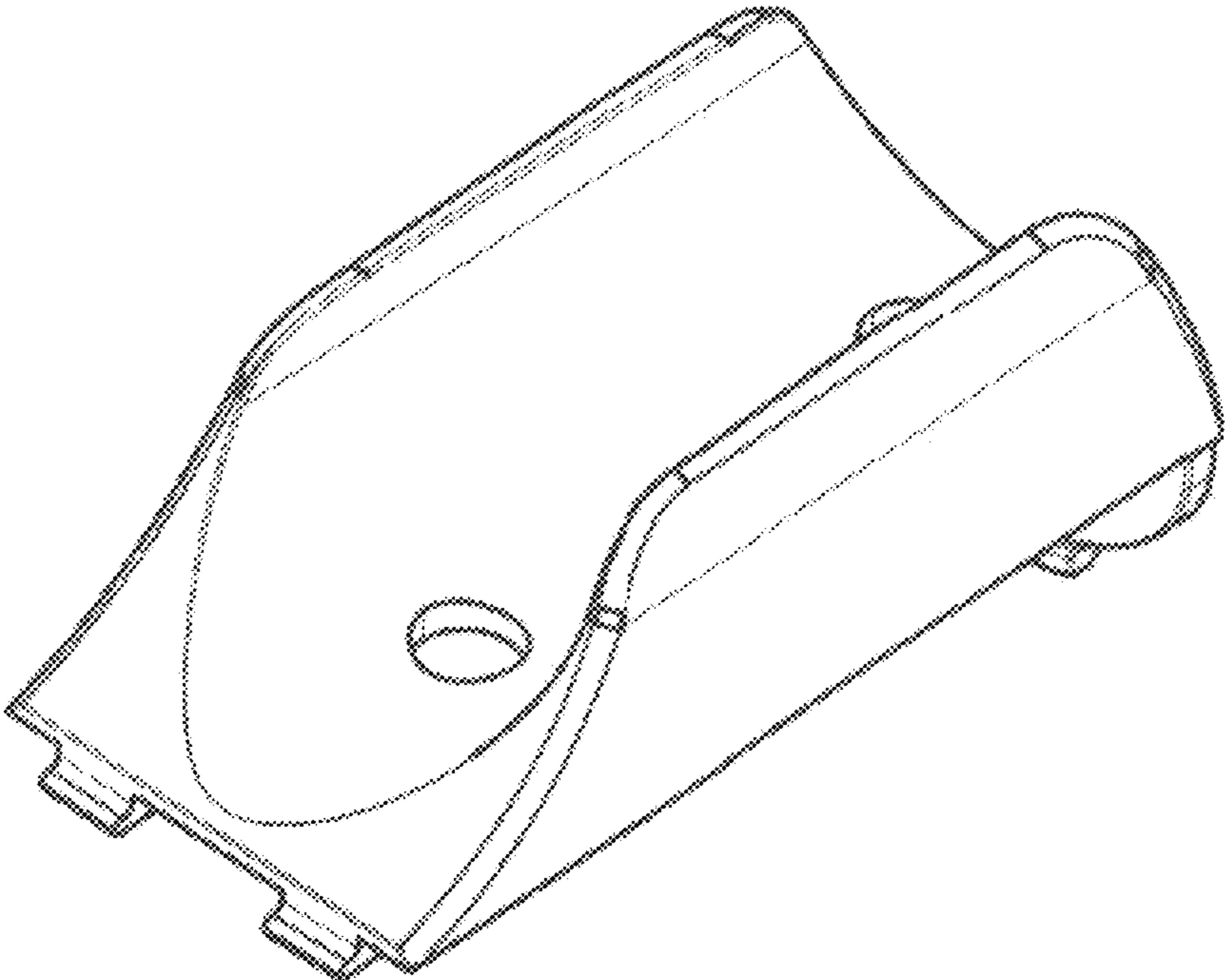


FIG. 9