

US00D833011S

(12) **United States Design Patent** (10) **Patent No.:** **US D833,011 S**
Nazarinasab et al. (45) **Date of Patent:** **** Nov. 6, 2018**

(54) **SURGICAL INSTRUMENT**

(71) Applicants: **Dariush Nazarinasab**, Karaj (IR);
Javad Hasani Bidgoli, Tehran (IR);
Mohammad Jalal Sadeghi, Tehran (IR);
Alireza Ahmadian, Tehran (IR);
Farzam Farahmand, Tehran (IR);
Saeed Sarkar, Tehran (IR)

(72) Inventors: **Dariush Nazarinasab**, Karaj (IR);
Javad Hasani Bidgoli, Tehran (IR);
Mohammad Jalal Sadeghi, Tehran (IR);
Alireza Ahmadian, Tehran (IR);
Farzam Farahmand, Tehran (IR);
Saeed Sarkar, Tehran (IR)

(**) Term: **15 Years**

(21) Appl. No.: **29/582,903**

(22) Filed: **Oct. 31, 2016**

(51) **LOC (11) Cl.** **24-02**

(52) **U.S. Cl.**

USPC **D24/147**

(58) **Field of Classification Search**

USPC D24/107, 108, 109, 112, 113, 114, 115,
D24/117, 118, 119, 121, 127, 129, 130,
D24/133, 135, 186, 189-192, 146, 147,
D24/148; 604/117, 217, 227, 187, 212,
604/275, 278, 279, 911; D9/707, 709,
D9/718, 719, 724, 732, 688, 689, 690,
D9/686, 696, 302, 367; 600/101, 139,
600/145

CPC A61B 17/1617; A61B 17/3211
See application file for complete search history.

(56) **References Cited**

U.S. PATENT DOCUMENTS

6,689,096 B1 * 2/2004 Loubens A61M 29/02
600/7
D594,120 S * 6/2009 Berberich D24/108

D622,379 S * 8/2010 Singh D24/130
D638,930 S * 5/2011 Moehle D24/112
8,454,565 B2 * 6/2013 Braga A61M 25/00
604/164.03
9,005,154 B2 * 4/2015 Matson A61M 25/003
604/4.01
D755,377 S * 5/2016 Thouement D24/138
D798,448 S * 9/2017 Marchal D24/138
2004/0039348 A1 * 2/2004 Kim A61M 3/0241
604/264
2017/0000579 A1 * 1/2017 Mark A61B 90/11

* cited by examiner

Primary Examiner — Thomas Johannes
Assistant Examiner — Samantha Q. Lawrence
(74) *Attorney, Agent, or Firm* — NovoTechIP
International PLLC

(57) **CLAIM**

We claim the ornamental design for a surgical instrument, substantially as shown and described.

DESCRIPTION

FIG. 1 is a right perspective view of the surgical instrument in accordance with the new design;
FIG. 2 is a left perspective view of the surgical instrument in FIG. 1;
FIG. 3 is a left-side view thereof;
FIG. 4 is a right-side view thereof;
FIG. 5 is a top view thereof;
FIG. 6 is a bottom view thereof; and,
FIG. 7 is a front view thereof.
The broken lines shown in FIGS. 1-7 illustrate portions of the surgical instrument that form no part of the claimed design.

1 Claim, 7 Drawing Sheets

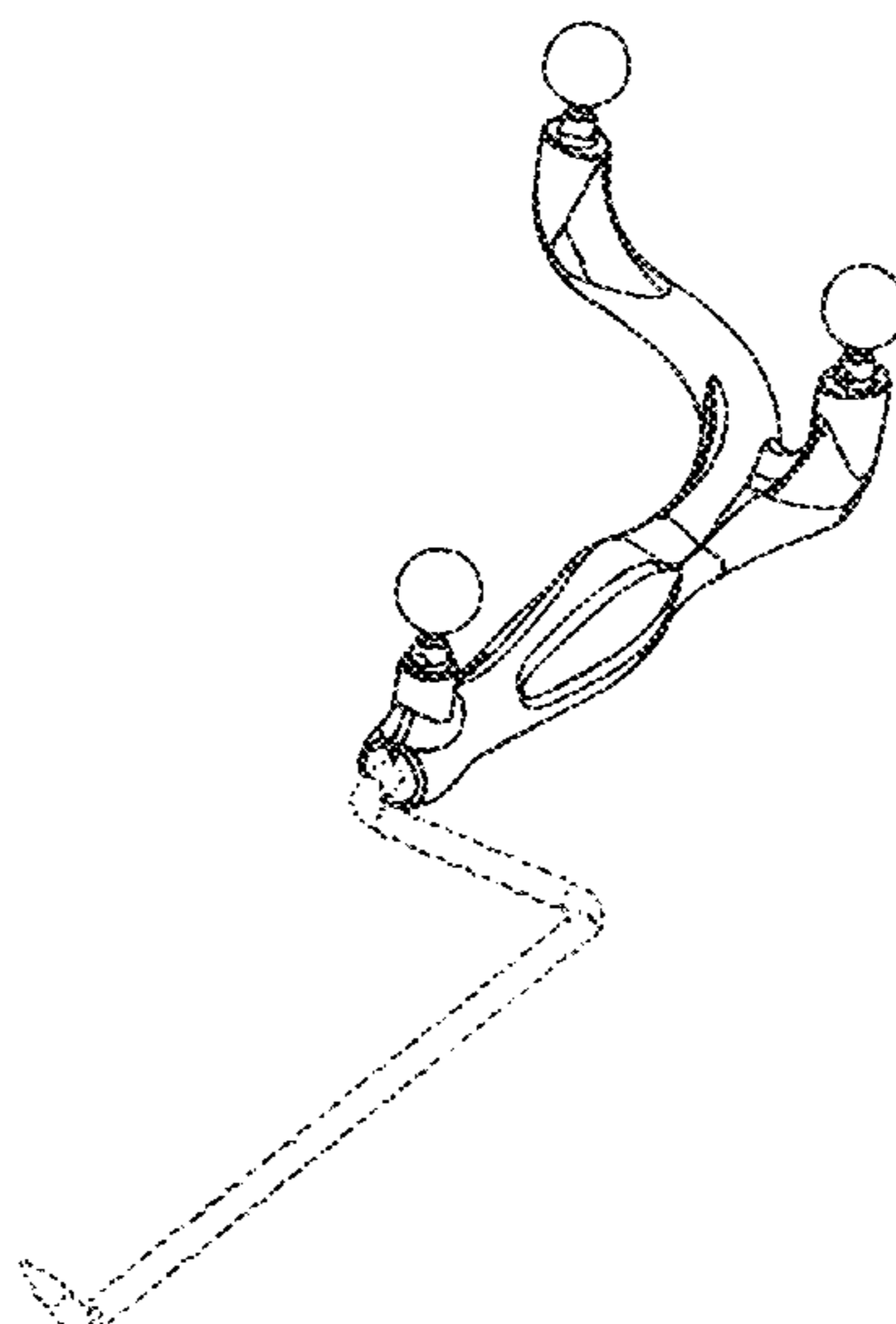
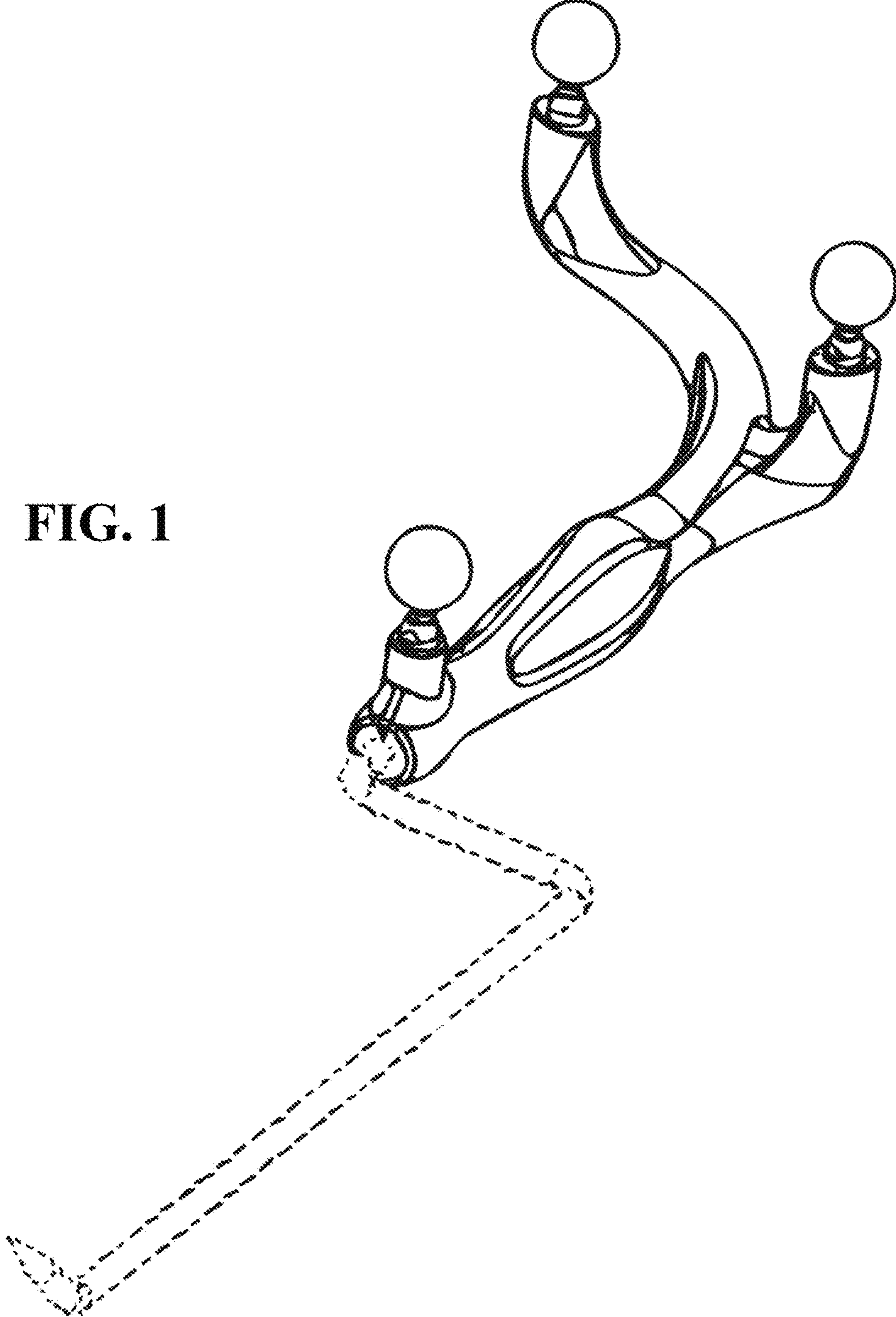


FIG. 1



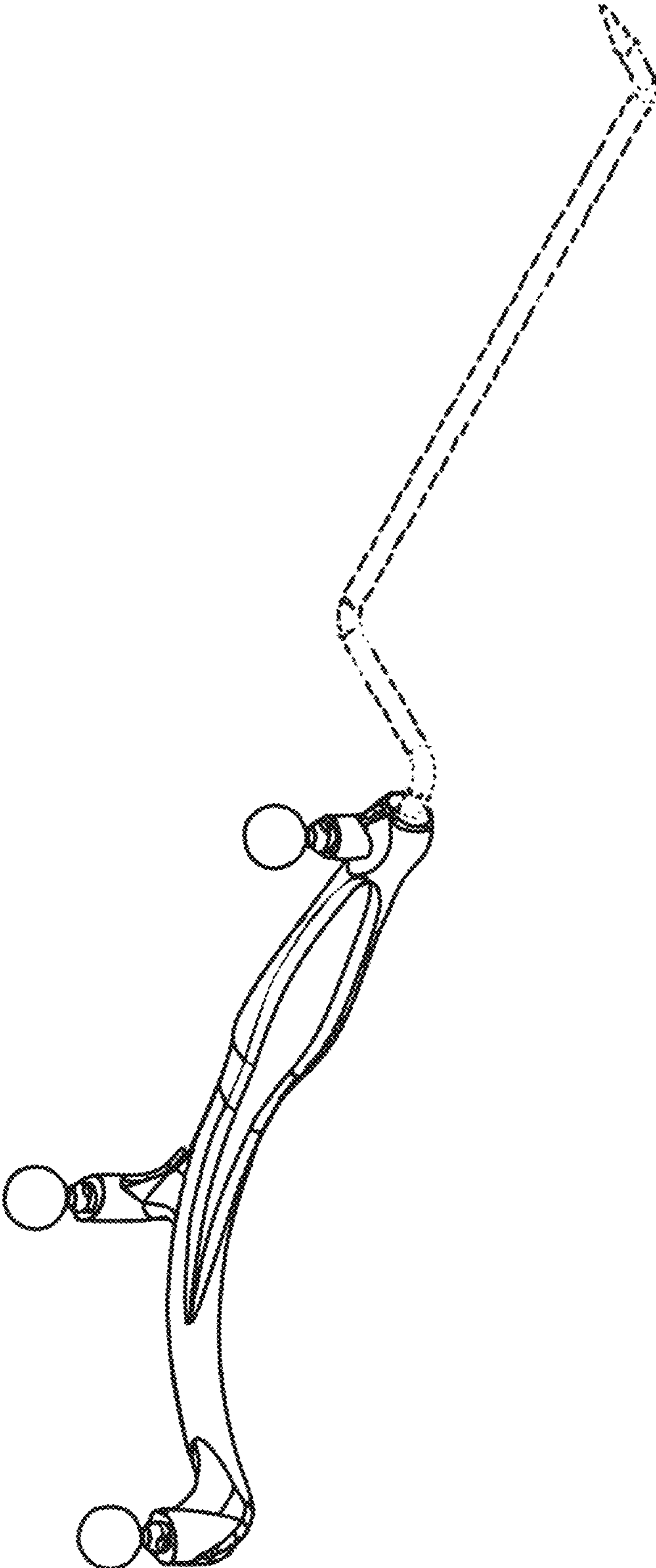


FIG. 2

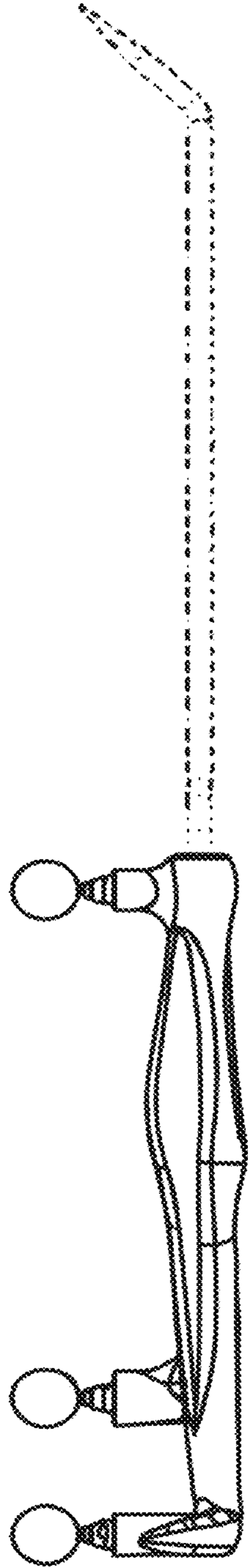


FIG. 3

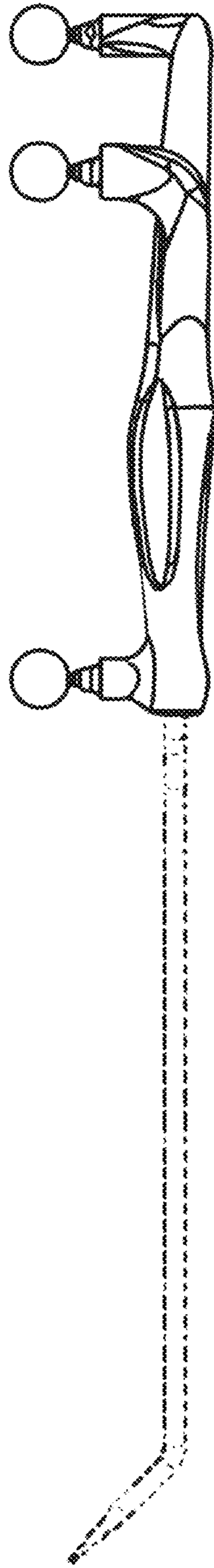


FIG. 4

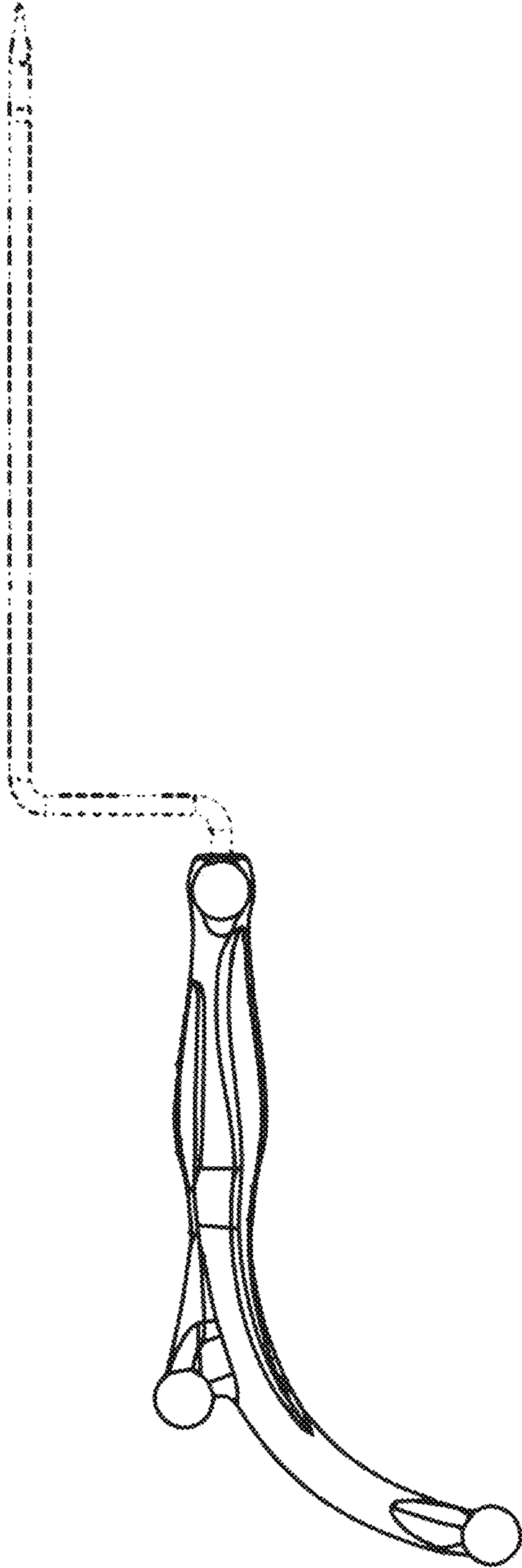


FIG. 5

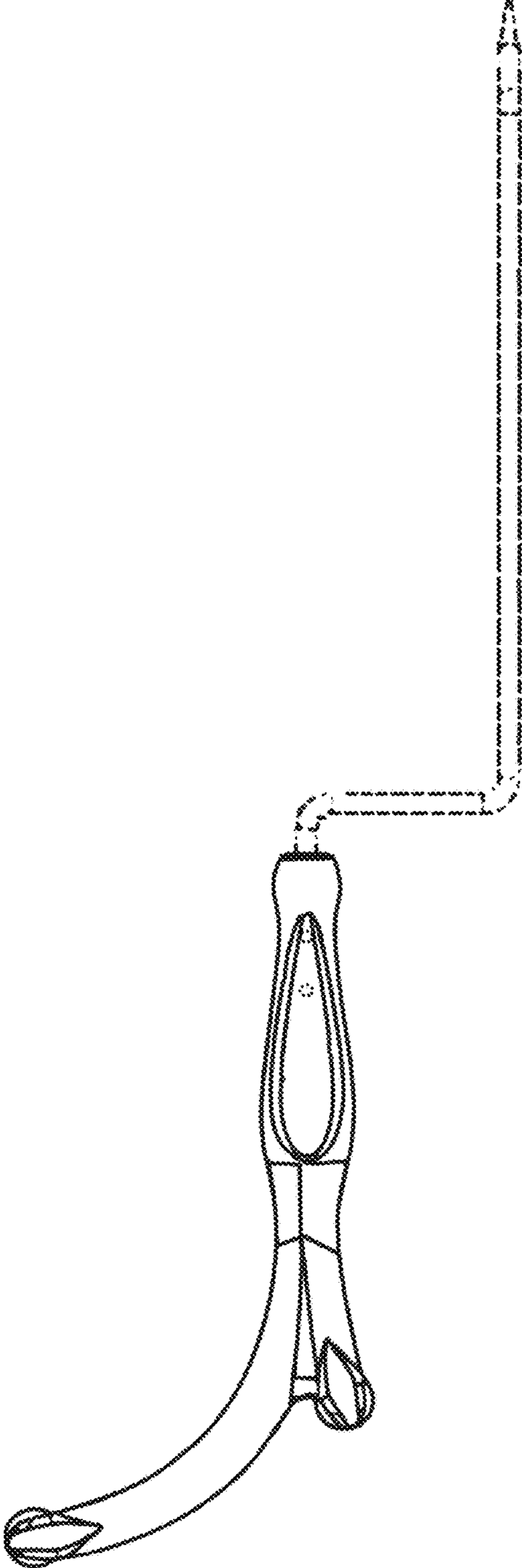


FIG. 6

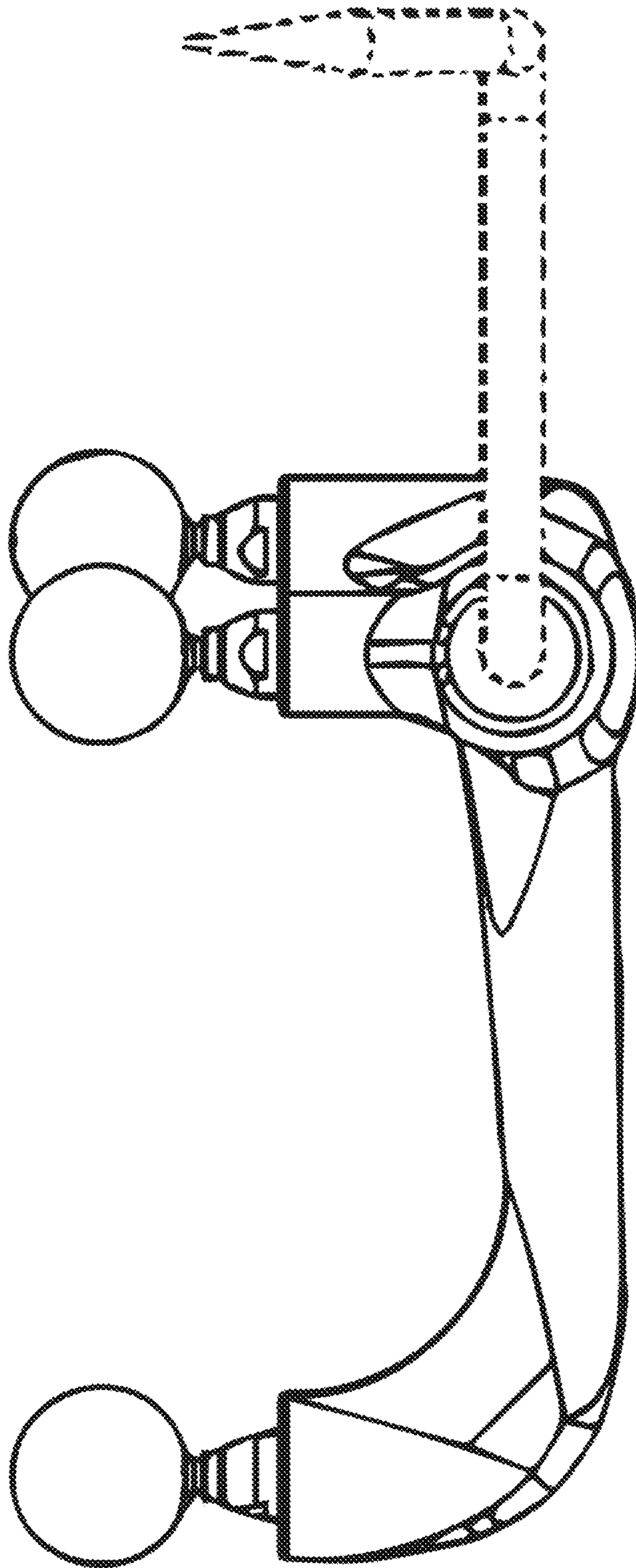


FIG. 7