



US00D833004S

(12) **United States Design Patent** (10) **Patent No.:** **US D833,004 S**
Leonard (45) **Date of Patent:** **** Nov. 6, 2018**

(54) **VAPOR TRANSFER CARTRIDGE FOR USE IN A RESPIRATORY THERAPY SYSTEM**

FOREIGN PATENT DOCUMENTS

(71) Applicant: **Vapotherm, Inc.**, Exeter, NH (US)

EP	3025775	6/2016
WO	WO-2005097307	10/2005
WO	WO-2007038152	4/2007
WO	WO-2009045198	4/2009
WO	WO-2016110321	7/2016

(72) Inventor: **Scott A. Leonard**, Bedford, NH (US)

(73) Assignee: **VAPOTHERM, INC.**, Exeter, NH (US)

OTHER PUBLICATIONS

(**) Term: **15 Years**

International Search Report and Written Opinion for International Application No. PCT/US2017/057096 dated Feb. 7, 2018 (12 pages).

(21) Appl. No.: **29/581,594**

* cited by examiner

(22) Filed: **Oct. 20, 2016**

(51) **LOC (11) Cl.** **24-02**

Primary Examiner — David Muller

(52) **U.S. Cl.**
USPC **D24/127**

(74) *Attorney, Agent, or Firm* — White & Case LLP

(58) **Field of Classification Search**
USPC D24/127–131, 112–114, 133, 186;
606/181, 185; 604/264, 523–528, 272,
604/187, 158, 164.01–164.11, 181, 184,
604/227; 600/101, 139, 143;
128/200.24, 207.14, 207.15
CPC A61M 16/161; A61M 16/0003
See application file for complete search history.

(57) **CLAIM**

The ornamental design for a vapor transfer cartridge for use in a respiratory therapy system, as shown and described.

DESCRIPTION

(56) **References Cited**

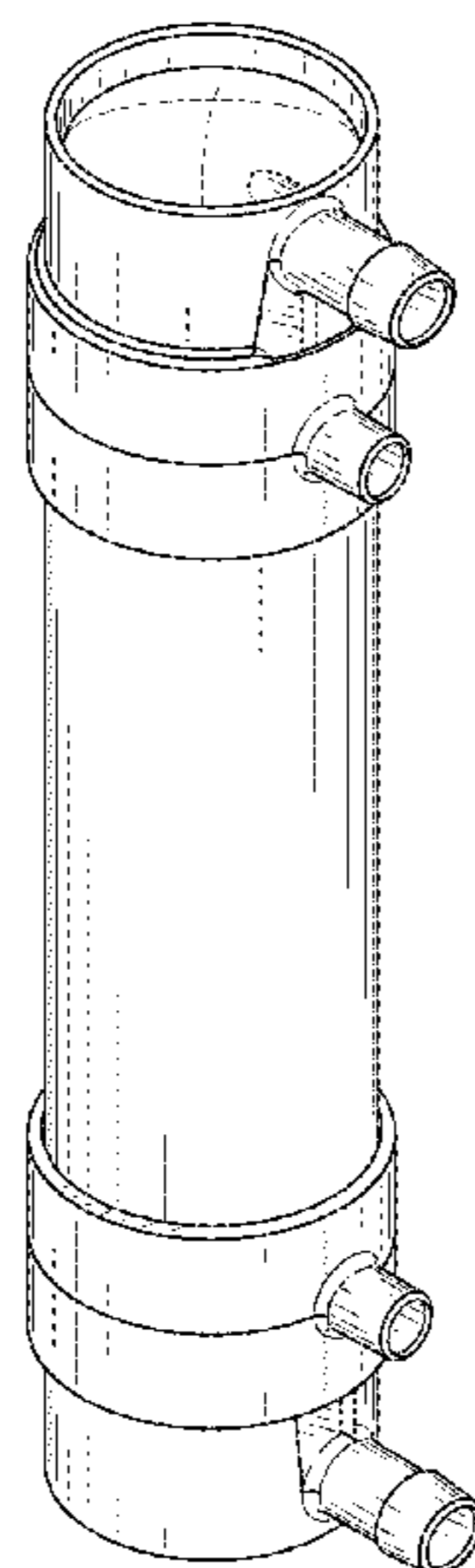
U.S. PATENT DOCUMENTS

4,430,994 A	2/1984	Clawson et al.	
D288,129 S *	2/1987	Taylor	D24/117
D322,124 S *	12/1991	Lichte	D24/117
D640,786 S *	6/2011	Sato	D24/117
D705,423 S *	5/2014	Walsh Cutler	D24/122
8,857,429 B2 *	10/2014	Spandorfer	A61M 15/009 128/200.23
D735,880 S *	8/2015	Bargh	D24/224
D765,836 S *	9/2016	Kammer	D24/121
D803,394 S *	11/2017	Hamel	D24/121
D805,193 S *	12/2017	Shoji	D24/129
2010/0059053 A1	3/2010	Niland	
2012/0137879 A1	6/2012	Taylor et al.	

FIG. 1 is a perspective view from the top, front and left of a vapor transfer cartridge for use in a respiratory therapy system;
FIG. 2 is a perspective view from the top, rear, and right side thereof;
FIG. 3 is a front elevation view thereof;
FIG. 4 is a rear elevation view thereof;
FIG. 5 is a left side elevation view thereof;
FIG. 6 is a right side elevation view thereof; and,
FIG. 7 is a top view thereof.

The bottom view of the vapor transfer cartridge is the same as the top view thereof. The broken-line portions of the vapor transfer cartridge for use in a respiratory therapy system in FIGS. 1-7 are shown for illustrative purposes only and form no part of the claimed design.

1 Claim, 3 Drawing Sheets



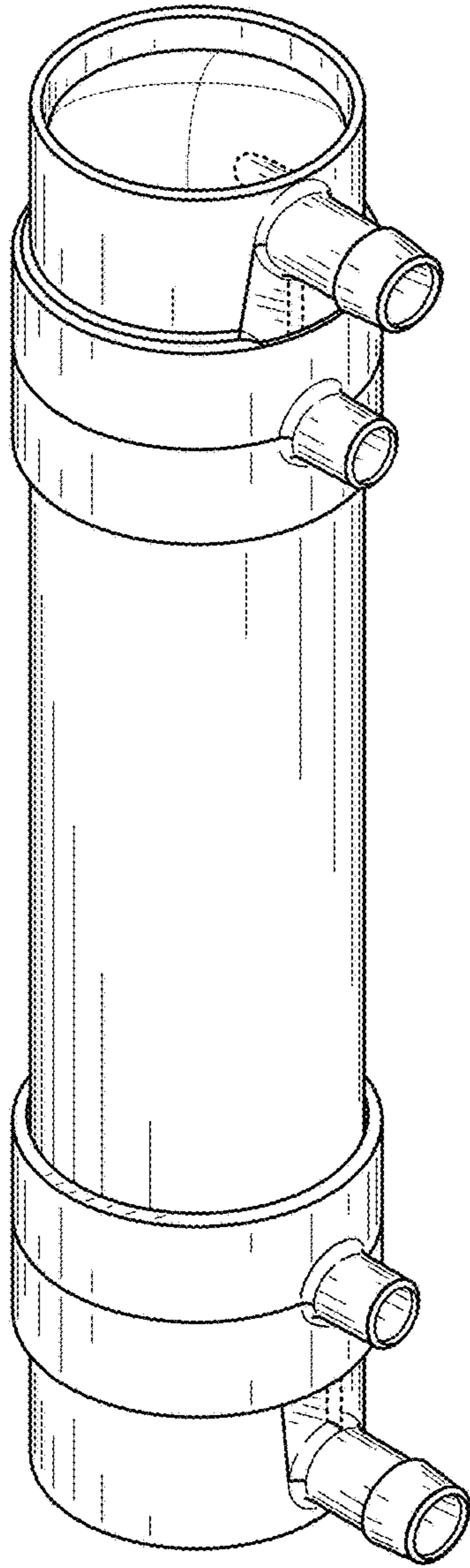


FIG. 1

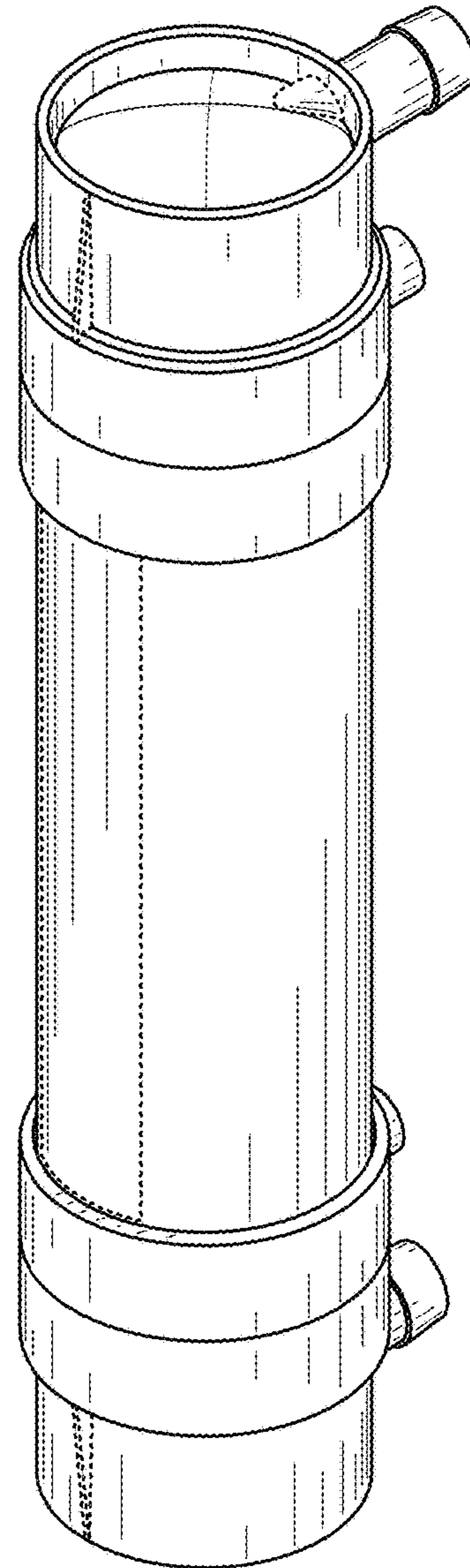


FIG. 2

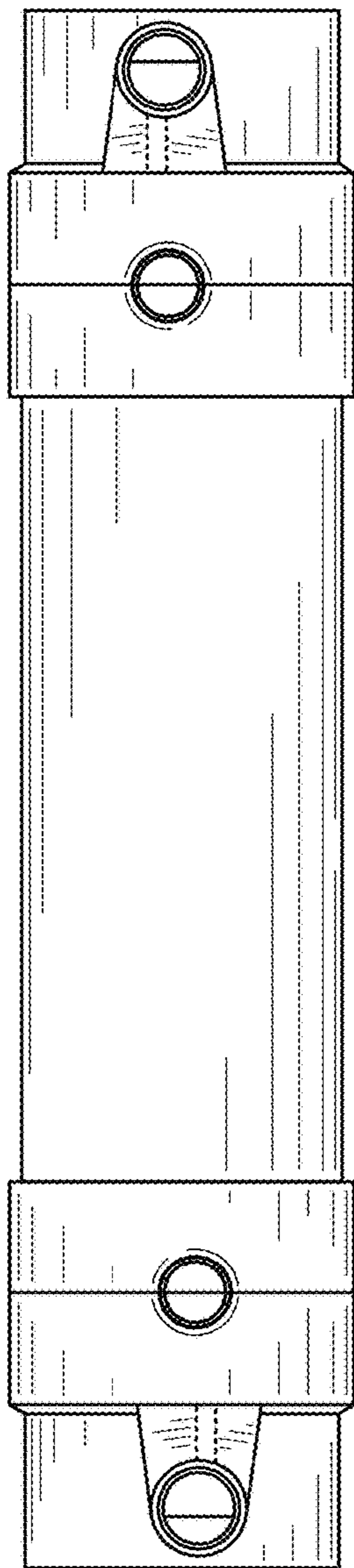


FIG. 3

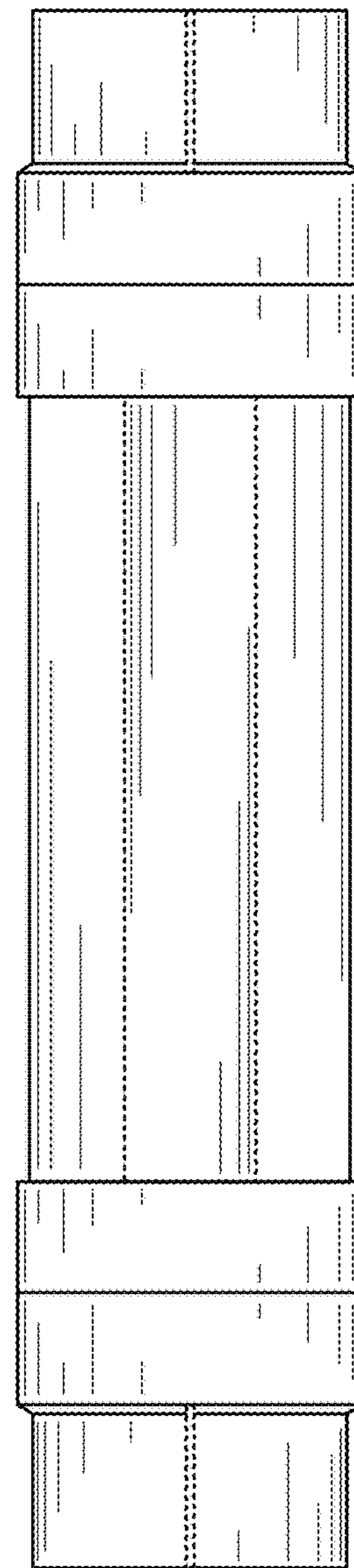


FIG. 4

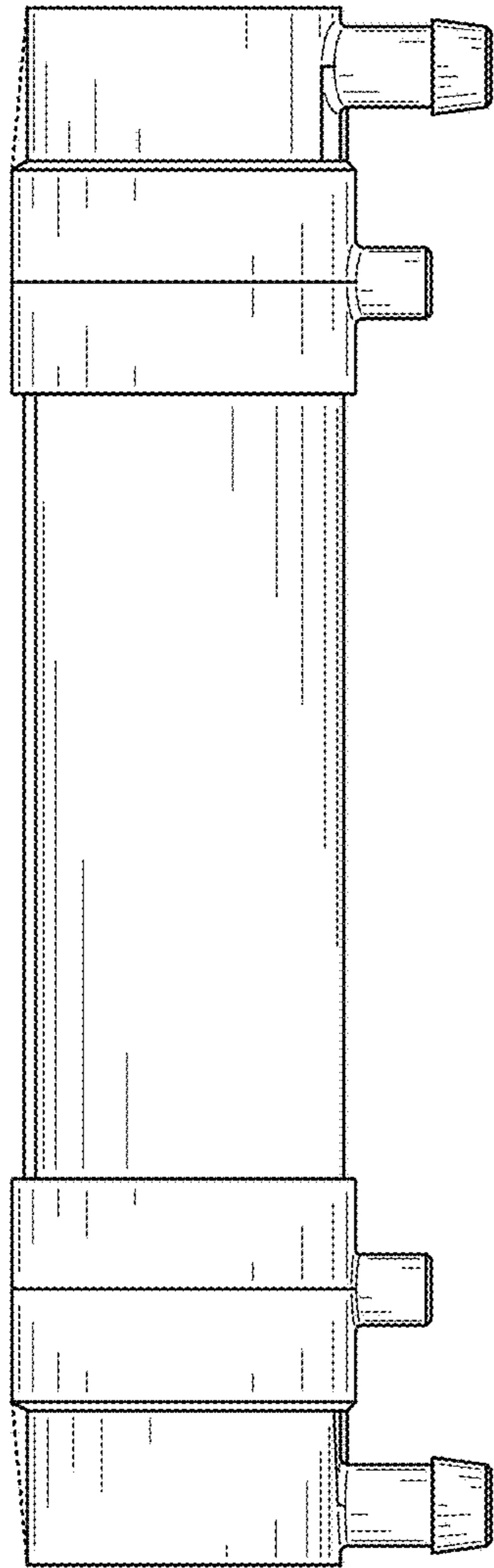


FIG. 5

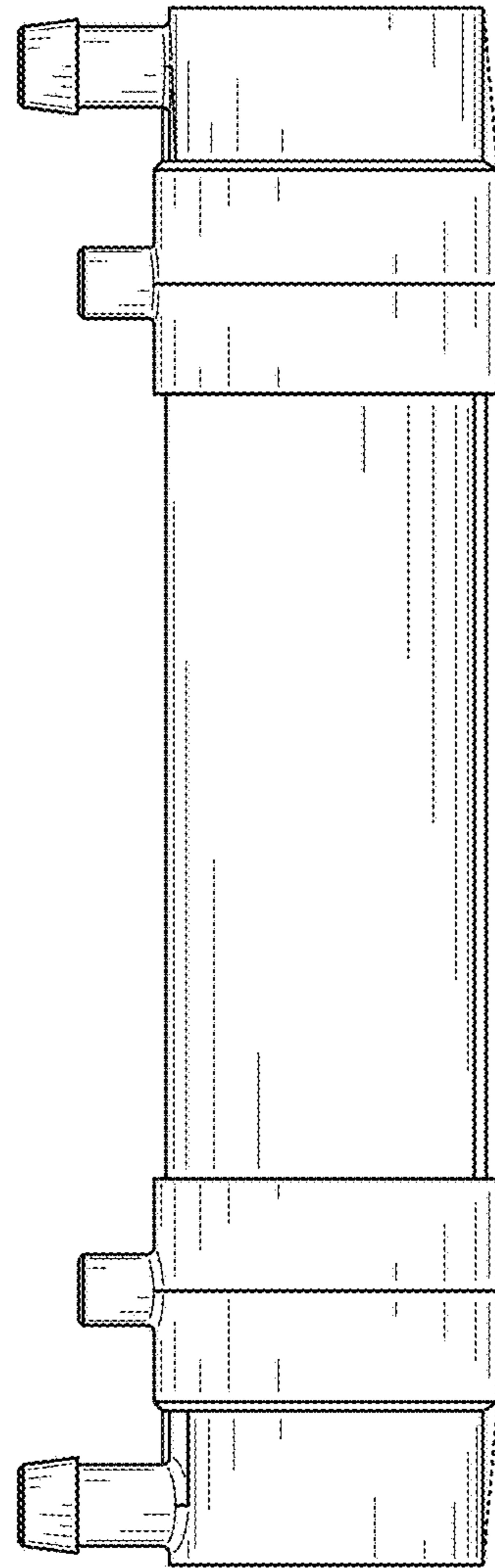


FIG. 6

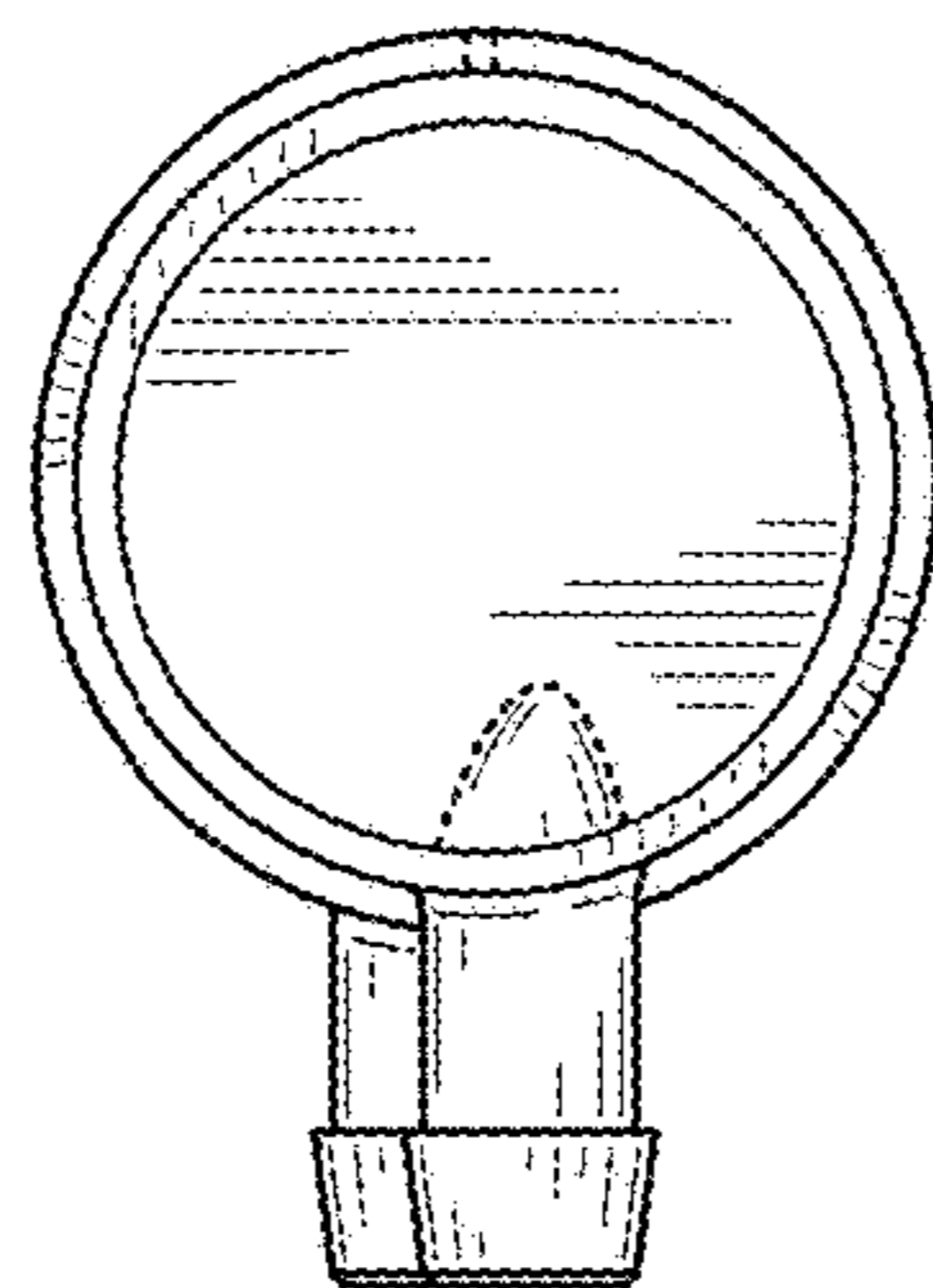


FIG. 7

UNITED STATES PATENT AND TRADEMARK OFFICE
CERTIFICATE OF CORRECTION

PATENT NO. : D833,004 S
APPLICATION NO. : 29/581594
DATED : November 6, 2018
INVENTOR(S) : Scott Leonard

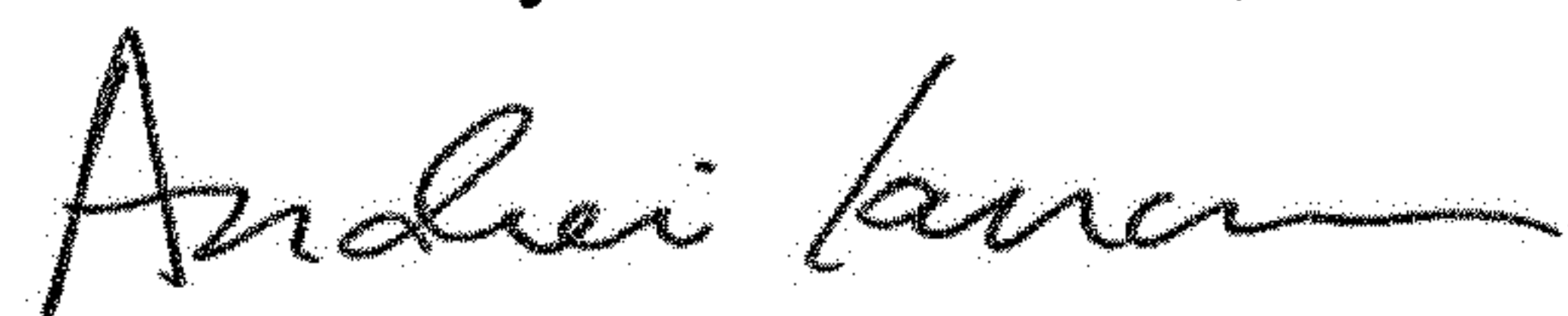
Page 1 of 4

It is certified that error appears in the above-identified patent and that said Letters Patent is hereby corrected as shown below:

In the Drawings

Please replace Sheet 1, FIGs. 1 and 2; Sheet 2; FIGs. 3-4; and Sheet 3, FIGs. 5-7 as shown on the attached pages.

Signed and Sealed this
Tenth Day of November, 2020



Andrei Iancu
Director of the United States Patent and Trademark Office

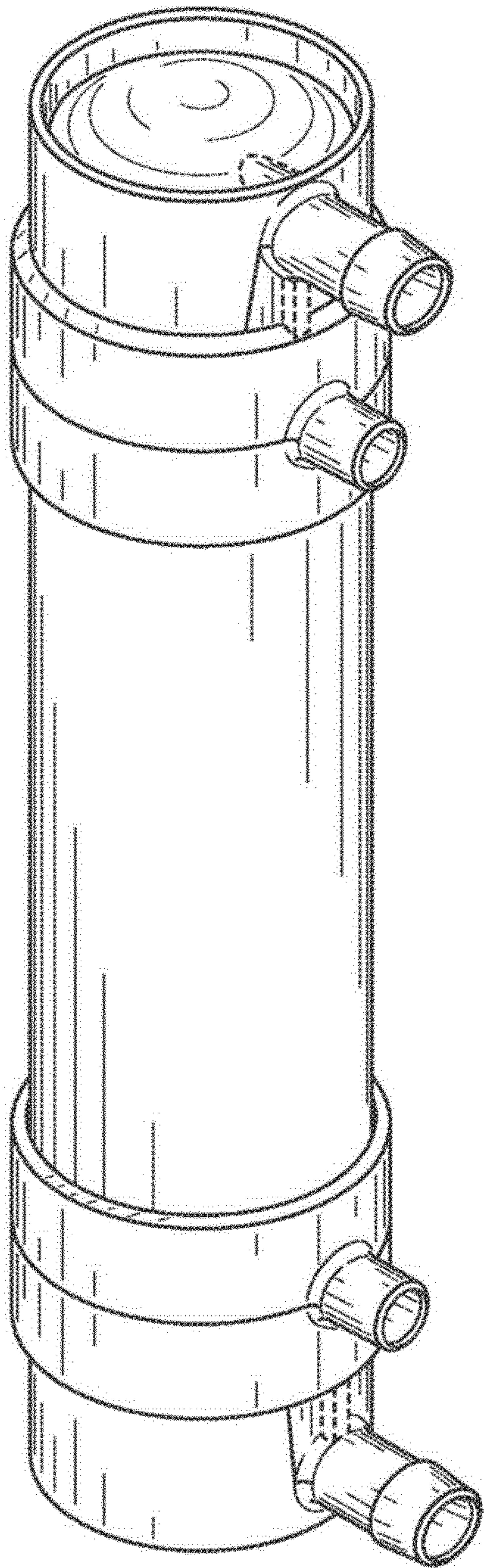


FIG. 1

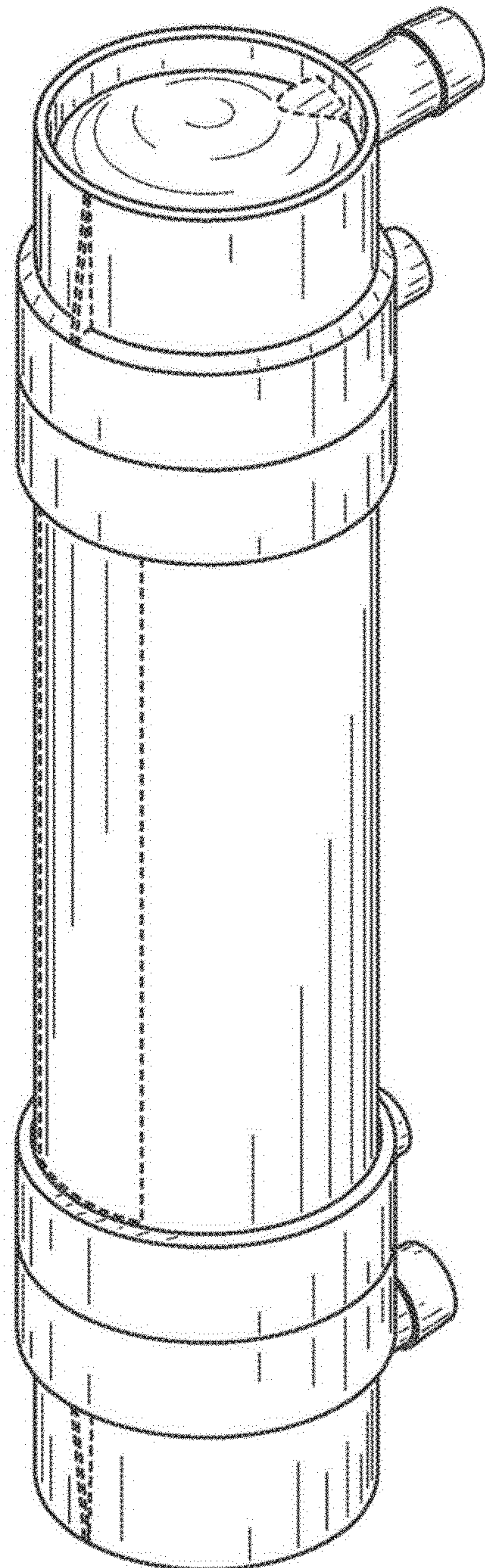


FIG. 2

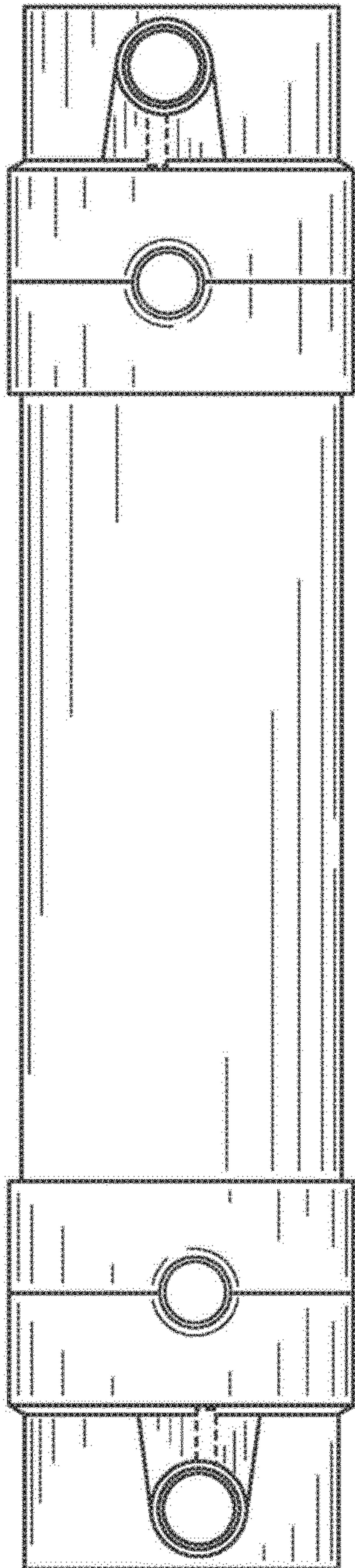


FIG. 3

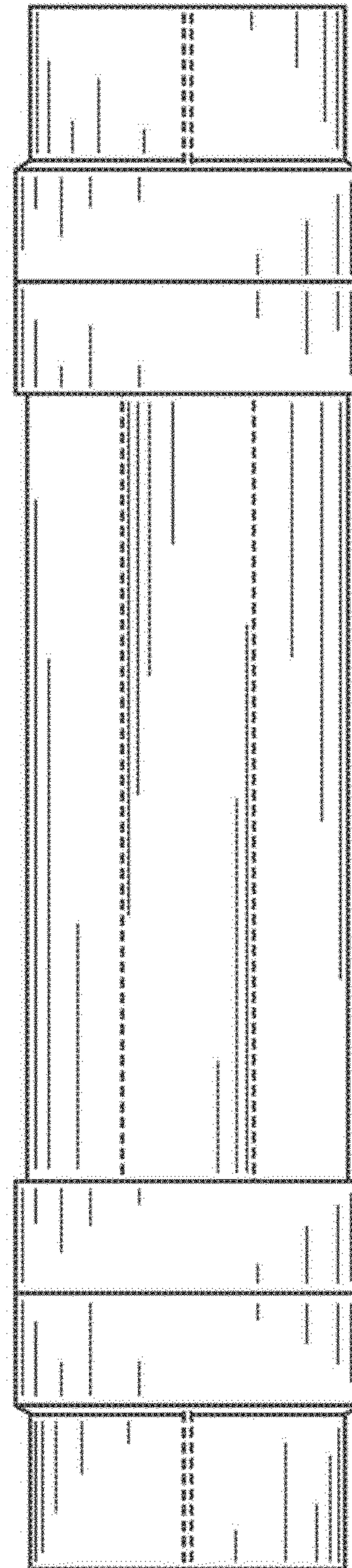


FIG. 4

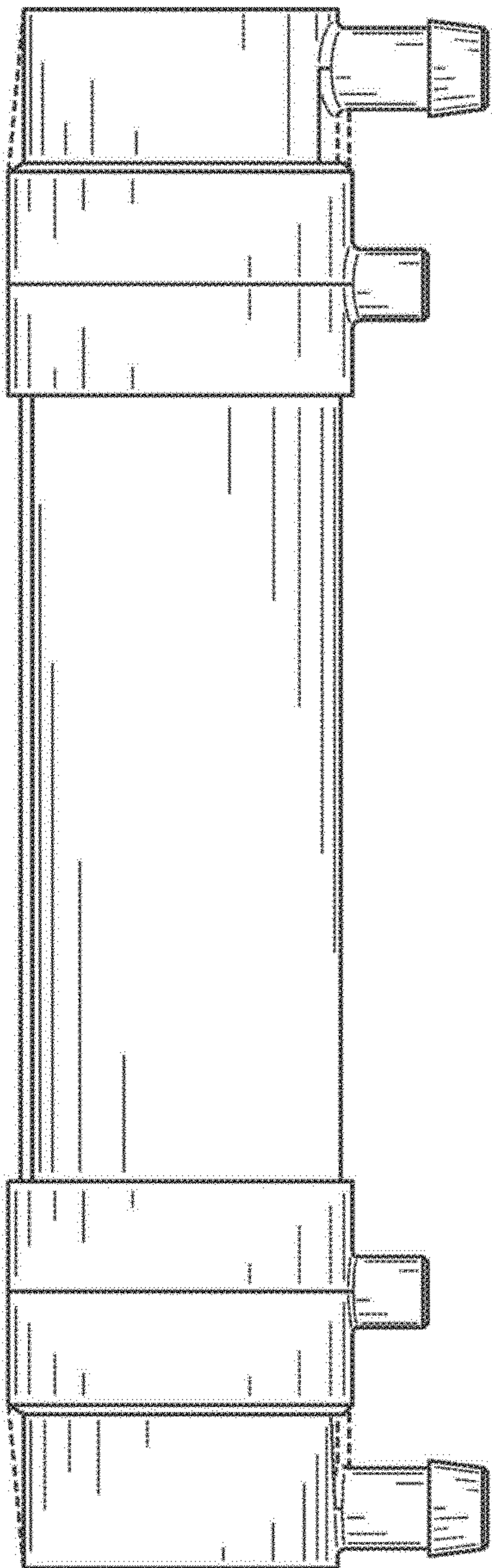


FIG. 5

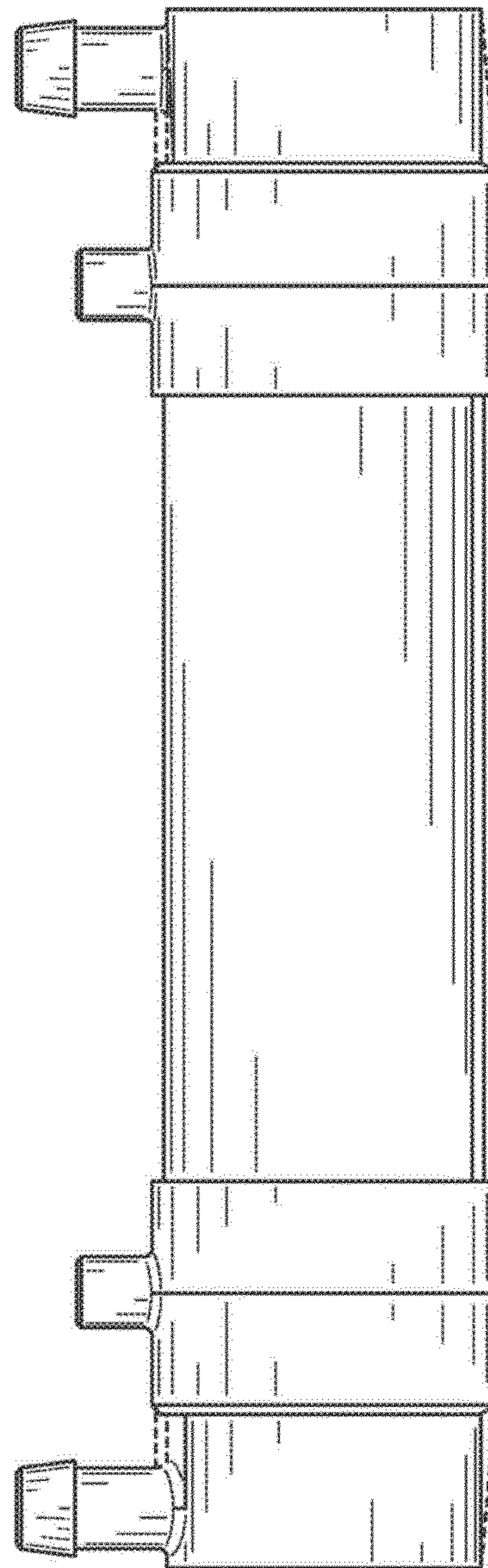


FIG. 6

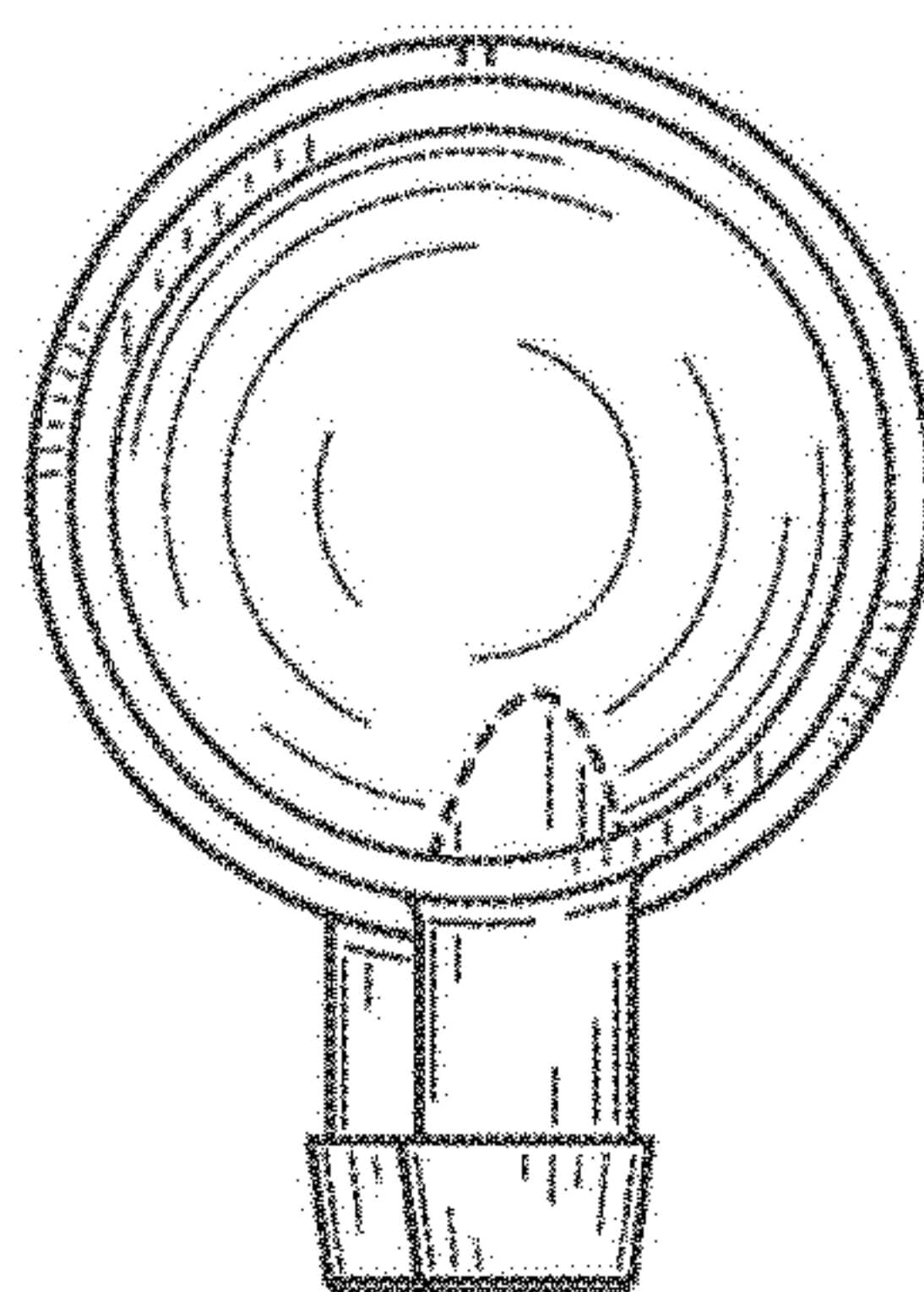


FIG. 7