



US00D833002S

(12) **United States Design Patent** (10) **Patent No.:** **US D833,002 S**
Sawicki et al. (45) **Date of Patent:** **** Nov. 6, 2018**

(54) **TOPICAL APPLICATOR**
(71) Applicant: **TricorBraun Inc.**, St. Louis, MO (US)
(72) Inventors: **Craig R. Sawicki**, Roselle, IL (US);
Marco Serrano, Cicero, IL (US)
(73) Assignee: **TricorBraun Inc.**, St. Louis, MO (US)
(**) Term: **15 Years**

(21) Appl. No.: **29/605,784**
(22) Filed: **May 30, 2017**
(51) **LOC (11) Cl.** **24-02**
(52) **U.S. Cl.**
USPC **D24/119**; D9/447
(58) **Field of Classification Search**
USPC D9/414, 415, 424, 425, 434, 435, 436,
D9/443, 444-452, 454-456, 499, 529,
D9/682, 685, 686, 428, 723; D7/387,
D7/391, 392, 392.1, 396.1, 396.2, 396.3,
D7/396.4, 397, 398, 401.1, 507, 509-511,
D7/538, 900, 550.1, 554.2, 554.3;
D3/202, 203.2; D28/91, 91.1, 7;
D24/119
CPC .. A61J 1/00; A61J 1/1412; B65D 1/00; B65D
1/02; B65D 1/10; B65D 1/46; B65D
2585/56; B65D 2585/545; B65D 41/00;
B65D 41/38; B65D 41/56; B65D 41/62;
B65D 47/00; B65D 47/06; B65D 47/08;
B65D 2543/00046; B65D 2543/00092;
B65D 2543/00296; B65D 5/46; B65D
2251/00
See application file for complete search history.

(56) **References Cited**
U.S. PATENT DOCUMENTS

D132,608 S * 6/1942 Steelman D24/120
D235,302 S * 6/1975 Lanigan et al. 220/574

D299,606 S * 1/1989 Pomroy D7/542
D496,272 S * 9/2004 Jackson D7/602
D548,588 S * 8/2007 Bouveret D9/428
D588,691 S * 3/2009 Perrin D24/120
D693,919 S * 11/2013 Miu D24/107
D752,287 S * 3/2016 Bansal D28/7
D753,492 S * 4/2016 Sawicki D9/434
D768,293 S * 10/2016 Sawicki D24/119
D772,400 S * 11/2016 Beechie D24/119
D785,166 S * 4/2017 Sawicki D24/119
D797,515 S * 9/2017 Gross D7/554.3

* cited by examiner

Primary Examiner — Michael A. Pratt
Assistant Examiner — Wendy L Arminio
(74) *Attorney, Agent, or Firm* — Husch Blackwell LLP

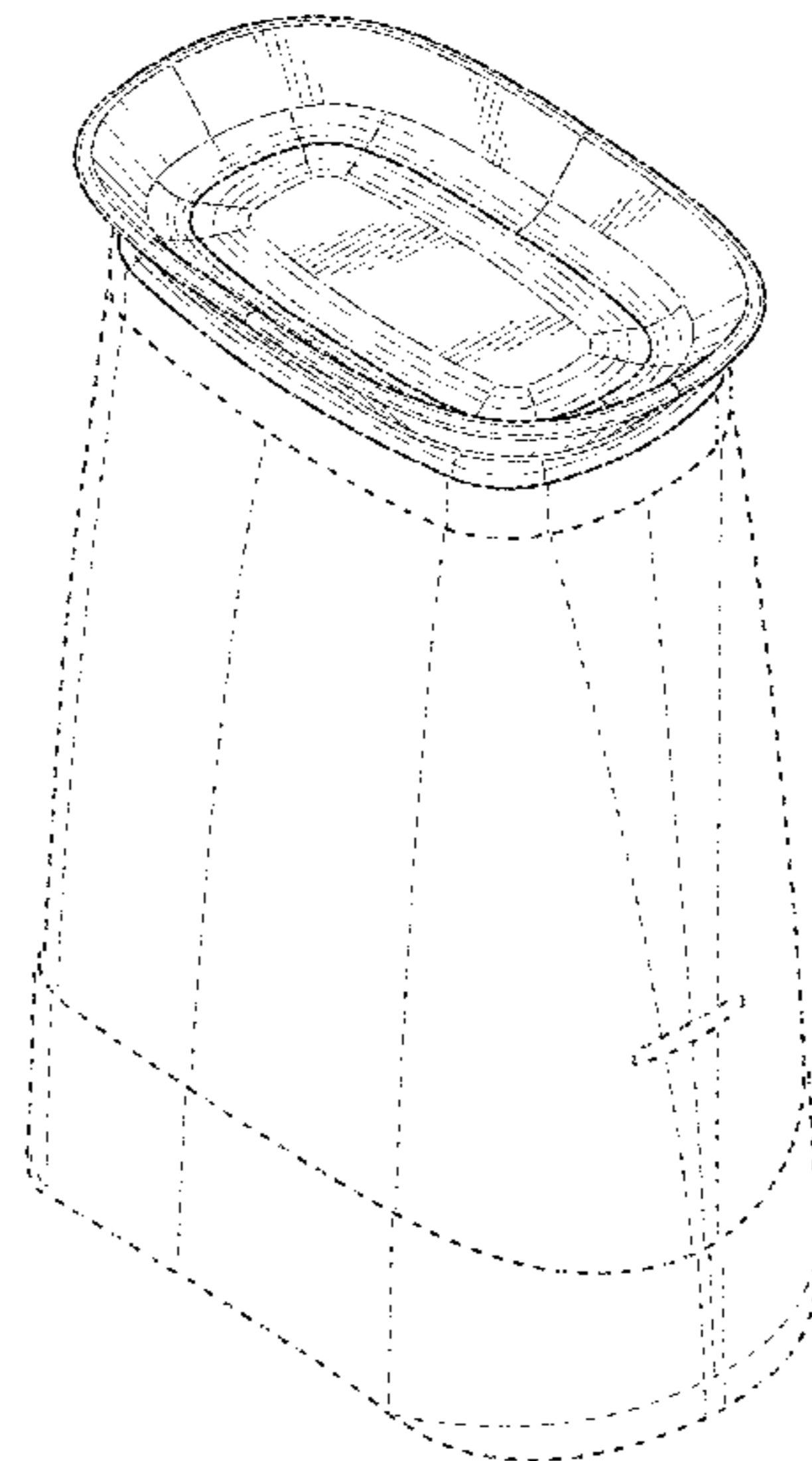
(57) **CLAIM**

We claim the ornamental design for a topical applicator, as shown and described.

DESCRIPTION

FIG. 1 is a top perspective view of a topical applicator showing the new design;
FIG. 2 is an exploded top perspective view of the topical applicator of FIG. 1 shown in a position of use separated from an unclaimed cap drawn in broken lines;
FIG. 3 is a front elevation view thereof;
FIG. 4 is a rear elevation view thereof;
FIG. 5 is a left side elevation view thereof;
FIG. 6 is a right side elevation view thereof;
FIG. 7 is a top plan view thereof; and,
FIG. 8 is a bottom plan view thereof.
Broken lines and the area within the broken lines represent environmental subject matter that forms no part of the claimed design.

1 Claim, 5 Drawing Sheets



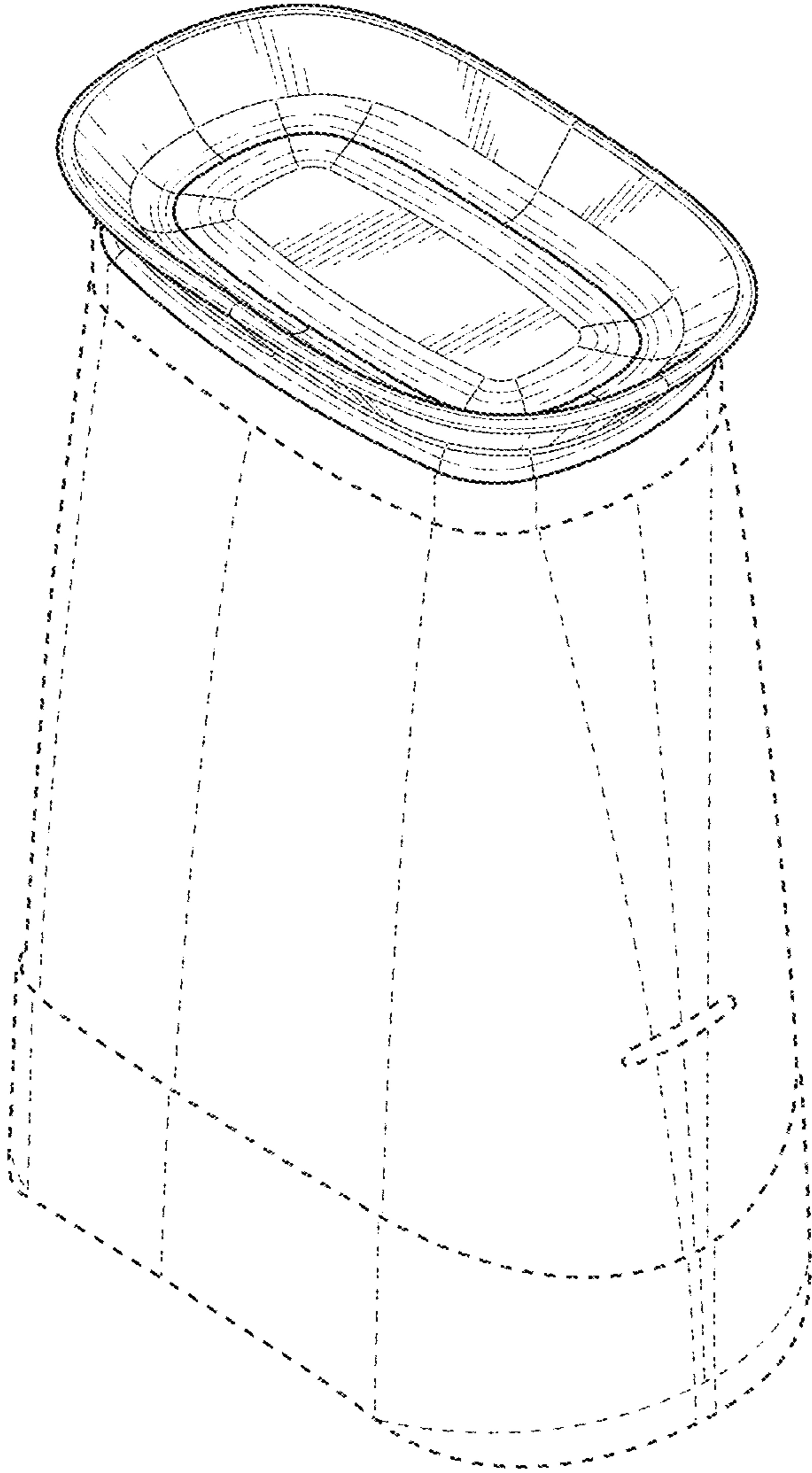


FIG. 1

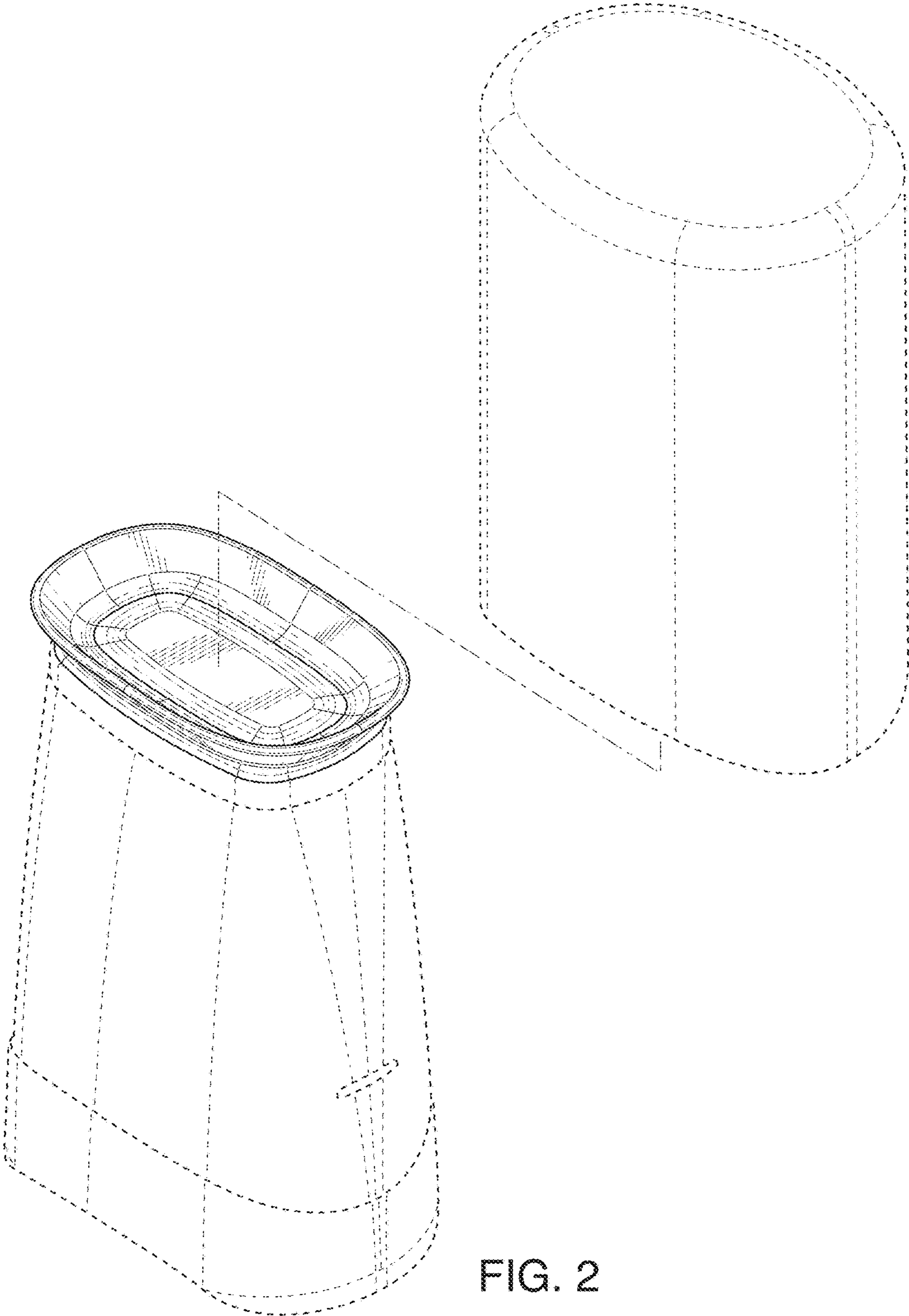


FIG. 2

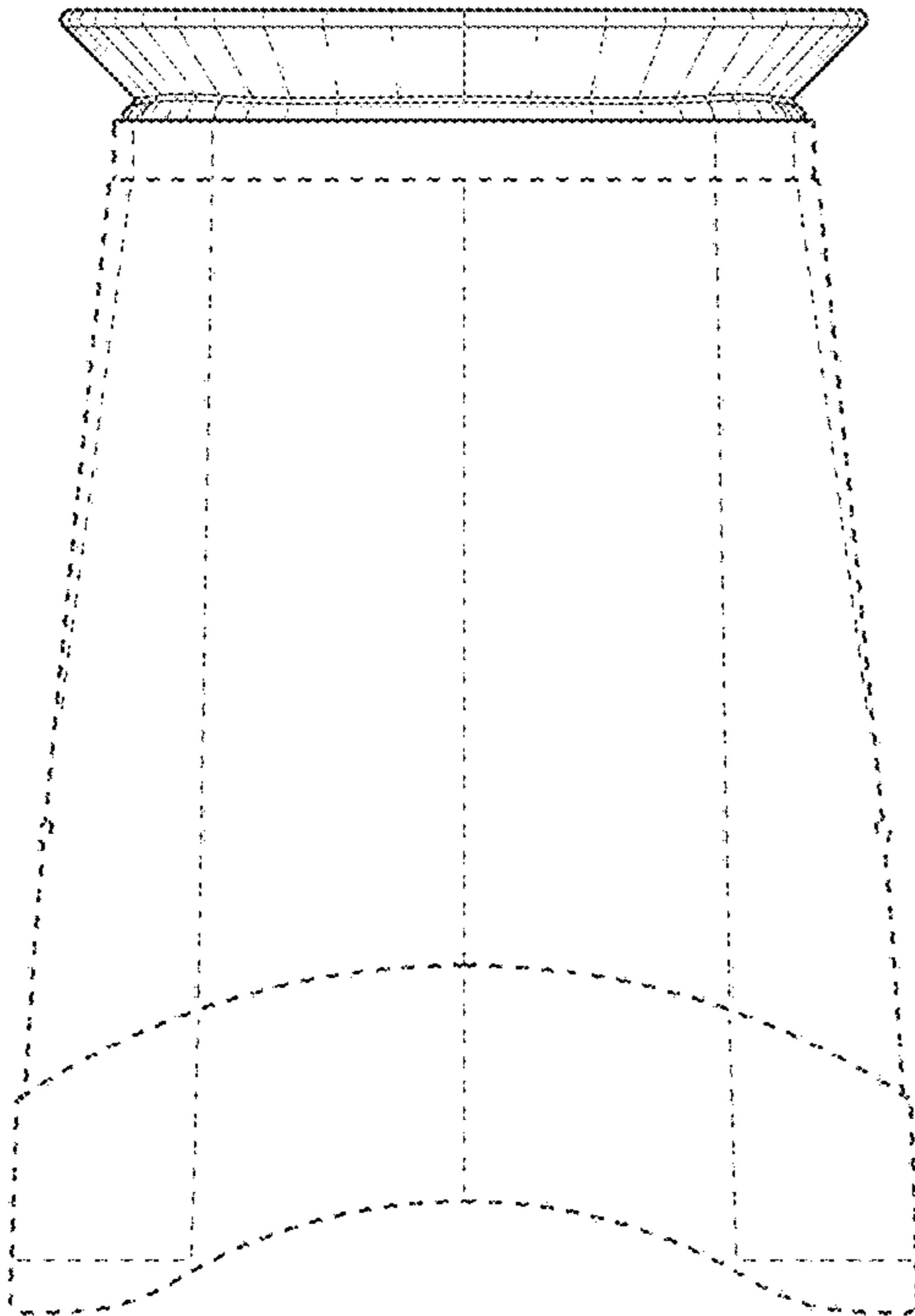


FIG. 3

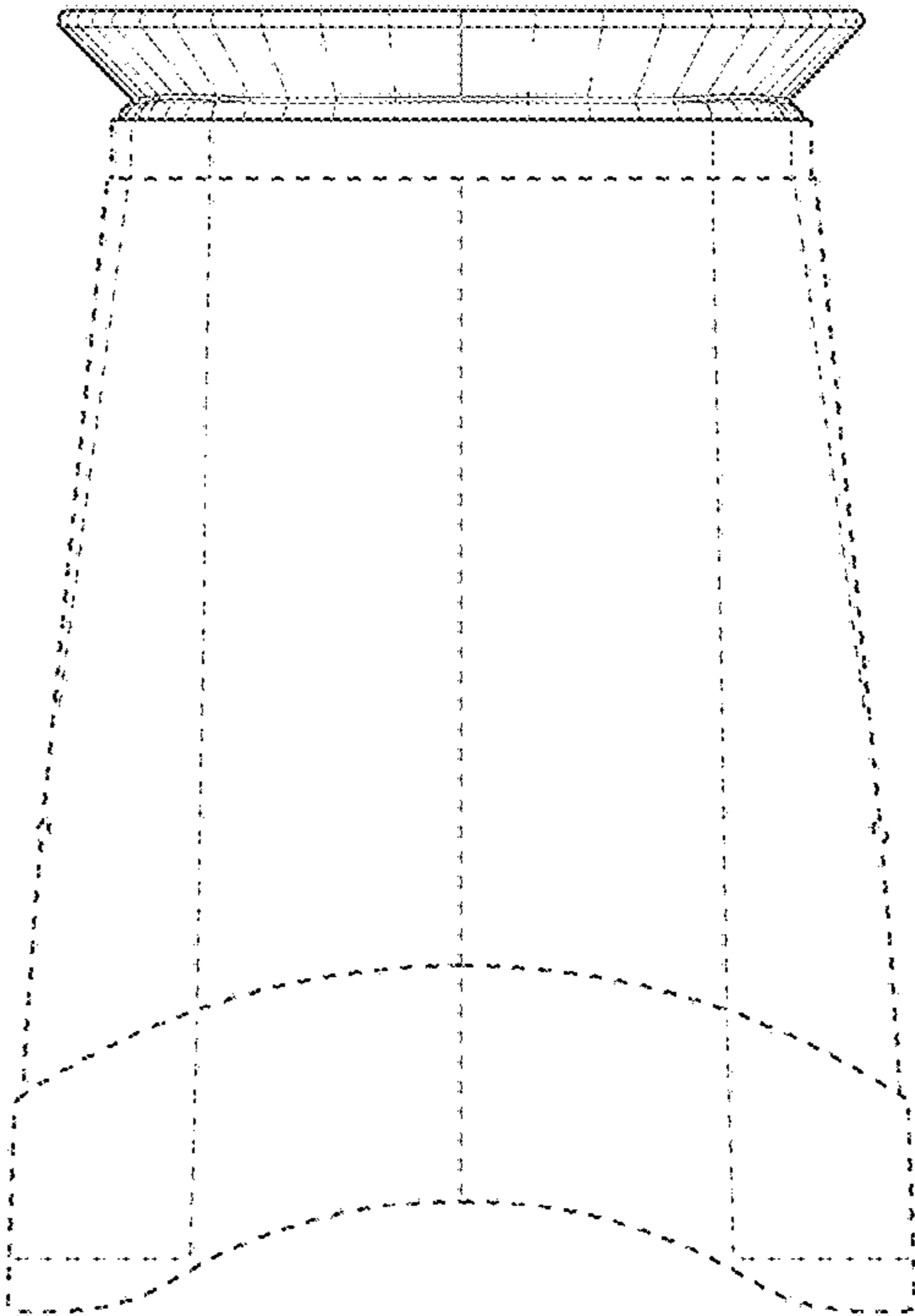


FIG. 4

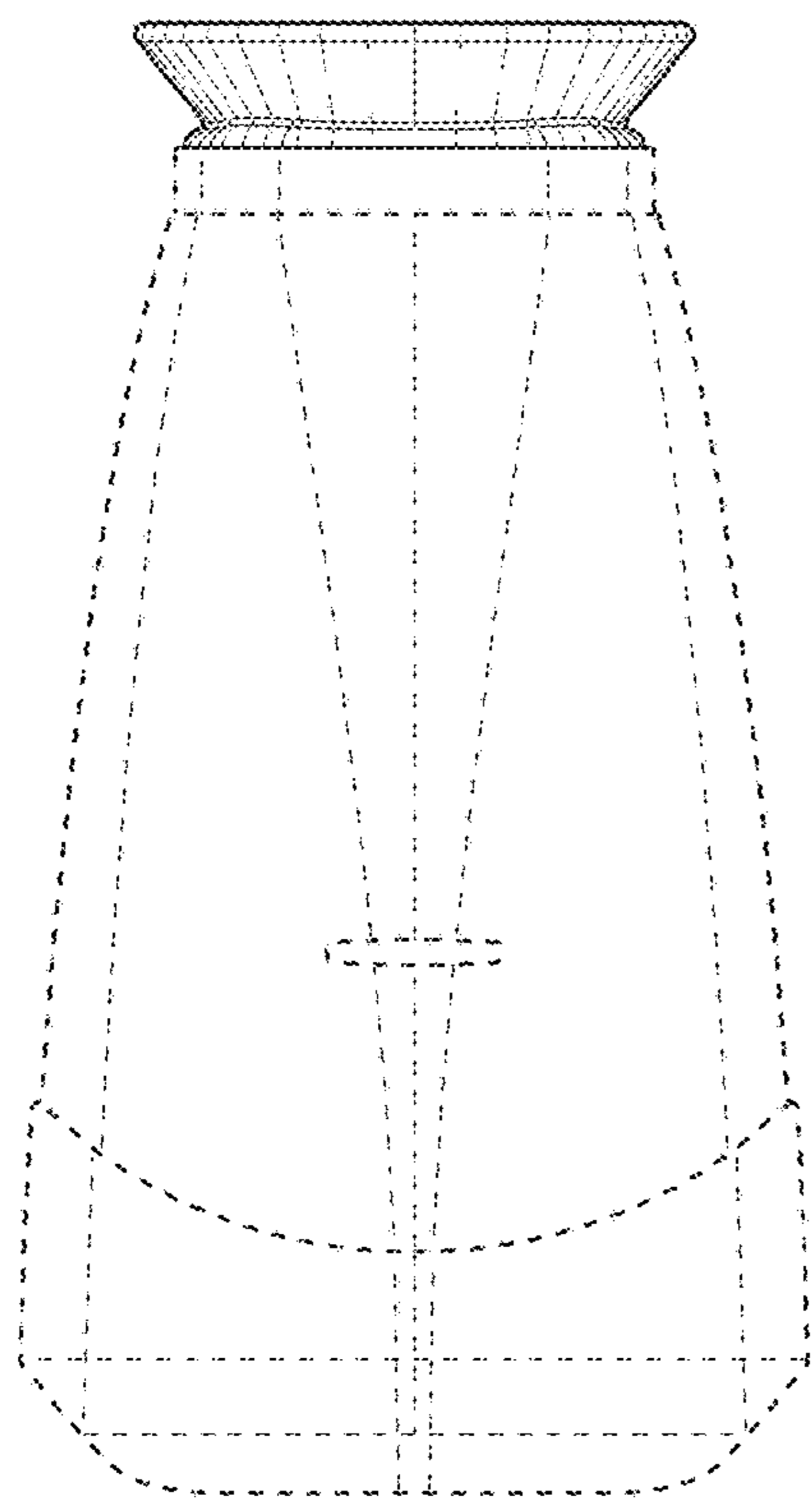


FIG. 5

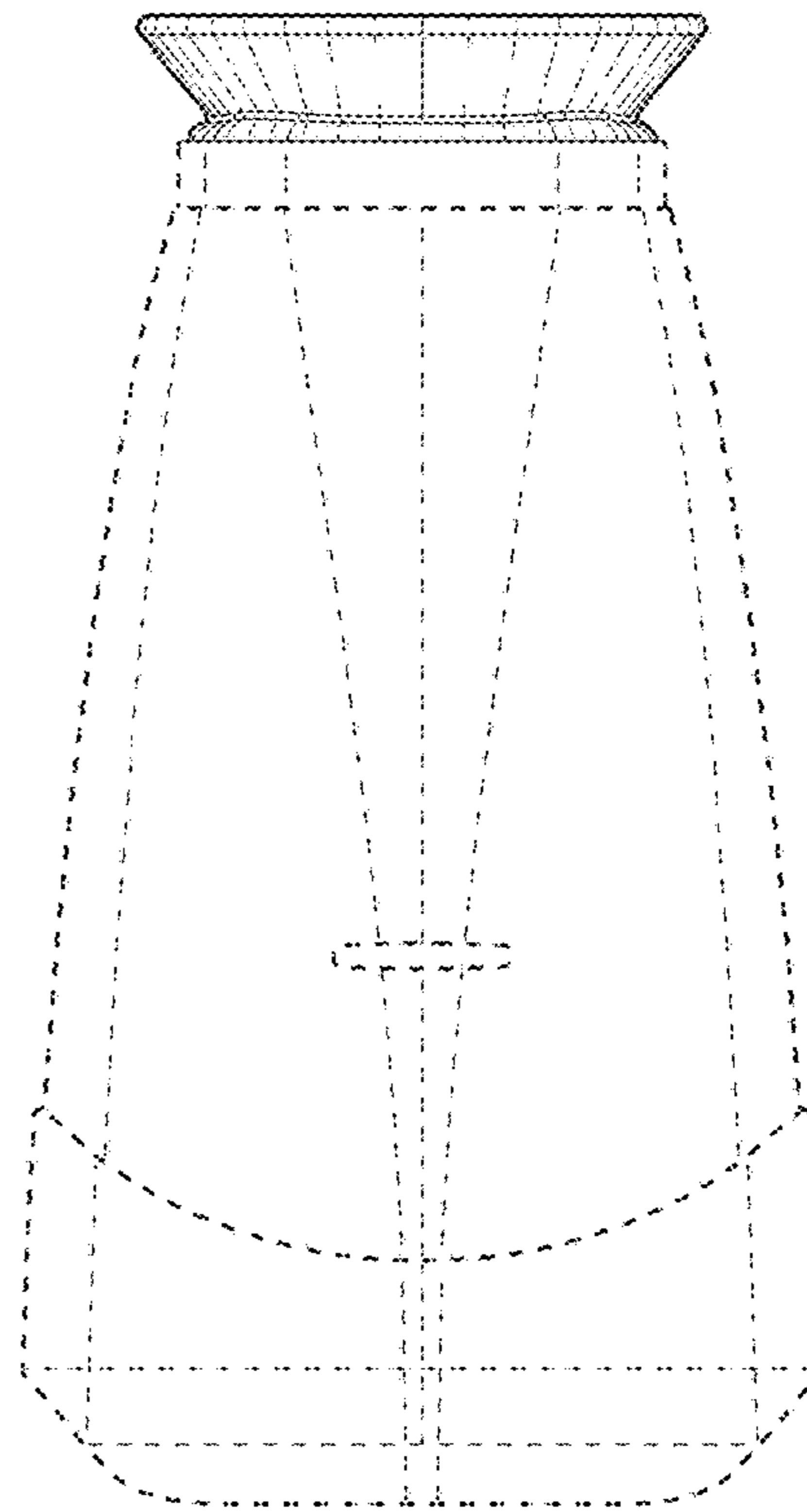


FIG. 6

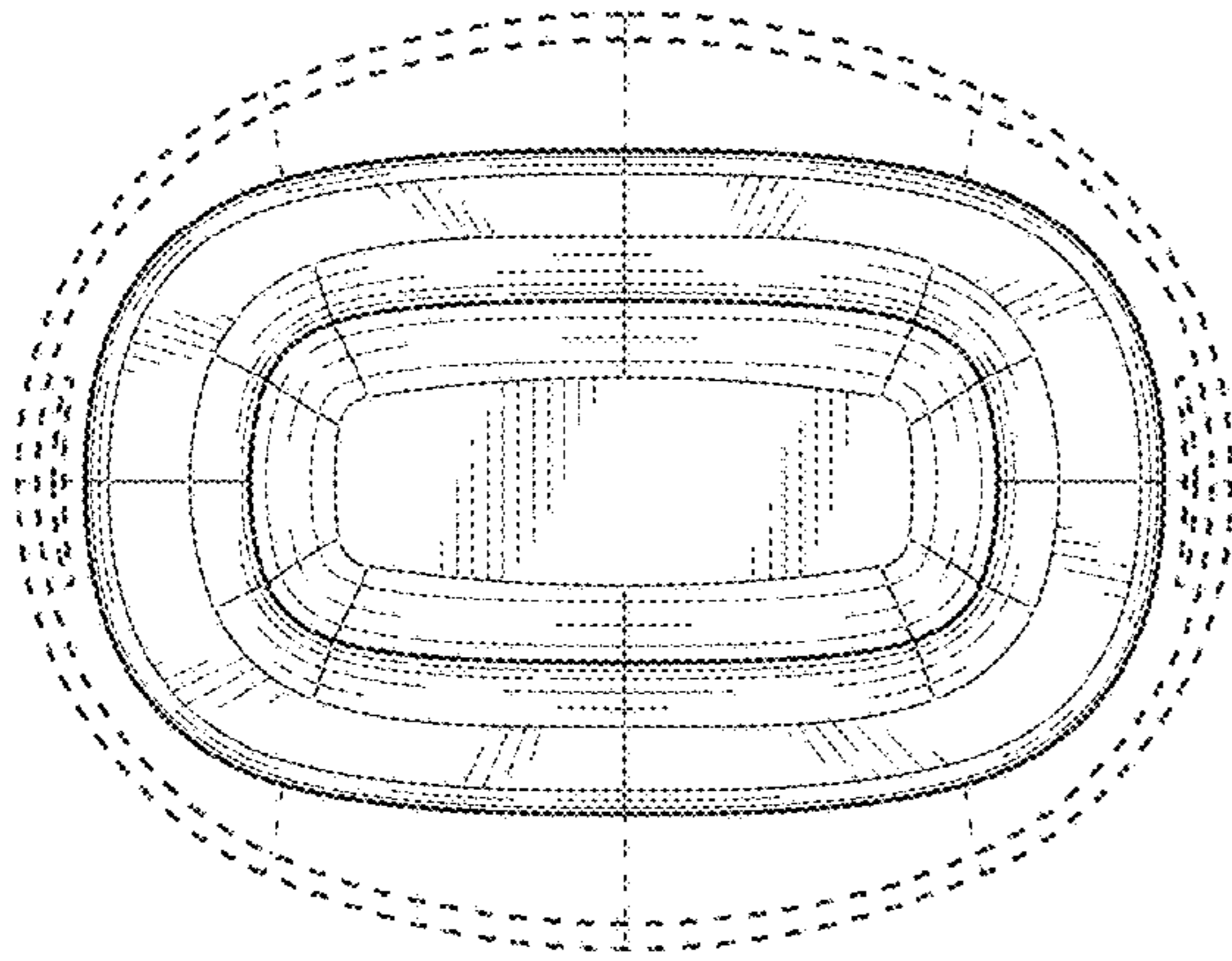


FIG. 7

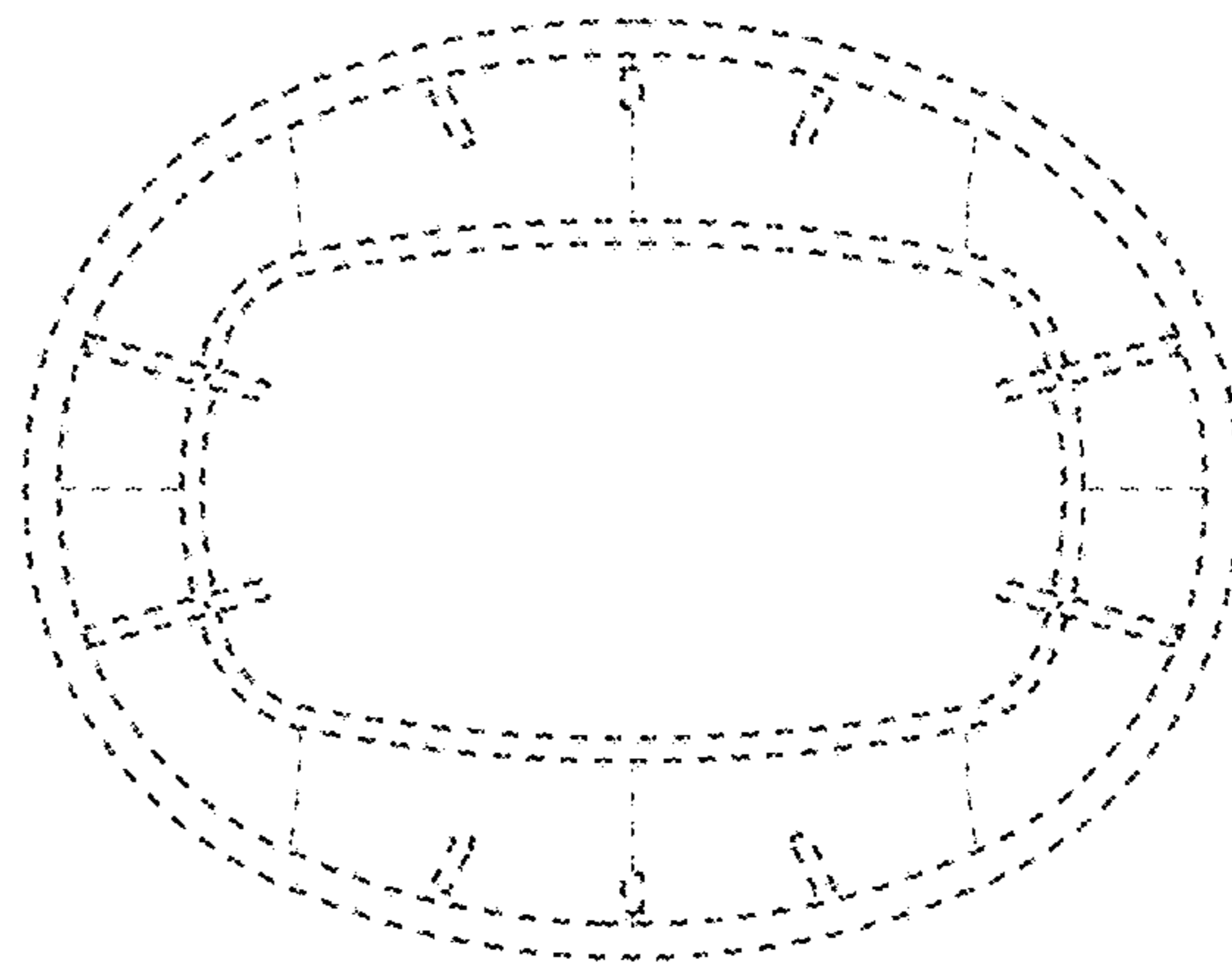


FIG. 8