



US00D833001S

(12) **United States Design Patent** (10) **Patent No.:** **US D833,001 S**
Ishikawa (45) **Date of Patent:** **** Nov. 6, 2018**

(54) **NOZZLE USED FOR SPRAYING MEDICAL DRUG SOLUTION**

(71) Applicants: **ANEST IWATA CORPORATION**, Kanagawa-Ken (JP); **3-D MATRIX, LTD.**, Tokyo (JP)

(72) Inventor: **Hidetoshi Ishikawa**, Yokohama (JP)

(73) Assignees: **ANEST IWATA CORPORATION**, Yokohama-Shi, Kanagawa (JP); **3-D MATRIX, LTD.**, Chiyoda-Ku, Tokyo (JP)

(**) Term: **15 Years**

(21) Appl. No.: **35/503,658**

(22) Filed: **Mar. 14, 2017**

(80) **Hague Agreement Data**

Int. Filing Date: **Mar. 14, 2017**

Int. Reg. No.: **DM/096509**

Int. Reg. Date: **Mar. 14, 2017**

Int. Reg. Pub. Date: **Sep. 15, 2017**

(30) **Foreign Application Priority Data**

Sep. 23, 2016 (EM) 2016-020451

(51) **LOC (11) Cl.** **24-02**

(52) **U.S. Cl.**
USPC **D24/112**

(58) **Field of Classification Search**

USPC D24/112; D23/213; D8/2; D9/448

CPC A61M 2210/0612; A61M 1/0064; A61M 1/0058; A61M 3/0279; A61M 3/0283

See application file for complete search history.

(56) **References Cited**

U.S. PATENT DOCUMENTS

D238,006 S * 12/1975 Anderson D23/213

D254,270 S * 2/1980 Ziegler 600/107

4,781,704 A * 11/1988 Potter A61J 15/0003
604/105

D374,076 S * 9/1996 Hillstead D24/112

D573,257 S * 7/2008 Rehbein D24/112

8,992,412 B2 * 3/2015 Cahill A61F 2/0027
600/30

D797,923 S * 9/2017 Pereira D24/112

D822,162 S * 7/2018 Bonaventura D23/225

* cited by examiner

Primary Examiner — Robert M. Spear

(74) *Attorney, Agent, or Firm* — Leydig, Voit & Mayer

(57) **CLAIM**

The ornamental design for a nozzle used for spraying medical drug solution, as shown and described.

DESCRIPTION

1. Nozzle used for spraying medical drug solution

1.1 : Front

1.2 : Back

1.3 : Top

1.4 : Bottom

1.5 : Right

1.6 : Left

1.7 : Perspective view from above 1

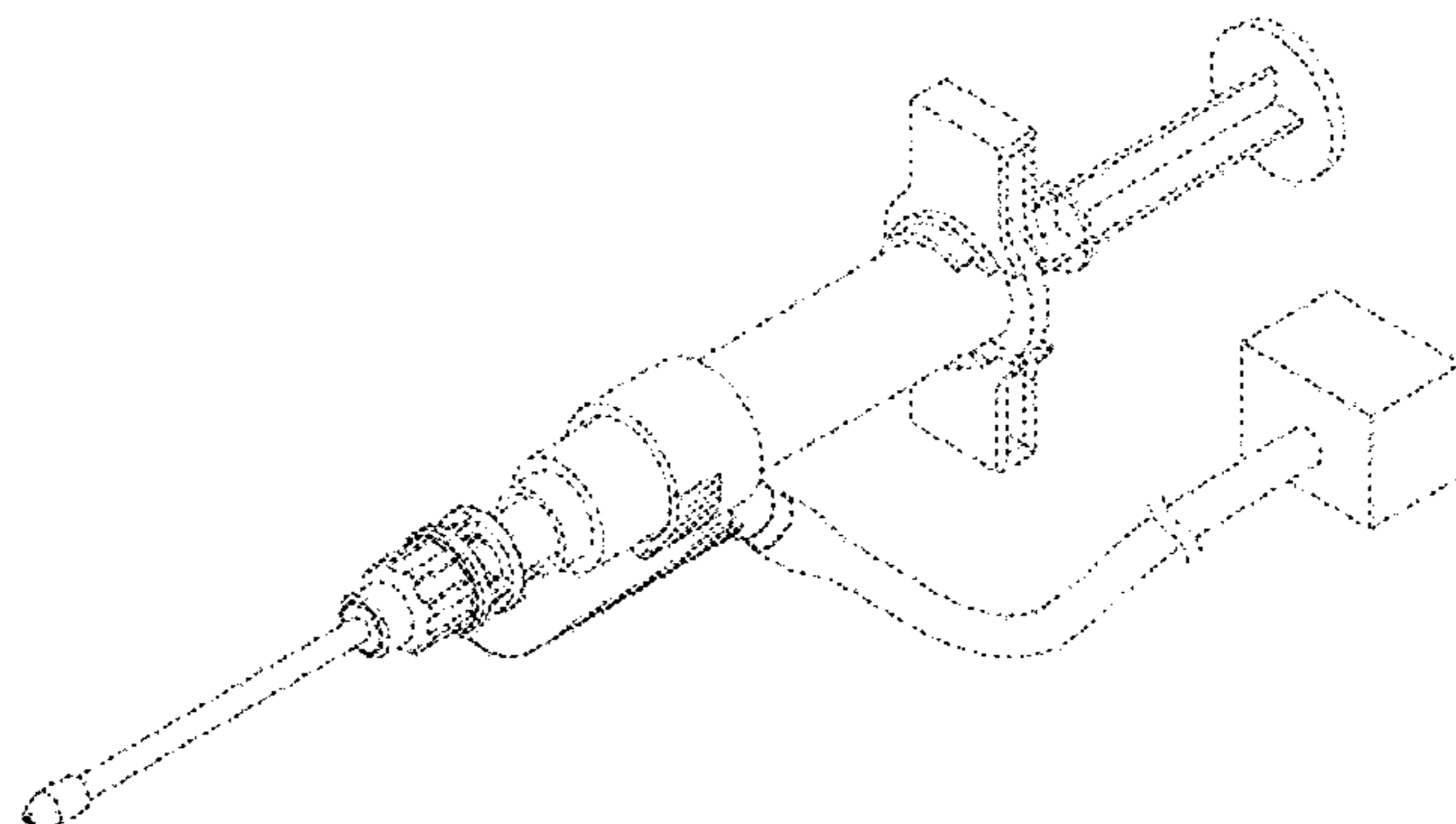
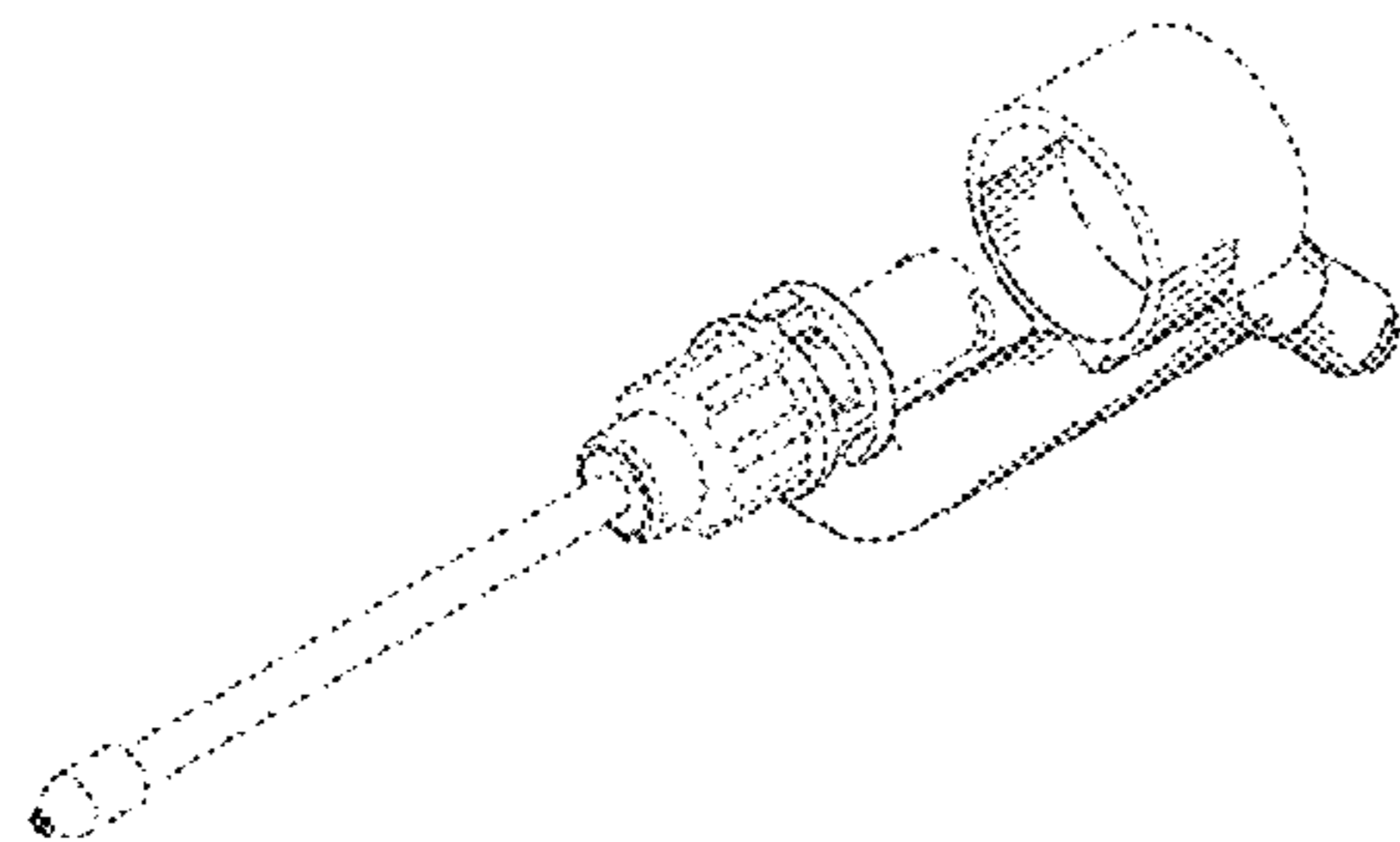
1.8 : Perspective view from above 2

1.9 : Vertical sectional view

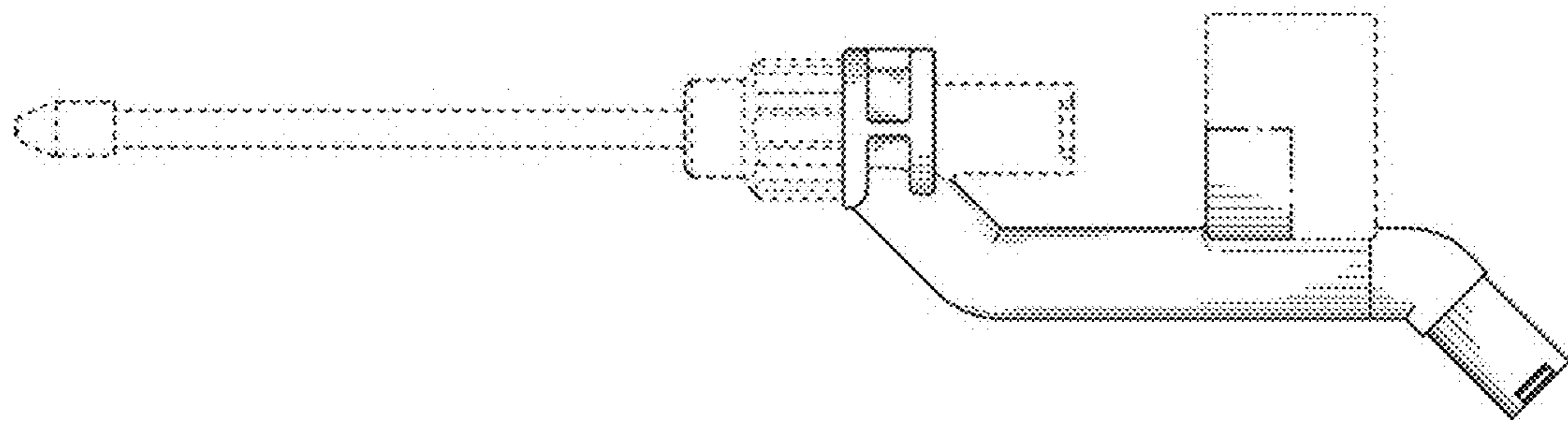
1.10 : Reference view showing state in use

The present article is a nozzle used for spraying a drug solution, such as a hemostatic agent, into a human body that has been opened up during surgery; parts represented by solid lines are the parts for which design registration is sought; dash-dotted lines are lines that represent only borders between the parts for which design registration is sought and other parts.

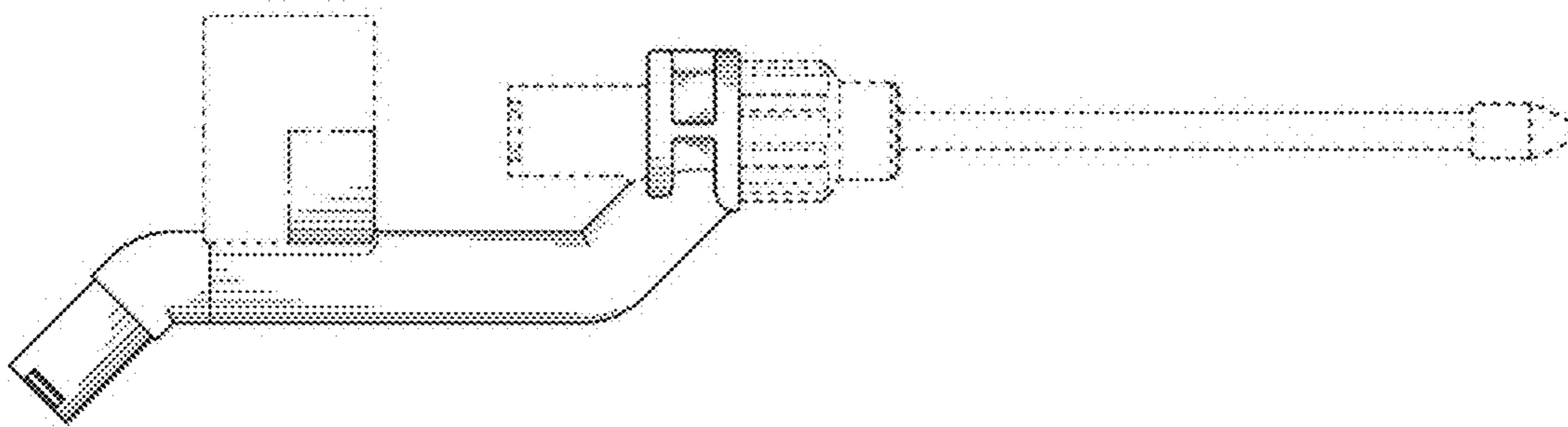
1 Claim, 10 Drawing Sheets



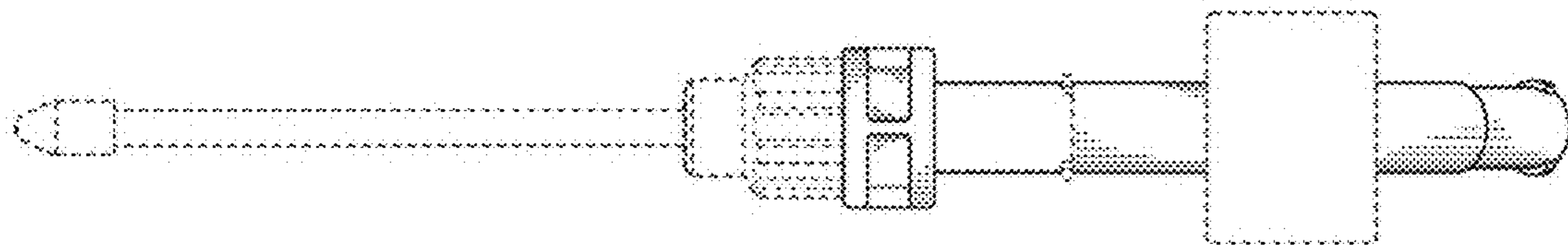
1.1



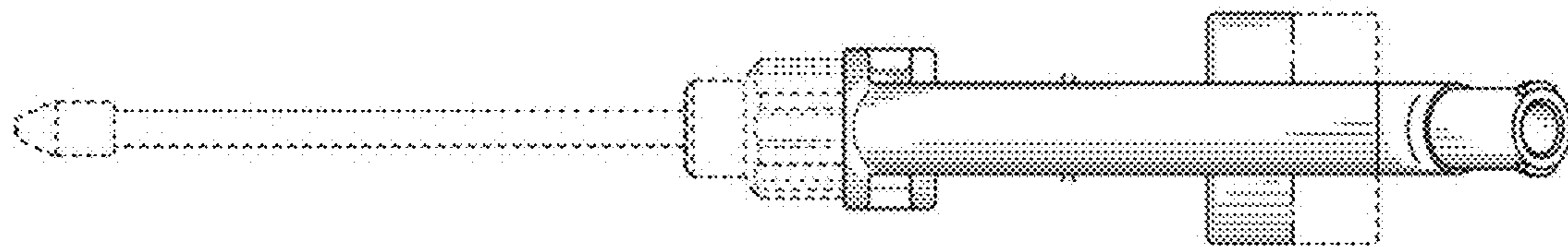
1.2



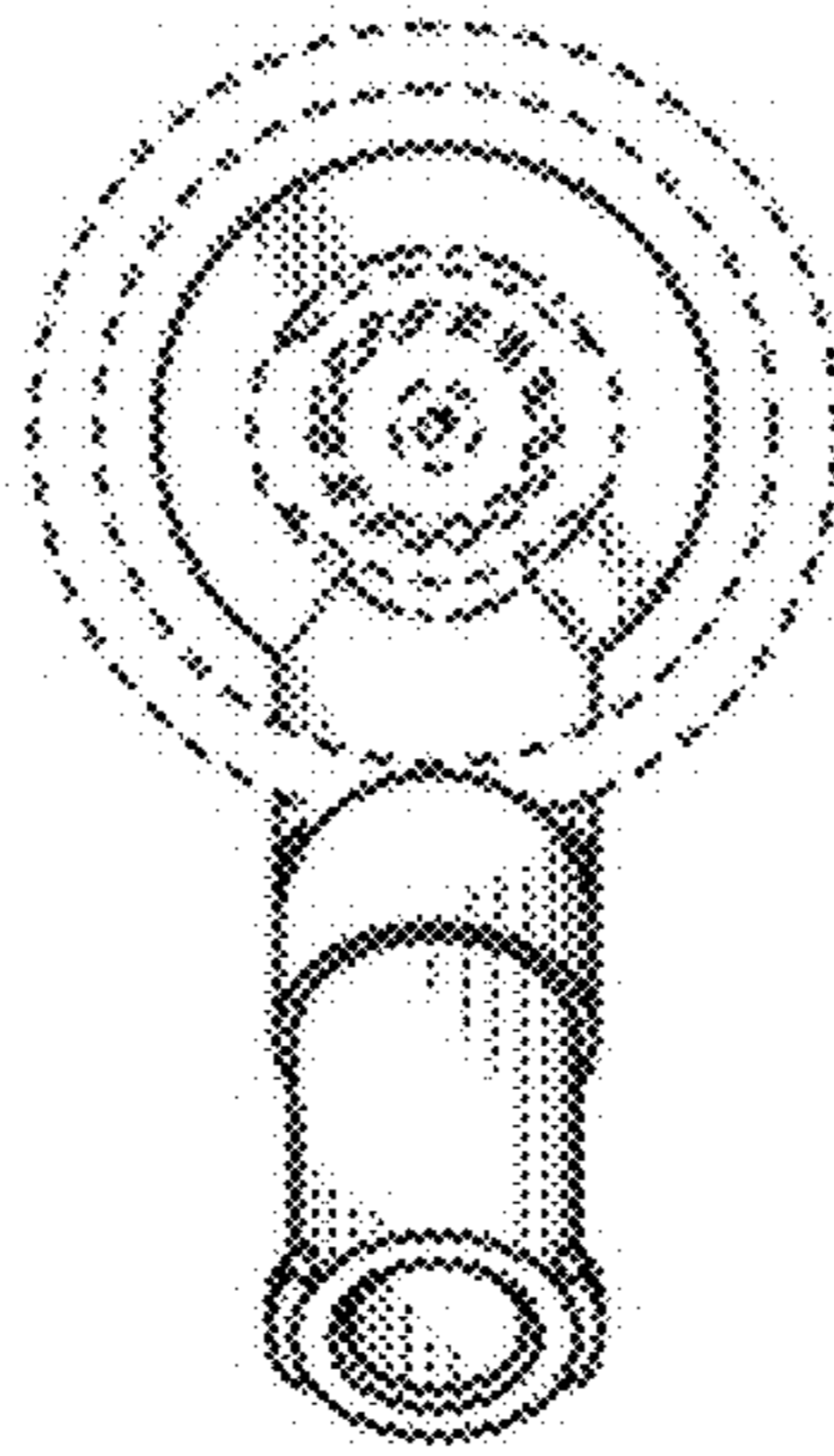
1.3



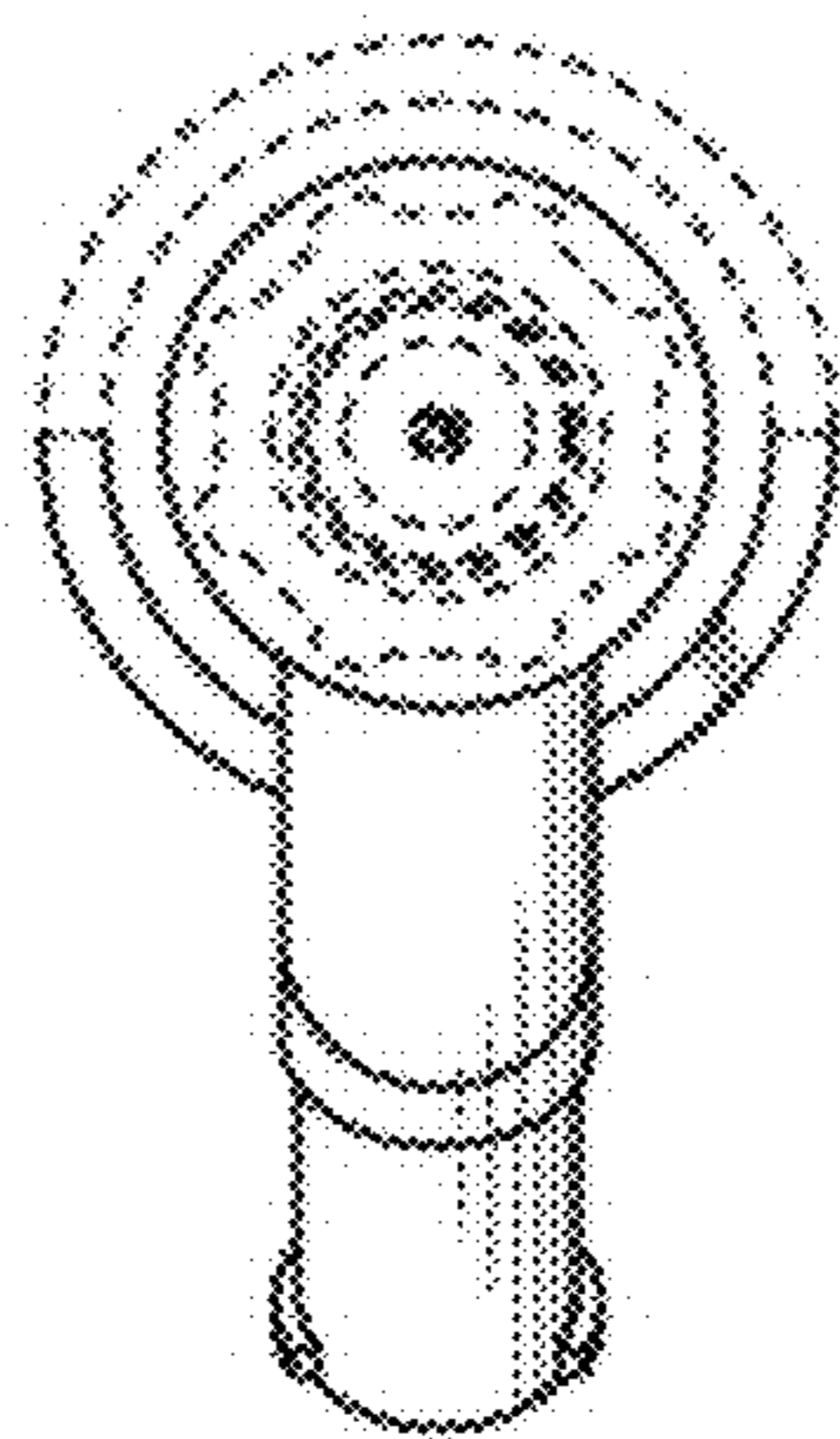
1.4



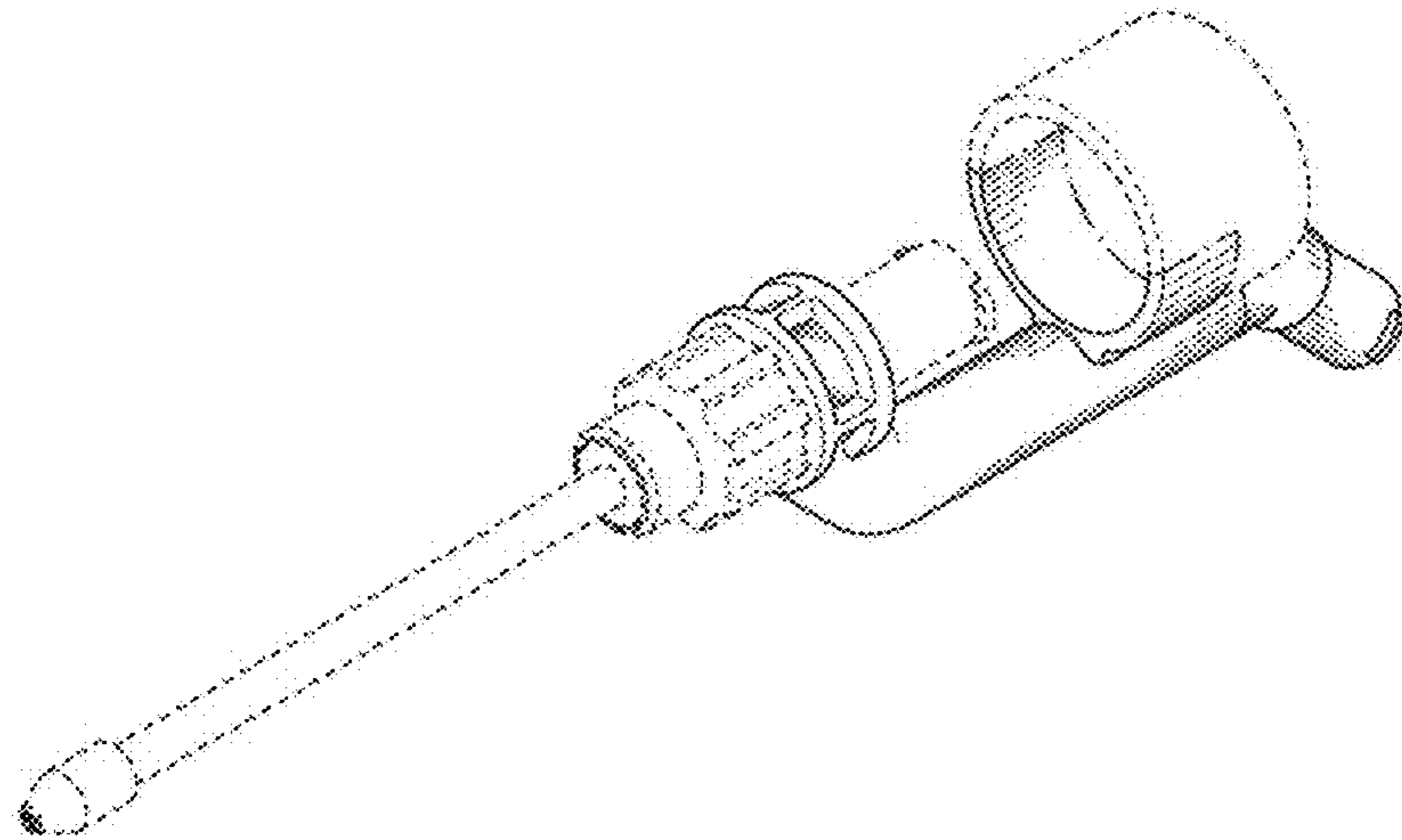
1.5



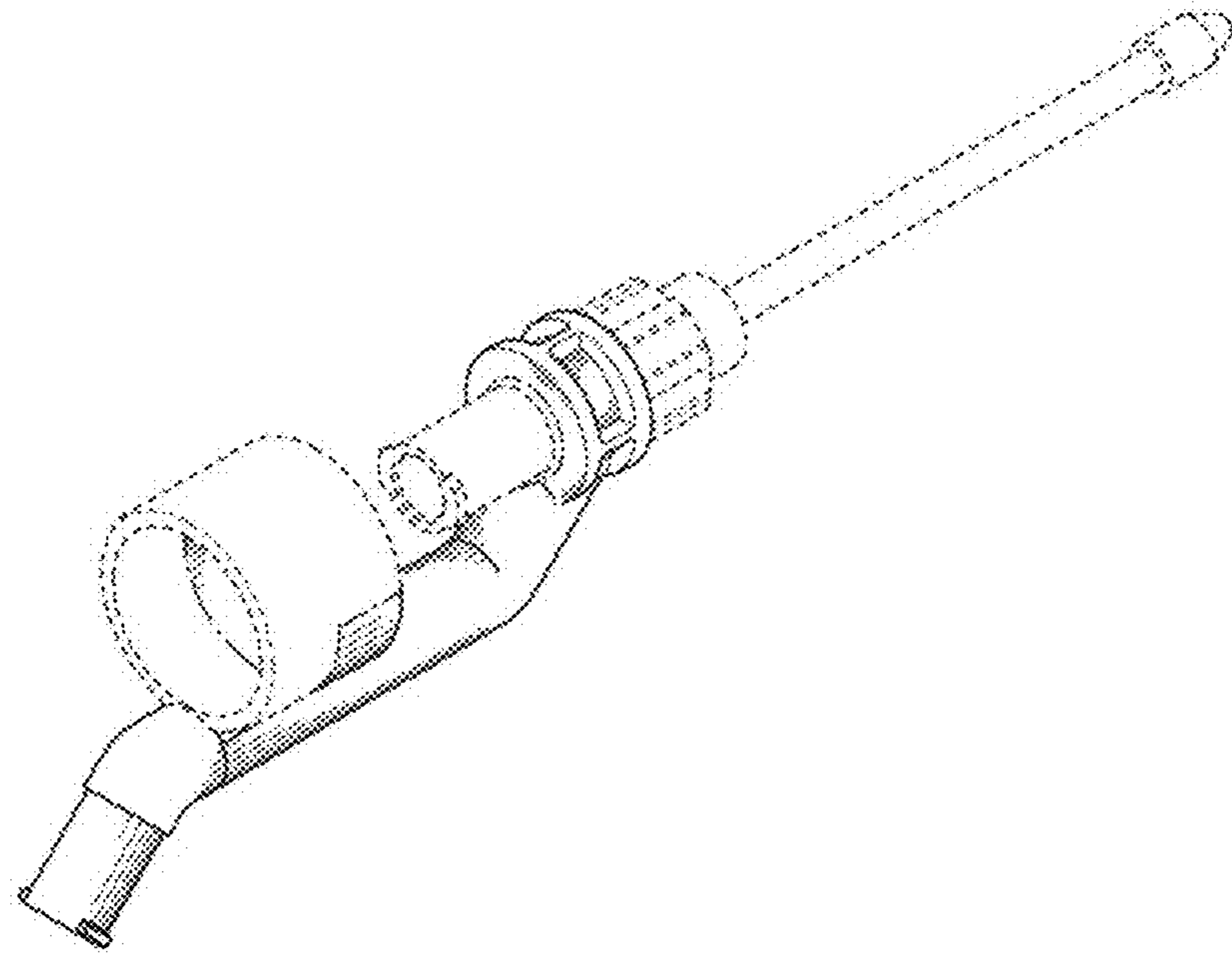
1.6



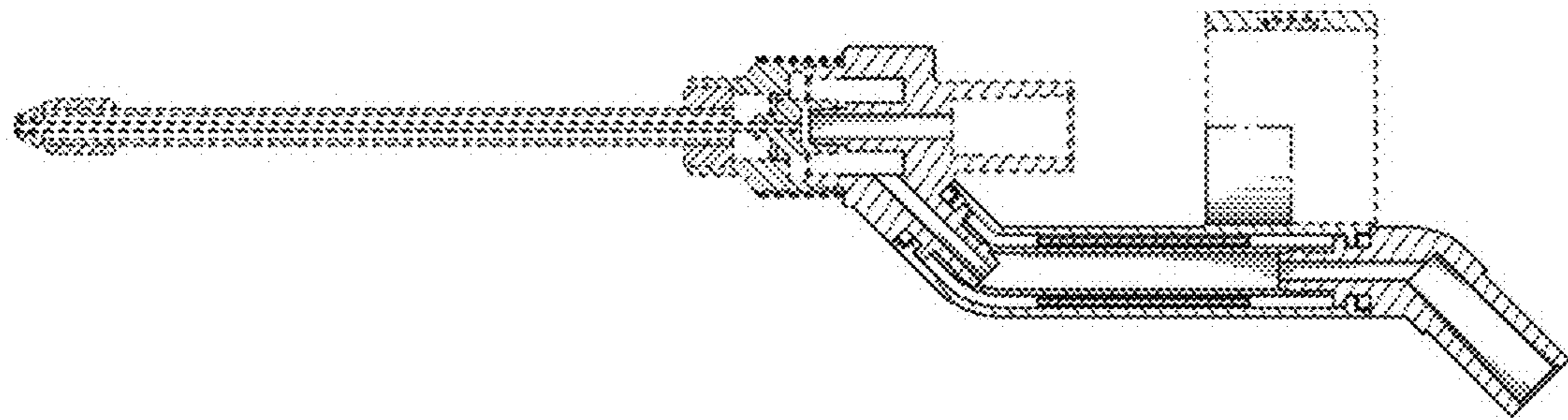
1.7



1.8



1.9



1.10

