



US00D832999S

(12) **United States Design Patent**
Moser et al.

(10) **Patent No.:** **US D832,999 S**
(45) **Date of Patent:** **** Nov. 6, 2018**

(54) **PUMP FOR DEBRIDEMENT BY WATER JET**

(71) Applicant: **Medaxis AG**, Baar (CH)

(72) Inventors: **Beat Moser**, Uerzlikon (CH); **Britta Pukall**, Wadenswil (CH)

(73) Assignee: **Medaxis AG**, Baar (CH)

(**) Term: **15 Years**

(21) Appl. No.: **29/544,647**

(22) Filed: **Nov. 5, 2015**

(30) **Foreign Application Priority Data**

May 5, 2015 (EM) 002695056

(51) **LOC (11) Cl.** **24-02**

(52) **U.S. Cl.**
USPC **D24/111**

(58) **Field of Classification Search**
USPC D24/107, 108, 111, 188, 185
CPC .. A61M 1/0088; A61M 1/0031; A61M 27/00;
A61M 1/0023; A61M 1/0001; A61M
1/009; A61M 1/0096; A61M 1/0058;
A61M 1/0066; A61M 1/00; A61M
3/0216; A61M 3/0237
See application file for complete search history.

(56) **References Cited**

U.S. PATENT DOCUMENTS

D565,177 S * 3/2008 Locke D24/111
D581,521 S * 11/2008 Locke D24/111
D601,692 S * 10/2009 Tout D24/108
D788,293 S * 5/2017 Eckstein D24/111
2010/0022990 A1* 1/2010 Karpowicz A61M 1/0088
604/543

2011/0038741 A1* 2/2011 Lissner F04B 37/10
417/313
2011/0077605 A1* 3/2011 Karpowicz A61M 1/0001
604/318
2012/0289914 A1* 11/2012 Eckstein A61M 1/0031
604/313
2013/0053793 A1* 2/2013 Locke A61M 1/0088
604/290
2016/0074637 A1* 3/2016 Croizat A61M 1/0001
604/543
2016/0287765 A1* 10/2016 Canner A61M 1/0088
2016/0325028 A1* 11/2016 Locke A61B 17/32
2017/0128638 A1* 5/2017 Giezendanner A61M 1/0001

* cited by examiner

Primary Examiner — Eric L Goodman

Assistant Examiner — Lilyana Bekic

(74) *Attorney, Agent, or Firm* — Fishman Stewart PLLC

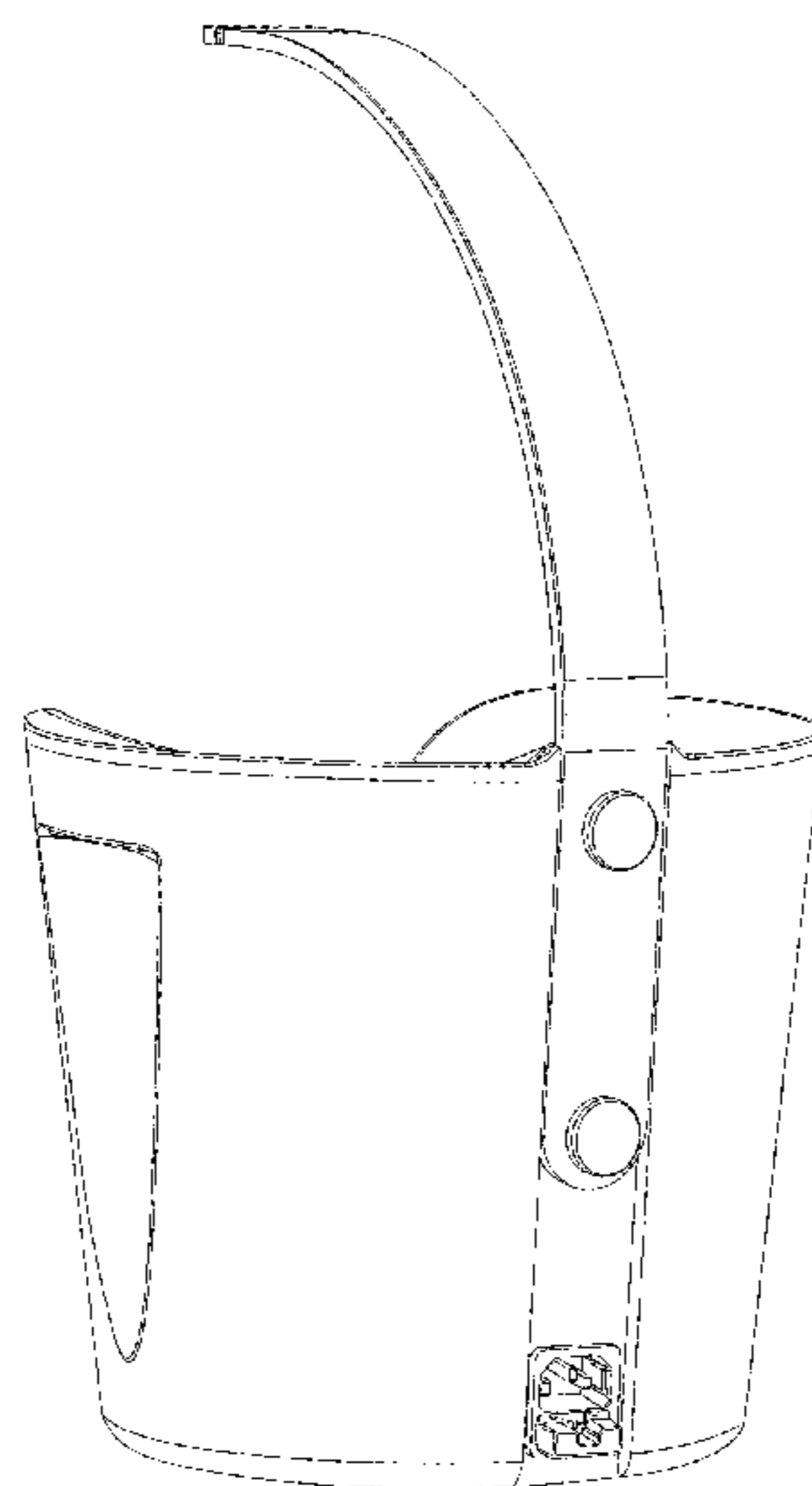
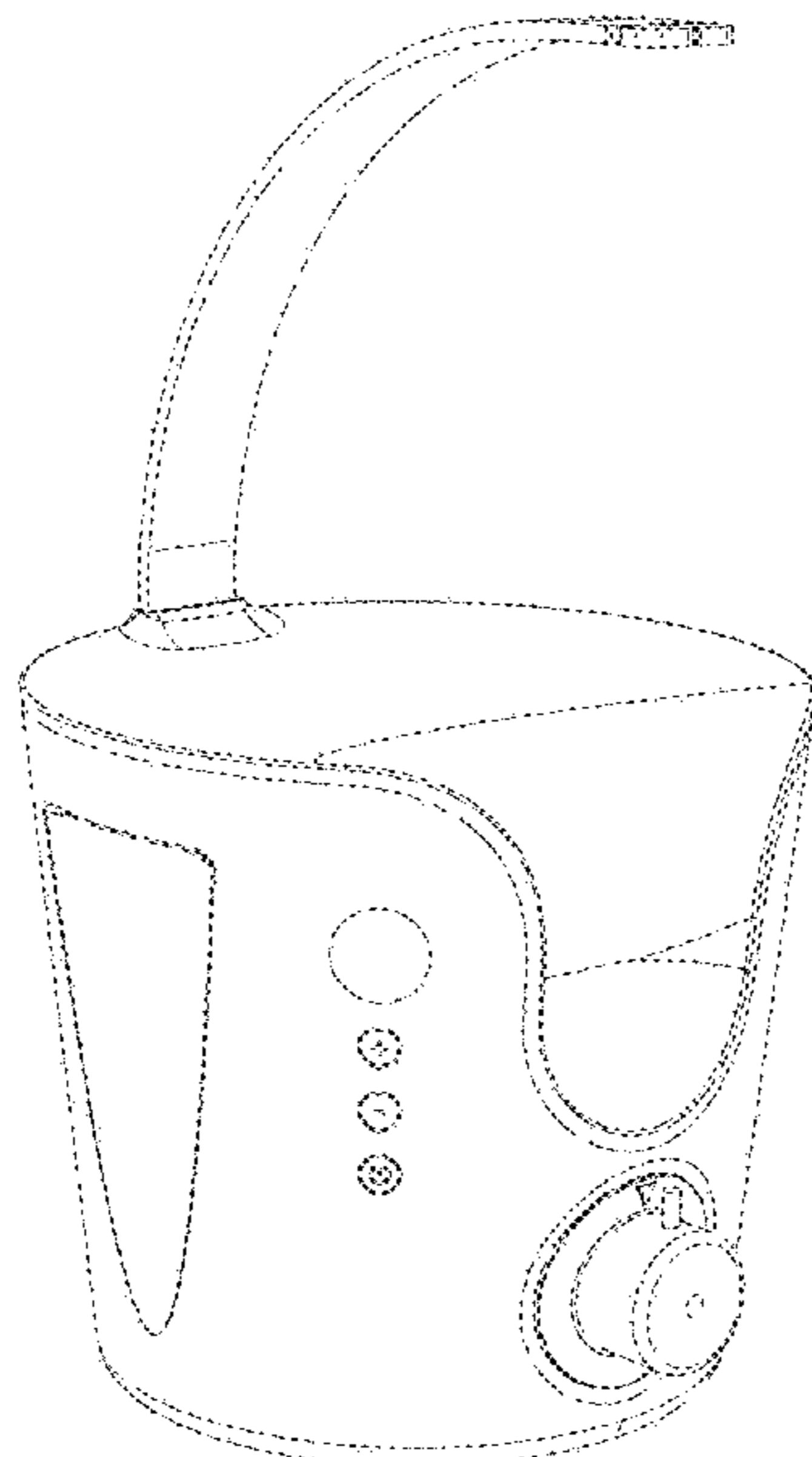
(57) **CLAIM**

The ornamental design for a pump for debridement by water jet, as shown and described.

DESCRIPTION

FIG. 1 is front elevation view of a pump for debridement by water jet showing the new design;
FIG. 2 is a left side elevation view of FIG. 1;
FIG. 3 is a rear elevation view of FIG. 1;
FIG. 4 is a front, left, and top perspective view of FIG. 1;
FIG. 5 is a bottom plan view of FIG. 1;
FIG. 6 is a top plan view of FIG. 1;
FIG. 7 is a rear, right, and top perspective view of FIG. 1;
and,
FIG. 8 is a right side elevation view of FIG. 1.
The broken lines shown in the drawings illustrate portions of the pump for debridement by water jet and form no part of the claimed design.

1 Claim, 8 Drawing Sheets



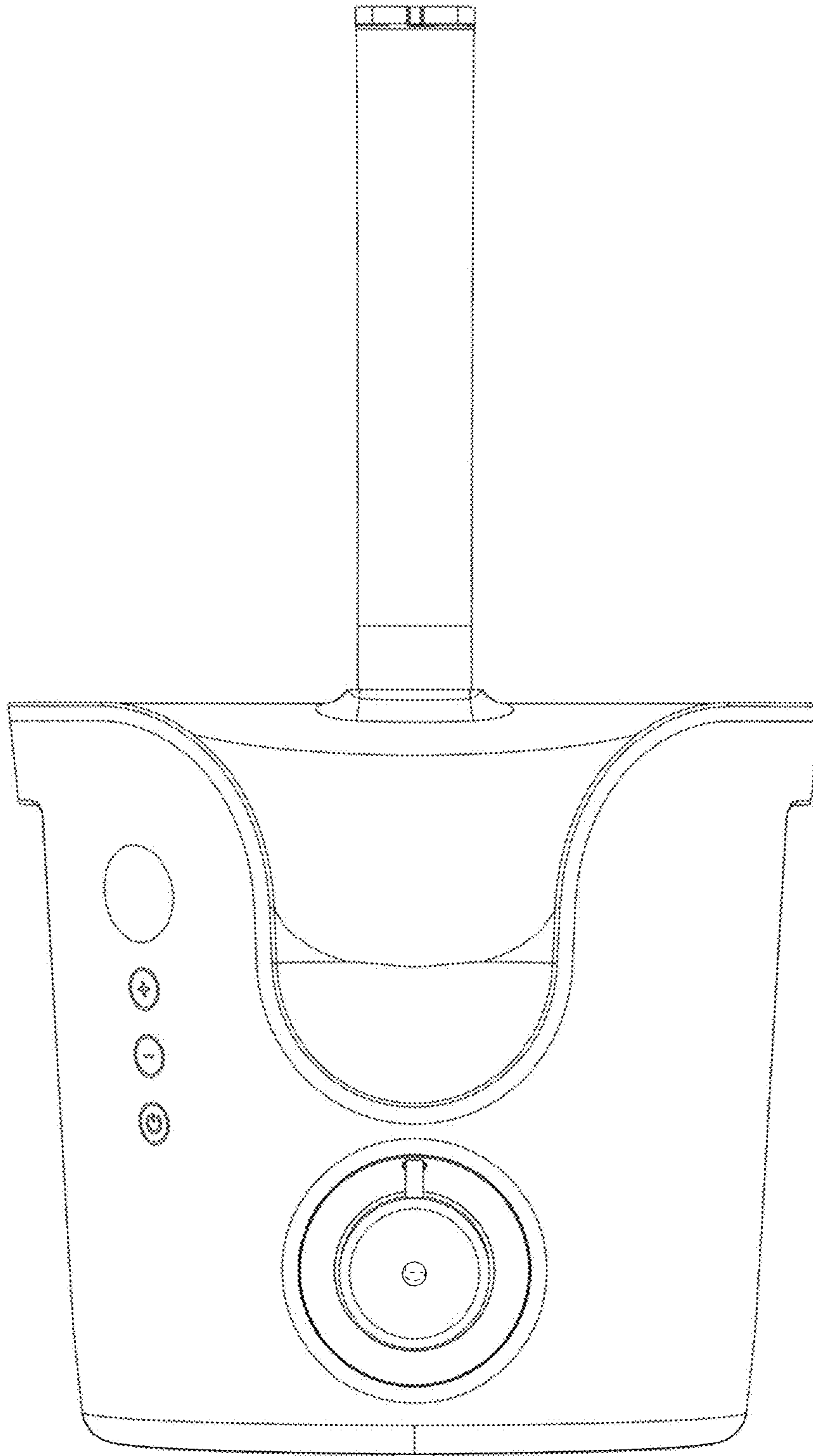


FIG. 1

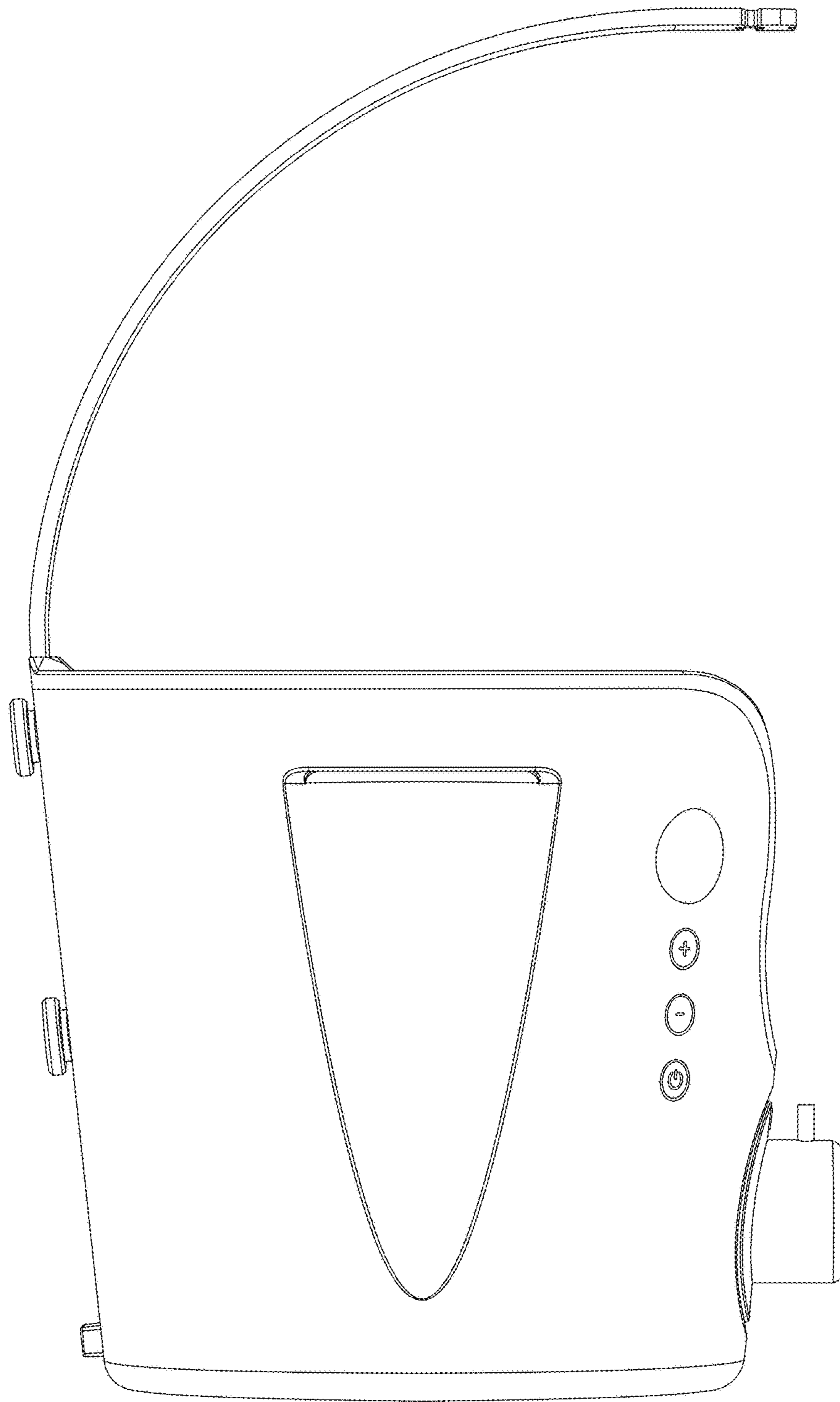


FIG. 2

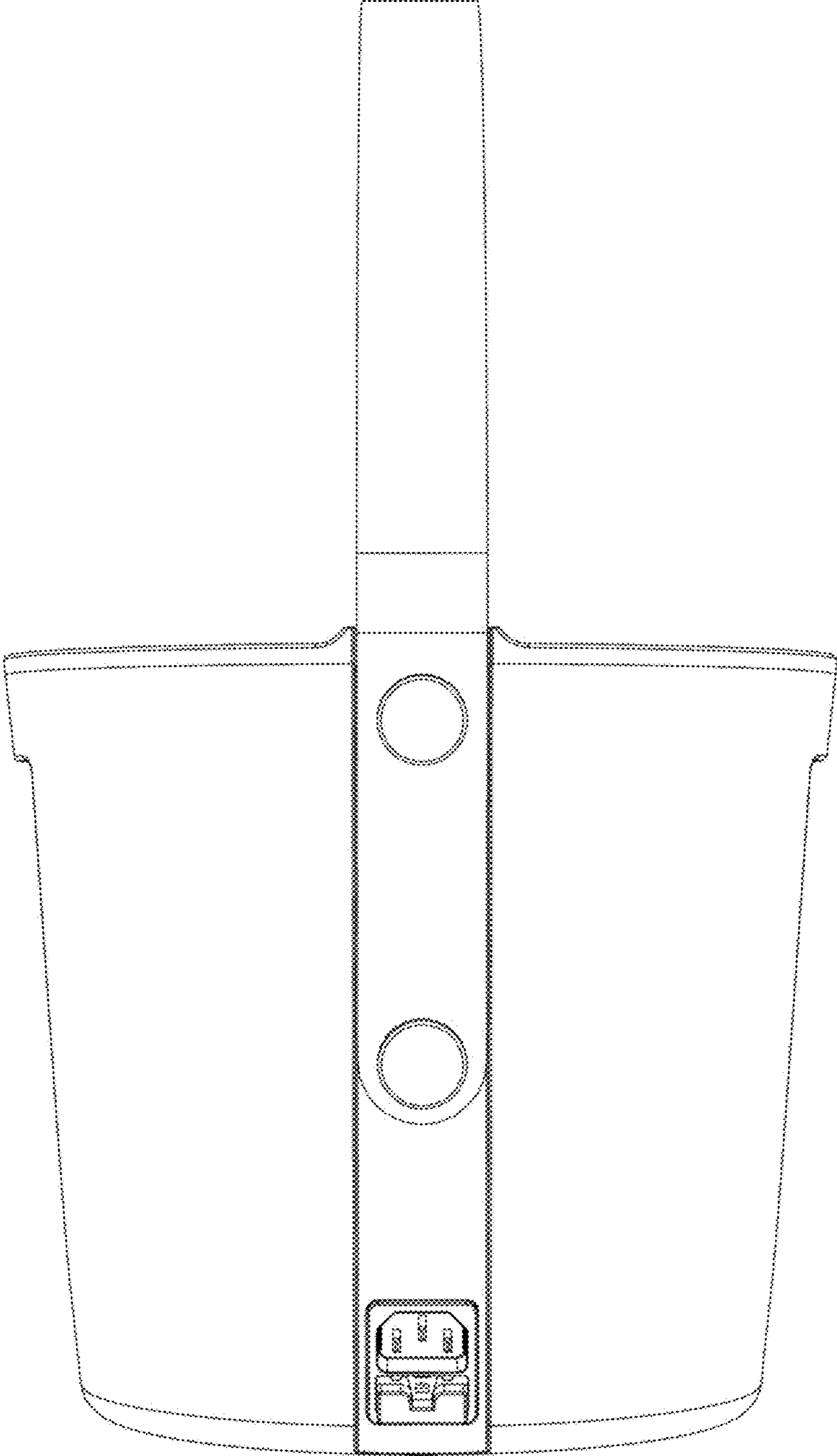


FIG. 3

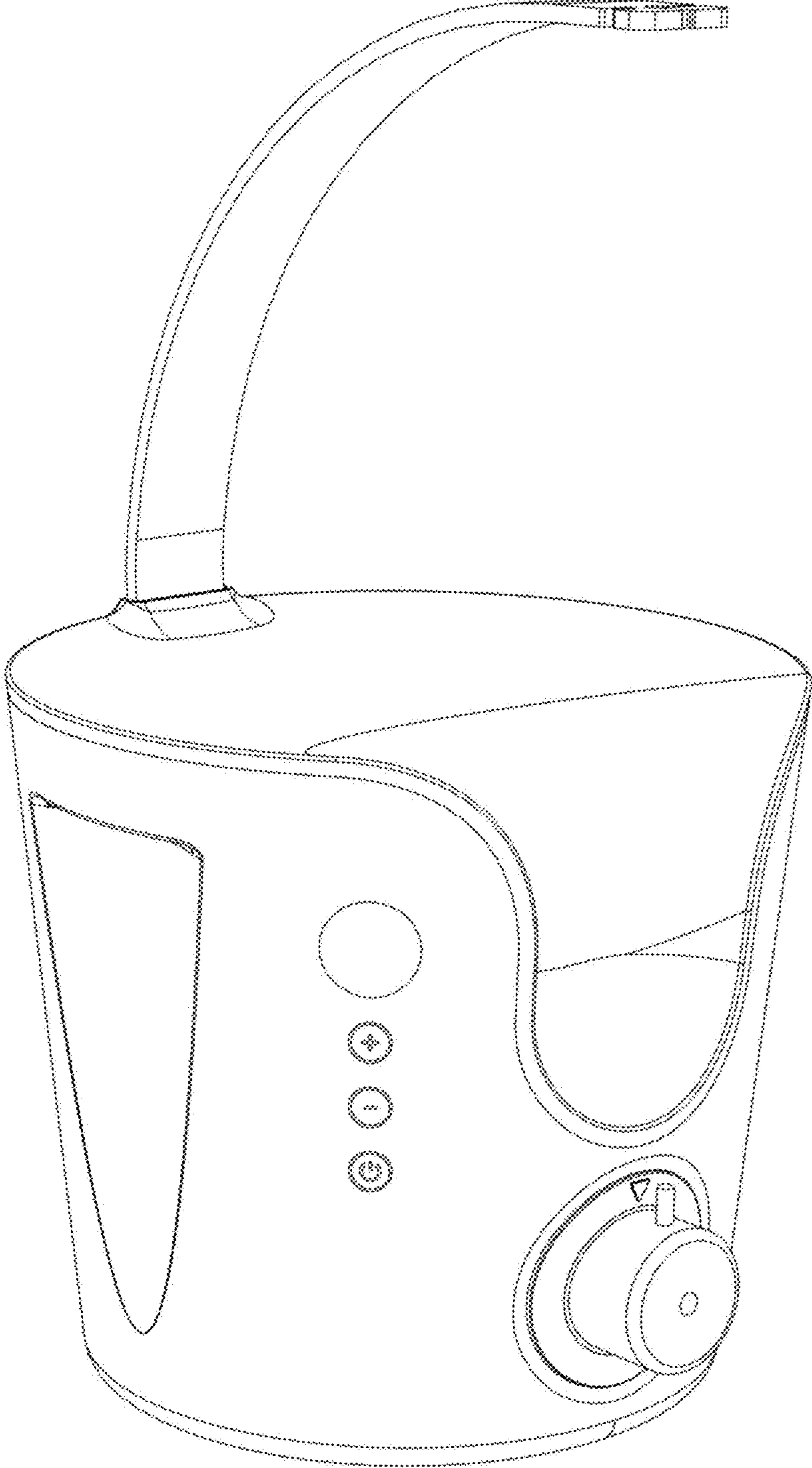


FIG. 4

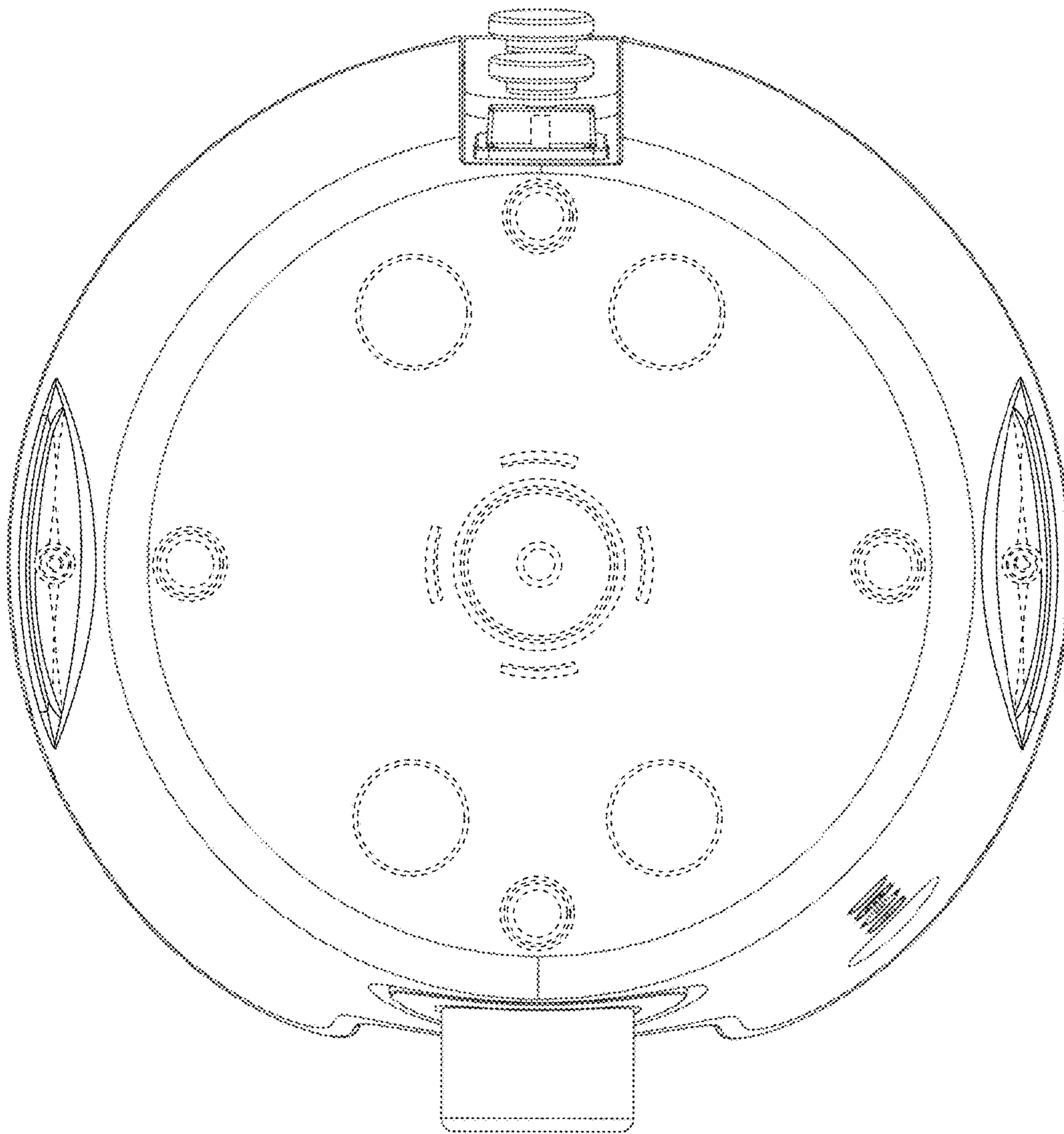


FIG. 5

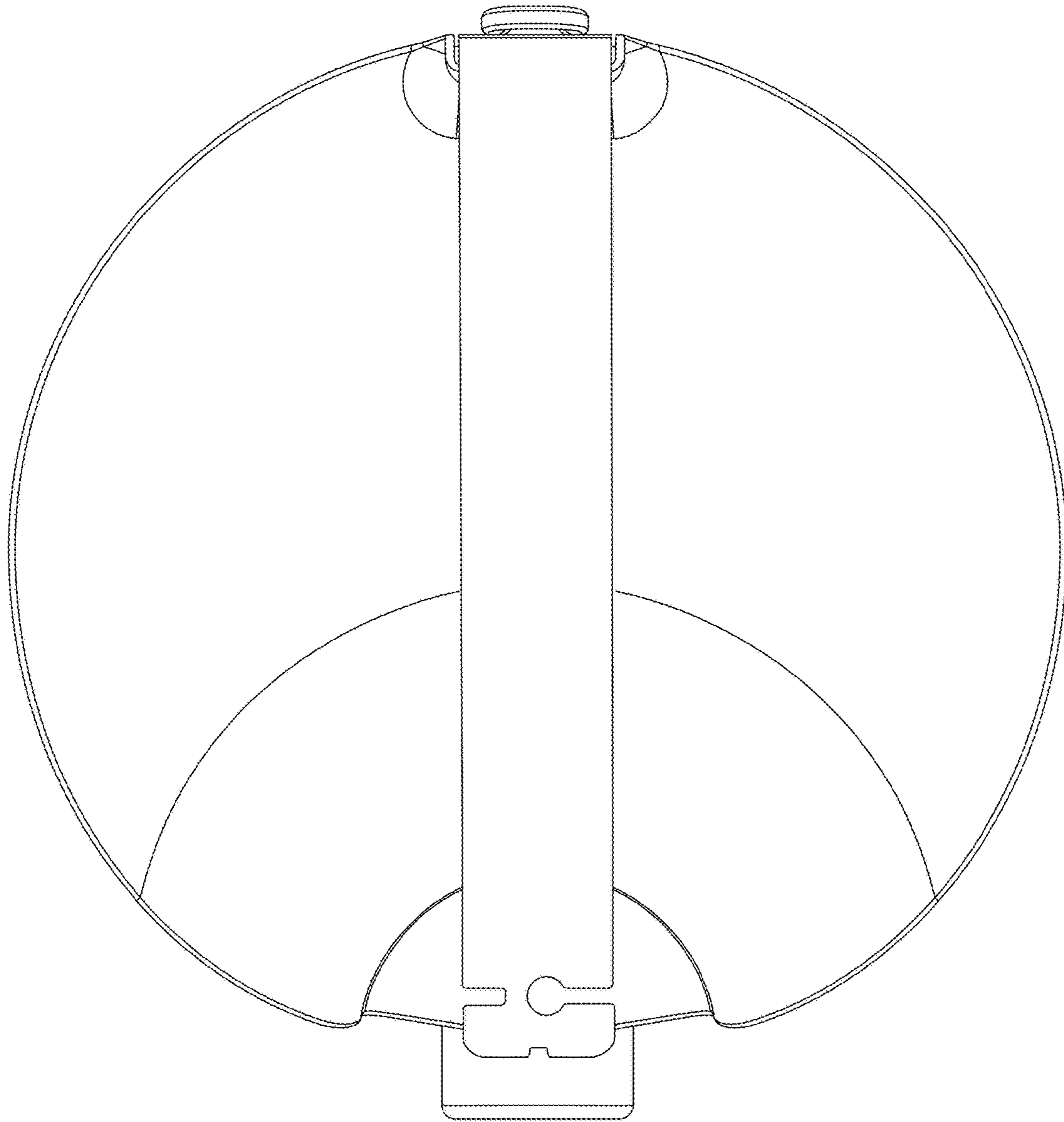


FIG. 6

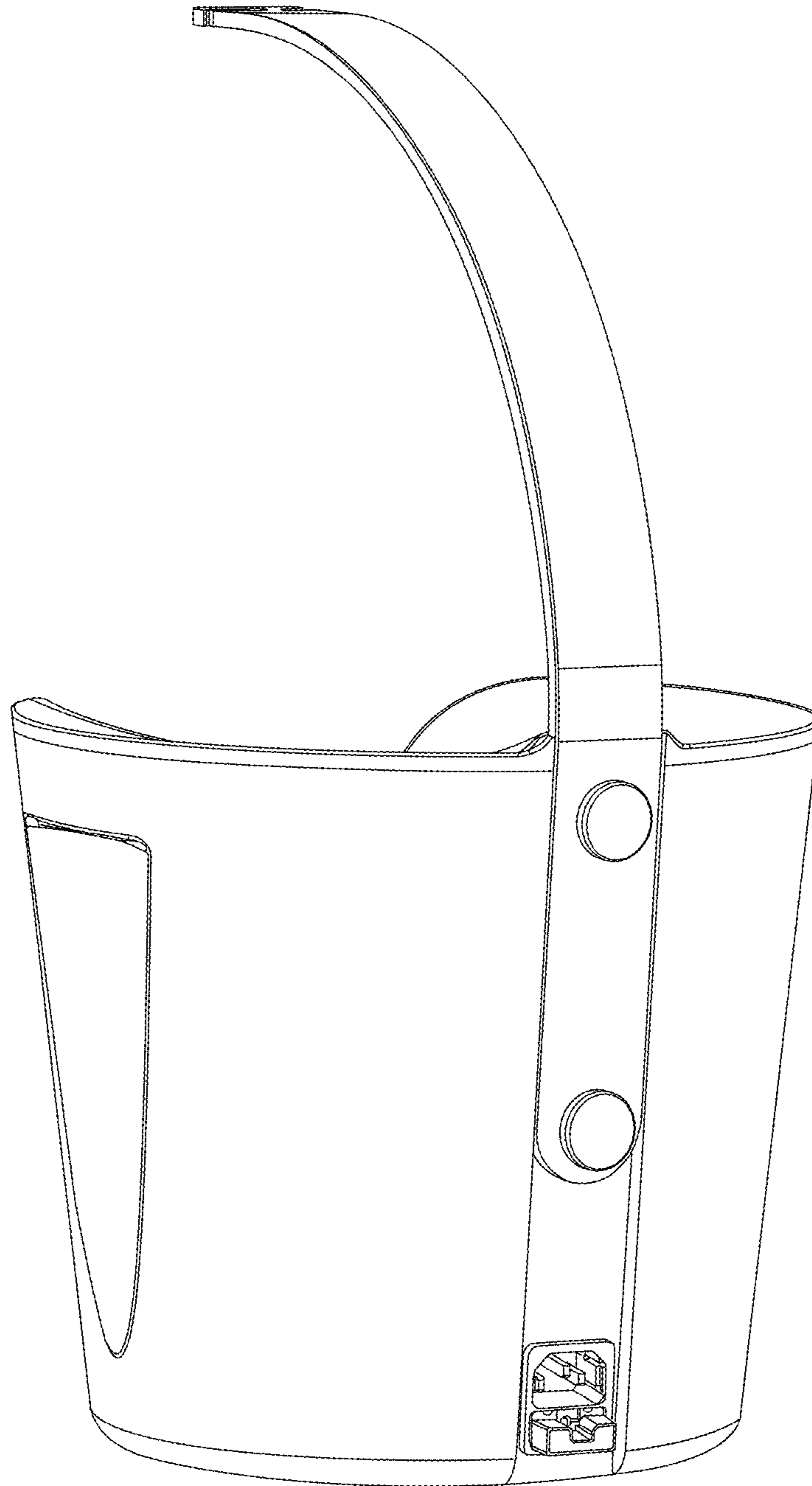


FIG. 7

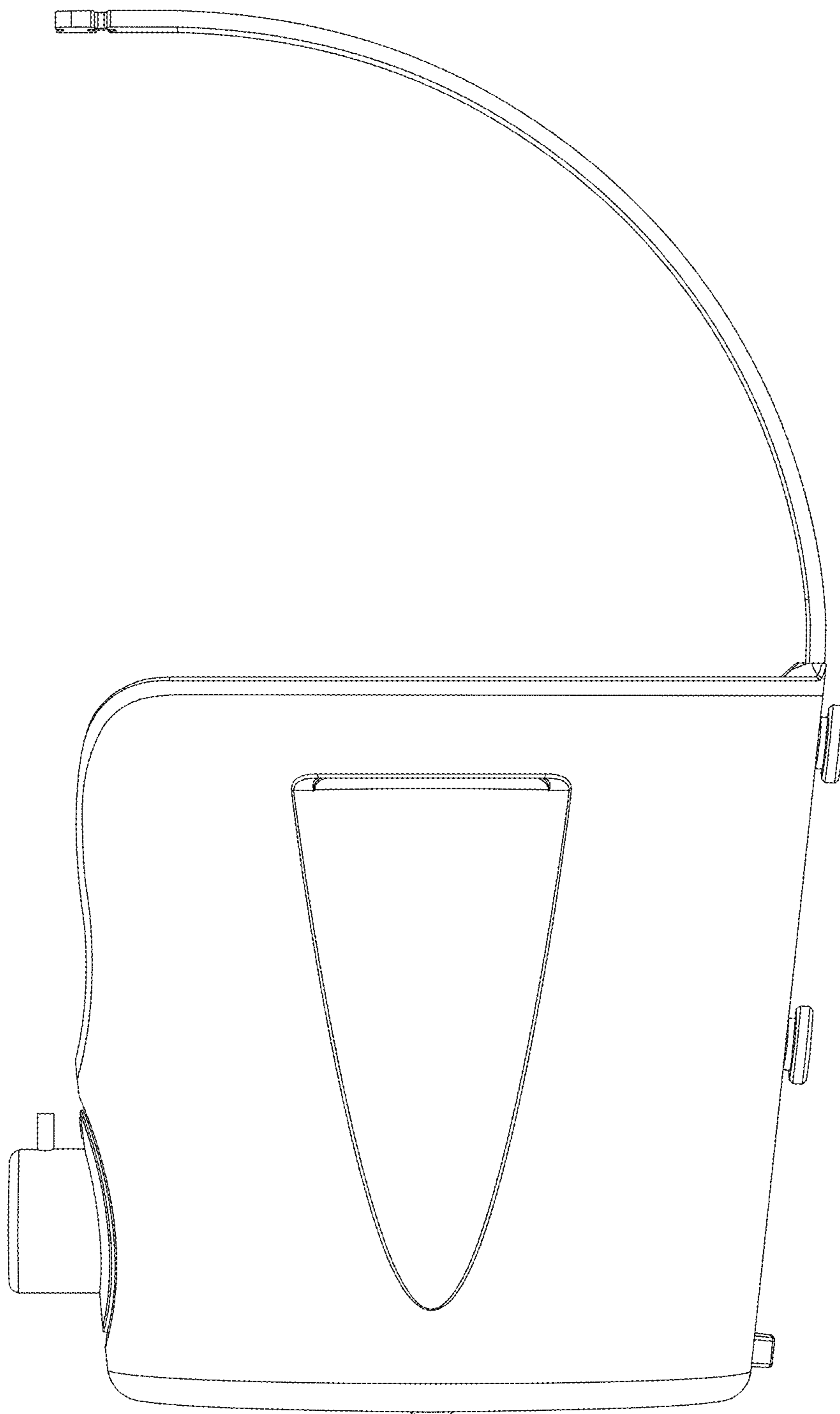


FIG. 8