



US00D832996S

(12) **United States Design Patent** (10) **Patent No.:** **US D832,996 S**
Formica et al. (45) **Date of Patent:** **** Nov. 6, 2018**

(54) **POSITIVE AIRWAY PRESSURE DELIVERY CONSOLE**

(71) Applicant: **ResMed Limited**, Bella Vista, New South Wales (AU)

(72) Inventors: **Justin John Formica**, Sydney (AU); **Mark Bertinetti**, Sydney (AU); **Henri Spaille**, Sydney (AU); **Justin Peter Wagemakers**, Sydney (AU)

(73) Assignee: **ResMed Limited**, Bella Vista (AU)

(**) Term: **15 Years**

(21) Appl. No.: **29/579,199**

(22) Filed: **Sep. 28, 2016**

Related U.S. Application Data

(62) Division of application No. 29/515,282, filed on Jan. 21, 2015, now Pat. No. Des. 771,799, which is a division of application No. 29/456,458, filed on May 31, 2013, now Pat. No. Des. 738,488.

(51) **LOC (11) Cl.** **29-02**

(52) **U.S. Cl.**
USPC **D24/110**

(58) **Field of Classification Search**
USPC D24/110, 164; D23/356, 358; 128/200.16, 200.18, 200.23, 200.24, 128/200.22, 202.27, 204.14, 204.18, 128/204.23, 203.16, 203.17, 203.27
CPC B01D 24/00; B01D 53/22; B01D 53/30; A61M 16/00; A61M 16/0051; A61M 16/0057; A61M 16/16; A61M 16/109; A61M 16/0066; A61M 2205/14; A61M 2205/50; A61M 2205/502; A61M 2205/52; A61M 2205/6063; A61M 2205/42; A62B 9/003; B29L 2031/753
See application file for complete search history.

(56) **References Cited**

U.S. PATENT DOCUMENTS

2,073,335 A	3/1937	Karl
2,516,864 A	8/1950	Gilmore
2,524,522 A	10/1950	Gilmore
2,954,802 A	10/1960	Duff
3,163,707 A	12/1964	Darling
D217,550 S	5/1970	Cambell
D302,040 S	7/1989	Lambert

(Continued)

OTHER PUBLICATIONS

U.S. Office Action dated Jul. 5, 2016 issued in U.S. Appl. No. 29/502,152 (15 pages).

Primary Examiner — Wan Laymon

Assistant Examiner — Mark Booker

(74) *Attorney, Agent, or Firm* — Nixon & Vanderhye P.C.

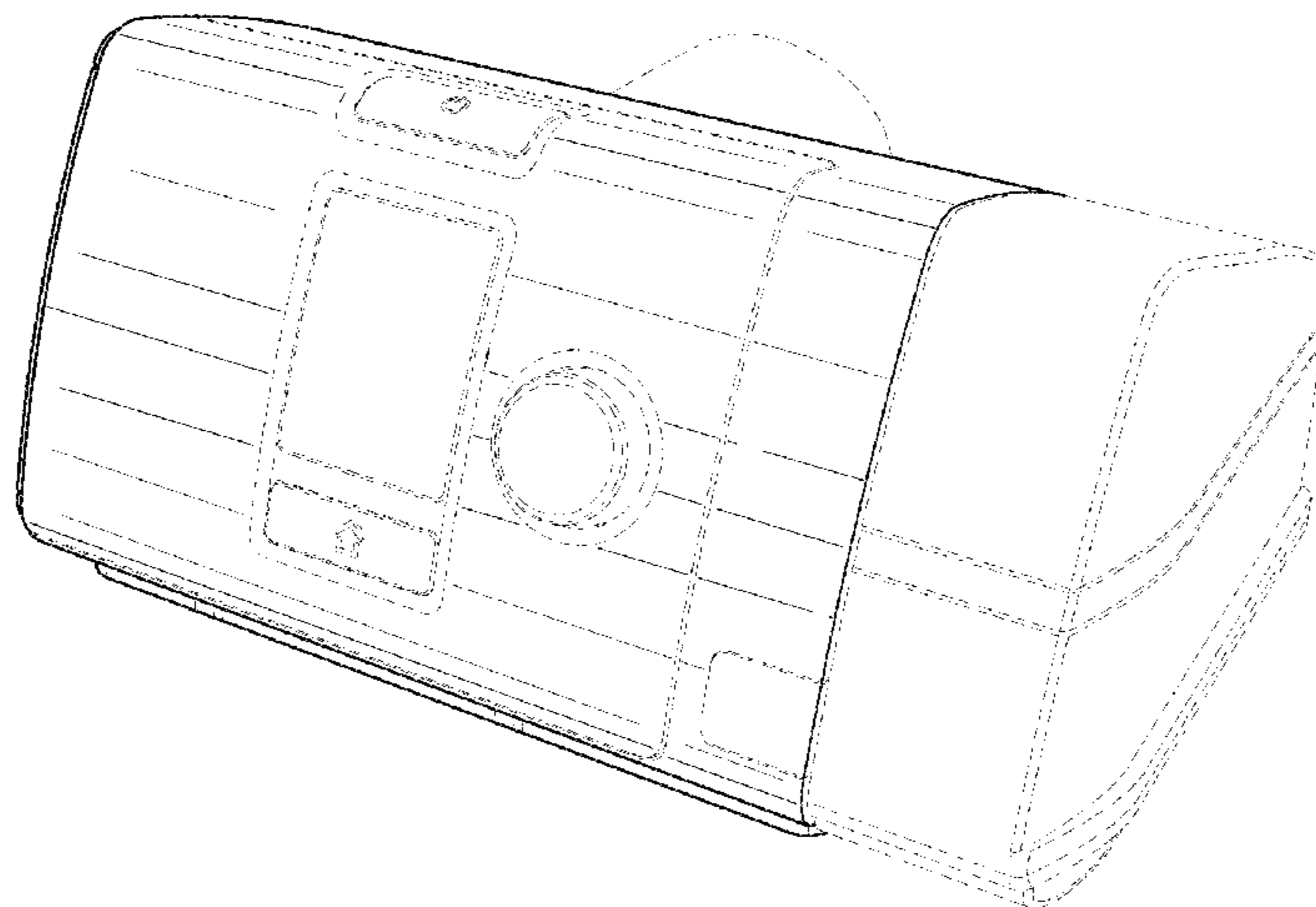
(57) **CLAIM**

The ornamental design for a positive airway pressure delivery console, as shown and described.

DESCRIPTION

FIG. 1 is a front perspective view of a positive airway pressure delivery console showing a first embodiment according to our new ornamental design; FIG. 2 is front view thereof; FIG. 3 is a rear view thereof; FIG. 4 is a top view thereof; FIG. 5 is a bottom view thereof; FIG. 6 is a right side view thereof; FIG. 7 is a left side view thereof; and, FIG. 8 is another front perspective view thereof. The broken lines represent environment or structure and do not form a portion of the claimed design. One or more views (e.g., the bottom view) may be omitted and therefore does not form a part of the claimed design.

1 Claim, 5 Drawing Sheets



(56)

References Cited

U.S. PATENT DOCUMENTS

D360,027 S 7/1995 Psaros
 D439,326 S 3/2001 Hecker
 D473,941 S 4/2003 Cise
 D476,731 S 7/2003 Cise
 D486,909 S 2/2004 Cise
 6,722,904 B2 4/2004 Linhart
 D493,520 S * 7/2004 Bertinetti D24/110
 7,226,302 B2 6/2007 Walter
 D560,795 S * 1/2008 Lithgow D24/110
 D614,286 S 4/2010 Lithgow
 D638,432 S 5/2011 Flik
 D644,731 S 9/2011 Fangrow, Jr.
 8,100,127 B2 1/2012 Worley
 D659,235 S * 5/2012 Bertinetti D24/110
 D665,412 S 8/2012 Rai
 D680,125 S 4/2013 Chaudhri
 D682,441 S 5/2013 Kim
 D695,388 S 12/2013 Lithgow
 D707,334 S 6/2014 Hernandez
 D708,316 S 7/2014 Bertinetti
 D710,989 S 8/2014 Bertinetti
 D716,419 S 10/2014 Hernandez
 8,905,031 B2 12/2014 Barlow
 D725,134 S 3/2015 Boettcher
 D729,936 S 5/2015 Reback
 D731,538 S 6/2015 Lee
 D733,733 S 7/2015 Bae
 D734,356 S 7/2015 Xiong
 D736,248 S 8/2015 Chen
 D736,371 S 8/2015 Row
 D736,818 S 8/2015 Trabona
 D738,488 S 9/2015 Formica
 D738,489 S 9/2015 Formica
 D738,894 S 9/2015 Kim
 D739,864 S 9/2015 Kang
 D741,477 S 10/2015 Rogers
 D741,894 S 10/2015 Drozd
 D741,912 S 10/2015 Gomez
 D742,508 S 11/2015 Row

D743,556 S 11/2015 Bath
 D743,976 S 11/2015 Wilberding
 D744,108 S * 11/2015 Verma D24/164
 D744,501 S 12/2015 Wilberding
 D744,520 S 12/2015 Mclaughlin
 D745,016 S 12/2015 Lee
 D745,528 S 12/2015 Lee
 D745,542 S 12/2015 Kim
 D745,880 S 12/2015 Lima
 D745,883 S 12/2015 Anderson
 D746,294 S 12/2015 Jung
 D746,311 S 12/2015 Ta
 D746,320 S 12/2015 Shardlow
 D746,831 S 1/2016 Chaudhri
 D746,850 S 1/2016 Steplyk
 D746,855 S 1/2016 Choi
 D746,858 S 1/2016 Vogt
 D746,864 S 1/2016 Dellinger
 D757,927 S * 5/2016 Lubke D24/110.1
 D759,234 S 6/2016 Bertinetti
 D760,258 S 6/2016 Bertinetti
 9,402,970 B2 * 8/2016 Virr A61M 16/0816
 D771,799 S * 11/2016 Formica D24/110
 D775,346 S 12/2016 Bath
 D776,256 S 1/2017 Formica
 D798,428 S * 9/2017 Cork D23/360
 D809,124 S * 1/2018 Bertinetti D24/110
 2007/0277828 A1 12/2007 Ho
 2009/0025724 A1 1/2009 Herron, Jr.
 2010/0307502 A1 12/2010 Rummery
 2011/0023874 A1 2/2011 Bath
 2012/0227738 A1 9/2012 Virr
 2014/0202460 A1 7/2014 Bath
 2014/0208241 A1 7/2014 Charles
 2014/0216459 A1 8/2014 Vos
 2015/0273167 A1 10/2015 Feldhahn
 2015/0277733 A1 10/2015 Schwaibold
 2015/0283350 A1 10/2015 Miller
 2015/0306326 A1 10/2015 Graham
 2015/0306332 A1 10/2015 Bafile

* cited by examiner

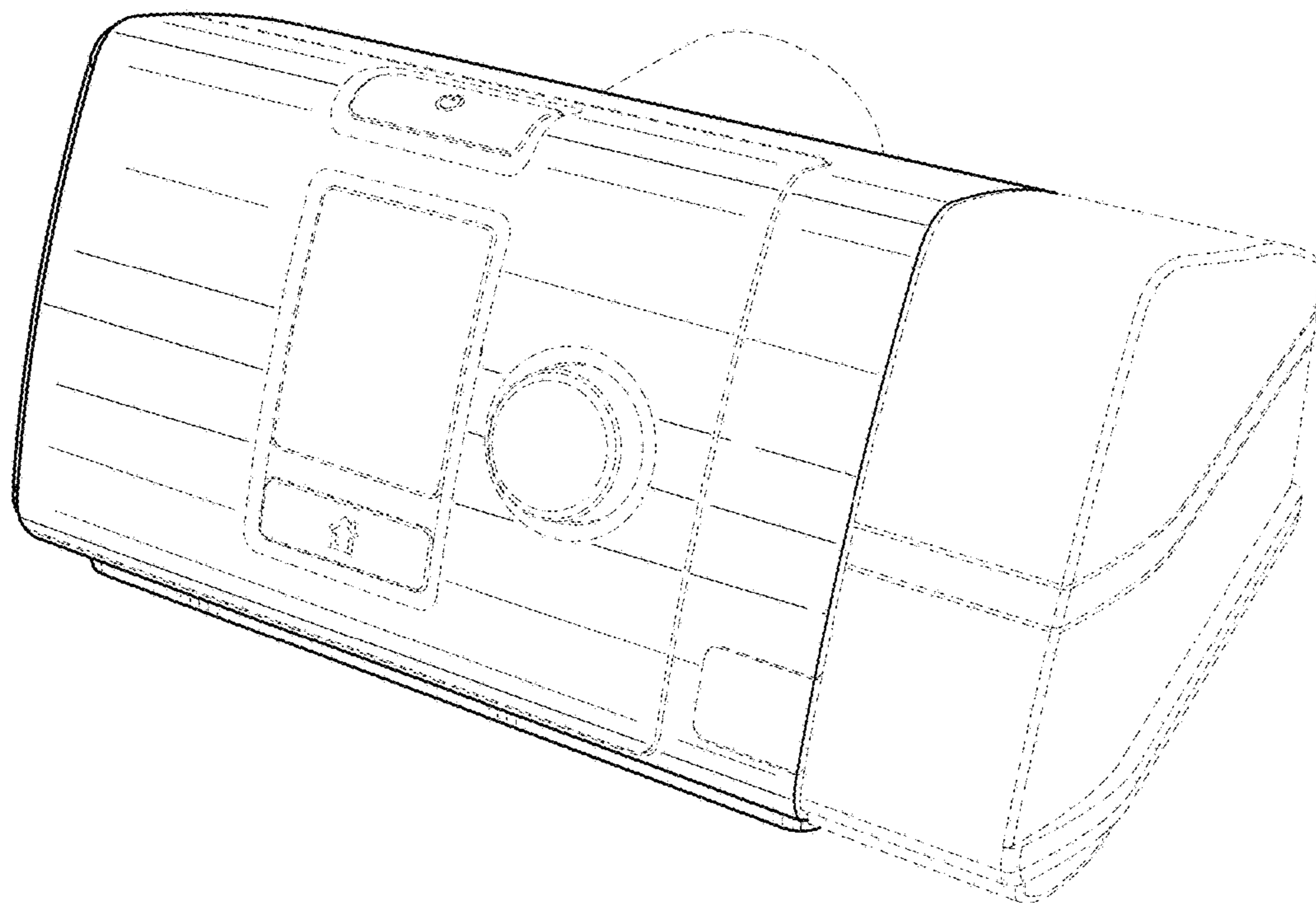


FIG. 1

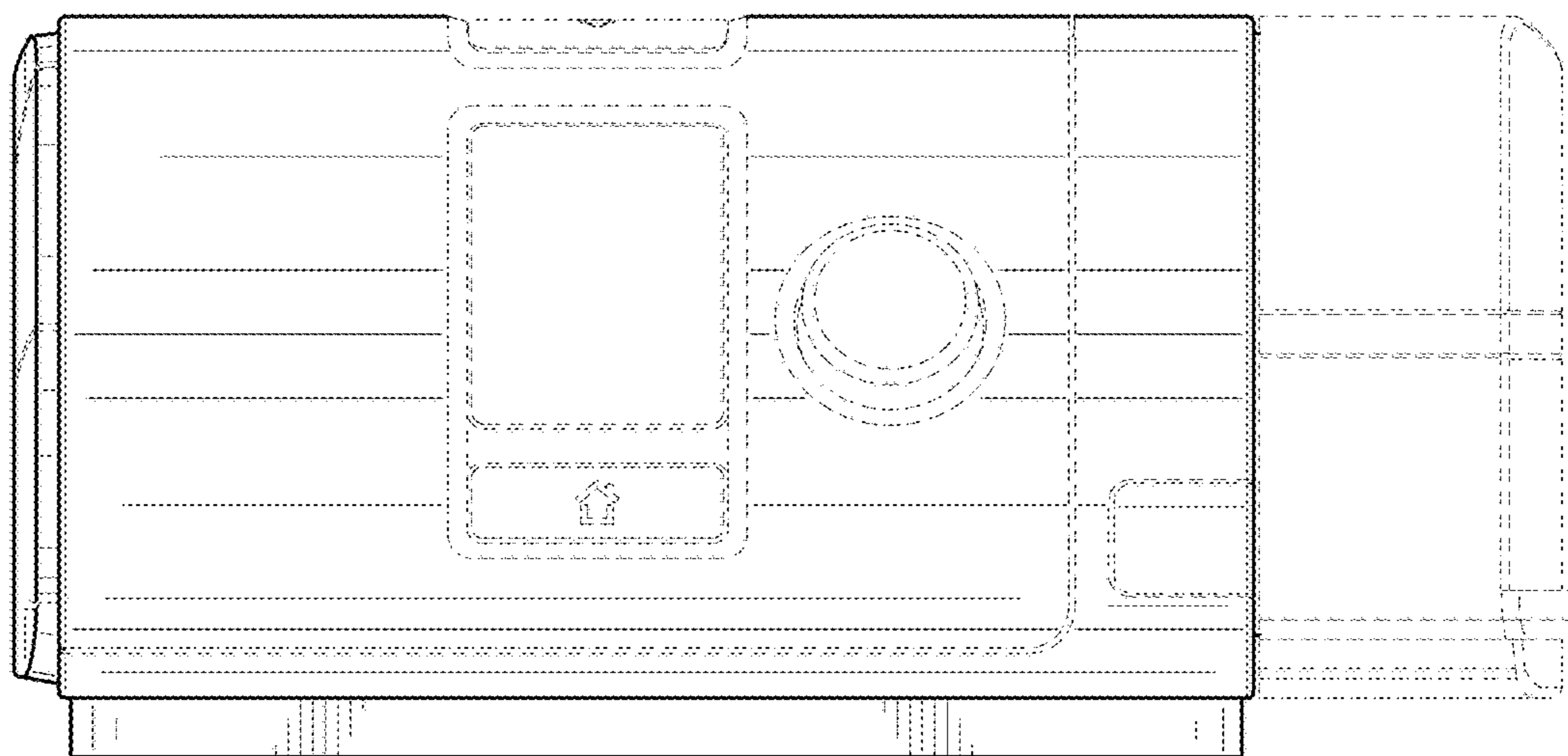


FIG. 2

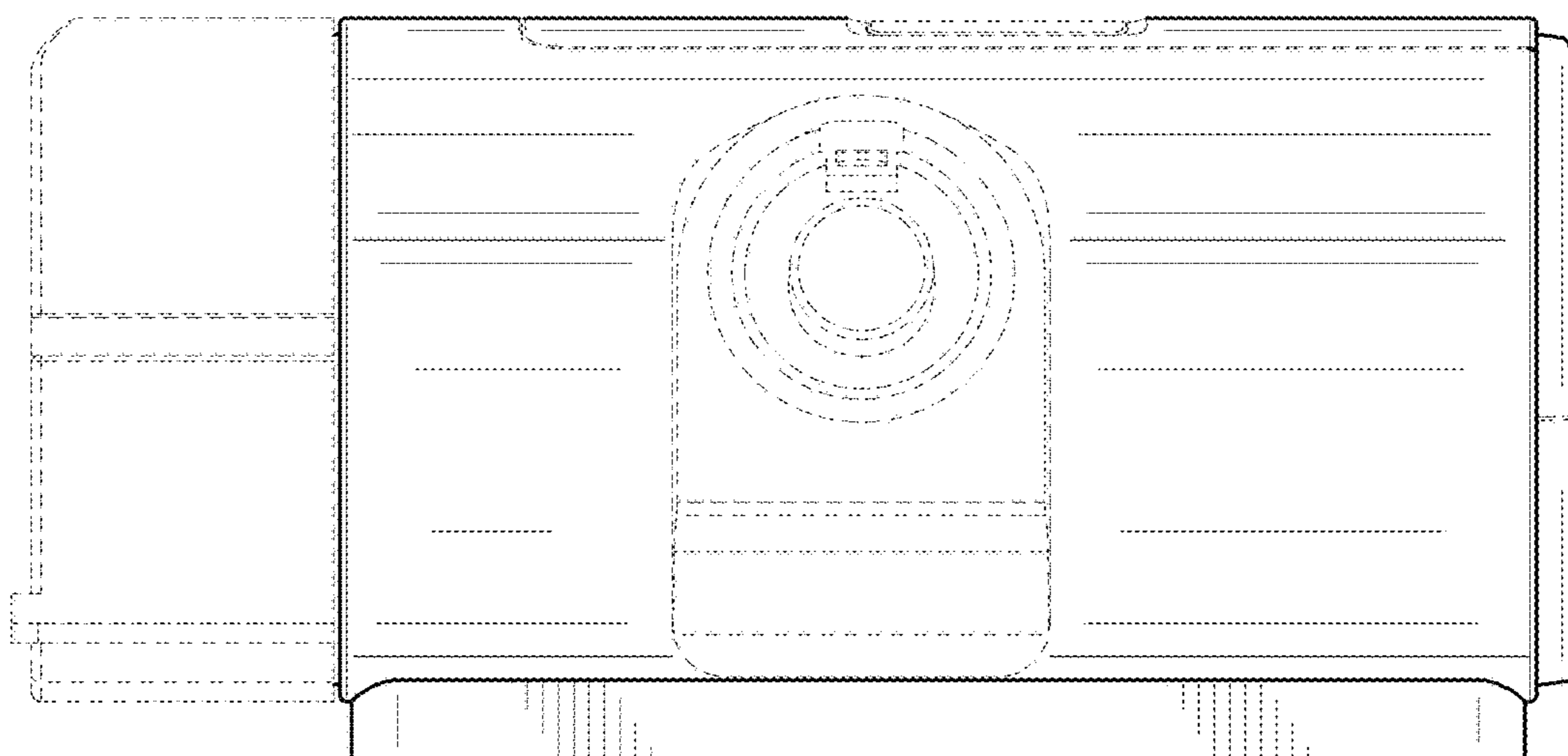


FIG. 3

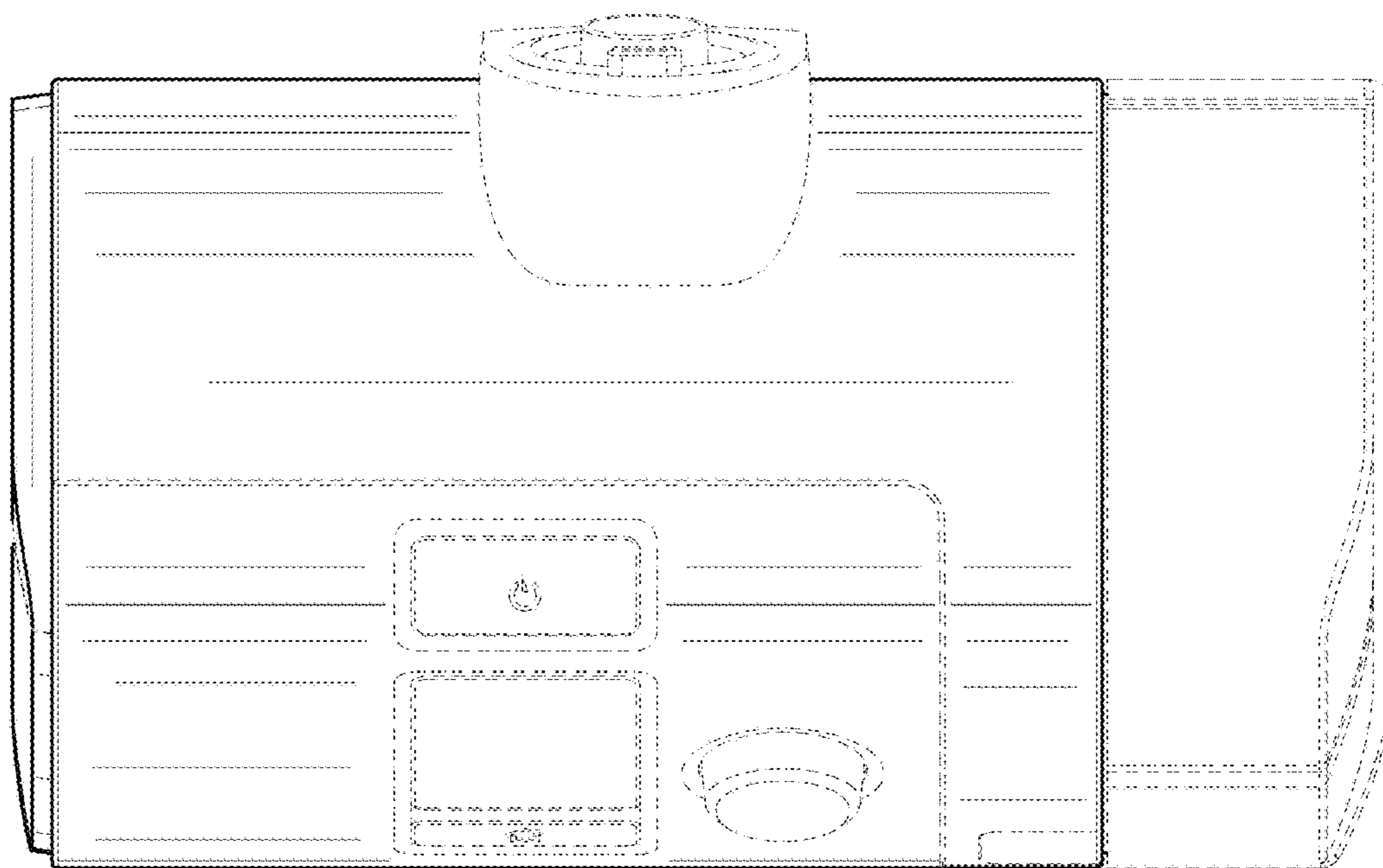


FIG. 4

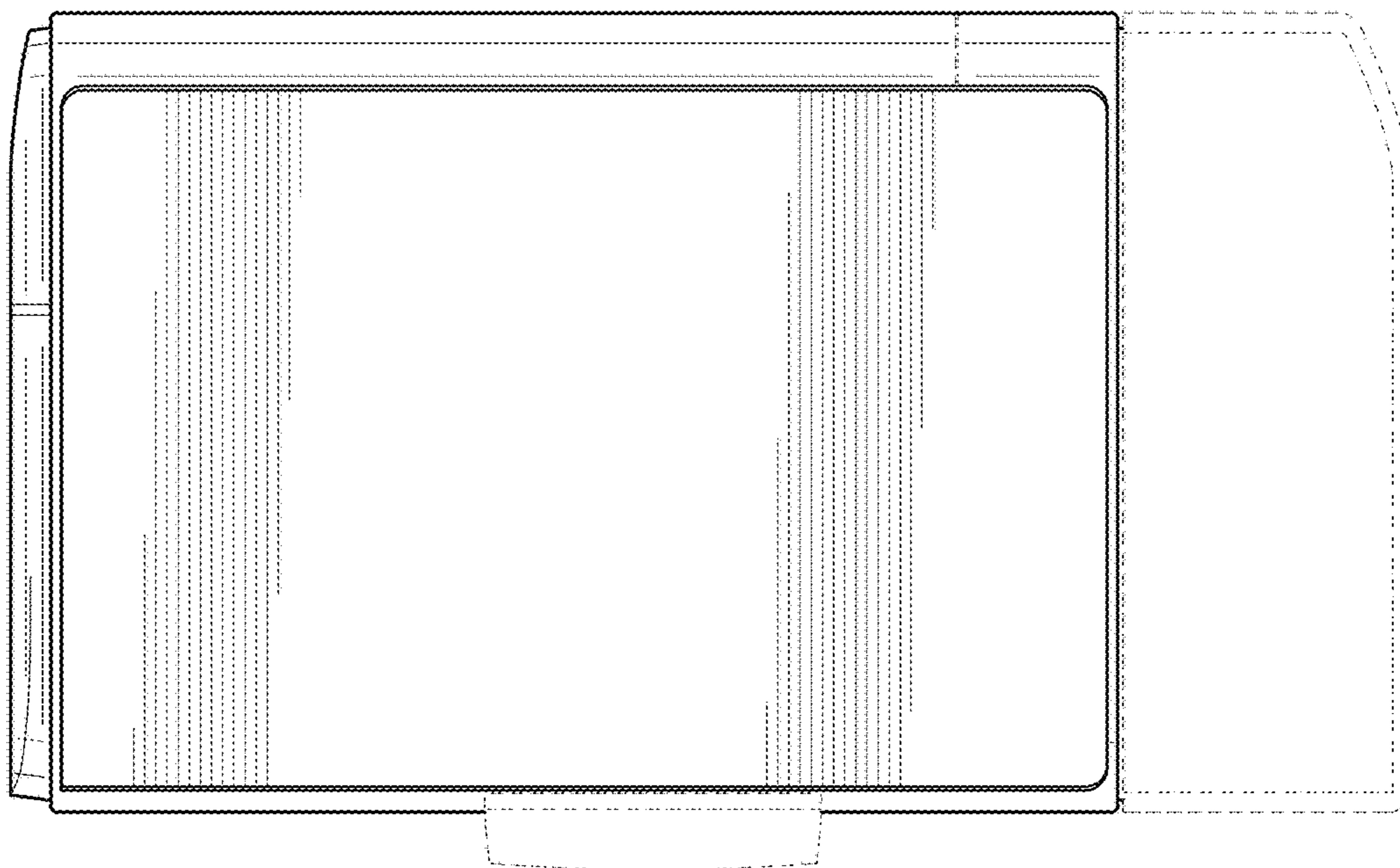


FIG. 5

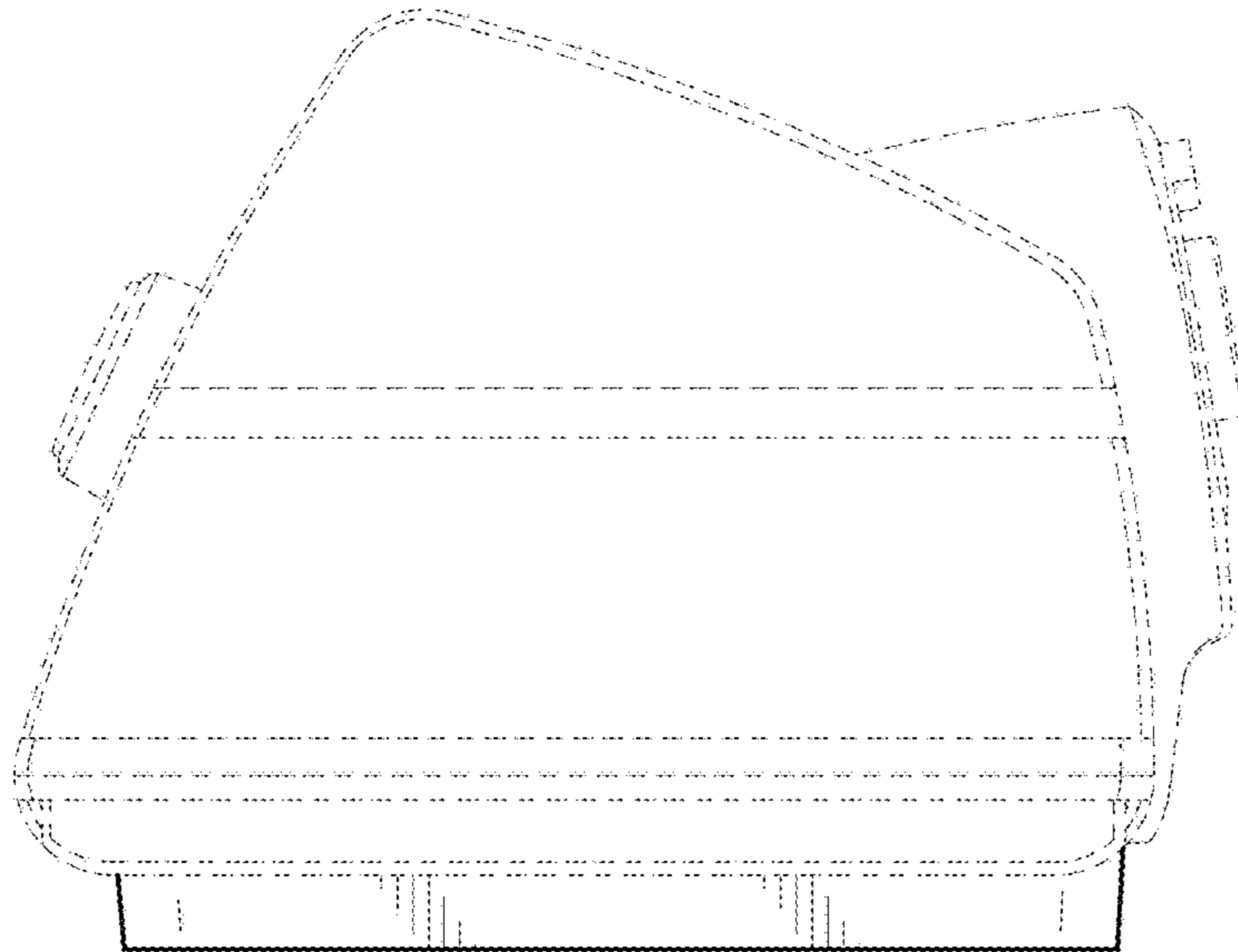


FIG. 6

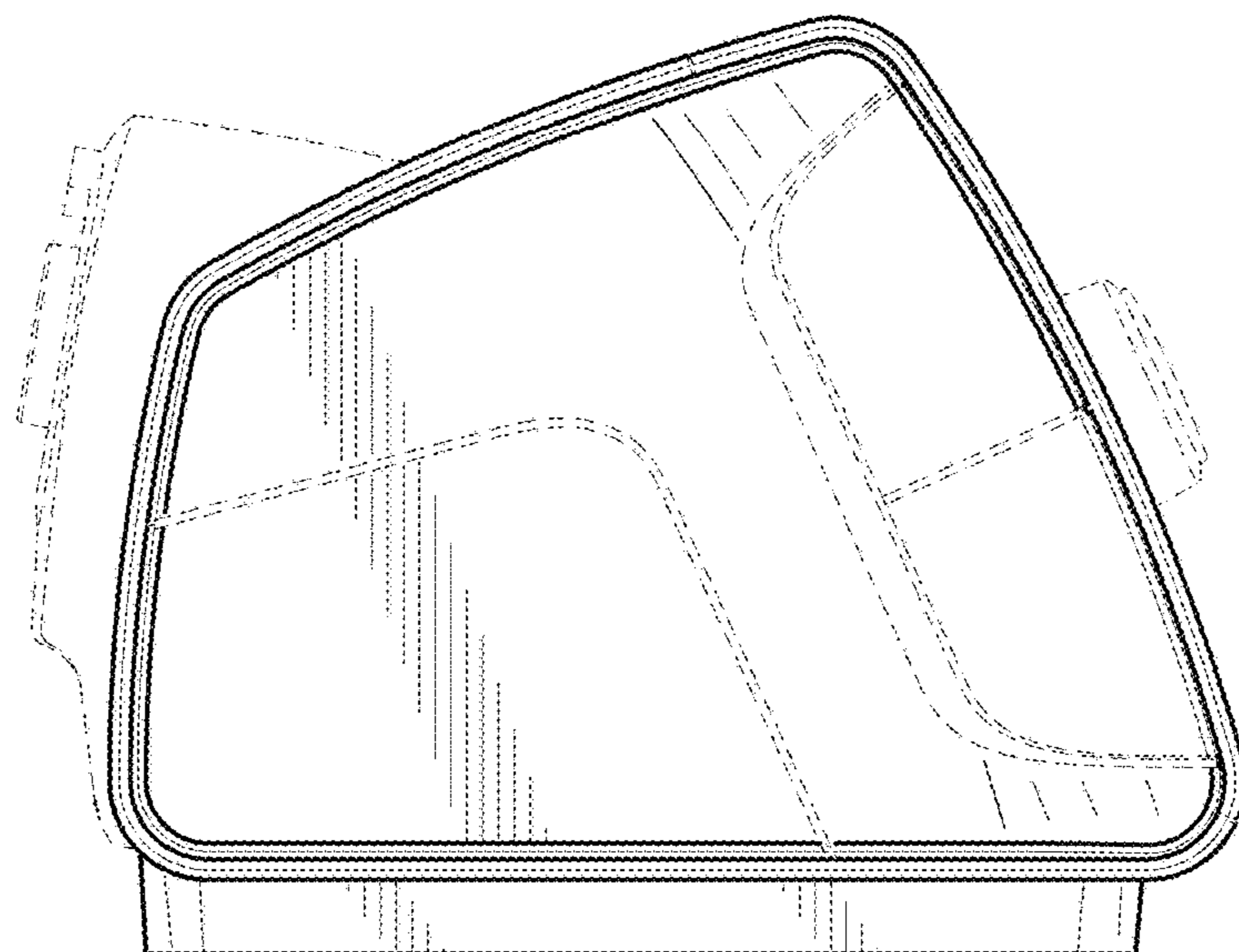


FIG. 7

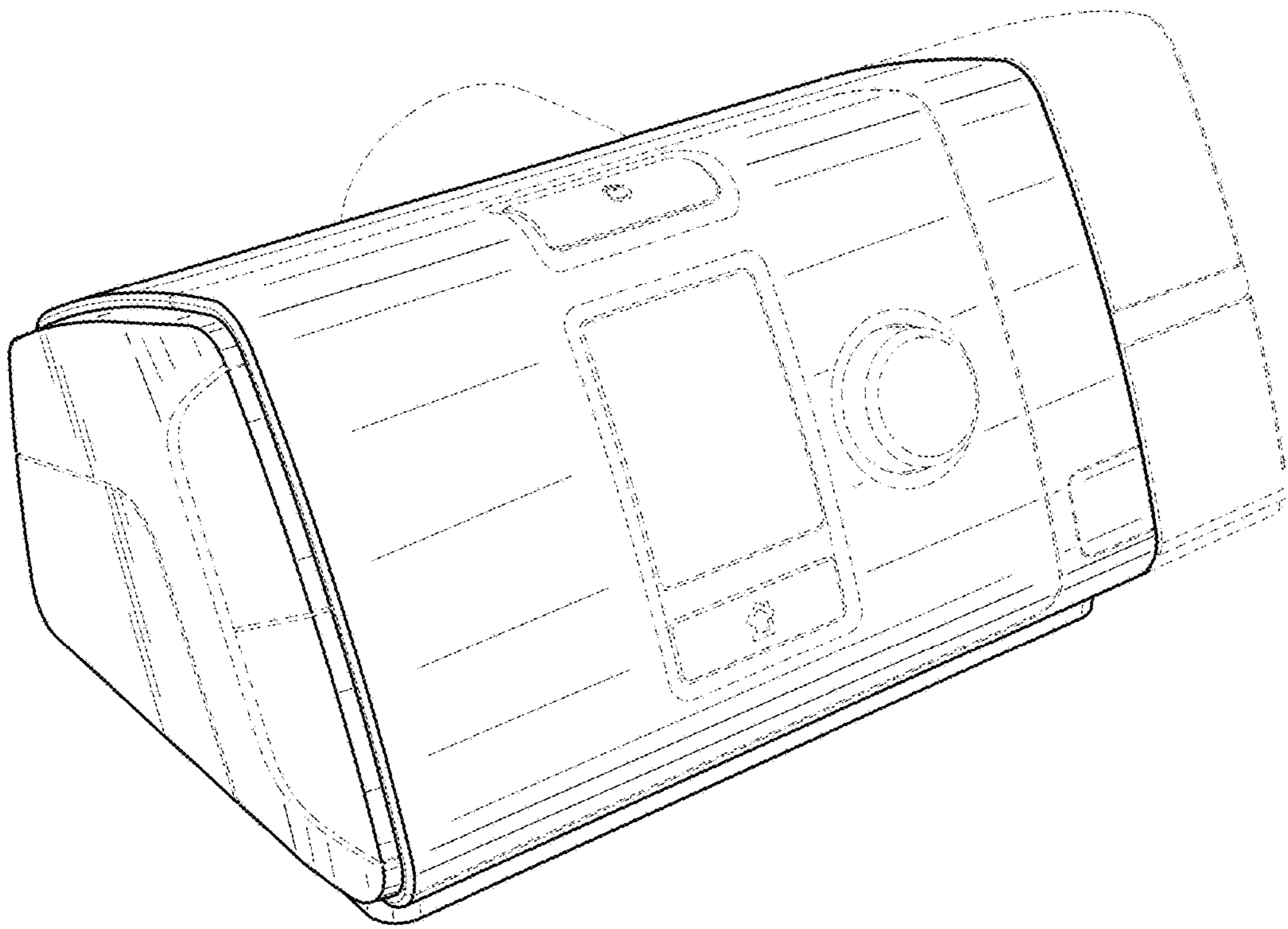


FIG. 8