



US00D832994S

(12) **United States Design Patent**  
**Lee**

(10) **Patent No.:** **US D832,994 S**  
(45) **Date of Patent:** **\*\* Nov. 6, 2018**

(54) **TETRODE DECELERATION LENS**

D420,455 S \* 2/2000 Haba ..... D16/235  
D607,126 S \* 12/2009 Sakai ..... D26/1  
D625,847 S \* 10/2010 Maglica ..... D26/1  
D634,863 S \* 3/2011 Leung ..... D26/1  
D674,478 S \* 1/2013 Inoue ..... D24/107

(71) Applicant: **Varian Semiconductor Equipment Associates, Inc.**, Gloucester, MA (US)

(72) Inventor: **W. Davis Lee**, Newburyport, MA (US)

\* cited by examiner

(73) Assignee: **VARIAN SEMICONDUCTOR EQUIPMENT ASSOCIATES, INC.**, Gloucester, MA (US)

*Primary Examiner* — Marcus Jackson

(\*\*) Term: **15 Years**

(21) Appl. No.: **29/561,959**

(22) Filed: **Apr. 21, 2016**

(51) **LOC (11) Cl.** ..... **24-01**

(52) **U.S. Cl.**  
USPC ..... **D24/107**

(58) **Field of Classification Search**  
USPC ..... D26/1-4; 313/313, 315, 316, 317, 318,  
313/493; 315/52, 53, 56, 57, 58;  
D24/107, 108, 187, 232, 127; D10/81  
CPC ..... F21K 9/13; F21K 9/135; F21K 9/1375;  
A61K 31/74

See application file for complete search history.

(56) **References Cited**

**U.S. PATENT DOCUMENTS**

4,649,048 A \* 3/1987 Johnson ..... A61K 31/74  
424/78.01  
D407,485 S \* 3/1999 Lanza ..... D10/81

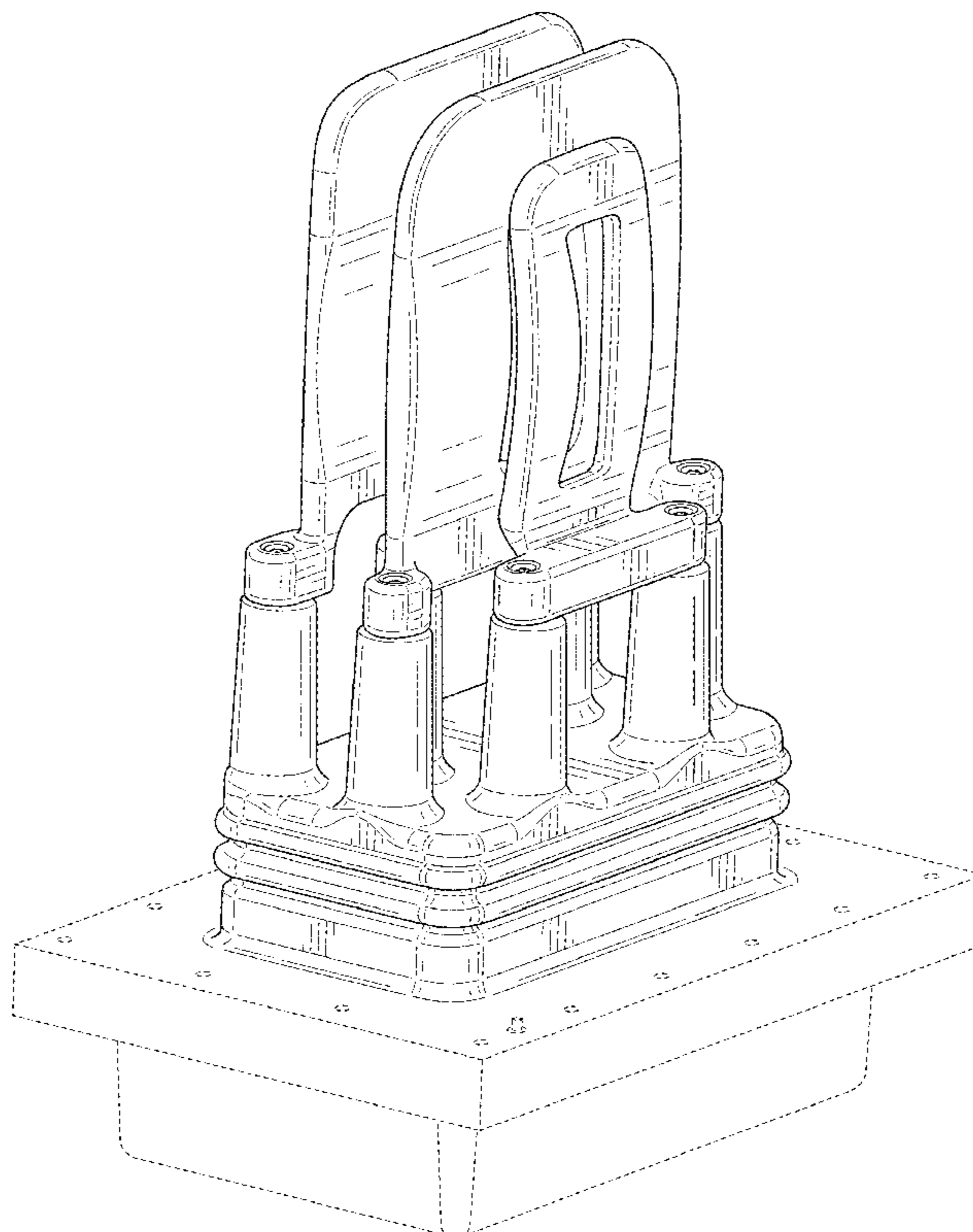
(57) **CLAIM**

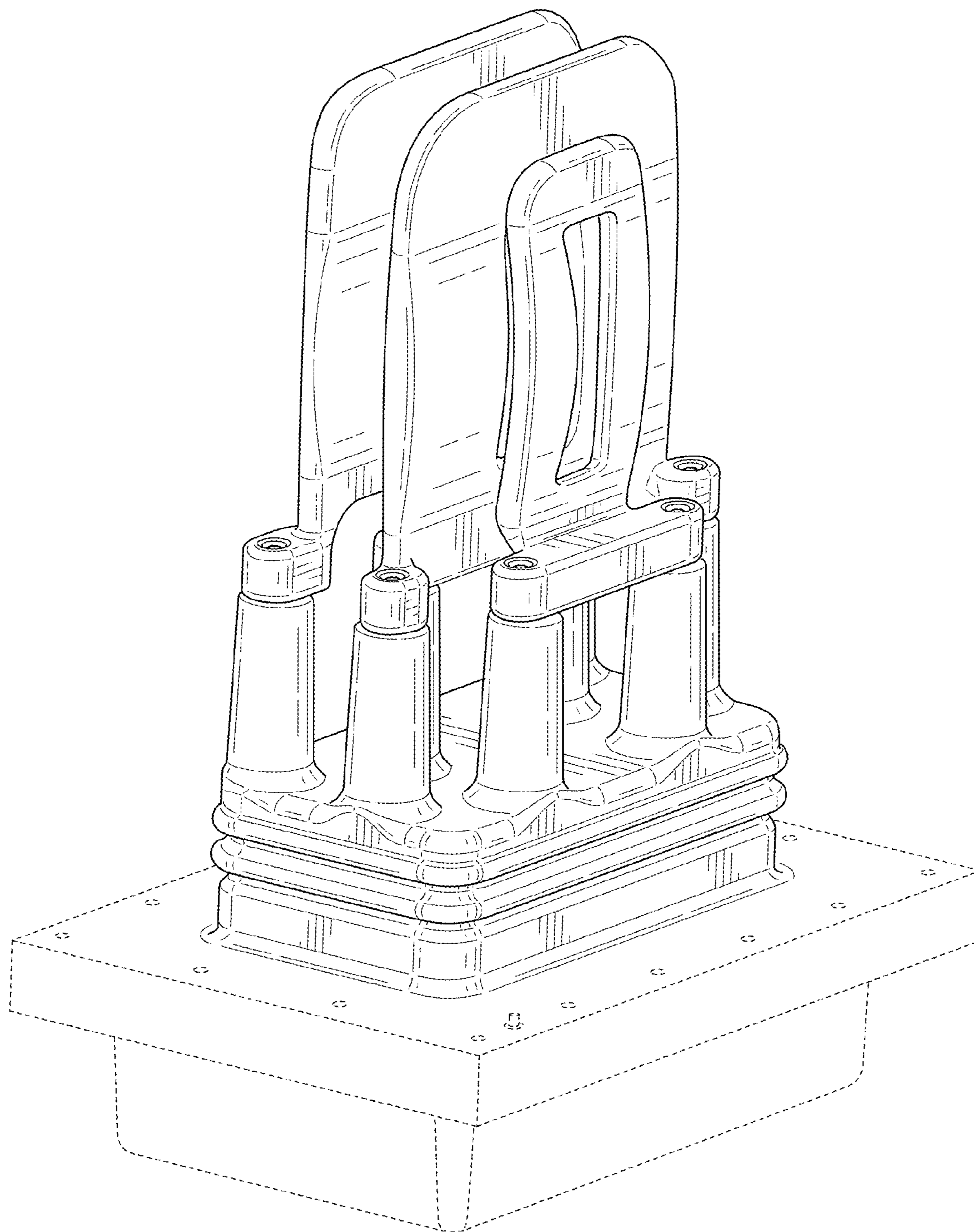
The ornamental design for a tetrode deceleraton lens, as shown and described.

**DESCRIPTION**

FIG. 1 is an isometric view of my new design;  
FIG. 2 is a reverse isometric view of the design of FIG. 1;  
FIG. 3 is a first side view of the design of FIG. 1;  
FIG. 4 is a second side view of the design of FIG. 1;  
FIG. 5 is a first end view of the design of FIG. 1;  
FIG. 6 is a second end view of the design of FIG. 1;  
FIG. 7 is a top view of the design of FIG. 1; and,  
FIG. 8 is a bottom view of the design of FIG. 1.  
The broken lines illustrate the environmental structure and form no part of the claimed design.

**1 Claim, 8 Drawing Sheets**





**FIG. 1**

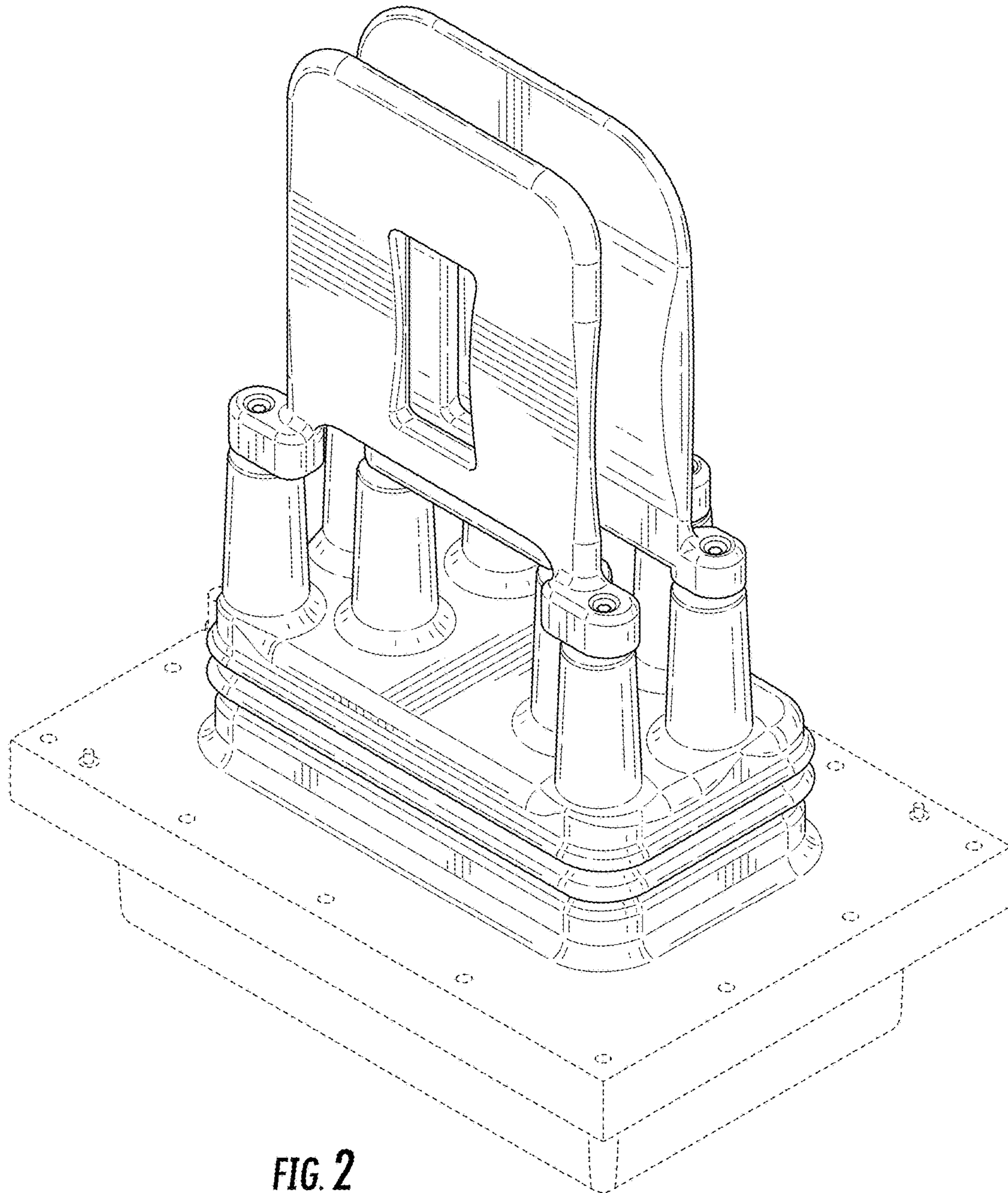
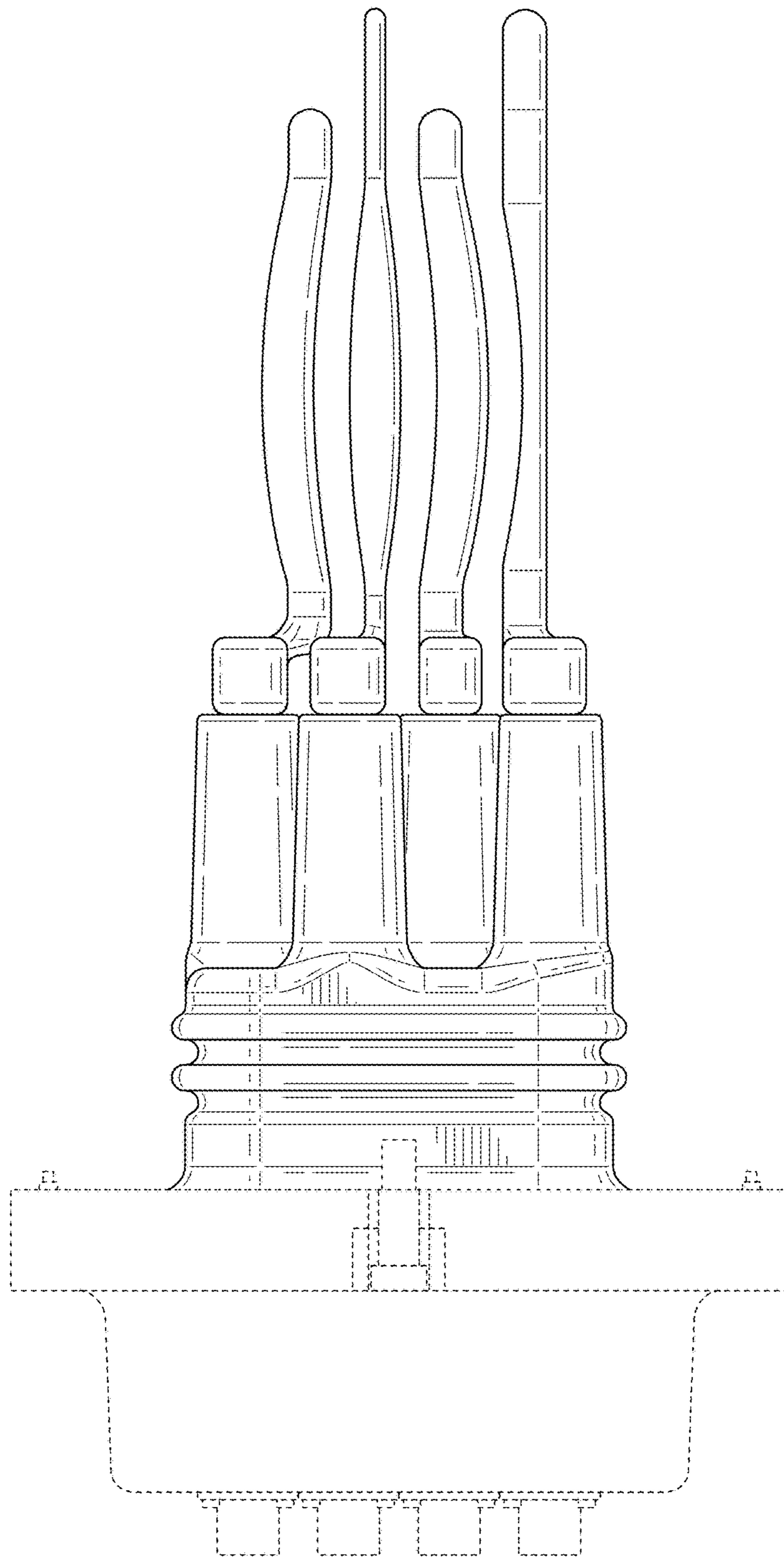


FIG. 2



**FIG. 3**

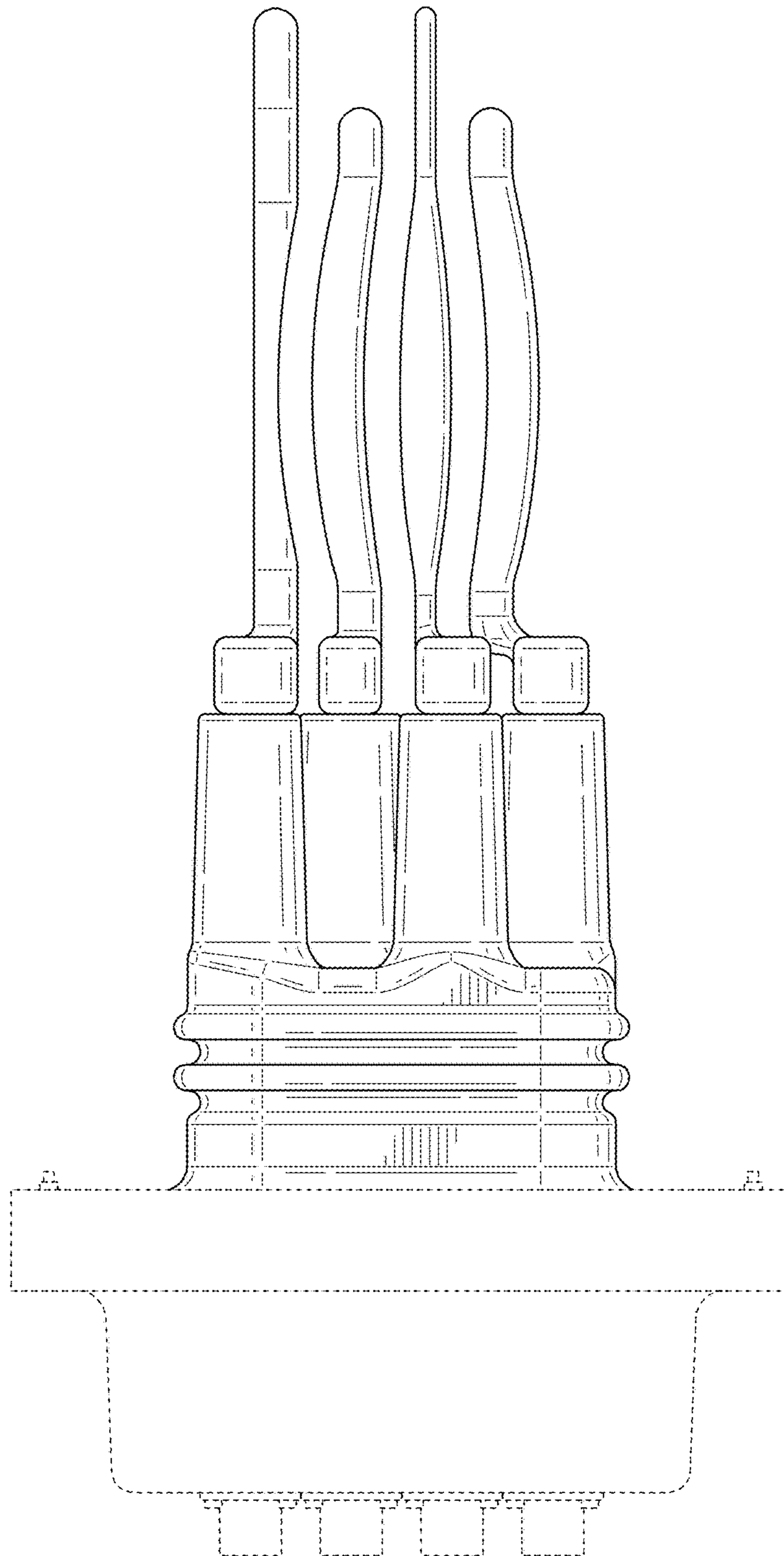


FIG. 4

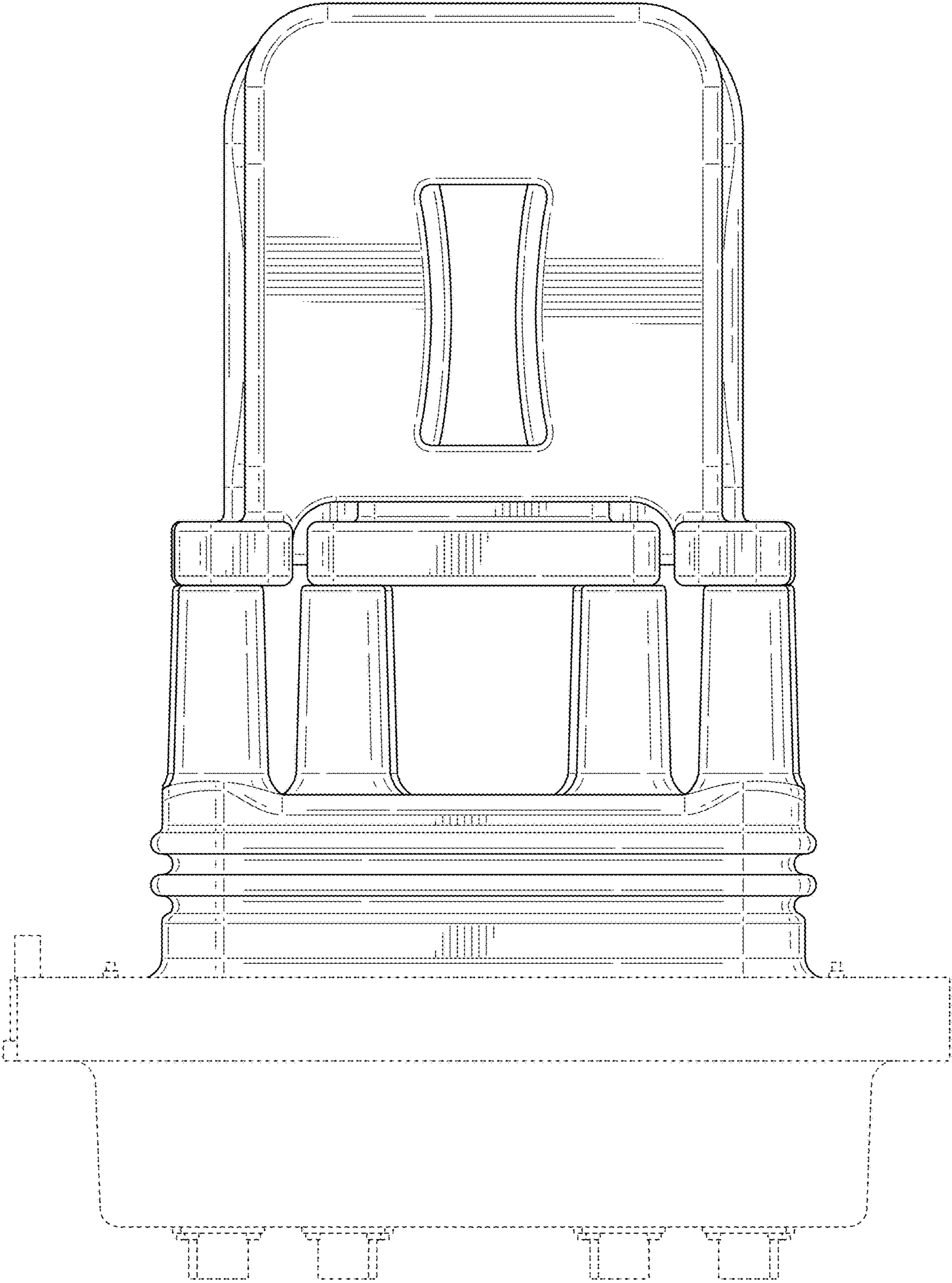


FIG. 5

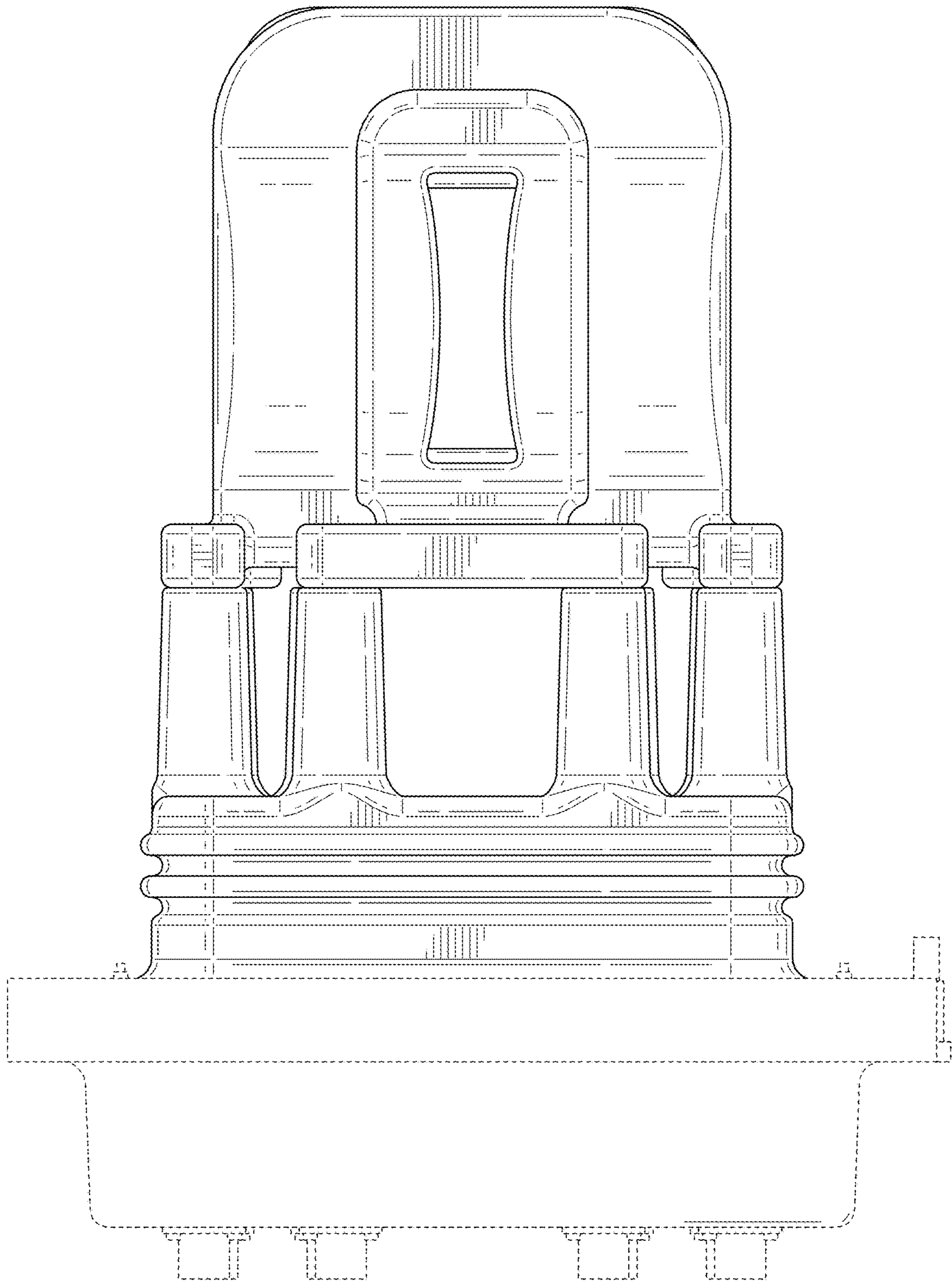


FIG. 6

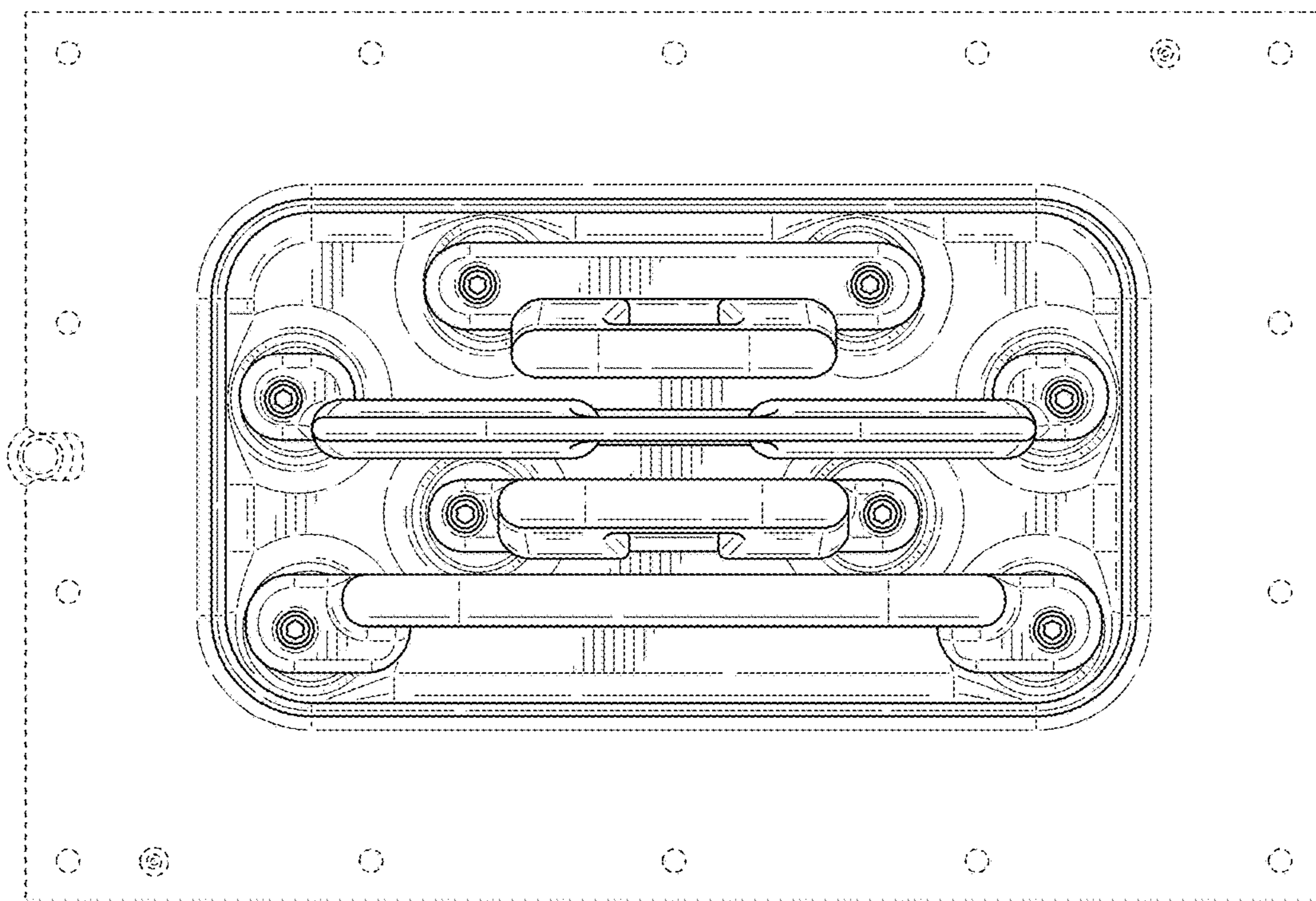


FIG. 7



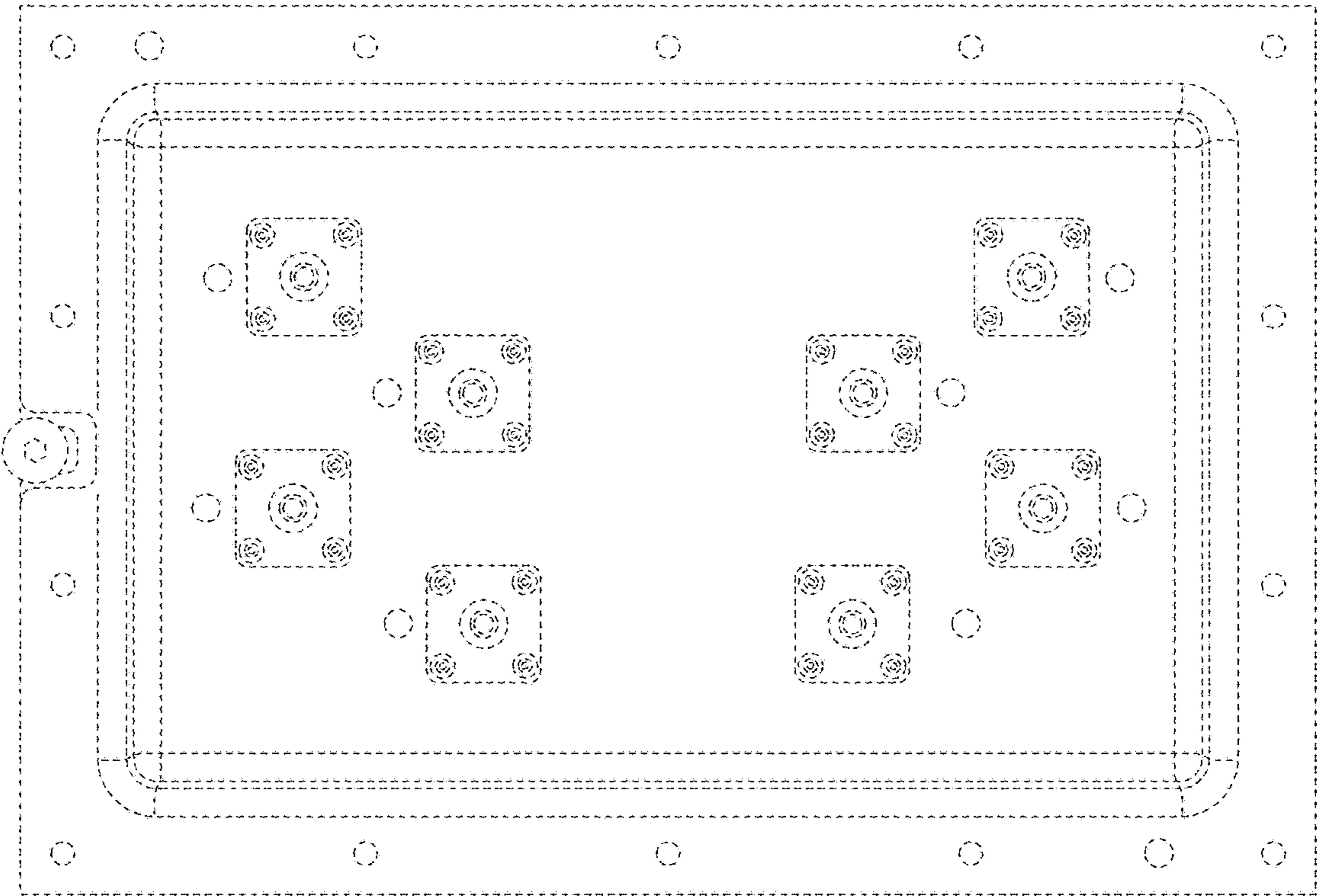


FIG. 8