



US00D832993S

(12) **United States Design Patent** (10) **Patent No.:** **US D832,993 S**
Peia (45) **Date of Patent:** **** *Nov. 6, 2018**

(54) **FAN HOUSING**

(75) Inventor: **Rodica Peia**, Zimmern Ob Rottweil (DE)

(73) Assignee: **EBM-PAPST ST. GEORGEN GmbH & Co. KG**, St. Georgen (DE)

(*) Notice: This patent is subject to a terminal disclaimer.

(**) Term: **14 Years**

(21) Appl. No.: **29/364,282**

(22) Filed: **Jun. 21, 2010**

Related U.S. Application Data

(62) Division of application No. 29/340,006, filed on Jul. 13, 2009, now Pat. No. Des. 621,027.

(30) **Foreign Application Priority Data**

Jan. 14, 2009 (EM) 001 075 279

(51) **LOC (11) Cl.** **23-04**

(52) **U.S. Cl.**
USPC **D23/411**

(58) **Field of Classification Search**
USPC D23/370, 411; 415/208.2, 203
See application file for complete search history.

(56) **References Cited**

U.S. PATENT DOCUMENTS

D621,027 S * 8/2010 Peia D23/411

* cited by examiner

Primary Examiner — Lisa Lichtenstein

(74) *Attorney, Agent, or Firm* — Milton Oliver; Oliver Intellectual Property

(57) **CLAIM**

The ornamental design for a fan housing, as shown and described.

DESCRIPTION

FIG. 1 is a perspective view of the invention, with interior fan blades omitted for ease of illustration;

FIG. 2 is a front view thereof;

FIG. 3 is a rear view thereof;

FIG. 4 is a view looking from the right side of FIG. 8;

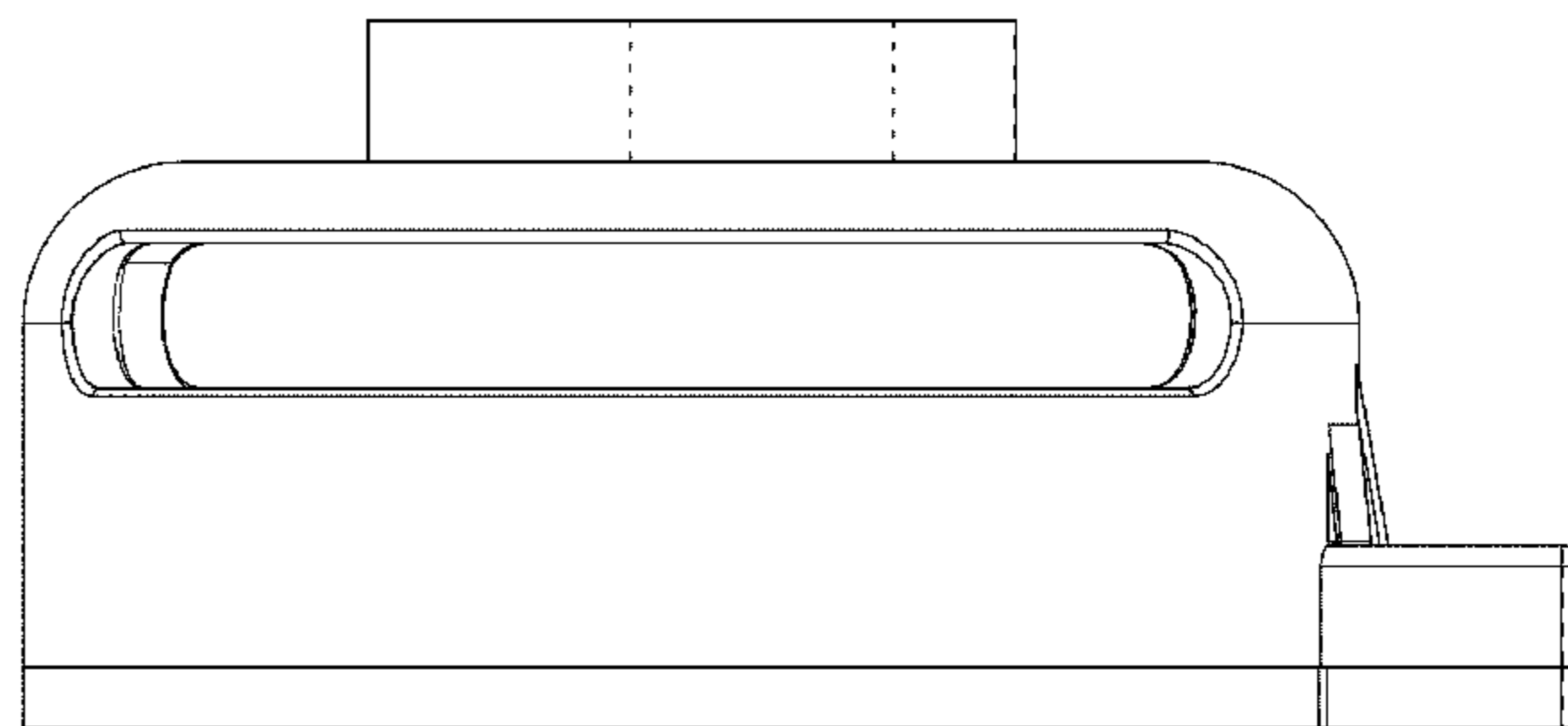
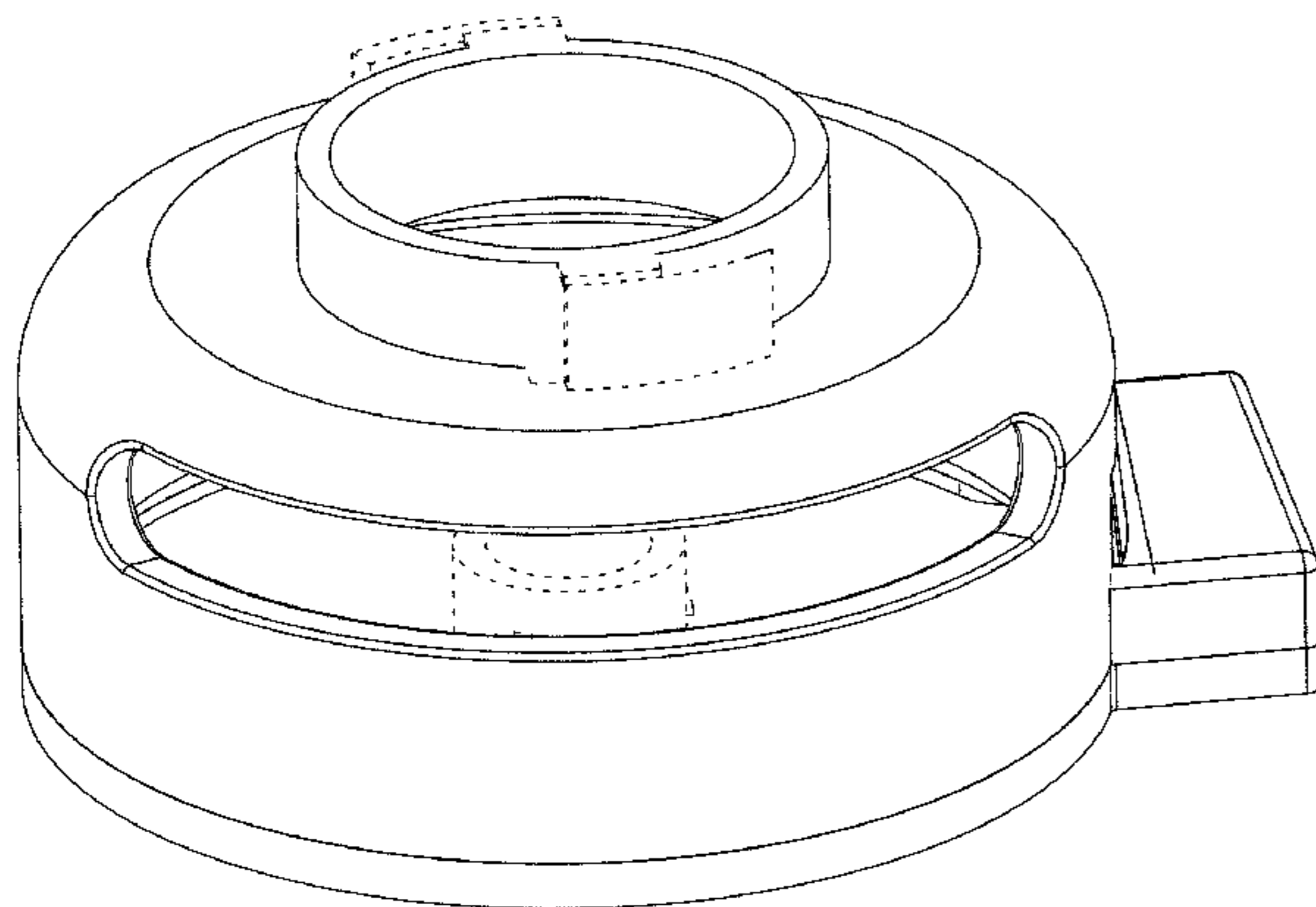
FIG. 5 is a view looking from the left side of FIG. 8;

FIG. 6 is a top view; and,

FIG. 7 is a bottom view.

The broken line showing of the attachment member and other portions is included for the purpose of illustrating environmental structure and forms no part of the claimed design.

1 Claim, 7 Drawing Sheets



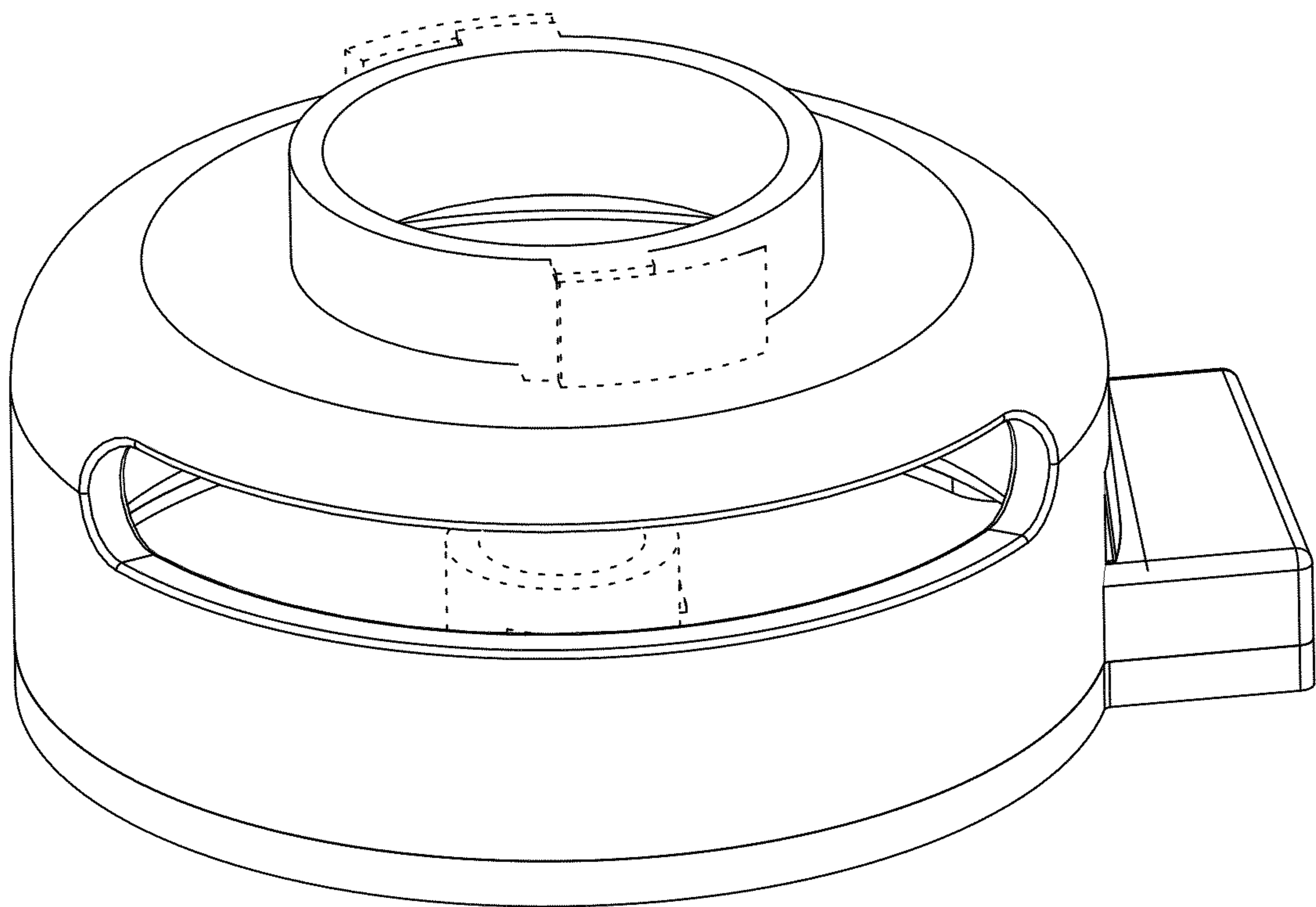


FIG. 1

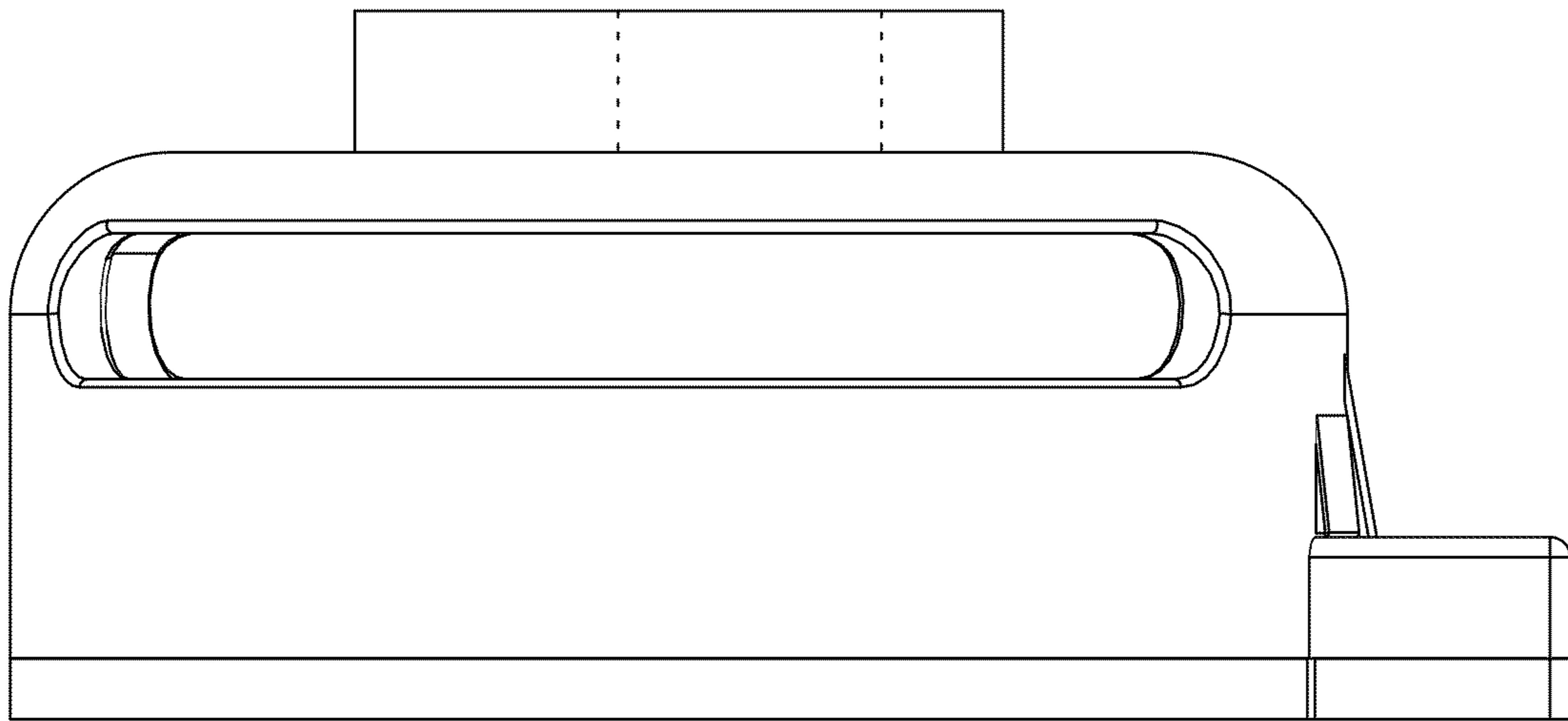


FIG. 2

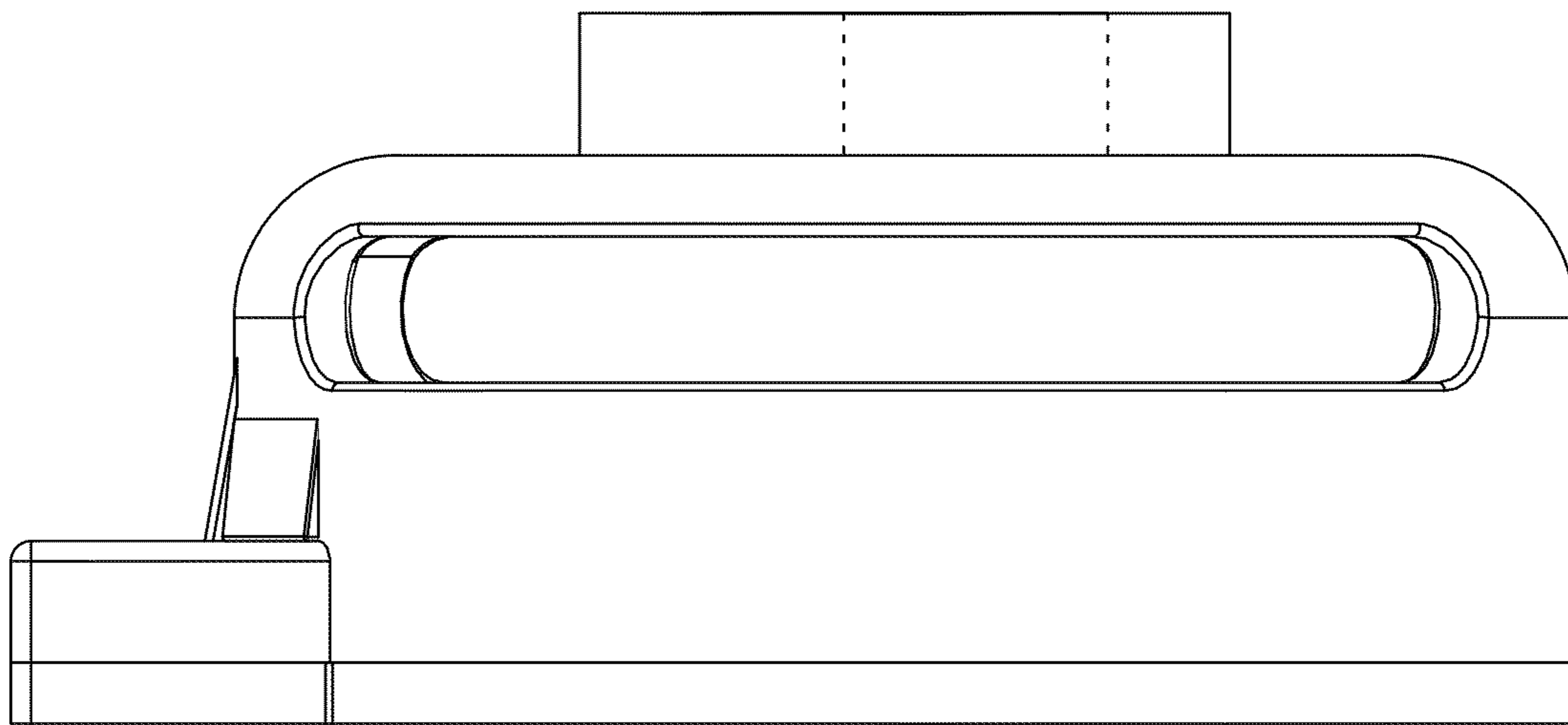


FIG. 3

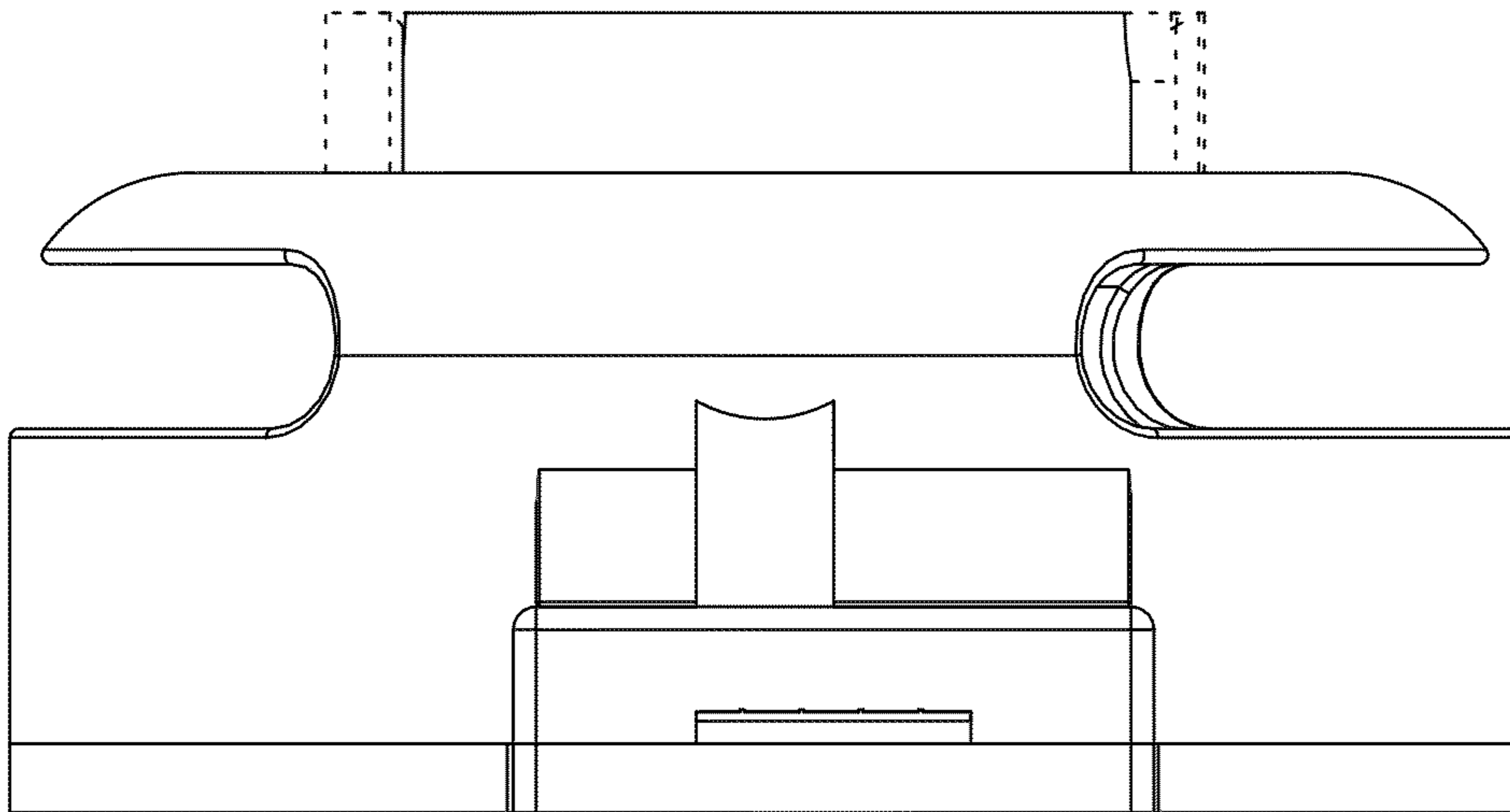


FIG. 4

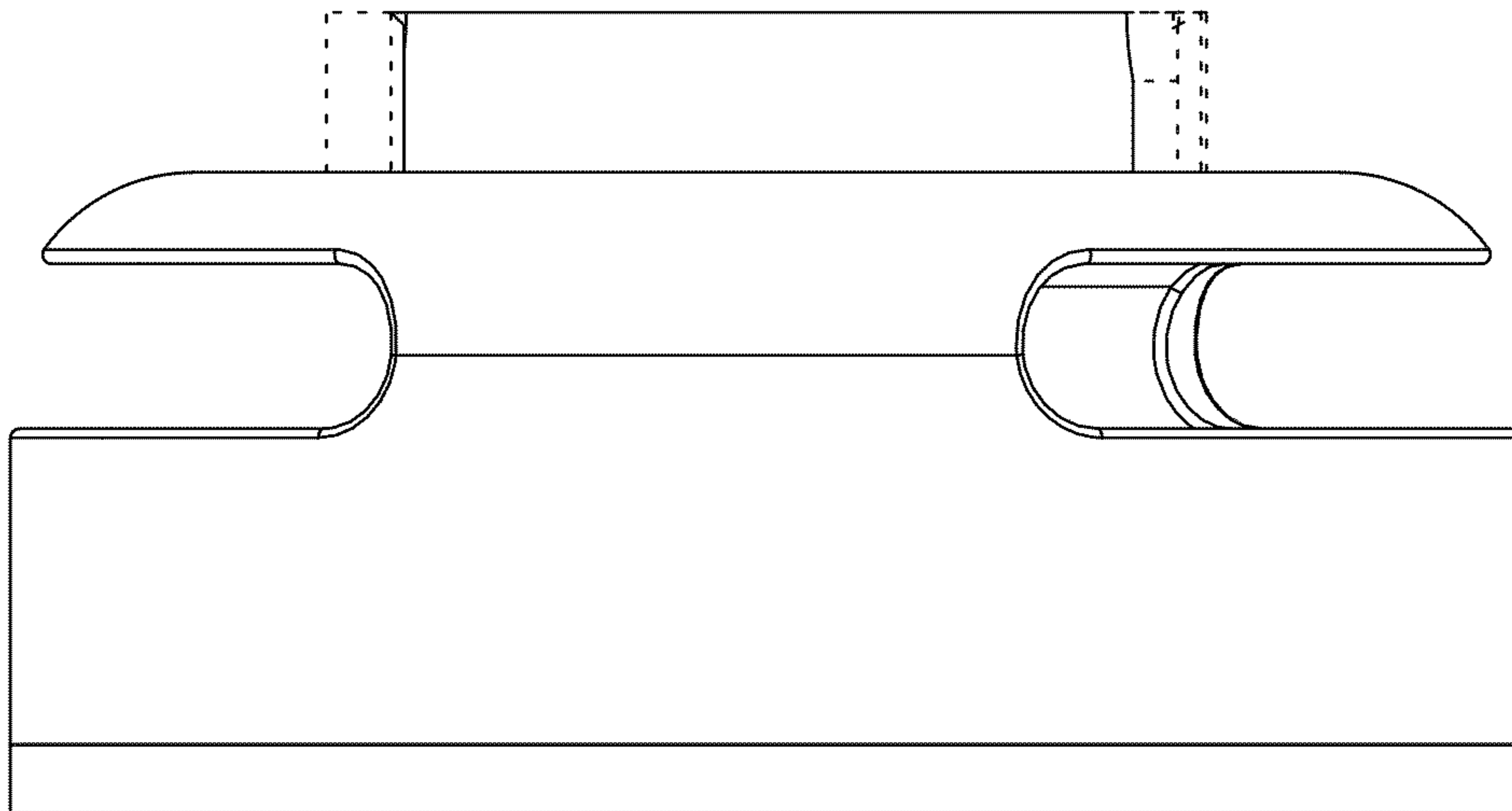


FIG. 5

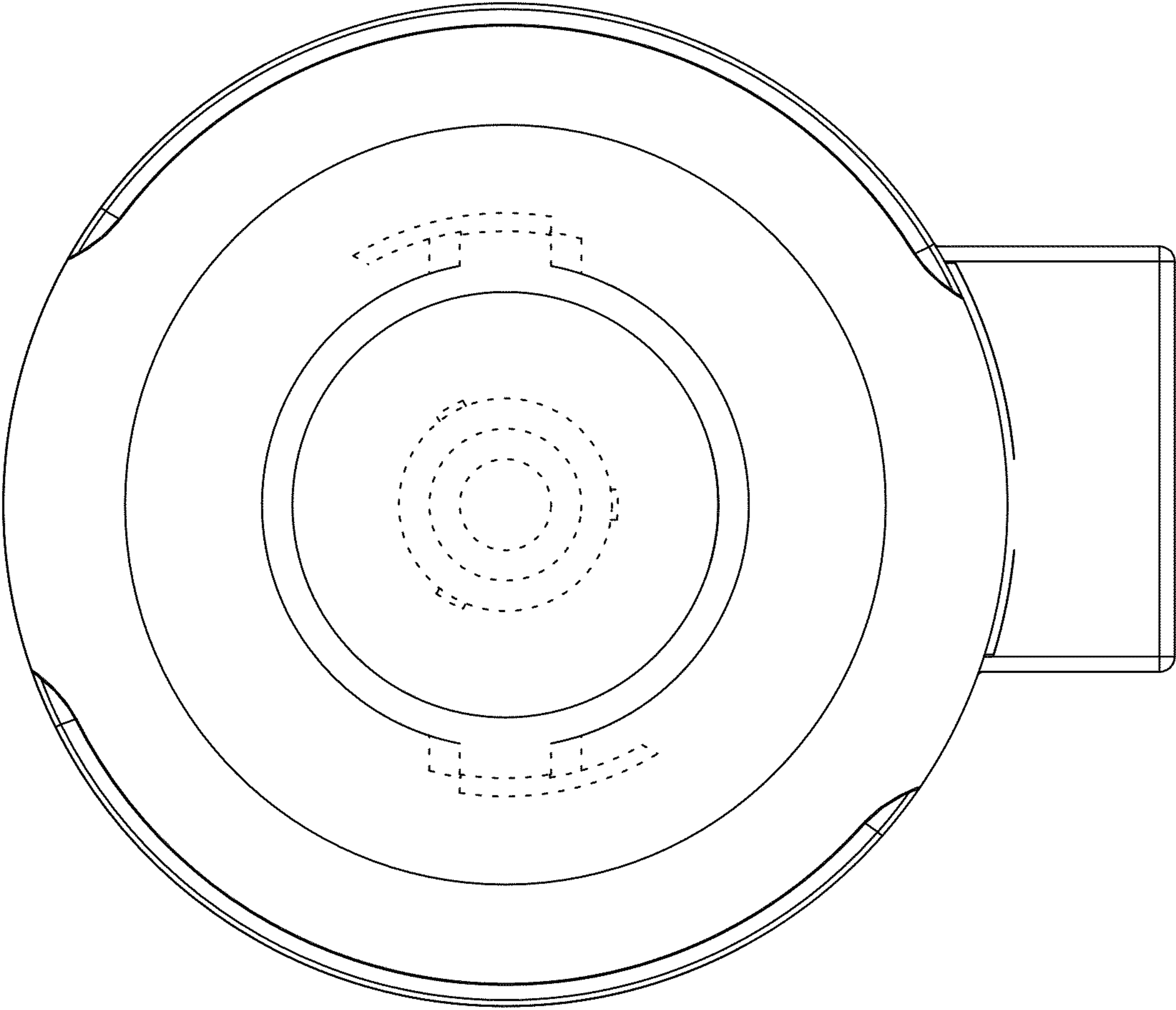


FIG. 6

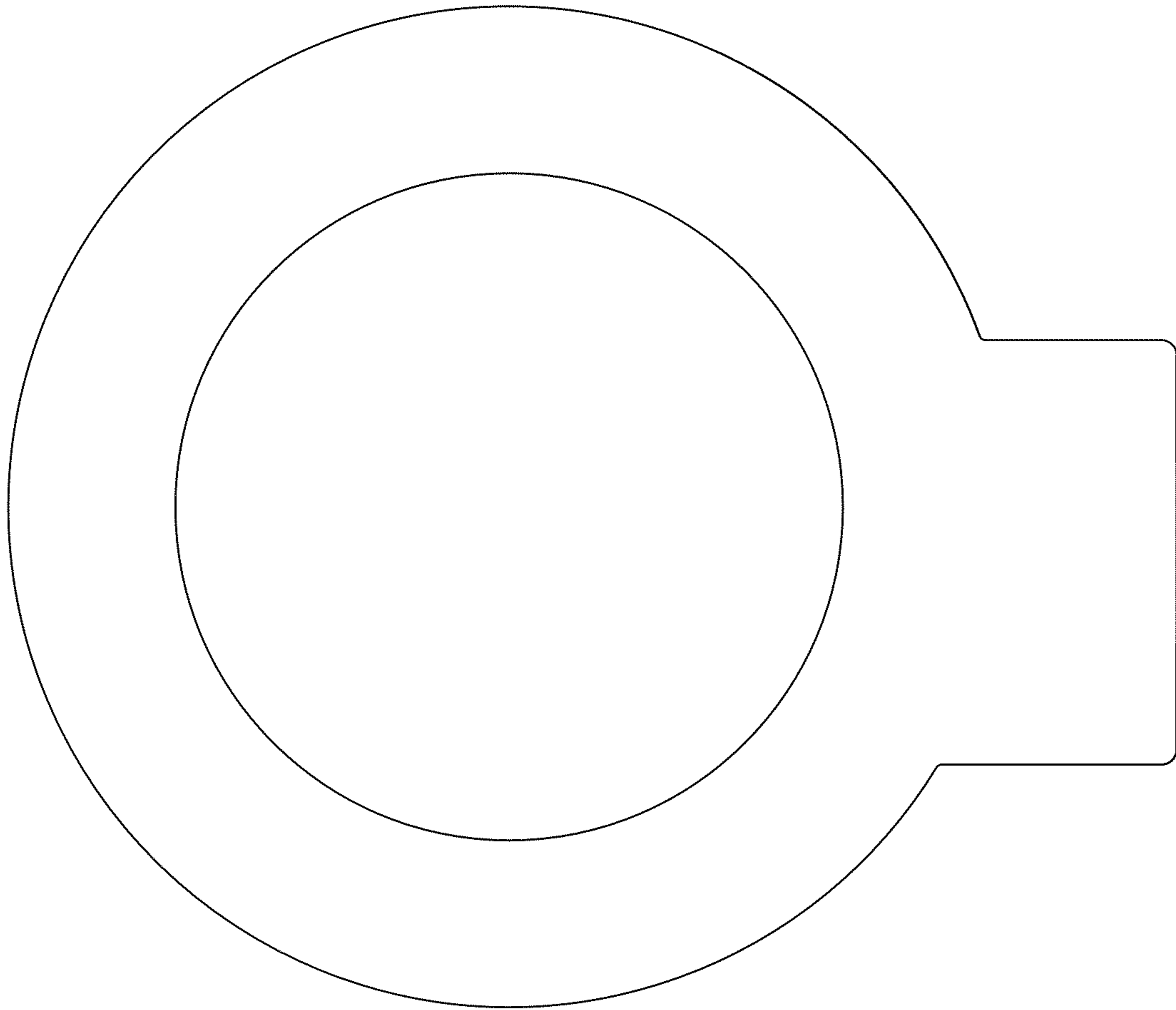


FIG. 7