



US00D832990S

(12) **United States Design Patent**
Schulzman

(10) **Patent No.:** **US D832,990 S**

(45) **Date of Patent:** **** Nov. 6, 2018**

(54) **CEILING FAN**

(71) Applicant: **Minka Lighting, Inc.**, Corona, CA
(US)

(72) Inventor: **Kurt Schulzman**, Long Beach, CA
(US)

(73) Assignee: **Minka Lighting, Inc.**, Corona, CA
(US)

(**) Term: **15 Years**

(21) Appl. No.: **29/632,105**

(22) Filed: **Jan. 5, 2018**

Related U.S. Application Data

(63) Continuation-in-part of application No. 29/590,077,
filed on Jan. 6, 2017.

(51) **LOC (11) Cl.** **23-04**

(52) **U.S. Cl.**
USPC **D23/377**

(58) **Field of Classification Search**
USPC D23/370, 377, 379, 385, 411; D26/59
CPC F04D 25/088; F04D 25/06; F04D 29/00;
F24F 7/00; F04B 17/00; H02K 11/001
See application file for complete search history.

(56) **References Cited**

U.S. PATENT DOCUMENTS

D607,988 S * 1/2010 Oleson D23/377
D663,829 S * 7/2012 Allen D23/377
8,753,081 B2 * 6/2014 Aynsley F04D 25/088
416/236 R

D715,917 S * 10/2014 Hidalgo D23/377
D717,935 S * 11/2014 Strecker D23/377
D778,422 S * 2/2017 Gajewski D23/377
D785,155 S * 4/2017 Wang D23/377
D788,283 S * 5/2017 Busta D23/377
D795,412 S * 8/2017 Schulzman D23/377
D799,665 S * 10/2017 Wang D23/377
D799,668 S * 10/2017 Wang D23/377
D801,515 S * 10/2017 Wang D23/411
D802,114 S * 11/2017 Busta D23/377
D814,622 S * 4/2018 Gajewski D23/377
D817,472 S * 5/2018 Schulzman D23/377
2009/0208333 A1 * 8/2009 Smith F04D 25/088
416/5
2010/0278637 A1 * 11/2010 Oleson F04D 25/088
415/121.3

* cited by examiner

Primary Examiner — Janice Hallmark

(74) *Attorney, Agent, or Firm* — Baker & McKenzie LLP

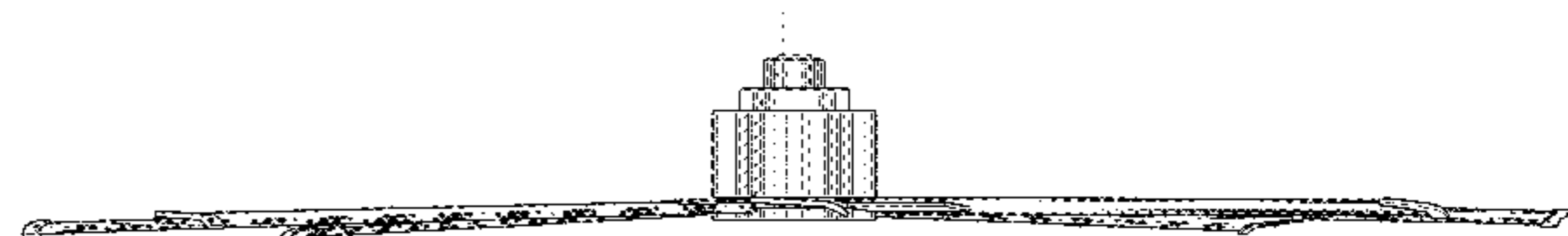
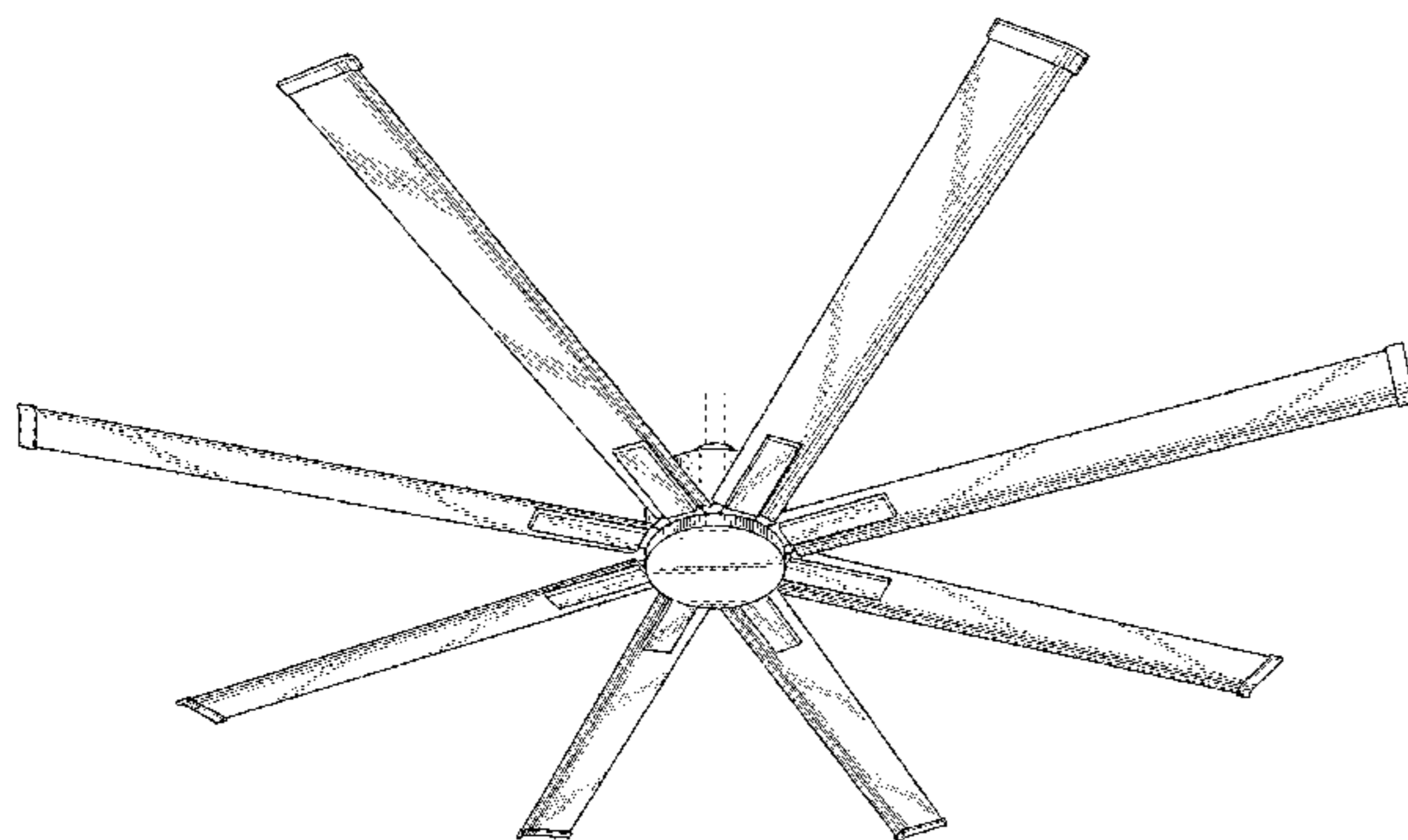
(57) **CLAIM**

The ornamental design for a ceiling fan, as shown and described.

DESCRIPTION

FIG. 1 is a perspective view of a ceiling fan in accordance with my design;
FIG. 2 is a top plan view thereof;
FIG. 3 is a bottom plan view thereof;
FIG. 4 is a left-side elevation view thereof, the opposite side being a mirror image of that shown; and,
FIG. 5 is a front elevation view thereof, the opposite side being a mirror image of that shown.
The broken lines in the drawings illustrate portions of the ceiling fan that form no part of the claimed design.

1 Claim, 4 Drawing Sheets



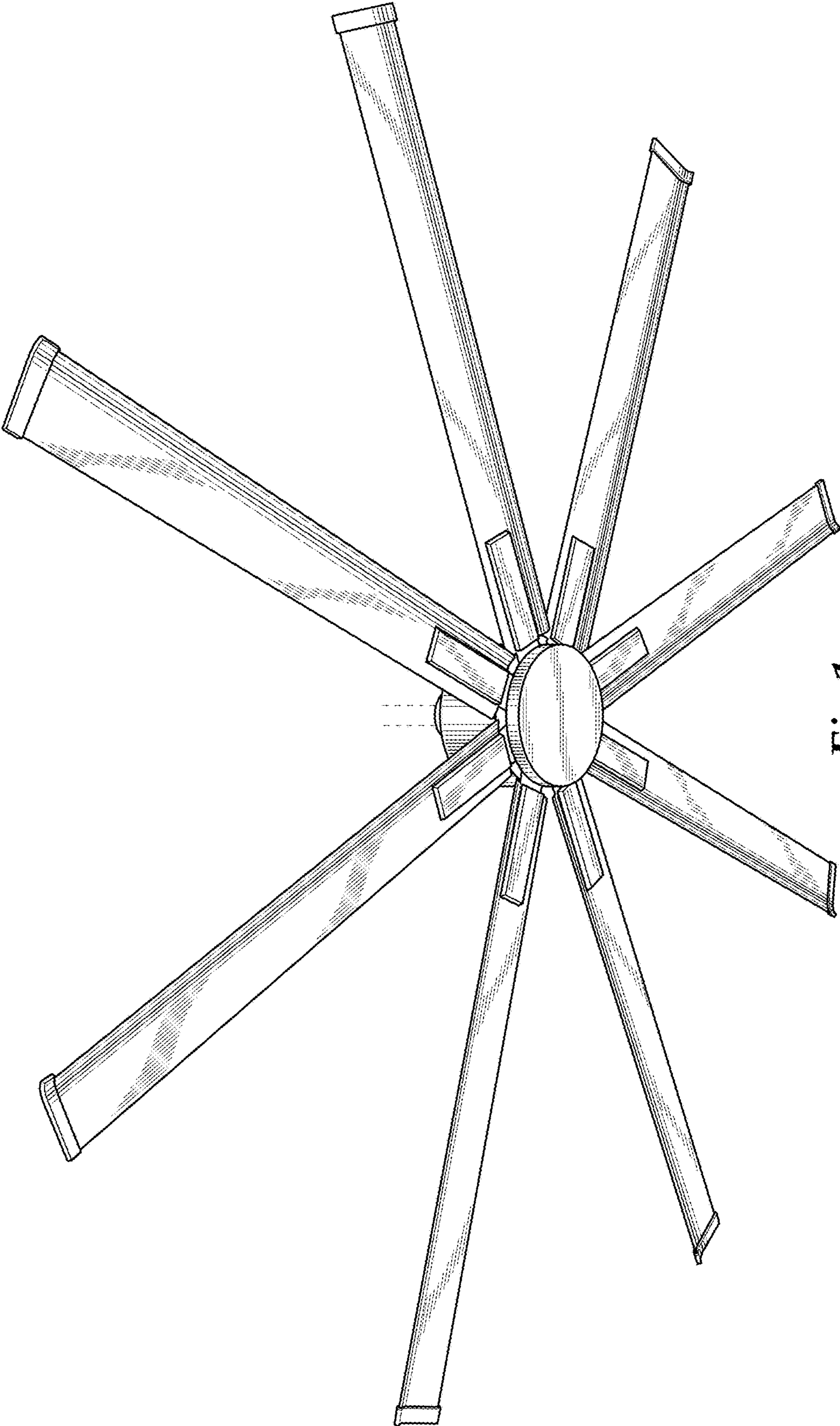


Fig.1

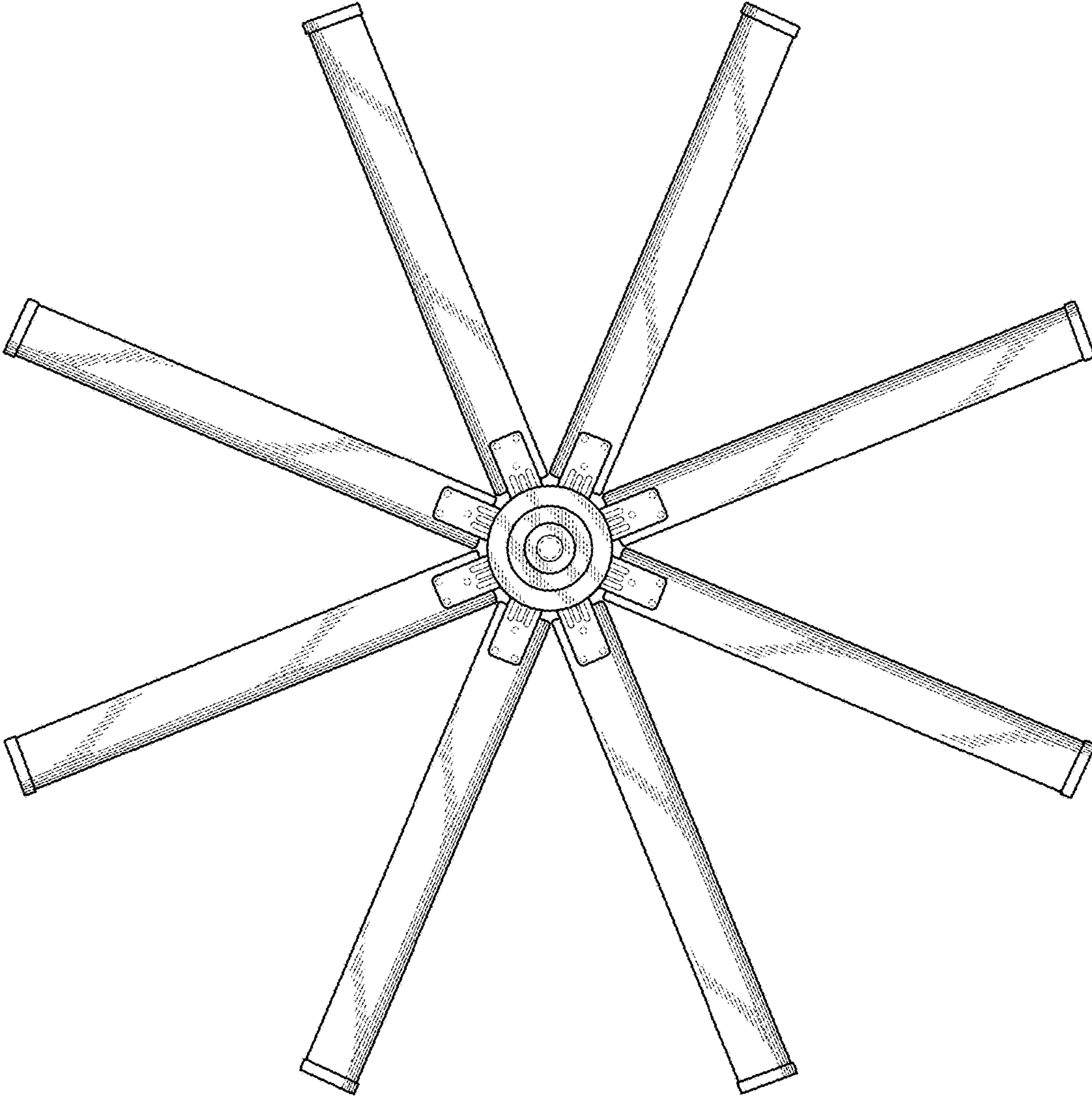


Fig.2

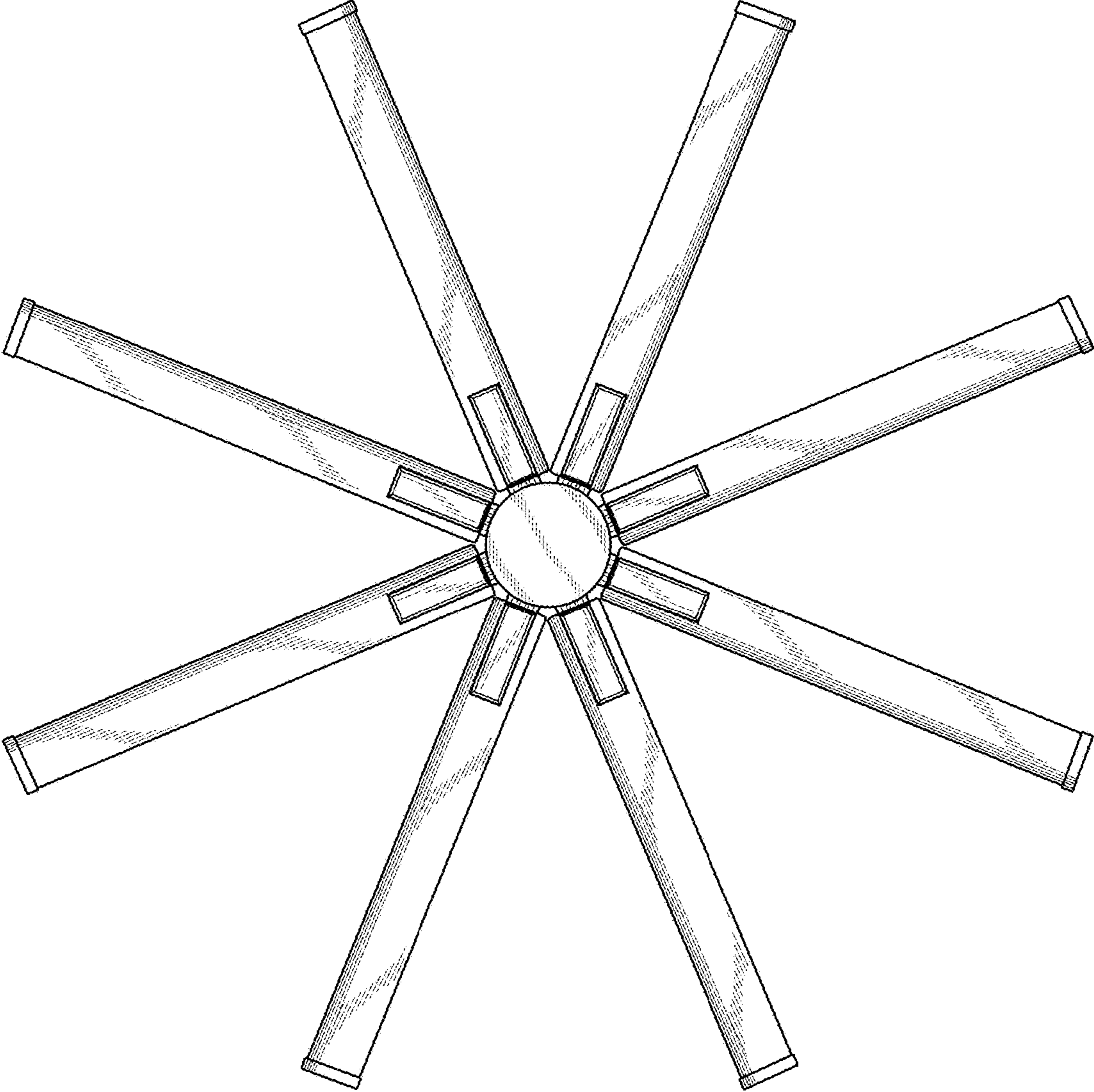


Fig.3

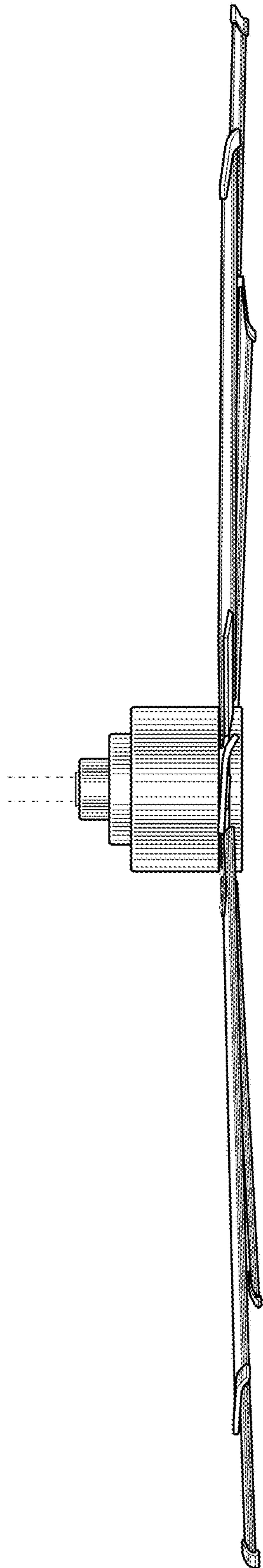


Fig. 4

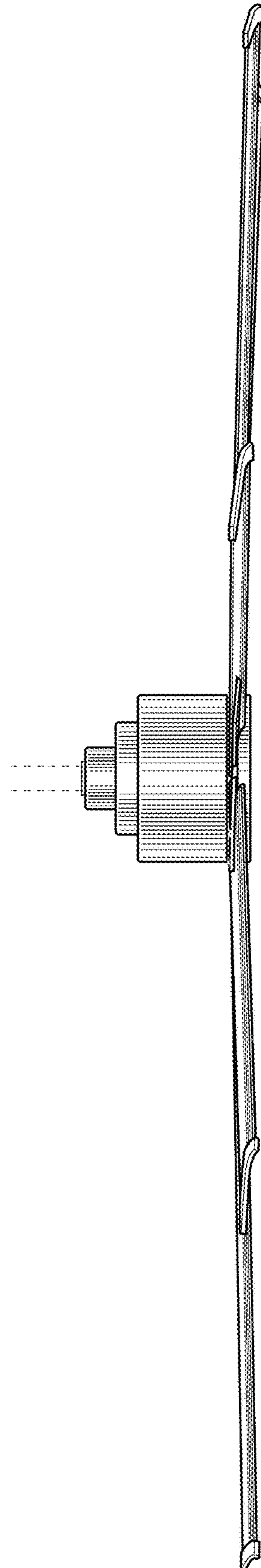


Fig. 5